

- Compliant with EN 60309-1 and -2
- Enclosure, insert and locking ring in insulating, thermoplastic, self-extinguishing material
- PE...SM types (IP44), enclosure colour coded according to operating voltage, top entry with threaded grommet (replaceable with cable gland)
- PEW...SM types (IP67), RAL 7035 grey enclosure, locking ring with gasket colour coded according to operating voltage, top entry with cable gland
- Terminals with retained screws
- 63A, 125A: with pilot contact
- Nickel-plated contacts, available on request for 16A and 32A (standard on 63A and 125A)\*\*
- 125A: with terminal block for the anchoring of incoming cables, already connected to socket
- IP44 and IP67 degrees of protection (EN 60529)
- With Italian Quality Mark

**16A**  
IP44 degree of protection



**32A**  
IP44 degree of protection



Number of poles	Frequency Hz	Voltage V	Earthing contact position h	Part No.	Colour	Part No.	Colour	
2P+⊕	50 and 60	100 - 130	4	PE 1643 SM		PE 3243 SM		
	50 and 60	200 - 250	6	PE 1663 SM		PE 3263 SM		
	50 and 60	380 - 415	9	PE 1693 SM		PE 3293 SM		
	50 and 60	480 - 500	7	PE 1673 SM		PE 3273 SM		
	50 and 60	ins. transformer	12	PE 16123 SM	A.V.	PE 32123 SM	A.V.	
	> 300 - 500	> 50	2	PE 1623 SM		PE 3223 SM		
	d.c.	> 50 - 250	3	PE 1633 SM	A.V.	PE 3233 SM	A.V.	
	d.c.	> 250	8	PE 1683 SM	A.V.	PE 3283 SM	A.V.	
	3P+⊕	50 and 60	100 - 130	4	PE 1644 SM		PE 3244 SM	
		50 and 60	200 - 250	9	PE 1694 SM		PE 3294 SM	
50 and 60		380 - 415	6	PE 1664 SM		PE 3264 SM		
60		440 - 460	11	PE 16114 SM		PE 32114 SM		
50 and 60		480 - 500	7	PE 1674 SM		PE 3274 SM		
50 and 60		600 - 690	5	PE 1654 SM		PE 3254 SM		
50		380	3	PE 1634 SM		PE 3234 SM		
60		440	3	PE 1634 SM		PE 3234 SM		
100 - 300		> 50	10	PE 16104 SM		PE 32104 SM		
> 300 - 500		> 50	2	PE 1624 SM		PE 3224 SM		
3P+N+⊕		50 and 60	57/100 - 75/130	4	PE 1645 SM		PE 3245 SM	
		50 and 60	120/208 - 144/250	9	PE 1695 SM		PE 3295 SM	
	50 and 60	200/346 - 240/415	6	PE 1665 SM		PE 3265 SM		
	50 and 60	277/480 - 288/500	7	PE 1675 SM		PE 3275 SM		
	50 and 60	347/600 - 400/690	5	PE 1655 SM		PE 3255 SM		
	60	250/440 - 265/460	11	PE 16115 SM		PE 32115 SM		
	50	220/380	3	PE 1635 SM		PE 3235 SM		
	60	250/440	3	PE 1635 SM		PE 3235 SM		
	> 300 - 500	> 50	2	PE 1625 SM		PE 3225 SM		

**Legend**

A.V. = Colour according to voltage

(\*) Green may be used together with the colour of the operating range for frequencies above 60 Hz and up to a maximum of 500 Hz.

(\*\*) For the code of products with nickel-plated contacts (socket holes, plug pins), add "N" to the pre-code of the corresponding standard product code; for example: PE becomes PEN and PEW becomes PEWN.

Accessories for IP67 plugs (optional)

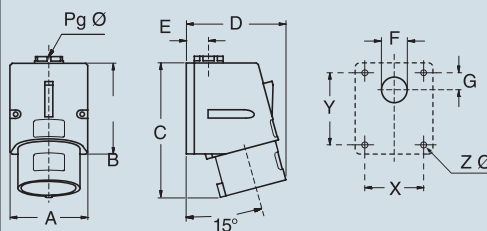


Loose protective cover

Size	Polarity	Part No.
16A	2P+⊕	PEW 163 CS
16A	3P+⊕	PEW 164 CS
16A	3P+N+⊕	PEW 165 CS
32A	2/3P+⊕	PEW 324 CS
32A	3P+N+⊕	PEW 325 CS
63A	All	PEW 63 CS
125A	All	PEW 125 CS

Dimensions in mm

(16 / 32A) PE ... SM



PE...SM	A	B	C	D	E	F	G	X	Y	Z	Ø	Pg Ø
16A	2P+⊕	70	82	115	75	20	23	16	53	65	4.5	16
	3P+⊕	70	82	117	75	20	23	16	53	65	4.5	16
	3P+N+⊕	70	82	121	90	20	23	16	53	65	4.5	16
32A	2P+⊕	86	104	145	95	24	29	17	61	79	6.5	21
	3P+⊕	86	104	145	95	24	29	17	61	79	6.5	21
	3P+N+⊕	86	104	147	95	24	29	17	61	79	6.5	21

Dimensions indicated are not binding and may be changed without prior notice.

# PEW...SM wall-mounting plugs, low voltage from over 50V up to 690V



**16A**  
IP67 degree of protection



**32A**  
IP67 degree of protection



**63A**  
IP67 degree of protection



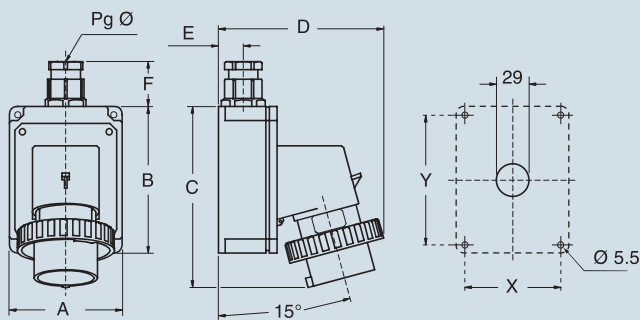
**125A**  
IP67 degree of protection



Part No.	Colour	Part No.	Colour	Part No.	Colour	Part No.	Colour
PEW 1643 SM ⊕	Yellow	PEW 3243 SM ⊕	Yellow	PEW 6343 SM ⊕	Yellow	PEW 12543 SM ⊕	Yellow
PEW 1663 SM ⊕	Blue	PEW 3263 SM ⊕	Blue	PEW 6363 SM ⊕	Blue	PEW 12563 SM ⊕	Blue
PEW 1693 SM ⊕	Red	PEW 3293 SM ⊕	Red	PEW 6393 SM ⊕	Red	PEW 12593 SM ⊕	Red
PEW 1673 SM ⊕	Black	PEW 3273 SM ⊕	Black	PEW 6373 SM ⊕	Black	PEW 12573 SM ⊕	Black
PEW 16123 SM ⊕	A.V.	PEW 32123 SM ⊕	A.V.	PEW 63123 SM ⊕	A.V.	PEW 125123 SM ⊕	A.V.
PEW 1623 SM ⊕	(+)	PEW 3223 SM ⊕	(+)				
PEW 1633 SM ⊕	A.V.	PEW 3233 SM ⊕	A.V.	PEW 6333 SM	A.V.	PEW 12533 SM	A.V.
PEW 1683 SM	A.V.	PEW 3283 SM	A.V.	PEW 6383 SM	A.V.	PEW 12583 SM	A.V.
PEW 1644 SM ⊕	Yellow	PEW 3244 SM ⊕	Yellow	PEW 6344 SM ⊕	Yellow	PEW 12544 SM ⊕	Yellow
PEW 1694 SM ⊕	Blue	PEW 3294 SM ⊕	Blue	PEW 6394 SM ⊕	Blue	PEW 12594 SM ⊕	Blue
PEW 1664 SM ⊕	Red	PEW 3264 SM ⊕	Red	PEW 6364 SM ⊕	Red	PEW 12564 SM ⊕	Red
PEW 16114 SM ⊕	Red	PEW 32114 SM ⊕	Red	PEW 63114 SM ⊕	Red	PEW 125114 SM ⊕	Red
PEW 1674 SM ⊕	Black	PEW 3274 SM ⊕	Black	PEW 6374 SM ⊕	Black	PEW 12574 SM ⊕	Black
PEW 1654 SM	Black	PEW 3254 SM	Black	PEW 6354 SM	Black	PEW 12554 SM	Black
PEW 1634 SM ⊕	Red	PEW 3234 SM ⊕	Red				
PEW 1634 SM ⊕	Red	PEW 3234 SM ⊕	Red				
PEW 16104 SM ⊕	(+)	PEW 32104 SM ⊕	(+)				
PEW 1624 SM ⊕	(+)	PEW 3224 SM ⊕	(+)				
PEW 1645 SM ⊕	Yellow	PEW 3245 SM ⊕	Yellow	PEW 6345 SM ⊕	Yellow	PEW 12545 SM ⊕	Yellow
PEW 1695 SM ⊕	Blue	PEW 3295 SM ⊕	Blue	PEW 6395 SM ⊕	Blue	PEW 12595 SM ⊕	Blue
PEW 1665 SM ⊕	Red	PEW 3265 SM ⊕	Red	PEW 6365 SM ⊕	Red	PEW 12565 SM ⊕	Red
PEW 1675 SM ⊕	Black	PEW 3275 SM ⊕	Black	PEW 6375 SM ⊕	Black	PEW 12575 SM ⊕	Black
PEW 1655 SM	Black	PEW 3255 SM	Black	PEW 6355 SM	Black	PEW 12555 SM	Black
PEW 16115 SM ⊕	Red	PEW 32115 SM ⊕	Red	PEW 63115 SM ⊕	Red	PEW 125115 SM ⊕	Red
PEW 1635 SM ⊕	Red	PEW 3235 SM ⊕	Red				
PEW 1635 SM ⊕	Red	PEW 3235 SM ⊕	Red				
PEW 1625 SM ⊕	(+)	PEW 3225 SM ⊕	(+)				

Dimensions in mm

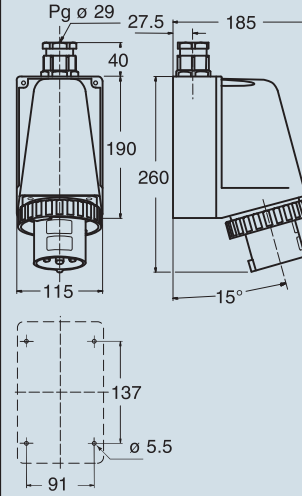
(16 / 32A) PEW ... SM



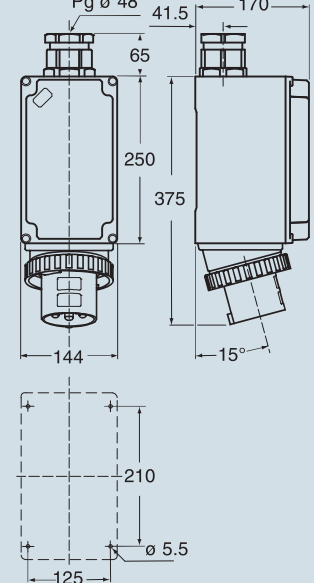
PEW...SM	A	B	C	D	E	F	X	Y	Pg ø	
16A	2P+⊕	75	115	144	126	19	35	65	105	16
	3P+⊕	75	115	144	134	19	35	65	105	16
	3P+N+⊕	100	130	164	145	22	42	85	115	21
32A	2P+⊕	100	130	178	154	22	42	85	115	21
	3P+⊕	100	130	178	154	22	42	85	115	21
	3P+N+⊕	100	130	178	160	22	42	85	115	21

Dimensions in mm

(63A) PEW ... SM



(125A) PEW ... SM



PEW...SM