

- Compliant with EN 60309-1 and -2
- Enclosure, insert and spring lid in insulating, thermoplastic, self-extinguishing material
- RAL 7035 grey enclosure, spring lid colour coded according to the operating voltage
- PE...PP types (IP44), spring lid, entry with threaded grommet (replaceable with a cable gland)
- PEW...PP types (IP67), spring lid with locking ring and gasket, entry with cable gland
- Terminals with retained screws
- 63A, 125A: with pilot contact
- Nickel-plated contacts, available on request for 16A and 32A (standard on 63A and 125A)\*\*
- 125A: with terminal block for the anchoring of incoming cables, already connected to socket
- IP44 and IP67 degree of protection (EN 60529)
- With Italian Quality Mark

**16A**  
IP44 degree of protection



**32A**  
IP44 degree of protection



Poles	Frequency Hz	Voltage V	Earthing contact position h	Part No.	Colour	Part No.	Colour	
2P+	50 and 60	100 - 130	4	PE 1643 PP		PE 3243 PP		
	50 and 60	200 - 250	6	PE 1663 PP		PE 3263 PP		
	50 and 60	380 - 415	9	PE 1693 PP		PE 3293 PP		
	50 and 60	480 - 500	7	PE 1673 PP		PE 3273 PP		
	50 and 60	ins. transformer	12	PE 16123 PP	A.V.	PE 32123 PP	A.V.	
	> 300 - 500	> 50	2	PE 1623 PP		PE 3223 PP		
	d.c.	> 50 - 250	3	PE 1633 PP	A.V.	PE 3233 PP	A.V.	
	d.c.	> 250	8	PE 1683 PP	A.V.	PE 3283 PP	A.V.	
	3P+	50 and 60	100 - 130	4	PE 1644 PP		PE 3244 PP	
		50 and 60	200 - 250	9	PE 1694 PP		PE 3294 PP	
50 and 60		380 - 415	6	PE 1664 PP		PE 3264 PP		
60		440 - 460	11	PE 16114 PP		PE 32114 PP		
50 and 60		480 - 500	7	PE 1674 PP		PE 3274 PP		
50 and 60		600 - 690	5	PE 1654 PP		PE 3254 PP		
50		380	3	PE 1634 PP		PE 3234 PP		
60		440	3	PE 1634 PP		PE 3234 PP		
100 - 300		> 50	10	PE 16104 PP		PE 32104 PP		
> 300 - 500		> 50	2	PE 1624 PP		PE 3224 PP		
3P+N+	50 and 60	57/100 - 75/130	4	PE 1645 PP		PE 3245 PP		
	50 and 60	120/208 - 144/250	9	PE 1695 PP		PE 3295 PP		
	50 and 60	200/346 - 240/415	6	PE 1665 PP		PE 3265 PP		
	50 and 60	277/480 - 288/500	7	PE 1675 PP		PE 3275 PP		
	50 and 60	347/600 - 400/690	5	PE 1655 PP		PE 3255 PP		
	60	250/400 - 265/460	11	PE 16115 PP		PE 32115 PP		
	50	220/380	3	PE 1635 PP		PE 3235 PP		
	60	250/440	3	PE 1635 PP		PE 3235 PP		
	> 300 - 500	> 50	2	PE 1625 PP		PE 3225 PP		

**Legend**

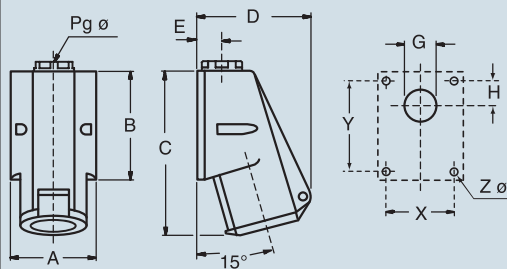
A.V. = Colour according to voltage

(\*) Green may be used together with the colour of the operating range for frequencies above 60 Hz and up to a maximum of 500 Hz.

(\*\*) For the code of products with nickel-plated contacts (socket holes, plug pins), add "N" to the pre-code of the corresponding standard product code; for example: PE becomes PEN and PEW becomes PEWN.

Dimensions in mm

**(16 / 32A) PE ... PP**



PE ... PP	A	B	C	D	E	G	H	X	Y	Pg ø	Z ø	
16A	2P+	70	82	126	92	20	Ø22	16	53	65	16	4.5
	3P+	70	82	126	92	20	Ø22	16	53	65	16	4.5
	3P+N+	70	82	126	99	13	Ø22	16	53	65	16	4.5
32A	2P+	86	104	159	110	24	Ø28	17	61	79	21	6.5
	3P+	86	104	159	110	24	Ø28	17	61	79	21	6.5
	3P+N+	86	104	159	110	24	Ø28	17	61	79	21	6.5

Dimensions indicated are not binding and may be changed without prior notice.

**16A**  
IP67 degree of protection



**32A**  
IP67 degree of protection



**63A**  
IP67 degree of protection



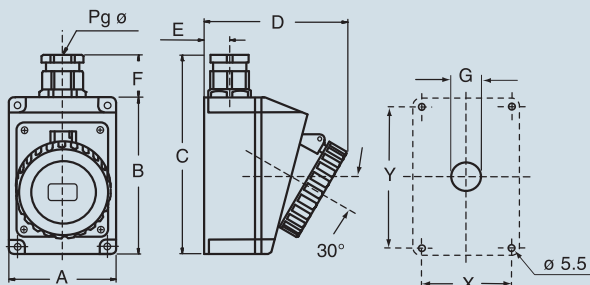
**125A**  
IP67 degree of protection



Part No.	Colour	Part No.	Colour	Part No.	Colour	Part No.	Colour
PEW 1643 PP ☉	Yellow	PEW 3243 PP ☉	Yellow	PEW 6343 PP ☉	Yellow	PEW 12543 PP ☉	Yellow
PEW 1663 PP ☉	Blue	PEW 3263 PP ☉	Blue	PEW 6363 PP ☉	Blue	PEW 12563 PP ☉	Blue
PEW 1693 PP ☉	Red	PEW 3293 PP ☉	Red	PEW 6393 PP ☉	Red	PEW 12593 PP ☉	Red
PEW 1673 PP ☉	Black	PEW 3273 PP ☉	Black	PEW 6373 PP ☉	Black	PEW 12573 PP ☉	Black
PEW 16123 PP ☉	A.V.	PEW 32123 PP ☉	A.V.	PEW 63123 PP ☉	A.V.	PEW 125123 PP ☉	A.V.
PEW 1623 PP ☉	(*)	PEW 3223 PP ☉	(*)				
PEW 1633 PP ☉	A.V.	PEW 3233 PP ☉	A.V.	PEW 6333 PP	A.V.	PEW 12533 PP	A.V.
PEW 1683 PP	A.V.	PEW 3283 PP	A.V.	PEW 6383 PP	A.V.	PEW 12583 PP	A.V.
PEW 1644 PP ☉	Yellow	PEW 3244 PP ☉	Yellow	PEW 6344 PP ☉	Yellow	PEW 12544 PP ☉	Yellow
PEW 1694 PP ☉	Blue	PEW 3294 PP ☉	Blue	PEW 6394 PP ☉	Blue	PEW 12594 PP ☉	Blue
PEW 1664 PP ☉	Red	PEW 3264 PP ☉	Red	PEW 6364 PP ☉	Red	PEW 12564 PP ☉	Red
PEW 16114 PP ☉	Red	PEW 32114 PP ☉	Red	PEW 63114 PP ☉	Red	PEW 125114 PP ☉	Red
PEW 1674 PP ☉	Black	PEW 3274 PP ☉	Black	PEW 6374 PP ☉	Black	PEW 12574 PP ☉	Black
PEW 1654 PP	Black	PEW 3254 PP	Black	PEW 6354 PP	Black	PEW 12554 PP	Black
PEW 1634 PP ☉	Red	PEW 3234 PP ☉	Red				
PEW 1634 PP ☉	Red	PEW 3234 PP ☉	Red				
PEW 16104 PP ☉	(*)	PEW 32104 PP ☉	(*)				
PEW 1624 PP ☉	(*)	PEW 3224 PP ☉	(*)				
PEW 1645 PP ☉	Yellow	PEW 3245 PP ☉	Yellow	PEW 6345 PP ☉	Yellow	PEW 12545 PP ☉	Yellow
PEW 1695 PP ☉	Blue	PEW 3295 PP ☉	Blue	PEW 6395 PP ☉	Blue	PEW 12595 PP ☉	Blue
PEW 1665 PP ☉	Red	PEW 3265 PP ☉	Red	PEW 6365 PP ☉	Red	PEW 12565 PP ☉	Red
PEW 1675 PP ☉	Black	PEW 3275 PP ☉	Black	PEW 6375 PP ☉	Black	PEW 12575 PP ☉	Black
PEW 1655 PP	Black	PEW 3255 PP	Black	PEW 6355 PP	Black	PEW 12555 PP	Black
PEW 16115 PP ☉	Red	PEW 32115 PP ☉	Red	PEW 63115 PP ☉	Red	PEW 125115 PP ☉	Red
PEW 1635 PP ☉	Red	PEW 3235 PP ☉	Red				
PEW 1635 PP ☉	Red	PEW 3235 PP ☉	Red				
PEW 1625 PP ☉	(*)	PEW 3225 PP ☉	(*)				

Dimensions in mm

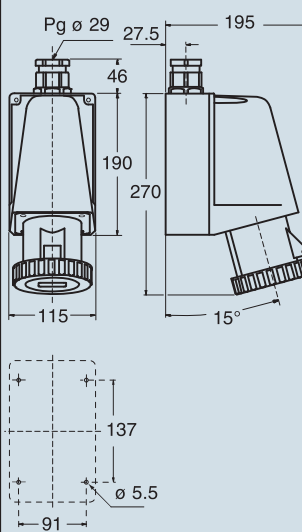
(16 / 32A) PEW ... PP



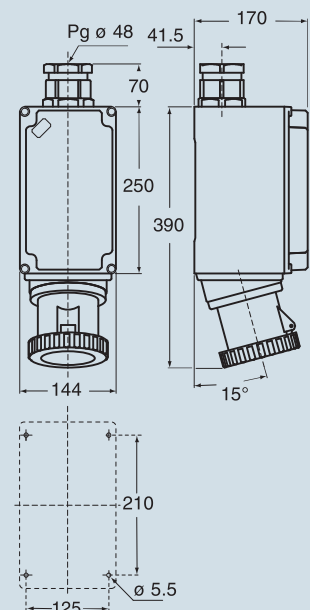
PEW ... PP	A	B	C	D	E	F	G	X	Y	Pg ø
16A 2P+☉	75	115	150	105	19	33	Ø22	65	105	16
3P+☉	75	115	150	108	19	33	Ø22	65	105	16
3P+N+☉	100	130	172	120	22	33	Ø22	85	115	21
32A 2P+☉	100	130	172	120	22	42	Ø28	85	115	21
3P+☉	100	130	172	120	22	42	Ø28	85	115	21
3P+N+☉	100	130	172	120	22	42	Ø28	85	115	21

Dimensions in mm

(63A) PEW ... PP



(125A) PEW ... PP



PEW...PP