

HYBRID GAS DENSITY MONITOR WITH CURRENT OUTPUT

Swiss based Trafag offers precise, reliable and maintenance-free instruments, developed for density monitoring of SF₆ and alternative gases. Measurement is based on the gas density reference principle or the patented quartz tuning fork technology. Hybrid monitors combine both principles in one instrument. Thus offering the most reliable solution on the market by directly measuring the gas density.



Applications

- High voltage technology
- Medium voltage technology
- SF₆ and variety of alternative mixed gases

Features

- Exact switching output at all temperatures
- No contact bouncing
- Continuous density and temperature measurement
- Long term drift free output signal
- Maintenance free

04/2021

Data sheet H72515p

Technical Data

Measuring principle	<ul style="list-style-type: none"> • Monitor: Absolute pressure reference gas measuring system • Sensor: Oscillating quartz 	Quantity of switchpoints	1 ... 3 microswitches
Measuring range	<ul style="list-style-type: none"> • Monitor: 0 ... 1100 kPa abs. @ 20°C • Sensor: 0 ... 60 kg/m³ 0 ... 1100 kPa abs. @ 20°C 	Dial	Scale and units selectable
Output signal	<ul style="list-style-type: none"> • Monitor: Floating change-over contact (SPDT) • Sensor: 6.5 ... 20 mA 	Ambient temperature	-40°C ... +80°C

Subject to change

Ordering information/type code

		878x .	XXXX	XX	XXXX	XX	XX	XX	
Custom build code	Hybrid gas density monitor with microswitches and 2-wire current output								
	One microswitch		8781						
	Two microswitches		8782						
	Three microswitches		8783						
Wire terminal block	Standard wire terminal			20					
Pressure connection	Threaded, axial and radial types				1XXX				
	Flanged and cap nut, axial and radial types				2XXX				
	Compartment immersion types ¹⁾				5XXX				
Code number	Determined by Trafag						XX		
Options	Basic density indicator dial with two colour sectors without markings							60	
	Density indicator dial with scale according to customer specification							61	
	Low pressure indicator							66	
	Process gas wetted O-rings composed of IIR							C2	
	Microswitch or combined microswitch / sensor outlet								
	EMC-cable gland M20x1.5, brass nickel-plated, for cable-ø 7 ... 12.5 [mm]							10	
	EMC-cable gland M20x1.5, brass nickel-plated, for cable-ø 8 ... 11 [mm]							07	
	EMC-cable gland M20x1.5, brass nickel-plated, for cable-ø 11 ... 14 [mm]							08	
	EMC-cable gland M25x1.5, brass nickel-plated, for cable-ø 8 ... 16 [mm]							11	
	EMC-cable gland M25x1.5, brass nickel-plated, for cable-ø 12.5 ... 20.5 [mm]							17	
	ITT Cannon connector							12	
	Blank plug M20x1.5, brass nickel-plated ²⁾							13	
	Blank plug M25x1.5, brass nickel-plated ²⁾							04	
	Blank plug M25x1.5, PA ^{2) 3)}							05	
	Separate sensor outlet								
	EMC-cable gland M20x1.5, brass nickel-plated, for cable-ø 4 ... 10 [mm]							U8	
	EMC-cable gland M20x1.5, brass nickel-plated, for cable-ø 7 ... 12.5 [mm]							U1	
	EMC-cable gland M20x1.5, brass nickel-plated, for cable-ø 8 ... 11 [mm]							U6	
	EMC-cable gland M20x1.5, brass nickel-plated, for cable-ø 11 ... 14 [mm]							U3	
	Blank plug M20x1.5, brass nickel-plated ²⁾							U2	
	Integrated test valve for DILO DN8 test port coupling with M26x1.5 protective cap								
	Standard test port orientation							W3	
	Test port orientation 180°							W0	
	Test port orientation 270°							W1	
	Test port orientation 90°							W2	
	Integrated re-filling valve for DILO DN8 filling port coupling with M26x1.5 protective cap								
	Standard filling port orientation							F3	
	Filling port orientation 180°							F0	
	Filling port orientation 270°							F1	
	Filling port orientation 90°							F2	
	Accessories	Thermal insulation for probe housing							06
		Thermal foam cover with drain holes							37
		Weather protection cover							46
Pressure connection adapter 2300 - G1/2" male								N1	

¹⁾ Requires single-cable connection by microswitch outlet²⁾ Select if EMC-cable gland is procured locally³⁾ Without IP compatibility, not for use in operation

Further customised parameterisation to be indicated

Process gas	SF ₆ , SF ₆ - based mixed gas, customer specific alternative gas
Variety of units for density dial	kPa, bar, MPa, psi (abs., rel., a, g), kg/m ² , kg/cm ² , also dual units available
Switchpoint @ 20°C ¹⁾	Microswitch 1, p= xxx
	Microswitch 2, p= xxx
	Microswitch 3, p= xxx

¹⁾ Factory setting for decreasing or increasing pressure available

Additional information

Documents	Data sheet	www.trafag.com/H72515
	Instructions	www.trafag.com/H73515
	Flyer	www.trafag.com/H71105

Specifications		
Mechanical density monitoring	Monitoring principle ¹⁾	Absolute pressure reference gas measuring system
	Monitoring range	0 ... 1100 kPa abs. @ 20°C
	Monitoring output	Floating change-over contact (SPDT)
	Quantity of switchpoints	1 ... 3 microswitches
	Monitoring accuracy	Refer to density indicator and microswitch sections
Electronical density measuring	Measuring principle ²⁾	Oscillating quartz sensor
	Density measuring range ³⁾	0 ... 60 kg/m ³ 0 ... 1100 kPa abs. @ 20°C
	Temperature measuring range	-40°C ... +80°C
	Sensor output	6.5 ... 20 mA current loop
Environmental conditions	Ambient temperature	-40°C ... +80°C
	Protection	IP65 and IP67
	Humidity	IEC 60068-2-30 (damp heat, cyclic, 100 % RH @ +55°C), membrane provides condensation compensation
	Overpressure	1300 kPa abs.
	Shock	70 g / 3 ms / 10'000 times at all axes excited on process connection without damage to instrument
	Routine inspection of gas tightness	Integral pressure testing with 6 bar rel. helium SF ₆ leakage rate less than 1·10 ⁻⁸ mbar · l/s
Mechanical data	Process gas wetted material	Process connection and measuring system: 1.4404, 1.4435, 1.4571 (AISI316L, AISI316Ti) Test and re-filling valve: 1.4404 (AISI316L), CuZn39Pb3 (C38500) Sealing: EPDM ⁴⁾ , IIR as option
	Housing	AlSi10Mg, powder coated
	Screwed cable gland	Brass nickel plated, PA as option
	Dial	Dial face and pointer: Aluminium sheet Window: PMMA
	Weight	Hybrid density monitor ~ 1000g Hybrid density monitor with integrated test or re-filling valve ~ 1100 ... 1300g

¹⁾ Depending on process gas requirements, the fully sealed reference gas chamber contains up to 0.001kg of SF₆. The relevant national regulations governing the disposal of hazardous waste apply and must be followed. Decommissioned or defective monitors can be returned to the manufacturer for disposal in a safe and environmentally appropriate manner.

²⁾ The oscillating quartz sensor principle is a direct density measurement and is fully independent from the process gas composition. Measuring range is based on density pressure correlation which is defined by the particular gas isochores and is specifically fitted. Please contact us for process gases other than 100 % SF₆.

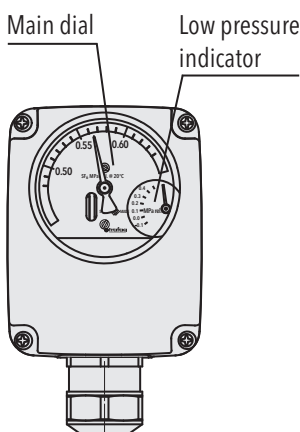
³⁾ Shown density pressure correlation corresponds to 100 % SF₆ gas. Maximum value is either 60 kg /m³ or 1100 kPa abs. @ 20°C, whichever is reached first.

⁴⁾ SF₆ qualified

Density indicator		
	Main dial	Low pressure indication option
Indicator principle	Absolute pressure, fully temperature compensated by means of sealed reference gas chamber	Indication of relative pressure. For safety reasons it is not temperature compensated
Scale	Colour sectors (standard red/yellow/green or red/green), switchpoint markings, single or dual units	Single unit, graduated range
Unit	Optional kPa, MPa, bar, psi (abs., rel., a, g), kg/m ² , kg/cm ² , customer specific units available	According to main dial unit
Numbered range	up to 180 kPa @ 20°C between lowest and highest indicated value ¹⁾	Vacuum up to lowest switchpoint, 500 kPa rel. max.
Accuracy within numbered range	± 10 kPa @ 20°C	Up to 200 kPa rel.: ± 20 kPa up to 500 kPa rel.: ± 10% MV

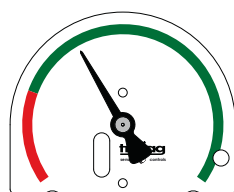
¹⁾ Typically ranges are from lock-out switchpoint to filling pressure (no high-alarm), or from lock-out switchpoint to high-alarm switchpoint

Hybrid density monitor with main dial and low pressure indicator in standard orientation (electrical connection in 6 o'clock position)

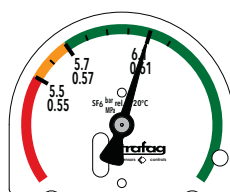


Density indicator dial according to customer specification

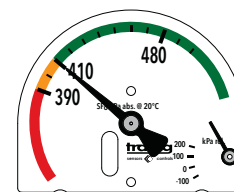
Availability of a full variety of units including dual indication
This also includes dial rotated by 90°/180°/270°



878x.XX.XXXX.XX.60.XX.XX



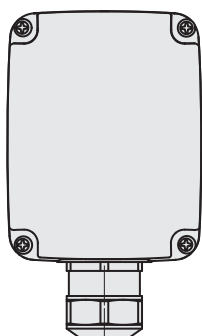
878x.XX.XXXX.XX.60.61.XX



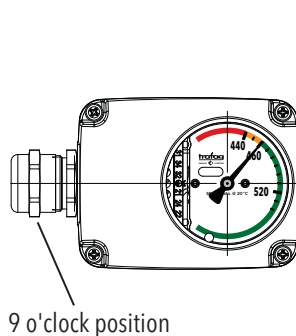
878x.XX.XXXX.XX.60.61.66.XX

Customised dial orientation based on electrical connection position

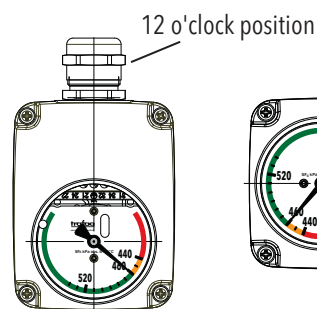
Hybrid monitor without indication



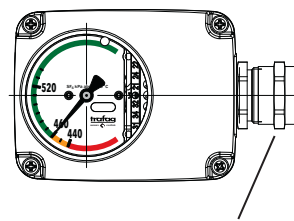
878x.XX.XXXX.XX.XX.XX



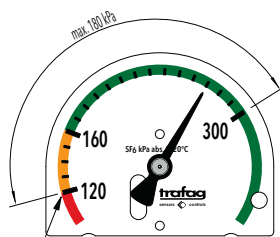
9 o'clock position



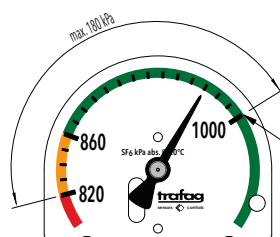
12 o'clock position



3 o'clock position



Lowest switchpoint setting: 120 kPa abs. @ 20°C
Distance from lowest to highest switchpoint: up to 180 kPa @ 20°C



Highest switchpoint setting: 1000 kPa abs. @ 20°C
Distance from lowest to highest switchpoint: up to 180 kPa @ 20°C

Microswitch and switchpoint		
Microswitch	Output signal	Floating change-over contact (SPDT)
	Resistive load (inductive load) rating	AC - 250 V 10 (1.5) A DC - 250 V 0.1 (0.05) A, 220 V 0.25 (0.2) A, 110 V 0.5 (0.3) A, 24 V 2 (1) A
	Resistance of insulation	>100 MΩ, 500 VDC, ex factory
	Dielectrical strength	2 kVAC, 50Hz, terminal to ground (earth)
	Switching cycle capacity	Up to 1 Mio. mechanical, more than 10'000 with maximum load
	Effect of vibration	4 g / 20...100 Hz effects no contact bounce at 5 kPa minimum distance from set switchpoint
Switchpoint setting	Factory adjustment	According to customer specification Standard setting is for decreasing pressure
	Lowest switchpoint setting	120 kPa abs. @ 20°C
	Highest switchpoint setting	1000 kPa abs. @ 20°C
	Distance from the lowest to the highest switchpoint ¹⁾	Up to 180 kPa @ 20°C
	Switching differential	3 ... 7 kPa typ. (15 kPa max.) if lowest to highest switchpoint distance is up to 130 kPa 5 ... 10 kPa typ. (20 kPa max.) if lowest to highest switchpoint distance is 130 ... 180 kPa

¹⁾ Distance from lock-out to high-alarm pressure, or from lock-out to filling pressure (no high-alarm)

Switchpoint accuracy				
		+20°C	-30°C ... +50°C	-40°C ... +60°C
First alarm switchpoint setting pressure abs. @ 20°C ¹⁾				
≤ 650 kPa	[kPa max.]	± 8	± 10	± 12
> 650 kPa	[kPa max.]	± 8	± 12	± 14
High pressure alarm ^{1) 2)}	[kPa max.]	± 10	± 16	± 20

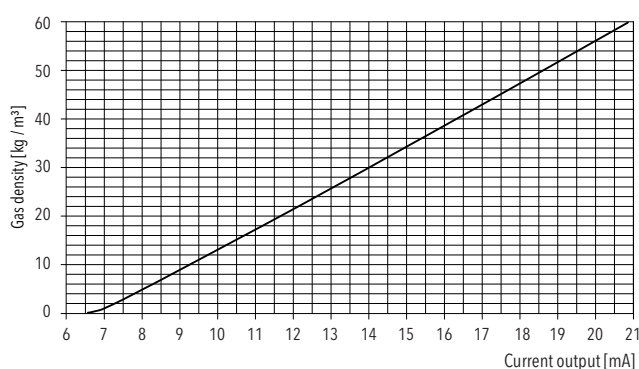
¹⁾ While no liquefaction occurs

²⁾ Only applicable if factory adjustment includes high-alarm switchpoint above filling pressure

Density sensor		
Electrical data	Supply voltage	2-wire, 10 ... 32 VDC
	Current output	6.5 ... 20 mA
	Earthing	Via process connection or wire terminal
	Resistance of insulation	>100 MΩ, 500 VDC, ex factory
EMC protection	Dielectrical strength	250 VAC, 50 Hz, terminal to ground (earth)
	ESD	15 kV air, 8 kV contact, EN/IEC 61000-4-2
	Radiated immunity	10 V/m, 80 ... 6000 MHz, EN/IEC 61000-4-3
	Burst	2 kV, EN/IEC 61000-4-4
	Surge	2 kV, EN/IEC 61000-4-5
Accuracy	Conducted immunity	10 Vrms, EN/IEC 61000-4-6
	Density measurement	± 1.0 % FS typ. ± 1.8 % FS max.
	Repeatability density measurement	± 0.2 % FS
	Transient response time required for signal output to reach accuracy tolerance band	Less than 1 h after connecting monitor to pressurised compartment Less than 1 min. when monitor is vacuumised together with compartment before gas filling
	Response time density changes to current output	Less than 20 ms

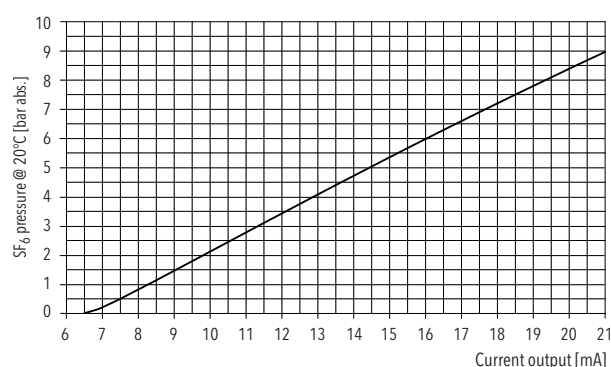
Conversion of output signal

Relation of current output to gas density



$$\text{Gas density [kg/m}^3] = \{\sqrt{4,651 * (I [\text{mA}] - 6,005) - 2,185 - 0,44}\}^2$$

Relation of current output to SF₆ pressure @ 20°C



$$\begin{aligned} \text{SF}_6 \text{ pressure @ T [K] [kg/m}^3] = & \\ & \{0,000569502 * T [\text{K}] * \text{Density [kg/m}^3] + \\ & (0,00250695 * 0,000569502 * T [\text{K}] - \\ & 0,00073822) * \text{Density [kg/m}^3]^2 - \\ & (0,00000212238 * 0,000569502 * T [\text{K}] - \\ & 0,000000513) * \text{Density [kg/m}^3]^3\} \end{aligned}$$

$$\text{SF}_6 \text{ pressure @ 20°C [bar abs.]} \approx 0.6303 * I [\text{mA}] - 4.1419$$

(add. non-linearity ± 0.3 FS between 9.5 and 19.25 mA)

The relation of current output to SF₆ pressure @20°C above applies only if 100 % SF₆ gas is used. Density to pressure @ 20°C correlation is defined by specific isochores. Please contact us for process gases other than 100% SF₆.

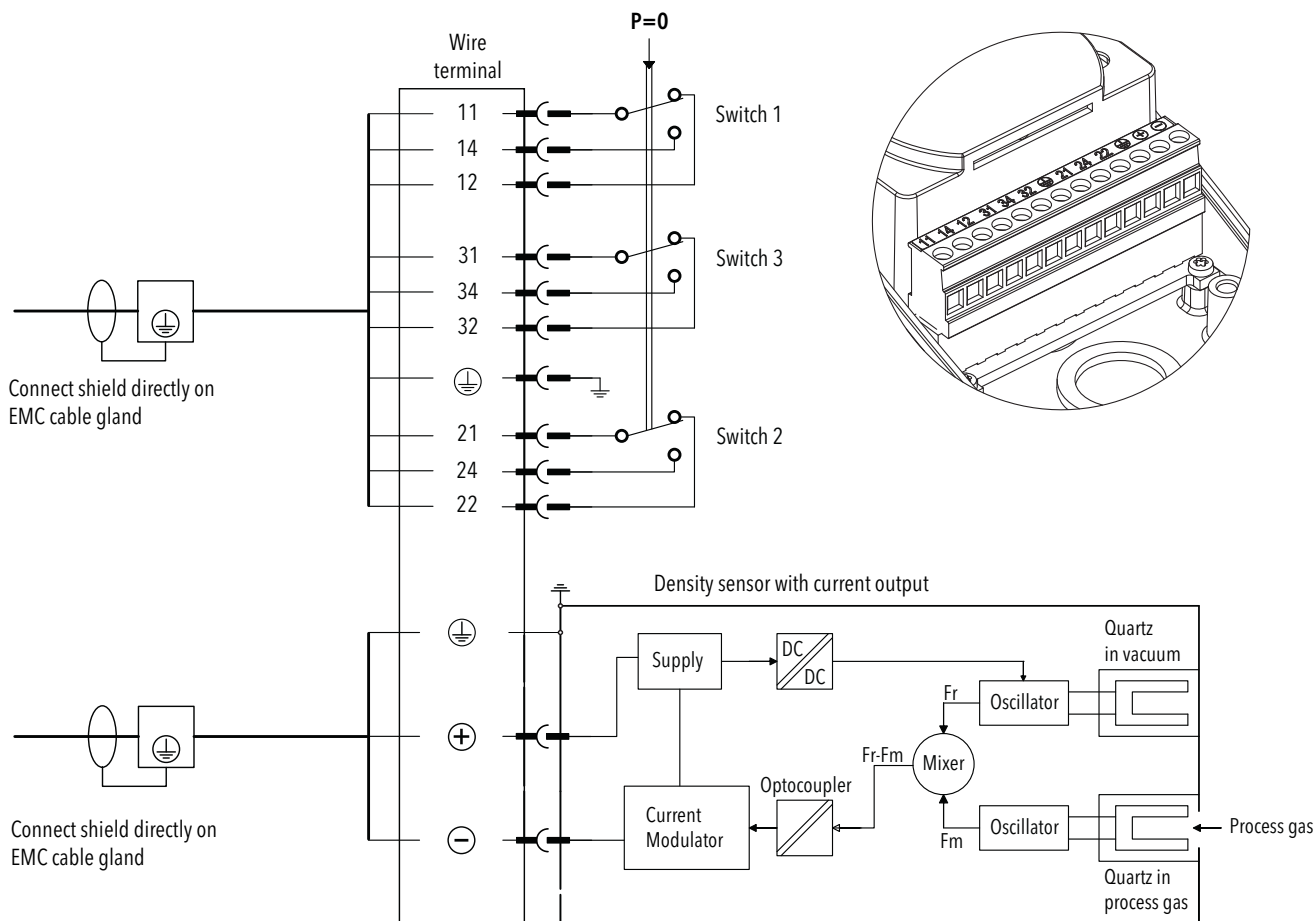
Electrical connections

Standard wiring terminal

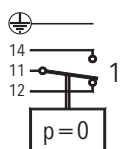
878x.20.XXXX.XX.XX.XX.XX

Number of microswitches according to customer application

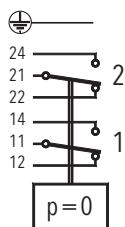
Independent cabling for sensor is optional and can also be implemented with a combined microswitch / sensor outlet



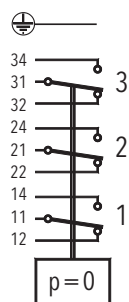
Microswitch in non-pressurised condition (p=0)



8781.XX.XXXX.XX..



8782.XX.XXXX.XX..



8783.XX.XXXX.XX..



Connected with all electrically conductive elements of the density monitor

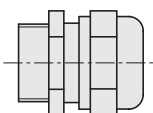


Instruction: www.trafag.com/H73515

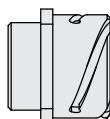
Electrical connections

Connections for microswitch and density sensor		
	Microswitch or combined microswitch / sensor connection	Optional density sensor connection
EMC-cable gland	See ordering information	See ordering information
Wire terminal	Plugable, 0.2 ... 2.5 mm ² , 13-pins	See left (one standard wire terminal)
Connector option	ITT Cannon	-

EMC-cable gland



878x.XX.XXXX.XX.XX.XX.XX
Type code 07...U8, see ordering information

ITT Cannon connector ¹⁾

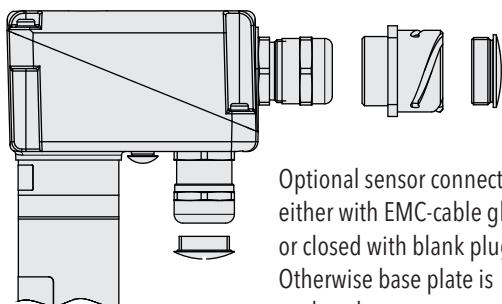
878x.XX.XXXX.XX.12.XX.XX

Blank plug



878x.XX.XXXX.XX.XX.XX.XX
Type code 04...U2, see ordering information

Microswitch or combined microswitch / sensor connection either with EMC-cable gland, ITT Cannon connector or closed with blank plug

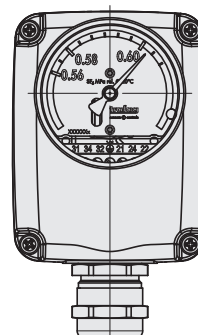
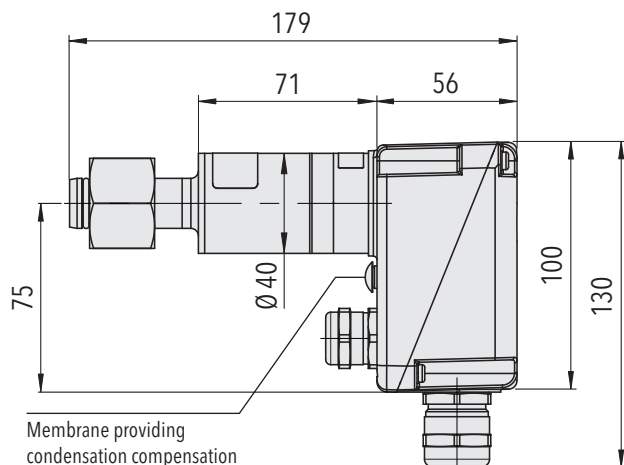


Optional sensor connection either with EMC-cable gland or closed with blank plug. Otherwise base plate is enclosed.

¹⁾ Monitor internal wiring provided. Please contact us for standard pin-out and more details.
Sheltering option with weather protection cover (46) and/or thermal insulation ring (06) for probe housing only

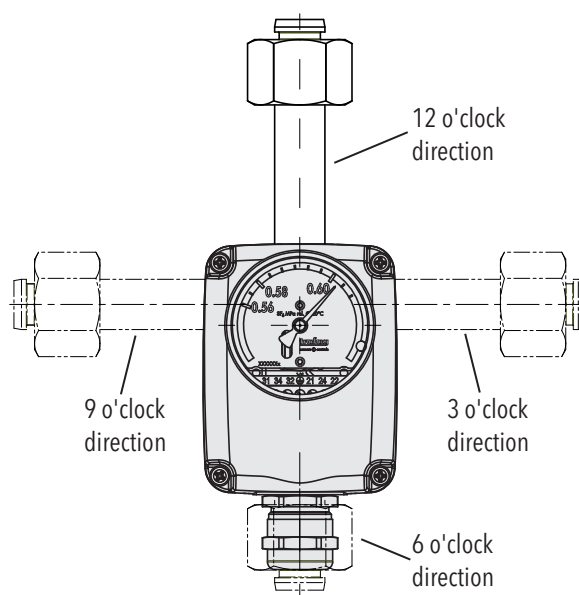
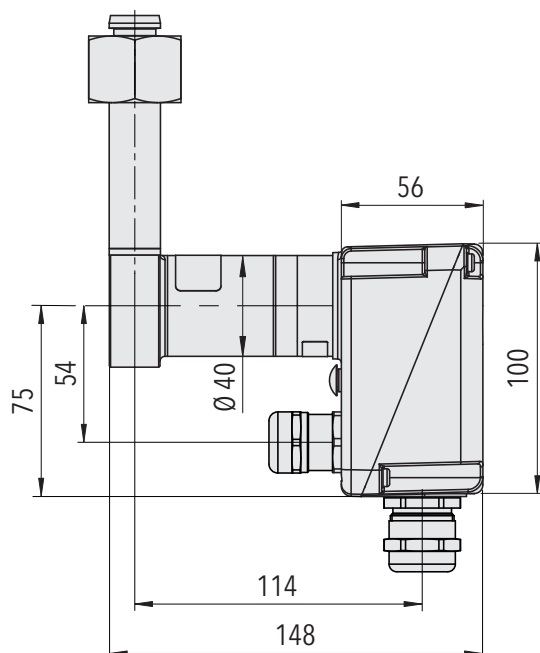
Typical dimensions of hybrid density monitor

Example model with axial process connection and cap nut



878x.20.2XXX.XX.XX.XX.XX

Example model with radial process connection

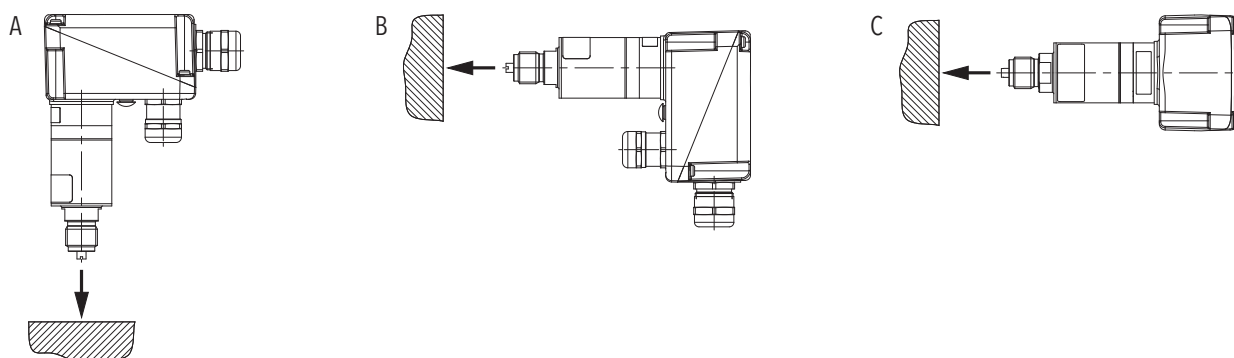


Radial process connection is configurable for 12/3/6/9 o'clock direction

878x.20.1XXX.XX.XX.XX.XX

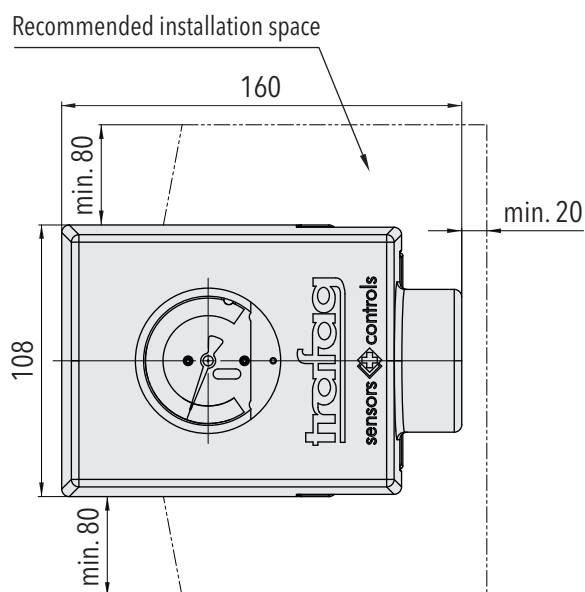
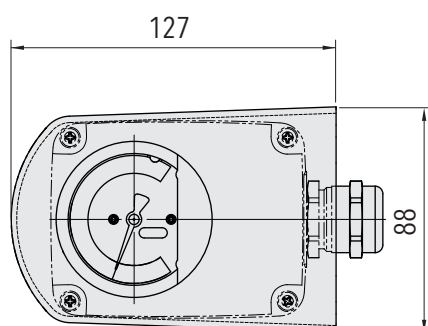
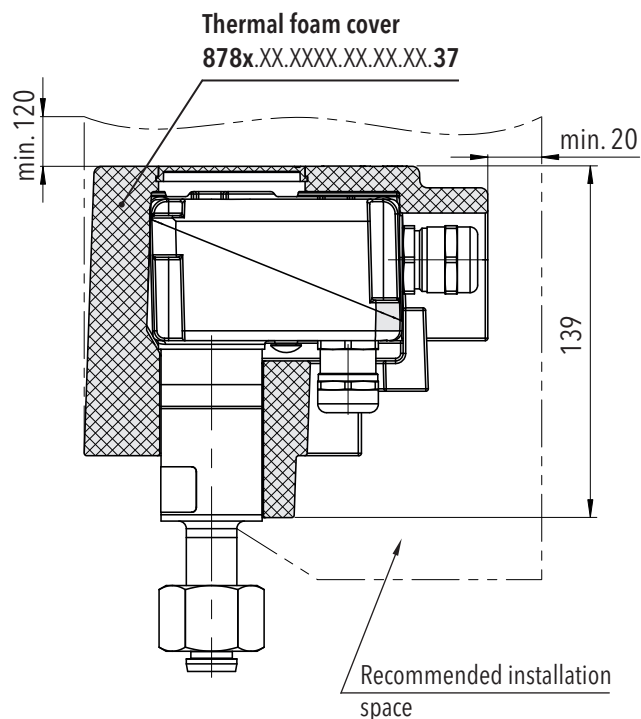
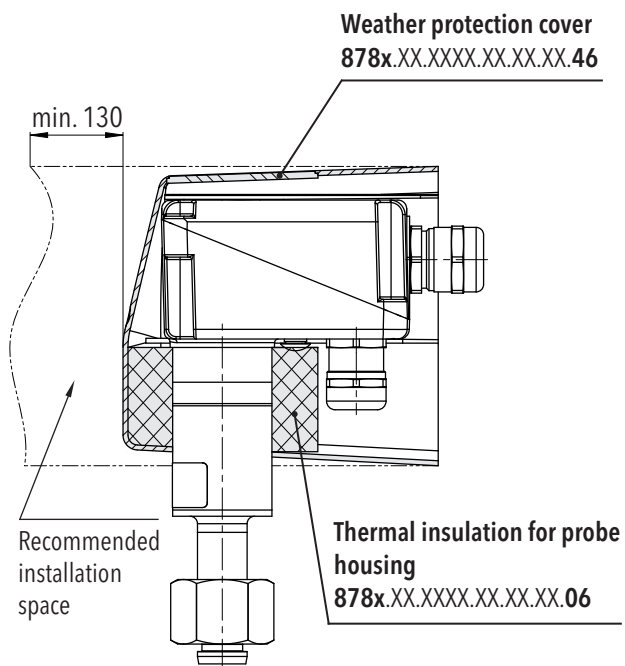
Installation and sheltering options

Installation			
	Indoor application	Outdoor application	Outdoor application with rapidly changing or extreme weather conditions
Installation orientation	No limitations, any orientation possible	A, B, C ¹⁾	A, B, C ¹⁾
Recommended option	none	<ul style="list-style-type: none"> ■ Weather protection cover (46) ■ Thermal insulation for probe housing (06) 	<ul style="list-style-type: none"> ■ Thermal foam cover (37) ■ Compartment immersion type process connection (5XXX)



¹⁾ Or any orientation in between. A horizontal upside down installation shall be avoided

Installation and sheltering options

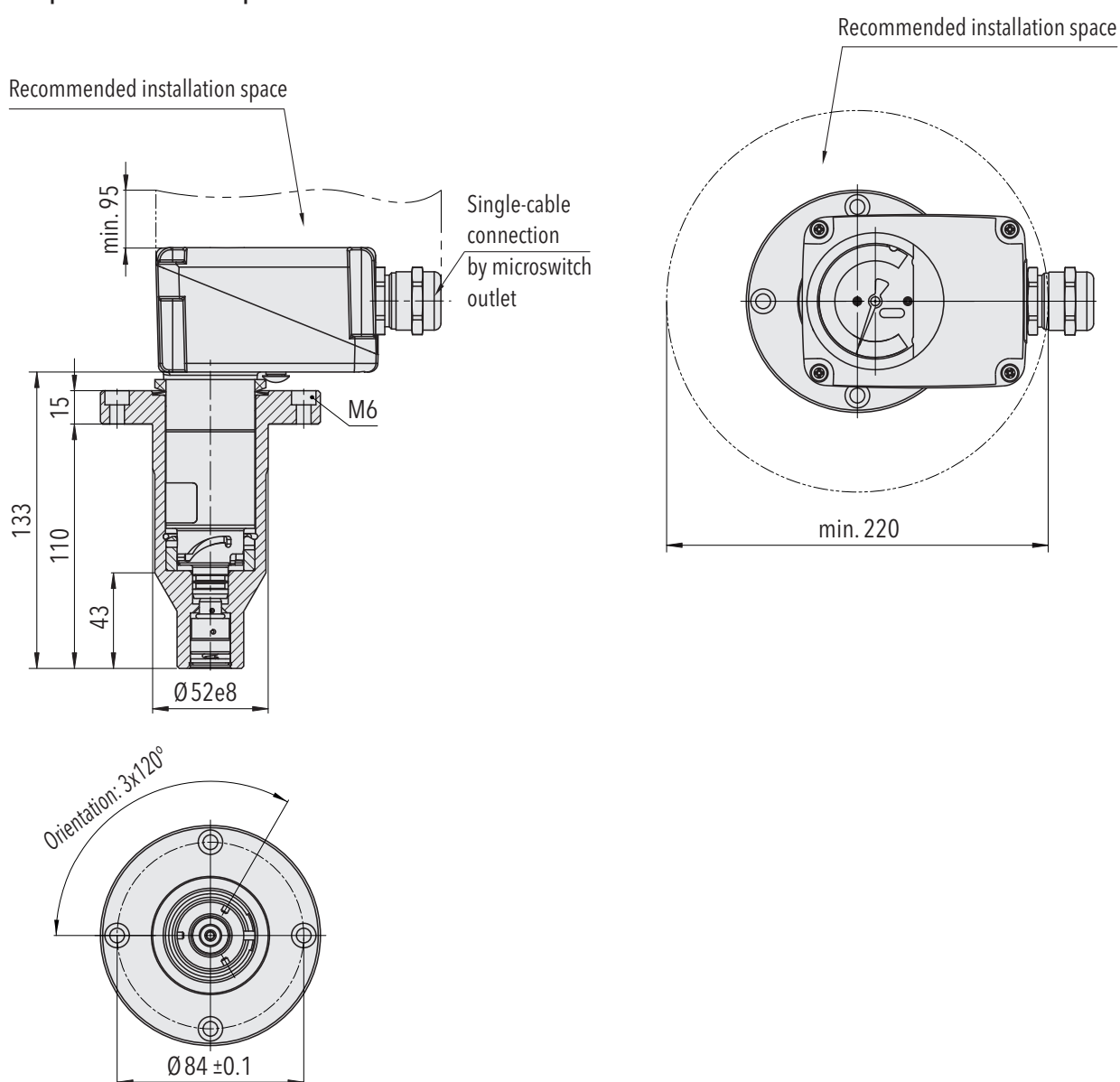


Weather protection cover (46) is aimed for long-term element protection. Insulation ring (06) for probe housing increases thermal inertia in moderate climates. Probe housing refers to lower part of the monitor where reference chamber and oscillating quartz sensor are located.

Foam cover (37) increases thermal inertia of the hybrid density monitor. It is recommended in locations with high solar radiation or daily temperature fluctuations (high altitude, arctic, desert).

Installation and sheltering options

Compartment immersion process connection



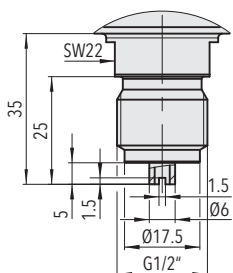
878x.XX.5XXX.XX.XX.XX.XX

The in-compartment installation (5xxx) is aimed to match process gas and monitor probe temperature. Bayonet fitting allows installation while process is pressurised

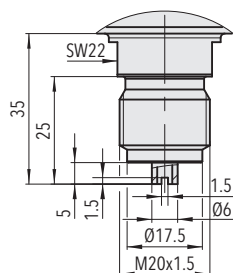
 Further details see data sheet: www.trafag.com/H72502

Process connections

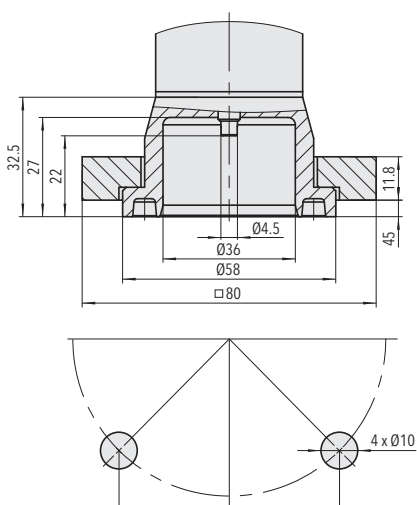
Axial process connections



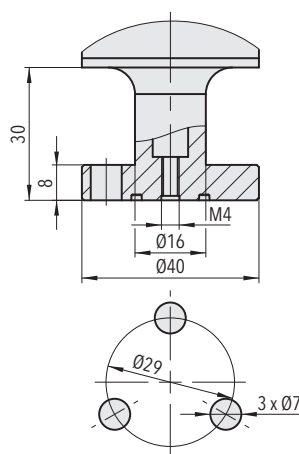
878x.XX.1000.XX.XX.XX.XX
Axial threaded connection G1/2"



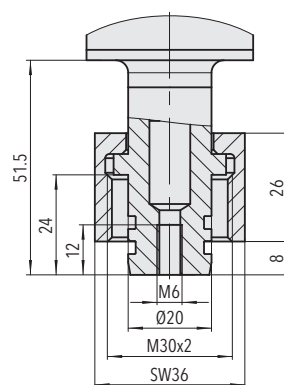
878x.XX.1120.XX.XX.XX.XX
Axial threaded connection M20x1.5



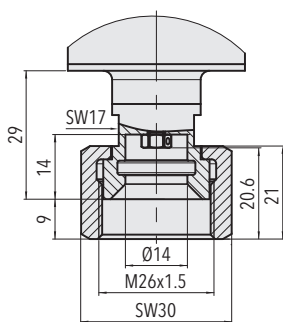
878x.XX.2000.XX.XX.XX.XX
Axial flanged connection



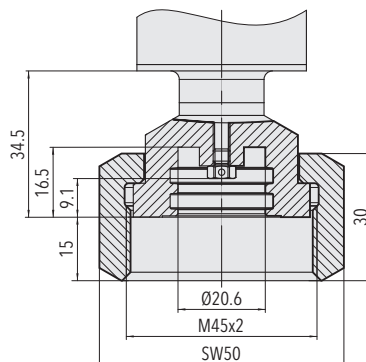
878x.XX.2200.XX.XX.XX.XX
Axial flanged connection



878x.XX.2300.XX.XX.XX.XX
Axial cap nut connection



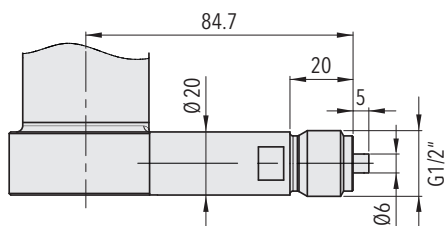
878x.XX.2550.XX.XX.XX.XX
Axial for DILO DN8 connection



878x.XX.2570.XX.XX.XX.XX
Axial for DILO DN20 connection

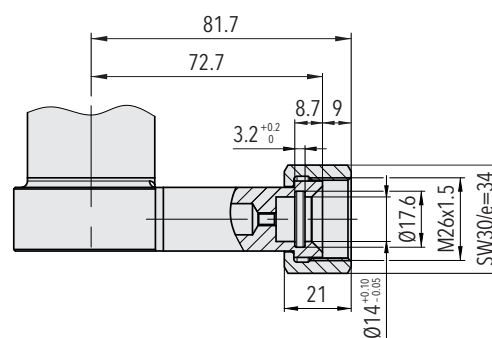
Process connections

Radial process connections



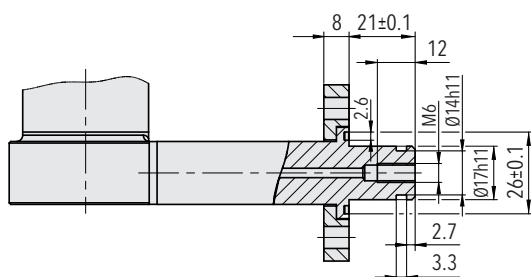
878x.XX.1030.XX.XX.XX.XX

Radial threaded connection G1/2"



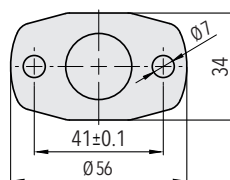
878x.XX.2XE2.XX.XX.XX.XX

Radial for DILO DN8 connection

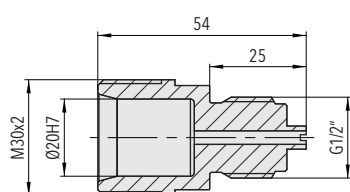


878x.XX.2XP2.XX.XX.XX.XX

Radial for two-hole flange connection



Adapter



878x.XX.2300.XX.XX.XX.N1

Adapter 2300 - G1/2" male for rotatable
G1/2" pressure connection

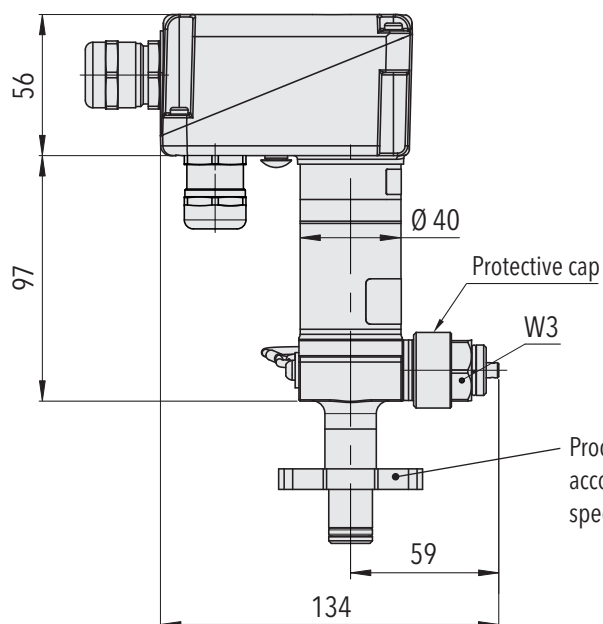


Delivery includes assembly kit and O-Ring set where applicable

For full range of process connections and more details see data sheet: www.trafag.com/H72502

Valve options

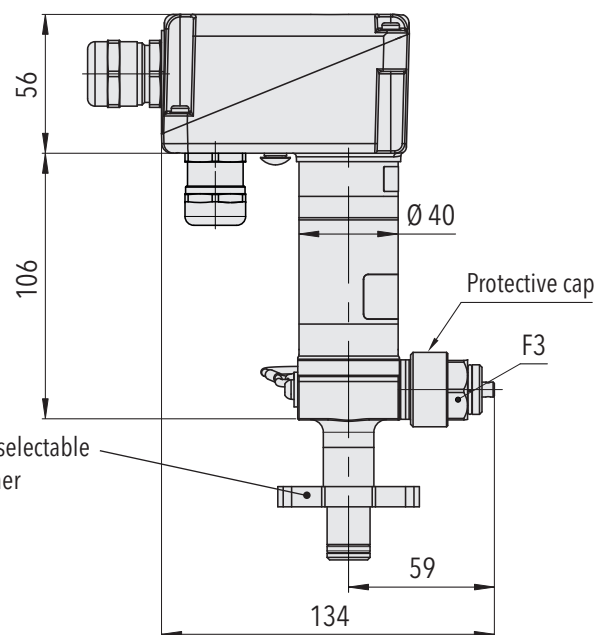
Integrated test valve



878x.XX.XXXX.XX.W0/W1/W2/W3.XX.XX

Test valve allows in-situ monitor and sensor verification without dismounting from pressure compartment. Test equipment is connected via DILO DN8 port. Connection is configurable for direction W0/W1/W2/W3.

Integrated re-filling valve

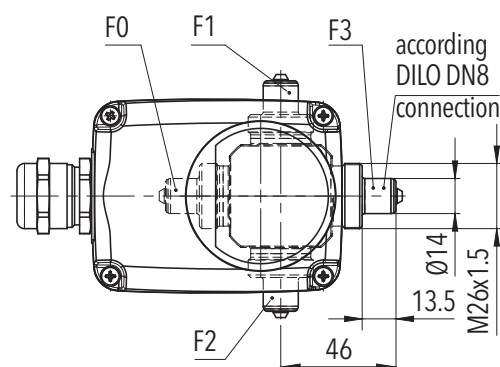
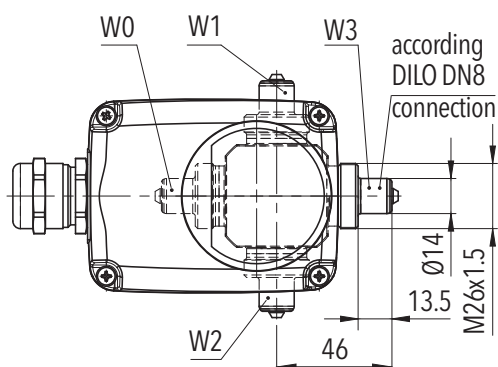


878x.XX.XXXX.XX.F0/F1/F2/F3.XX.XX

Re-filling valve allows direct insulating gas replenishment of pressure compartment via DILO DN8 port on re-filling valve. Connection is configurable for direction F0/F1/F2/F3.

Orientation of service connection (top view) ¹⁾

please specify when ordering



¹⁾ While using weather protection cover or thermal foam cover, the indicated installation spaces should be followed. See section installation and sheltering options

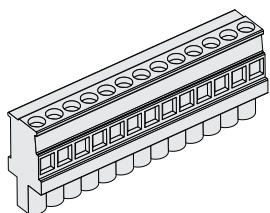
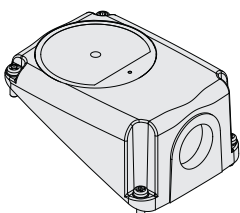
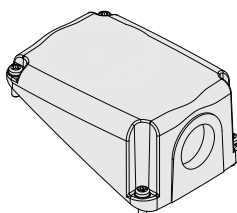
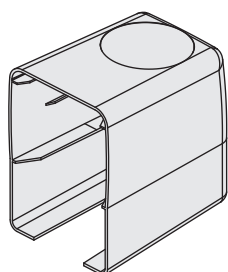
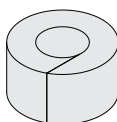
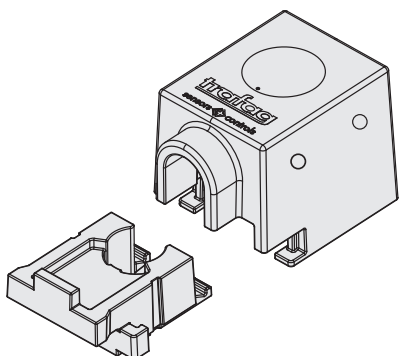
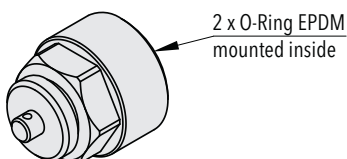
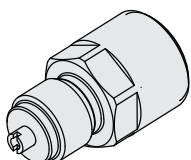
Operating specification for test and re-filling valve:

Opening and closing shall be limited to temperature range of -25°C ... +50°C
Mechanical lifetime min. 250 actuation cycles



for more details see instruction: www.trafag.com/H73521

Spare parts

Standard wire terminal, 13-pins ¹⁾Housing cover with dial window ²⁾Housing cover without dial window ²⁾Weather protection cover
(Trafag part no.: C16354)Thermal insulation for probe housing
(Trafag part no.: D34570)Thermal foam cover with drain holes
(Trafag part no.: C23322)M26x1.5 protective cap for test and re-filling valve
(Trafag part no.: C30645)
2 x O-Ring EPDM
mounted insidePressure connection adapter 2300 - G1/2" male
(Trafag part no.: C30931)¹⁾ Please contact us for more details²⁾ Please identify if microswitch cable outlet is required. For options see ordering information