

Emergency Stop Devices/ Rope Pull Switches



EUCNER

More than safety.

EUCHNER

More than safety.



Headquarters in Leinfelden-Echterdingen



Logistics center in Leinfelden-Echterdingen



Production location in Unterböhringen

Internationally successful – the EUCHNER company

EUCHNER GmbH + Co. KG is a world-leading company in the area of industrial safety technology. EUCHNER has been developing and producing high-quality switching systems for mechanical and systems engineering for more than 60 years.

The medium-sized family-operated company based in Leinfelden, Germany, employs more than 600 people around the world.

16 subsidiaries and other sales partners in Germany and abroad work for our international success on the market.

Quality and innovation – the EUCHNER products

A look into the past shows EUCHNER to be a company with a great inventive spirit. We take the technological and ecological challenges of the future as an incentive for extraordinary product developments.

EUCHNER safety switches monitor safety doors on machines and installations, help to minimize dangers and risks and thereby reliably protect people and processes. Today, our products range from electromechanical and electronic components to intelligent integrated safety solutions. Safety for people, machines and products is one of our dominant themes.

We define future safety technology with the highest quality standards and reliable technology. Extraordinary solutions ensure the great satisfaction of our customers.

The product ranges are subdivided as follows:

- ▶ Transponder-coded Safety Switches
- ▶ Transponder-coded Safety Switches with guard locking
- ▶ Multifunctional Gate Box MGB
- ▶ Access management systems (Electronic-Key-System EKS)
- ▶ Electromechanical Safety Switches
- ▶ Magnetically coded Safety Switches
- ▶ Enabling Switches
- ▶ Safety Relays
- ▶ Emergency Stop Devices
- ▶ Hand-Held Pendant Stations and Handwheels
- ▶ Safety Switches with AS-Interface
- ▶ Joystick Switches
- ▶ Position Switches



Emergency Stop Devices/Rope Pull Switches

Emergency stop devices ES...	4
General	4
Built-in devices 22 mm / 30 mm	6
Devices with housing	7
Accessories	8
Technical data	8
Rope pull switches RPS...	10
General	10
Rope pull switches with plastic housing	14
Rope pull switches with metal housing	17
Accessories	21
Technical data	25
Item index	28
Index by item designation	28
Index by order number	29

Emergency stop devices ES...

As per EN ISO 13850 the emergency stop function is a function that is intended to avert an impending hazard for personnel, damage to the machine or work in progress, or to alleviate existing hazards, and that is to be triggered by a single user action.

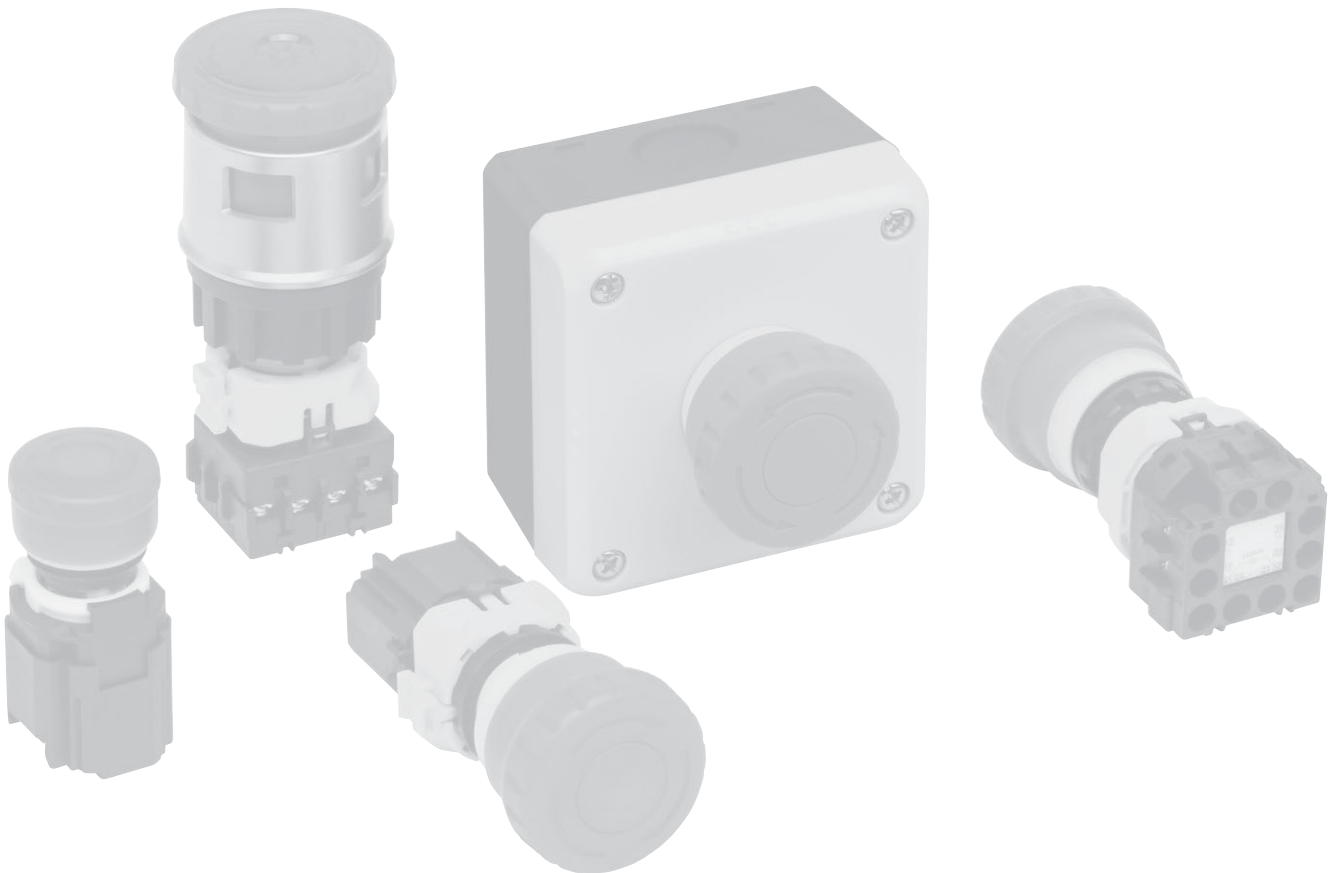
For this purpose controlgear is required that is equipped with a red actuator, that is the mushroom-head button in red; the button is to have a yellow background. The emergency stop function is generally only allowed to provide safety in addition to the directly acting safety functions. Directly acting safety functions are, for example, safety switches on safety doors that cause a hazard to be shut down without conscious action by the user.

EUCHNER emergency stop controlgear features very innovative technology.

Most controls ES... have contact block monitoring to check whether the switching elements fitted are actually all correctly seated in the switch. If the switching elements should come loose unintentionally, an emergency stop command is triggered automatically.

The controls ES-XN.. have a protective collar that makes it possible to fit a padlock when the mushroom-head button is pressed. As a result it is not possible to pull the control back out. This measure is used to provide personnel who must work in the danger area inside a machine with simple and effective protection against inadvertent power up of the machine.

The reset mechanism on the EUCHNER emergency stop controlgear is very sophisticated. The majority of buttons can be reset by either turning or pulling. And this feature is not an option, but in general standard.



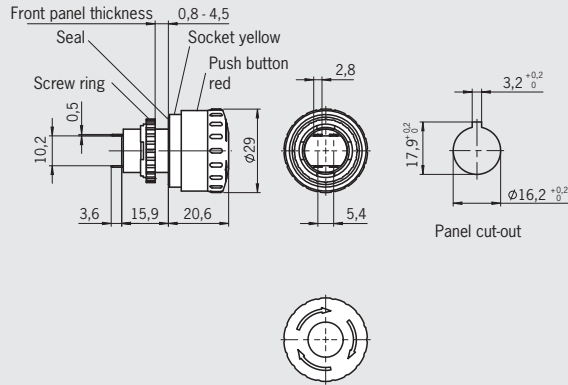
Emergency stop devices ES...



- ▶ Built-in devices 16 mm
- ▶ Button head red \varnothing 29 mm
- ▶ Reset by pulling or turning
- ▶ Short design

Emergency stop device ES-XA...

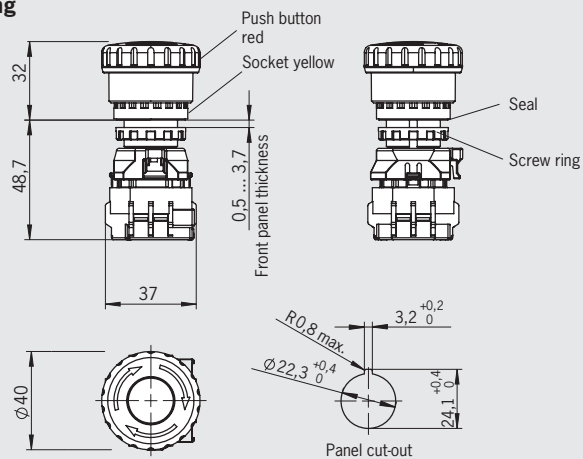
Dimension drawing



- ▶ Built-in devices 22 mm
- ▶ Button head red \varnothing 40 mm
- ▶ Contact block monitoring
- ▶ Reset by pulling or turning
- ▶ Optionally with built-in LED

Emergency stop device ES-XW...

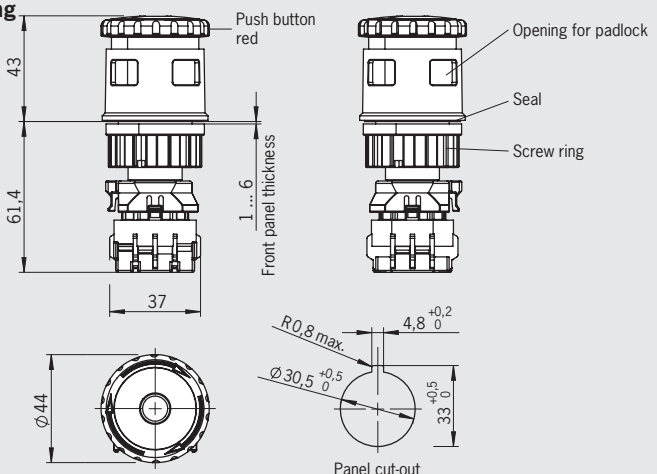
Dimension drawing



- ▶ Built-in devices 30 mm
- ▶ Button head red \varnothing 44 mm
- ▶ Contact block monitoring
- ▶ Can be locked using padlock
- ▶ Reset by turning
- ▶ Optionally with built-in LED

Emergency stop device ES-XN...

Dimension drawing

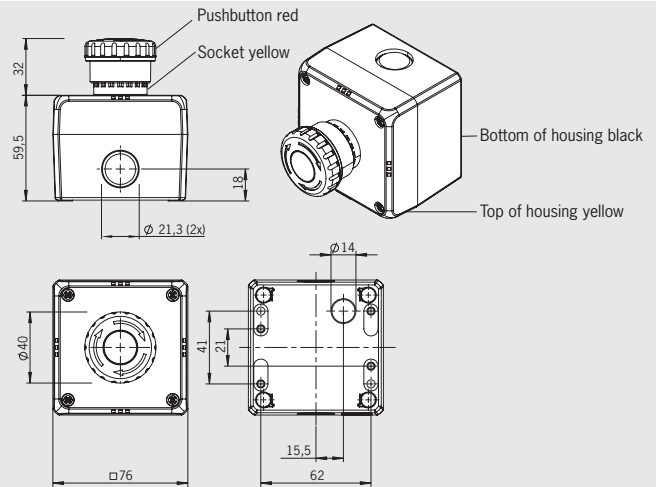




- ▶ Devices with housing
- ▶ Button head red Ø 40 mm
- ▶ Contact block monitoring
- ▶ Reset by pulling or turning
- ▶ Housing
- ▶ Optionally with built-in LED

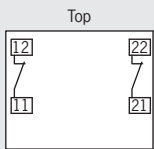
Emergency stop device ES-FB...XW...

Dimension drawing

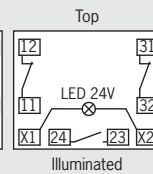
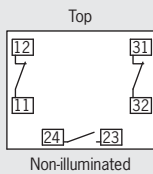


Switching functions

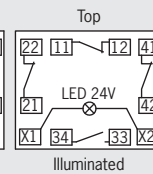
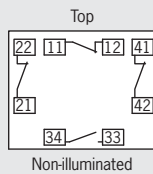
2 NC



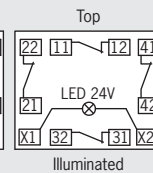
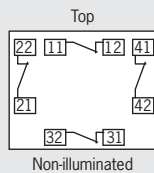
2 NC + 1 NO



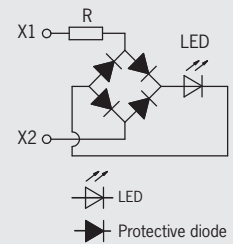
3 NC + 1 NO



4 NC



LED wiring diagram



Ordering table

Series	Switching elements	Connection	Lighting	Mushroom-head button	Order No./item
ES-XA (built in, 16 mm)	2 NC ⊖	Soldered connection	BV without	3U02R 29 mm, red	106435 ES-XA1E-BV3U02R
ES-XW (built in, 22 mm)	2 NC ⊖ + 1 NO	Screw terminal	BV without	412MFR 40 mm, red	105013 ES-XW1E-BV412MFR
			LV with	412Q4MFR 40 mm, red transparent	105014 ES-XW1E-LV412Q4MFR
	4 NC ⊖	Screw terminal	BV without	404MFR 40 mm, red	113893 ES-XW1E-BV404MFR
			LV with	404Q4MFR 40 mm, red transparent	114354 ES-XW1E-LV404Q4MFR
ES-FB...XW (housing)	2 NC ⊖ + 1 NO	Screw terminal	BV without	412MFR 40 mm, red	105017 ES-FB1W-XW1E-BV412MFR-YO
			LV with	412Q4MFR 40 mm, red transparent	105018 ES-FB1W-XW1E-LV412Q4MFR-YO
ES-XN (built in, 30 mm)	2 NC ⊖ + 1 NO	Screw terminal	BL without	412MFRH 44 mm, red	105015 ES-XN4E-BL412MFRH
			LL with	412Q4MFR 44 mm, red transparent	105016 ES-XN4E-LL412Q4MFR
	3 NC ⊖ + 1 NO	Screw terminal	BL without	413MFRH 44 mm, red	124713 ES-XN4E-BL413MFRH
			LL with	413Q4MFR 44 mm, red transparent	124712 ES-XN4E-LL413Q4MFR

Accessories for emergency stop devices ES...

Ordering table

Series	Designation	Order No./item
ES-MW9Z-T1	Key for fastening the ring screw on ES-XW devices	106337
ES-MT-001	Key for fastening the ring screw on ES-XA devices	106339
ES-XN9Z-T1	Key for fastening the ring screw on ES-XN devices	106338
ES-HWAV-27	Emergency stop plate for 40 mm buttons on ES-XW devices with text "Emergency Stop"	106340
ES-HAAV-27	Emergency stop plate for 29 mm buttons on ES-XA devices with text "Emergency Stop"	106342
ES-HNAV-27	Emergency stop plate for 40 mm buttons on ES-XN devices with text "Emergency Stop"	106341

Technical data of emergency stop devices ES...

Reliability values according to EN ISO 13849-1

Parameter	Value	Unit
B _{10d}	1 x 10 ⁹ operating cycles	

Parameter		Value		Unit
		Non-illuminated	Illuminated	
Material	Button Housing	Reinforced thermoplastic Polycarbonate		
Mechanical life		250,000 operating cycles		
Ambient temperature		- 25 ... + 60	- 25 ... + 55	°C
Storage temperature		- 45 ... + 80		°C
Degree of protection acc. to EN IEC 60529				
- ES-XA... (button)		IP 65		
- ES-XW... / ES-XN... (button)		IP 20		
- ES-FB...XW... (housing)		IP 65		
Connection				
- ES-XA...		Soldered connection		
- ES-XW... / ES-XN... / ES-FB...XW...		Screw terminal		
Contact material		Silver alloy, gold flashed		
Positively driven		According to EN 60947-5-1		
Rated insulation voltage U _i		250		V
Utilization category according to EN 60947-5-1				
- ES-XA...		DC-13 3 A 24 V		
- ES-XW... / ES-XN... / ES-FB...XW...		AC-15 1.5 A 250 V (NO contact AC-14 0.3 A 250 V) DC-13 1 A 30 V		
Conventional continuous thermal current I _{th}		1		A
Switching current, min., at 24 V		10		mA
Lighting data				
Operating voltage	-	24 ± 10%		V AC/DC
Operating current	-	15		mA

Rope pull switches

In the field of safety engineering, rope pull switches belong to the category of "Emergency stop devices with mechanical latching" according to EN ISO 13850. The required emergency stop function must be available and functional at all times irrespective of the operating mode. After operation of the actuating element, the emergency stop device must automatically prevent or reduce the hazard in the best possible way.

Type examinations

To demonstrate conformity, the Machinery Directive also includes the possibility of type examination, for example. Although all relevant standards are taken into account during development, we have all our safety switches subjected to additional type examinations by a notified body.

Many of the items of switchgear listed in this catalog have been tested by the German Social Accident Insurance association (DGUV), formerly the employers' liability insurance association (BG), and are given in the lists from the DGUV.

Furthermore, many items of switchgear are listed by the Canadian Standards Association (CSA). These switches can be used in countries in which this listing is required. The approval symbols on the individual pages of the catalog indicate which body tested the switches.

With the aid of the approval symbols listed below you can quickly see which approvals are available for the related switches:



Switches with this symbol have the approval of the German Social Accident Insurance association (DGUV) – formerly the employers' liability insurance association (BG)



Switches with this symbol are approved by Canadian Standards Association (CSA, Canada and USA).

Function and technology used in rope pull switches

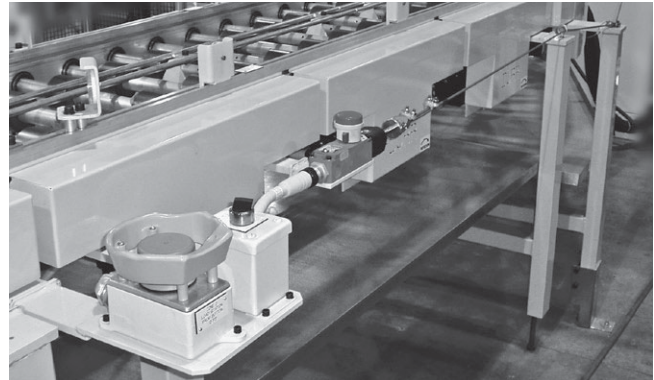
The standard EN 60947-5-5 – 6 (requirements for emergency stop push-buttons and rope pull switches) specifies certain requirements which must be met by rope pull switches and which therefore also define the mode of operation of such switches.

As such the latching device (emergency stop switch) must be reset by turning a key, by turning the pushbutton in the stated direction or by pulling. Rope pull switches are normally tripped by pulling a plastic-sheathed steel rope (known as the safety rope or pull rope). In addition, most EUCHNER rope pull switches feature a latched emergency stop button on the housing which has the same effect.

Task of rope pull switches

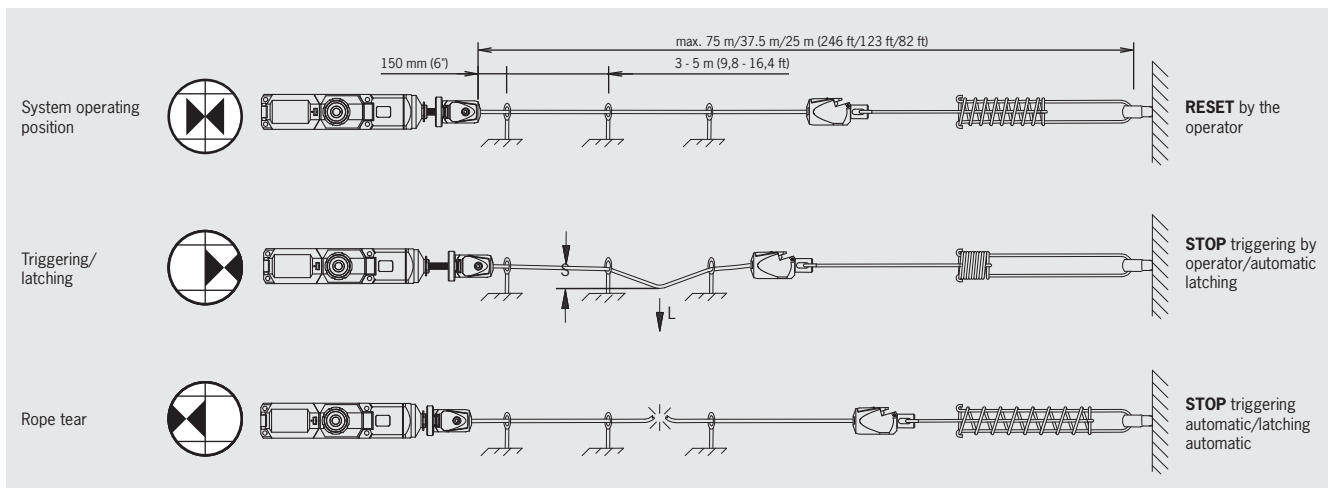
The trip range is much larger than for switches with an emergency stop pushbutton, since operation is possible over the whole rope length and is not restricted to the small area within reach of the switch.

Rope pull switches are used whenever it is necessary to protect large danger areas where it is not possible or too complex to fit a housing or cover.

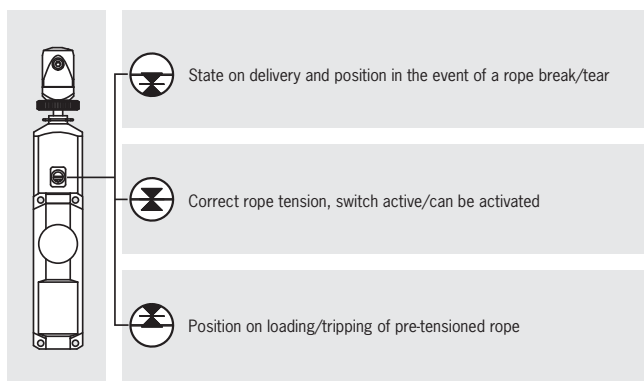


The advantage is that areas of an installation or machine can be shut down immediately from any point in the working area in the event of danger in cases where it would otherwise be necessary to install individual latched emergency stop buttons at short distances apart.

Upon tripping, the safety contacts are actuated and a stop signal is generated to switch off the machine. The vertical tensile force which acts on the wire or rope to generate the emergency stop signal (contact opening) must be less than 200 N and the vertical deflection of the wire or rope which is necessary for generation of the emergency stop signal must be less than 400 mm. An emergency stop signal must also be generated if the wire or rope breaks or becomes detached. This means that any fault in the safety device is noticed immediately and the safety function is not lost at any time.



In order to achieve this, the rope pull switch has one center position and two switch-off positions. The switch is in center position during machine operation. If the safety rope is pulled or breaks, the switch moves from the center position to one of the switch-off positions and the machine is stopped. Rope pull switches from EUCHNER have a window which allows the switch position to be seen.



Installation and rope attachment

Installation

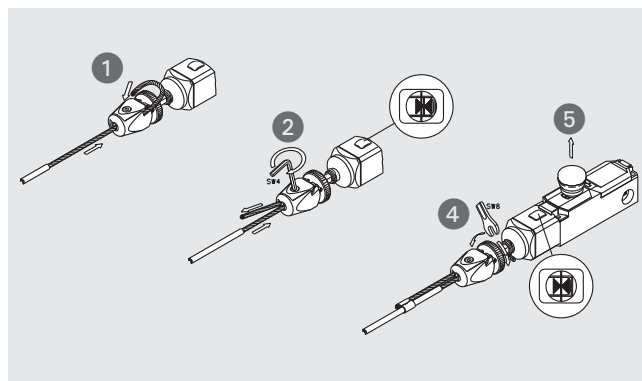
In accordance with EN ISO 13850:2008 – 4.4, emergency stop pushbuttons must be installed so that they can be reached easily and operated safely by persons who are at risk. It may be useful to attach marking flags to improve visibility if wires/wire ropes or ropes are used, as is the case with rope pull switches.

A tensioner spring must be installed on the counter bearing in order to ensure proper and safety-compliant implementation of the rope pull system. This is a precondition for direction-independent tripping at any point along the rope length.

Rope attachment

► Versions RPS...SC and RPS...PC

- 1 Strip the pull rope and insert into the clamping head. In order to prevent the pull rope from slipping, there must be no rope coating in the clamping head.
- 2 Set the pull rope so that the lock marking is in central position and clamp the pull rope with the hexagon socket head screw.
- 3 Actuate the pull rope hard several times in order to stretch the rope and then readjust the rope using the clamping head.
- 4 Set the lock marking in central position by turning the actuation axis.
- 5 Activate rope pull switch by pulling.



The direction of the safety rope can be changed using rope pulley blocks or eyebolts. Direction changes of up to max. 90° are possible. Rope pulley blocks have the advantage that the frictional forces between the safety rope and deflection points are kept low.

Selection table for rope pull switches RPS

Housing material

K Plastic

M Metal

Version

P Blue reset button

S Emergency stop

Rope attachment

R Pull lug

C Clamping head

Actuating force

100 Actuating force 100 N

175 Actuating force 175 N

300 Actuating force 300 N

LED

LED left or right

Switching element

4 contacts 3 NC ⊕ + 1 NO or 2 NC ⊕ + 2 NO

Connection

M Thread M20 x 1.5 for cable gland

SFM Plug connector 5-pin

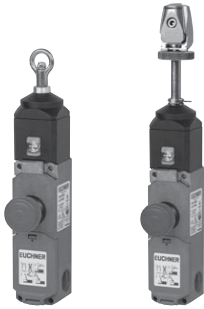
BHA Plug connector 10-pin

Housing material		Version		Rope attachment		Actuating force [N]			LED	Switching element, 4 contacts	Connection			Page
Plastic	Metal	P	S	R	C	100	175	300			M	M12	MR10	
●		●		●		●				●	●			14
●		●		●			●			●	●			14
●		●		●				●		●	●			14
●		●			●	●				●	●			15
●		●			●		●			●	●			15
●		●			●			●		●	●			15
●			●		●	●				●	●			15
●			●		●		●			●	●			15
●			●		●			●	●	●			●	16
●			●		●			●	●	●			●	16
●			●		●			●	●	●			●	16
	●		●		●		●			●	●			17
	●		●		●			●		●	●			17
	●		●		●		●			●		●		18
	●		●		●			●		●		●		18
	●		●		●		●		●	●		●		19
	●		●		●			●	●	●			●	20
	●		●		●			●	●	●			●	20



Rope pull switch with pull-release for emergency stop device

- ▶ Plastic housing
- ▶ Emergency stop device with detent mechanism according to EN ISO 13850 and EN 60204-1
- ▶ Pull lug or clamping head for pull rope
- ▶ Indication of correct rope tension
- ▶ 3 cable entries
- ▶ Switching elements with 4 switching contacts

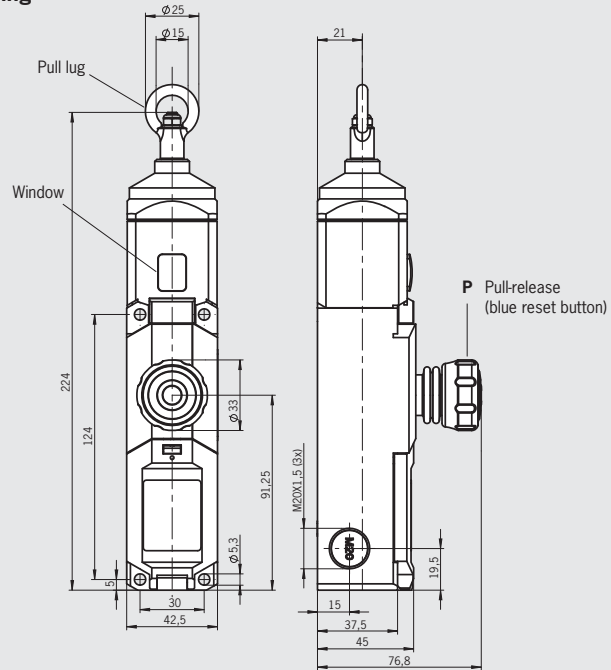


Switching elements

- ▶ **2131** Slow-action switching contact
3 NC ⊖ + 1 NO
- ▶ **3131** Slow-action switching contact
2 NC ⊖ + 2 NO

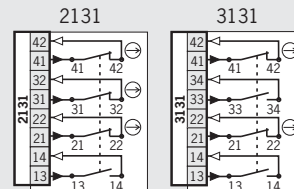
Cable entry M20 x 1.5
Pull-release for emergency stop, pull lug for tensioning rope

Dimension drawing



Cable glands, see page 24

Wiring diagrams Switch not actuated



For switching functions, see technical data on page 27

Ordering table

Series	Connection	Rope attachment	Version	Actuating force [N]	Switching element	Order No./item
RPS	Cable entry 3 x M20 x 1.5	R Pull lug	P Blue reset button	100	2131 3 NC ⊖ + 1 NO	094849 RPS2131PR100M
					3131 2 NC ⊖ + 2 NO	088888 RPS3131PR100M
				175	2131 3 NC ⊖ + 1 NO	094850 RPS2131PR175M
					3131 2 NC ⊖ + 2 NO	088889 RPS3131PR175M
				300	2131 3 NC ⊖ + 1 NO	094851 RPS2131PR300M
					3131 2 NC ⊖ + 2 NO	088890 RPS3131PR300M

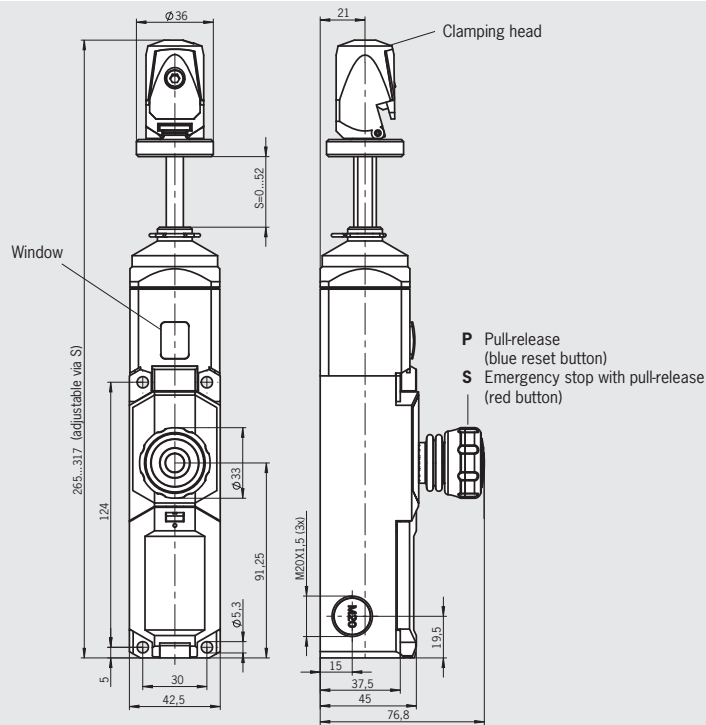
Rope pull switch with pull-release for emergency stop device



Cable entry M20 x 1.5

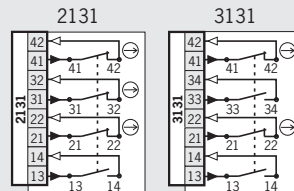
Pull-release for emergency stop, clamping head for tensioning rope

Dimension drawing



Cable glands, see page 24

Wiring diagrams Switch not actuated



For switching functions, see technical data on page 27

Ordering table

Series	Connection	Rope attachment	Version	Actuating force [N]	Switching element	Order No./item
RPS	Cable entry 3 x M20 x 1.5	C Clamping head	P Blue reset button	100	2131 3 NC ⊖ + 1 NO	094852 RPS2131PC100M
					3131 2 NC ⊖ + 2 NO	088885 RPS3131PC100M
				175	2131 3 NC ⊖ + 1 NO	094853 RPS2131PC175M
					3131 2 NC ⊖ + 2 NO	088886 RPS3131PC175M
				300	2131 3 NC ⊖ + 1 NO	094854 RPS2131PC300M
					3131 2 NC ⊖ + 2 NO	088887 RPS3131PC300M
			S Emergency stop	100	2131 3 NC ⊖ + 1 NO	094430 RPS2131SC100M
					3131 2 NC ⊖ + 2 NO	088882 RPS3131SC100M
				175	2131 3 NC ⊖ + 1 NO	094431 RPS2131SC175M
					3131 2 NC ⊖ + 2 NO	088883 RPS3131SC175M
				300	2131 3 NC ⊖ + 1 NO	094432 RPS2131SC300M
					3131 2 NC ⊖ + 2 NO	088884 RPS3131SC300M

Rope pull switch with pull-release for emergency stop device



- ▶ Plastic housing
- ▶ Emergency stop device with detent mechanism according to EN ISO 13850 and EN 60204-1
- ▶ Clamping head for pull rope
- ▶ Indication of correct rope tension
- ▶ Plug connector MR10
- ▶ LED left or right
- ▶ Switching element with 4 switching contacts



Switching elements

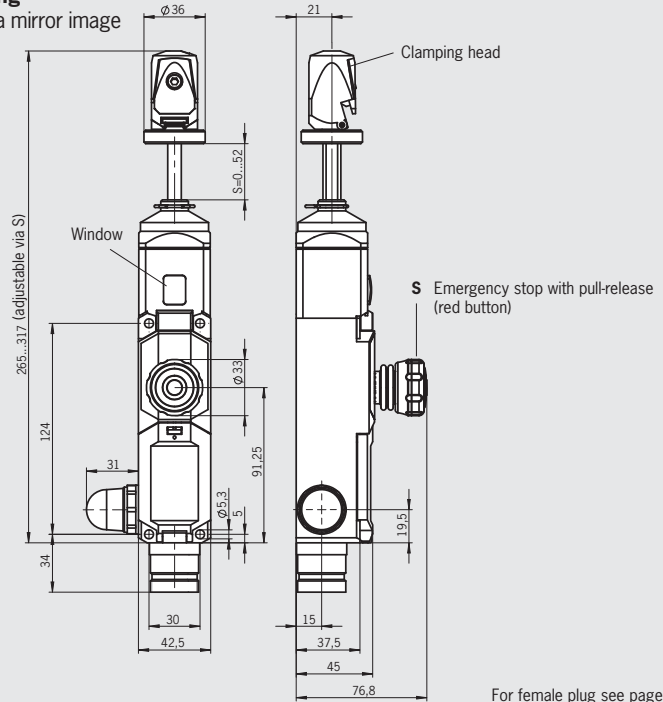
- ▶ **3131** Slow-action switching contact
2 NC ⊖ + 2 NO

Plug connector MR10

10-pin, pull-release for emergency stop, clamping head for tensioning rope

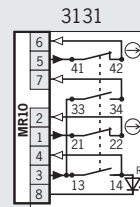
Dimension drawing

LED on the right is a mirror image



Wiring diagrams

Switch not actuated



For switching functions, see technical data on page 27

Ordering table

Series	Connection	Rope attachment	Version	Actuating force [N]	Switching element	LED	Order No./item
RPS	Plug connector MR10	C Clamping head	S Emergency stop	100	3131 2 NC ⊖ + 2 NO	left	094083 RPS3131SC100BHA10LL024
						right	094084 RPS3131SC100BHA10RL024
				175	3131 2 NC ⊖ + 2 NO	left	094085 RPS3131SC175BHA10LL024
						right	094086 RPS3131SC175BHA10RL024
				300	3131 2 NC ⊖ + 2 NO	left	094087 RPS3131SC300BHA10LL024
						right	094088 RPS3131SC300BHA10RL024



Rope pull switch with pull-release for emergency stop device

- ▶ Metal housing
- ▶ Emergency stop device with detent mechanism according to EN ISO 13850 and EN 60204-1
- ▶ Clamping head for pull rope
- ▶ Indication of correct rope tension
- ▶ 3 cable entries M20 x 1.5
- ▶ Switching elements with 4 switching contacts
- ▶ Pre-failure monitoring for the rope tension optional



Pre-failure monitoring

An additional monitoring output is used to signal that the permissible rope tension is exceeded and to indicate imminent triggering.

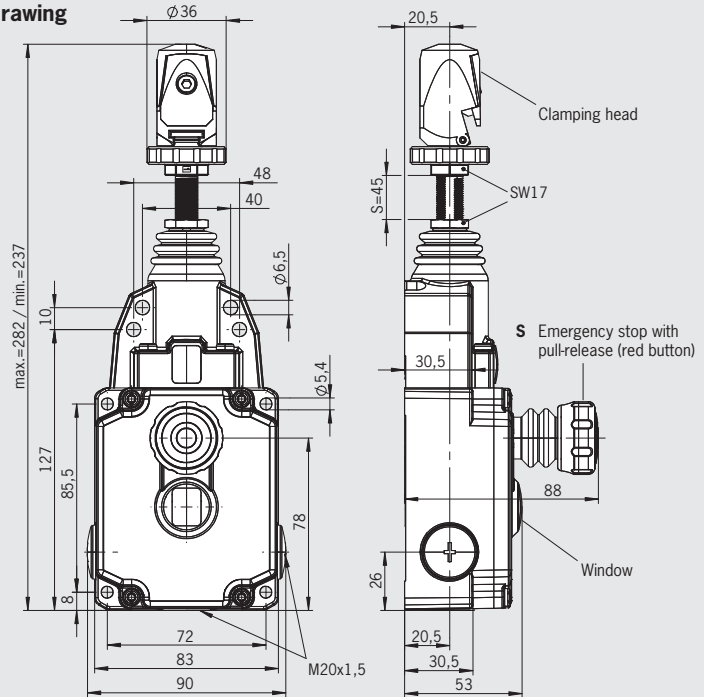
Switching elements

- ▶ **3131** Slow-action switching contact
2 NC ⊖ + 2 NO

Cable entry M20 x 1.5

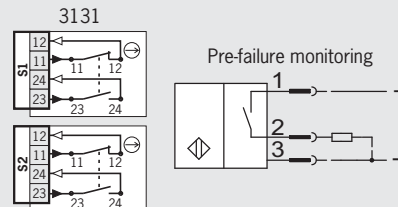
Pull-release for emergency stop, clamping head for tensioning rope

Dimension drawing



Cable glands, see page 24

Wiring diagrams Switch not actuated



For switching functions, see technical data on page 27

Ordering table

Series	Connection	Rope attachment	Version	Actuating force [N]	Switching element	Pre-failure monitoring	Order No./item
RPS-M	Cable entry 3 x M20 x 1.5	C Clamping head	S Emergency stop	175	3131 2 NC ⊖ + 2 NO	with	114981 RPS-M-E-3131SC175M
						without	114983 RPS-M-3131SC175M
				300	3131 2 NC ⊖ + 2 NO	with	114982 RPS-M-E-3131SC300M
						without	114984 RPS-M-3131SC300M



Rope pull switch with pull-release for emergency stop device

- ▶ Metal housing
- ▶ Emergency stop device with detent mechanism according to EN ISO 13850 and EN 60204-1
- ▶ Clamping head for pull rope
- ▶ Indication of correct rope tension
- ▶ Plug connector M12
- ▶ 2 cable entries M20 x 1.5
- ▶ Switching elements with 4 switching contacts



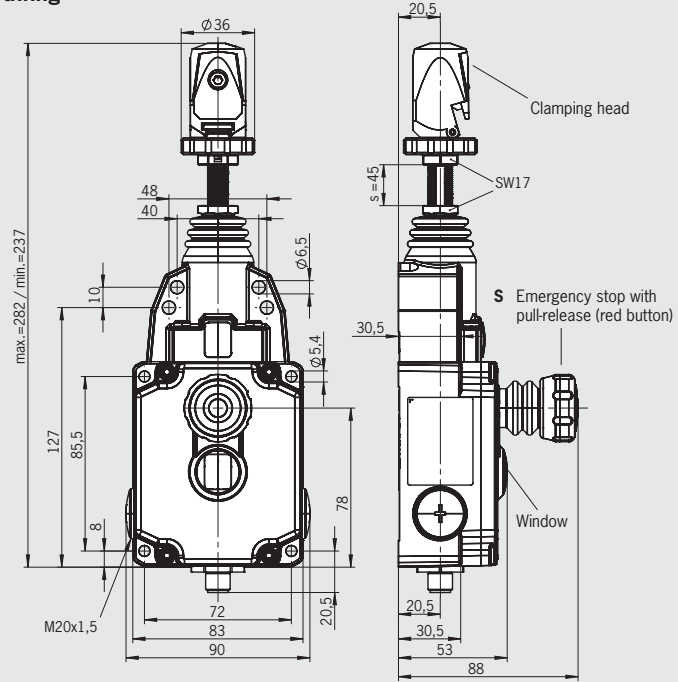
Switching elements

- ▶ **3131** Slow-action switching contact
2 NC ⊖ + 2 NO

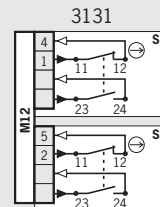
Plug connector M12

5-pin, pull-release for emergency stop, clamping head for tensioning rope

Dimension drawing



Wiring diagrams Switch not actuated



For switching functions, see technical data on page 27

Ordering table

Series	Connection	Rope attachment	Version	Actuating force [N]	Switching element	Order No./item
RPS-M	Plug connector M12	C Clamping head	S Emergency stop	175	3131 2 NC ⊖ + 2 NO	119842 RPS-M-3131SC175SFM5
				300	3131 2 NC ⊖ + 2 NO	119844 RPS-M-3131SC300SFM5



Rope pull switch with pull-release for emergency stop device

- ▶ Metal housing
- ▶ Emergency stop device with detent mechanism according to EN ISO 13850 and EN 60204-1
- ▶ Clamping head for pull rope
- ▶ Indication of correct rope tension
- ▶ Plug connector M12
- ▶ 1 cable entry M20 x 1.5
- ▶ LED left or right
- ▶ Switching elements with 4 switching contacts



Switching elements

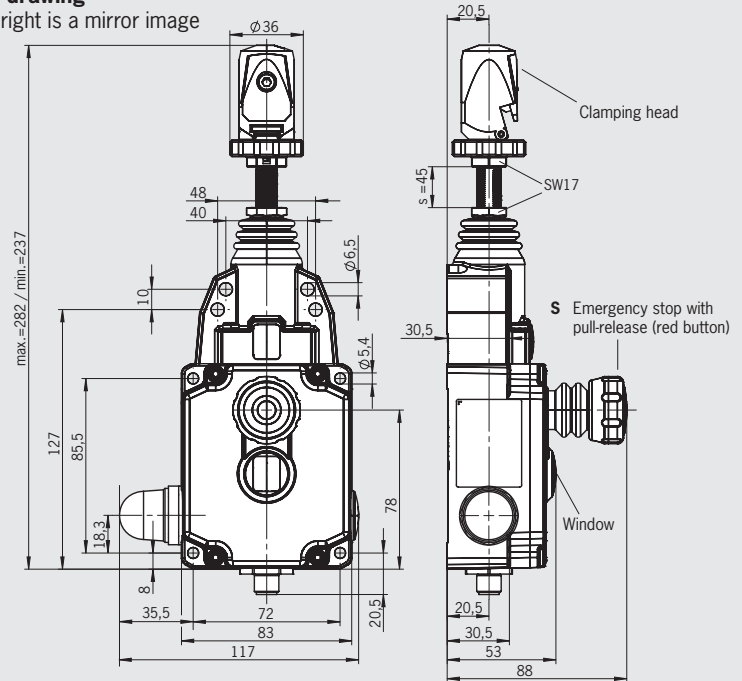
- ▶ **3131** Slow-action switching contact
2 NC ⊖ + 2 NO

Plug connector M12

5-pin, pull-release for emergency stop, clamping head for tensioning rope

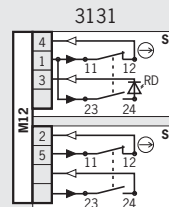
Dimension drawing

LED on the right is a mirror image



For female plug see page 24

Wiring diagrams Switch not actuated



For switching functions, see technical data on page 27

Ordering table

Series	Connection	Rope attachment	Version	Actuating force [N]	Switching element	LED	Order No./item
RPS-M	Plug connector M12	C Clamping head	S Emergency stop	175	3131 2 NC ⊖ + 2 NO	left	122860 RPS-M-3131SC175SFM5LL024C2424
						right	122861 RPS-M-3131SC175SFM5RL024C2424



Rope pull switch with pull-release for emergency stop device

- ▶ Metal housing
- ▶ Emergency stop device with detent mechanism according to EN ISO 13850 and EN 60204-1
- ▶ Clamping head for pull rope
- ▶ Indication of correct rope tension
- ▶ Plug connector MR10
- ▶ 1 cable entry M20 x 1.5
- ▶ LED left or right
- ▶ Switching elements with 4 switching contacts



Switching elements

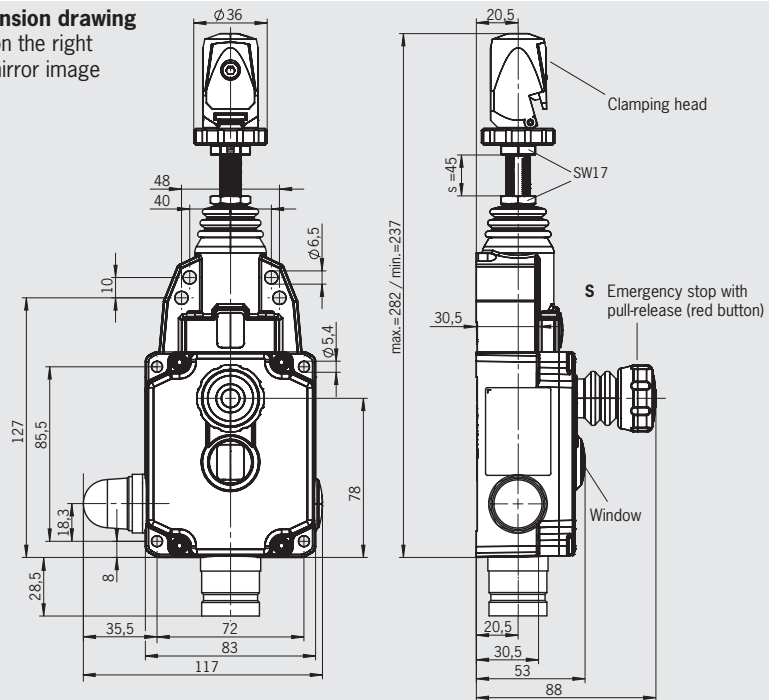
- ▶ **3131** Slow-action switching contact
2 NC ⊖ + 2 NO

Plug connector MR10

10-pin, pull-release for emergency stop, clamping head for tensioning rope

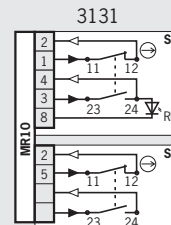
Dimension drawing

LED on the right is a mirror image



Wiring diagrams

Switch not actuated



For switching functions, see technical data on page 27

Ordering table

Series	Connection	Rope attachment	Version	Actuating force [N]	Switching element	LED	Order No./item
RPS-M	Plug connector MR10	C Clamping head	S Emergency stop	175	3131 2 NC ⊖ + 2 NO	left	119838 RPS-M-3131SC175BHA10LL024
						right	119841 RPS-M-3131SC175BHA10RL024
			S Emergency stop	300	3131 2 NC ⊖ + 2 NO	left	119839 RPS-M-3131SC300BHA10LL024
						right	119840 RPS-M-3131SC300BHA10RL024

Accessories for rope pull switches

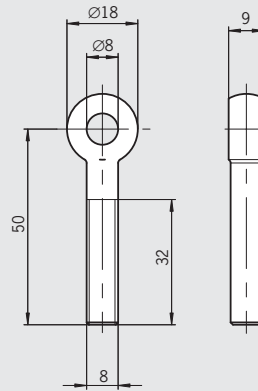
- ▶ Eyebolt
- ▶ Rope set
- ▶ Pulley set
- ▶ Rope pulley block
- ▶ Turnbuckle
- ▶ Tensioner spring
- ▶ Tensioning rope
- ▶ Built-in LED

Built-in LED

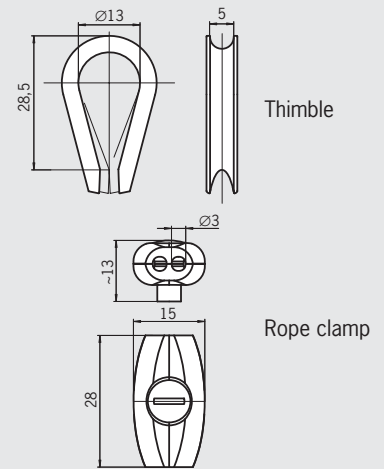
The built-in LED is suitable for direct installation in one of the M20 x 1.5 threads of the three cable entries in the rope pull switch RPS. The built-in LED indicates to the operator whether the switch is actuated or not. The switching element can be wired individually. Operating voltage DC 24 V +10%, -15%.

Eyebolt Thread M8

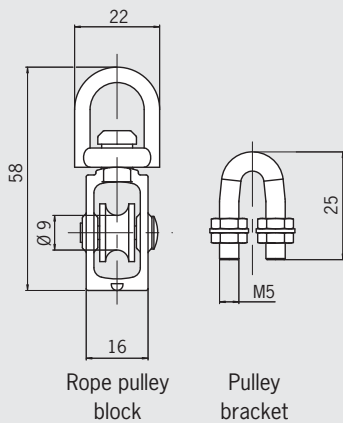
Dimension drawings



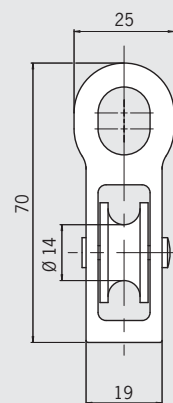
Rope set



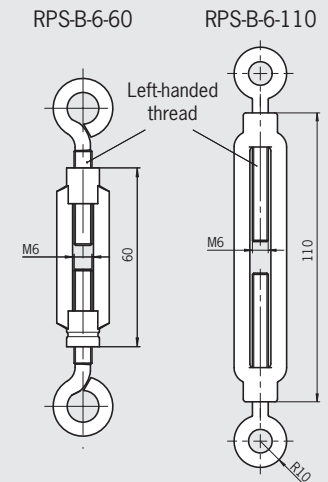
Pulley set RPS-PS/V5



Rope pulley block RPS-P



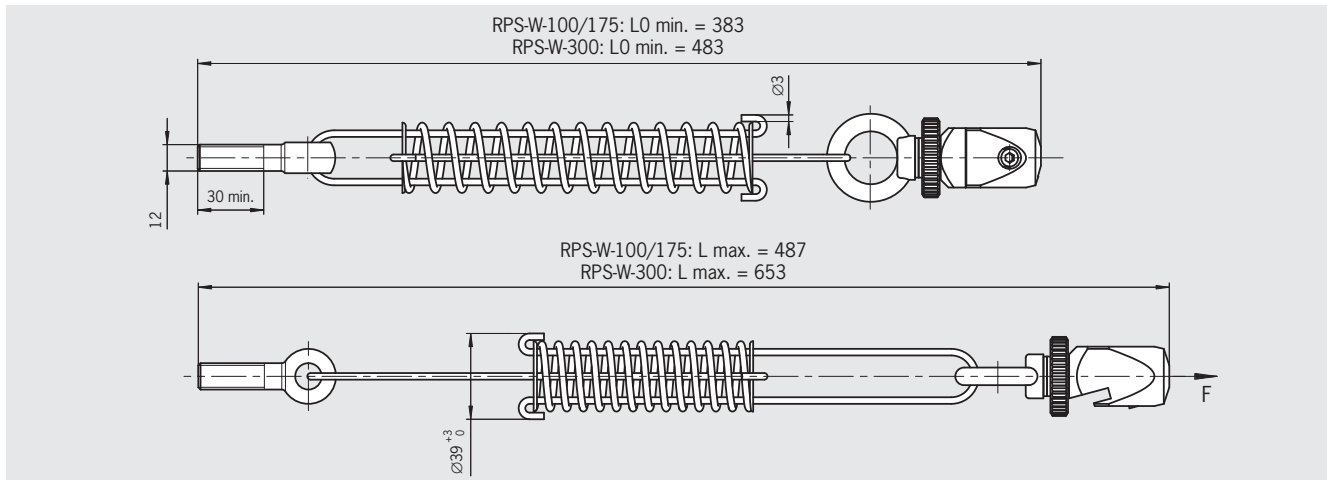
Turnbuckle



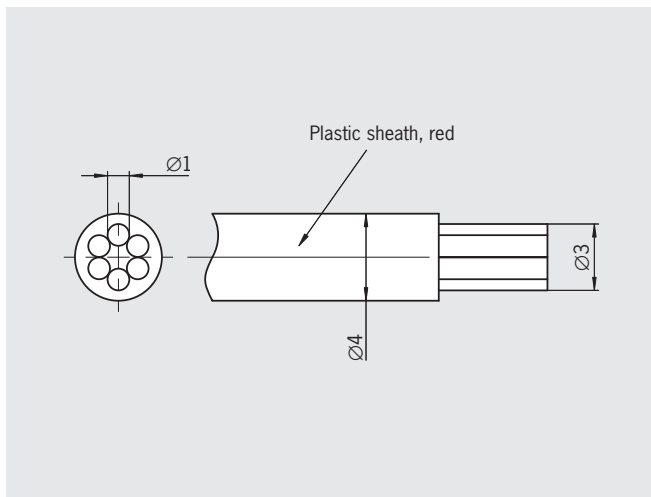
Ordering table

Designation	Version	Packaging unit	Order No./item
Eyebolt	Thread M8	5 pcs.	092495 RPS-O-8-50/V5
Rope set	Consisting of thimble and rope clamp	5 pcs.	092496 RPS-RS/V5
Pulley set RPS-PS/V5	Consisting of rope pulley block \varnothing 9 mm and pulley bracket	5 pcs.	092501 RPS-PS/V5
Rope pulley block RPS-P	Rope pulley block \varnothing 14 mm	1 pcs.	096251 RPS-P
Turnbuckle	M6 x 60	5 pcs.	092498 RPS-B-6-60/V5
	M6 x 110	1 pcs.	092500 RPS-B-6-110

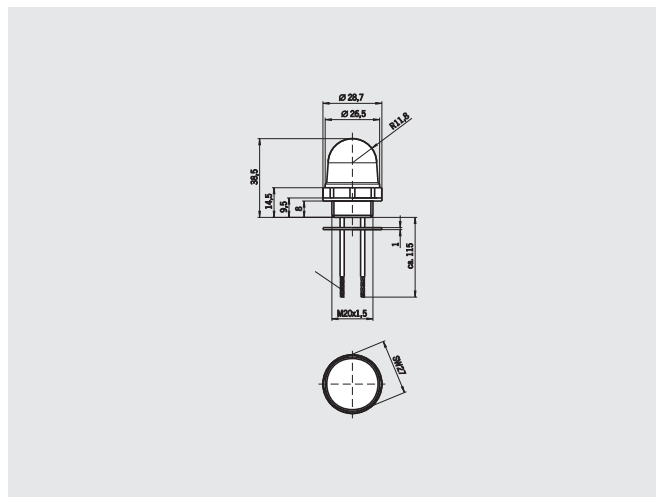
Tensioner spring



Tensioning rope



Built-in LED



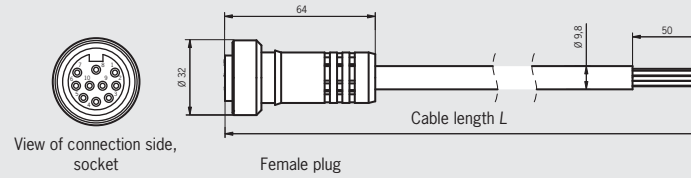
Ordering table

Designation	Version	Packaging unit	Order No./item
Tensioner spring	For tensile force 110 N / 175 N	1 pcs.	092136 RPS-W-100/175
	For tensile force 300 N	1 pcs.	092138 RPS-W-300
Tensioning rope	Length 50 m	1 pcs.	092813 RPS+3-4/50m
	Length 100 m	1 pcs.	092814 RPS+3-4/100m
Built-in LED	Color red for cable entry M20 x 1.5, with seal Light radiation to side	1 pcs.	087423 LED M20x1.5
	Color red for cable entry M20 x 1.5, with seal light radiation to front	1 pcs.	095510 LED-F M20x1.5

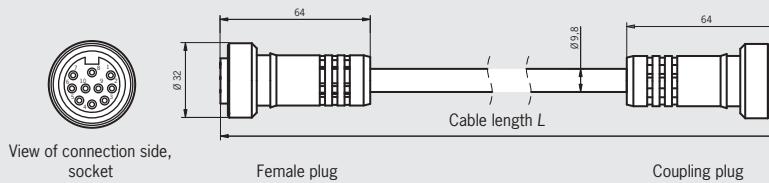
Female plugs/extension cables for rope pull switch RPS...MR10

Female plug with cable 10-pin

Dimension drawings



Extension cable 10-pin



Assignment of female plug MR10 with cable

Pin	Wire color	Conductor cross-section [mm ²]
1	OG	0.82 (18 AWG)
2	BU	0.82 (18 AWG)
3	WH/BK	0.82 (18 AWG)
4	RD/BK	0.82 (18 AWG)
5	GN/BK	0.82 (18 AWG)

Pin	Wire color	Conductor cross-section [mm ²]
6	OG/BK	0.82 (18 AWG)
7	RD	0.82 (18 AWG)
8	GN/YE	0.82 (18 AWG)
9	BK	0.82 (18 AWG)
10	WH	0.82 (18 AWG)

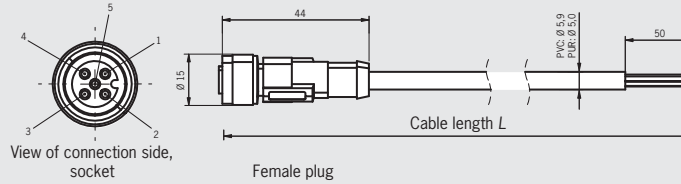
Ordering table

Version	Material	Cable length L [mm]						
		1,800	3,600	6,000	9,100	12,100	15,200	18,200
Female plug with cable 10-pin	PVC	100949	100950	100951	100952	102505	100953	-
	PUR	102516	102517	102518	100956	102519	102520	102521
Extension cable 10-pin	PVC	-	100954	-	100955	-	-	-
	PUR	-	-	100957	-	-	100958	-

Female plug for rope pull switch RPS...SFM5 (M12)

Female plug with cable
5-pin

Dimension drawings



Assignment of female plug SFM5 with cable

Pin	Wire color	Conductor cross-section [mm ²]
1	BN	0.34 (22 AWG)
2	WH	0.34 (22 AWG)
3	BU	0.34 (22 AWG)
4	BK	0.34 (22 AWG)
5	GY	0.34 (22 AWG)

Ordering table

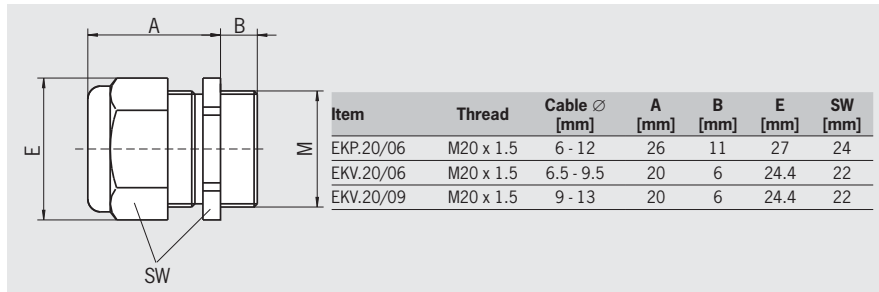
Version	Material	Cable length L [mm]			
		5,000	10,000	20,000	30,000
Female plug with cable 5-pin	PVC	100183	100184	100185	-
	PUR	113620	113640	113682	122784

Cable glands

► M20 x 1.5

Cable glands

Suitable for various cable diameters. Versions available in plastic and metal.



Ordering table

Thread	Version	Material	
		Metal	Plastic
M20 x 1.5	Cable diameter 6 - 12 mm	-	086233 EKPM20/06
	Cable diameter 6.5 - 9.5 mm	077683 EKVM20/06	-
	Cable diameter 9 - 13 mm	077684 EKVM20/09	-

Technical data of rope pull switch RPS



The technical data on switches and switching elements apply to all connections. Further technical data are given for the connection selected.

Reliability values according to EN ISO 13849-1

Parameter	Value	Unit
B10d	RPS	1 x 10 ⁵ operating cycles
	RPS-M	2 x 10 ⁵ operating cycles

Switch, plastic housing

Parameter	Value	Unit		
Housing material	Reinforced thermoplastic			
Actuator material	Die-cast zinc, steel			
Mechanical life	Acc. to EN 60947-5-5			
Ambient temperature	- 25 ... + 70	°C		
Weight	Approx. 0.8	kg		
Latching device	Acc. to EN ISO 13850			
	RPS...100	RPS...175		
Actuating force	100	175	300	N
Rope length max.	25	37.5	75	m
Rope diameter		2 ... 5		mm
Rope attachment	RPS...R...	Via pull lug		
	RPS...C...	Via clamping head		
Version	RPS...P...	Blue reset button		
	RPS...S...	Emergency stop		

Switch, metal housing

Parameter	Value	Unit		
Housing material	Die-cast aluminum			
Actuator material	Die-cast zinc, steel			
Mechanical life	Acc. to EN 60947-5-5			
Ambient temperature	- 30 ... + 80	°C		
Weight	Approx. 1.00	kg		
Latching device	Acc. to EN ISO 13850			
	RPS...175	RPS...300		
Actuating force	175	300	N	
Rope length max.	37.5	75	m	
Rope diameter		2 ... 5	mm	
Rope attachment	RPS...C...	Via clamping head		
Version	RPS...S...	Emergency stop		


Switching element

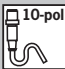


Parameter	Value	Unit
Switching principle	Slow-action switching contact	
Switching element with 4 switching contacts	2131 3 NC \ominus + 1 NO	3131 2 NC \ominus + 2 NO
Contact opening gap	> 2 x 2 mm	
Min. switching current at 24 V DC	10	mA


Pre-failure monitoring

Parameter	Value	Unit
Rated insulation voltage U _i	250	V AC/DC
Conventional thermal current I _{th}	10	A
Rated operating voltage U _e	240	V
Utilization category acc. to IEC 60947-5-1	AC-15	I _e 3 A U _e 240 V / I _e 6 A U _e 120 V
	DC-13	I _e 0.27 A U _e 250 V
	DC-15	I _e 0.55 A U _e 125 V
Short circuit protection acc. to IEC 60269-1 (control circuit fuse)	6	A DI/gG
Safety class	I	

Connection, cable entry M20 x 1.5				
Parameter			Value	Unit
Connection			Screw terminal	
Version			M20 x 1.5	
Conductor cross-section			0.5 ... 1.5	mm ²
Degree of protection acc. to IEC 60529			IP 67	
Rated insulation voltage U _i			250	V AC/DC
Rated impulse withstand voltage U _{imp}			2.5	kV
Conventional thermal current I _{th}			10	A
Short circuit protection acc. to IEC 60269-1 (control circuit fuse)			6	A gG
Utilization category acc. to IEC 60947-5-1	AC-15		I _e 3 A U _e 240 V	

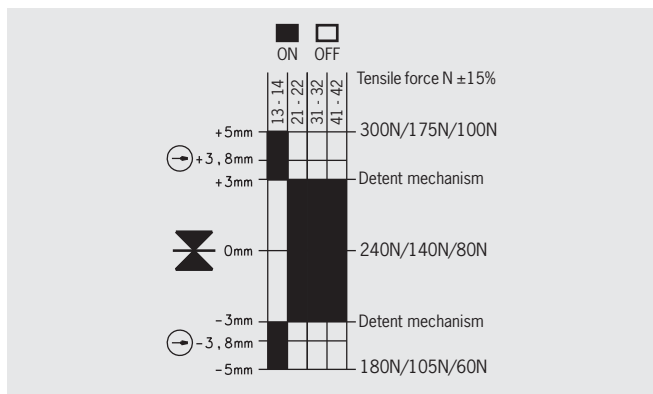
Connection, plug connector MR10				
Parameter			Value	Unit
Connection			Plug connector	
Version			MR10 (10-pin)	
Degree of protection acc. to IEC 60529			IP 65 ¹⁾	
Rated insulation voltage U _i			50	V AC/DC
Rated impulse withstand voltage U _{imp}			2.5	kV
Conventional thermal current I _{th}			4	A
Short circuit protection acc. to IEC 60269-1 (control circuit fuse)			4	A gG
Utilization category acc. to IEC 60947-5-1	AC-15		I _e 3 A U _e 50 V	
	DC-13		I _e 3 A U _e 24 V	

1) Screwed tight with the related plug connector (see page 20)

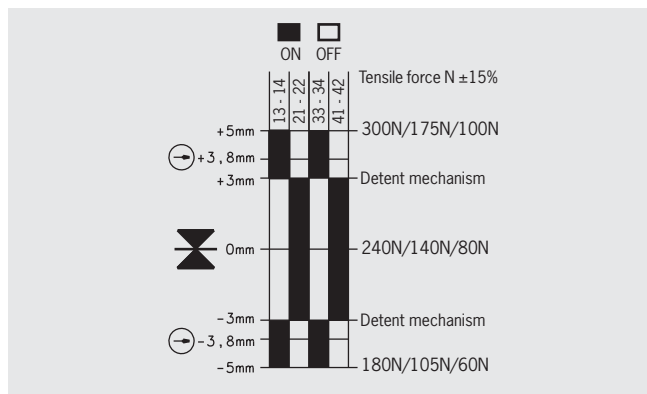
Connection, plug connector M12				
Parameter			Value	Unit
Connection			Plug connector	
Version			M12 (5-pin, without PE)	
Degree of protection acc. to IEC 60529	- for housing without LED		IP 67 ¹⁾	
	- for housing with LED		IP 65 ¹⁾	
Rated insulation voltage U _i			50	V AC/DC
Rated impulse withstand voltage U _{imp}			2.5	kV
Conventional thermal current I _{th}			4	A
Short circuit protection acc. to IEC 60269-1 (control circuit fuse)			4	A gG
Utilization category acc. to IEC 60947-5-1	AC-15		I _e 3 A U _e 50 V	
	DC-13		I _e 0.27 A U _e 50 V	

1) Screwed tight with the related plug connector (see page 20)

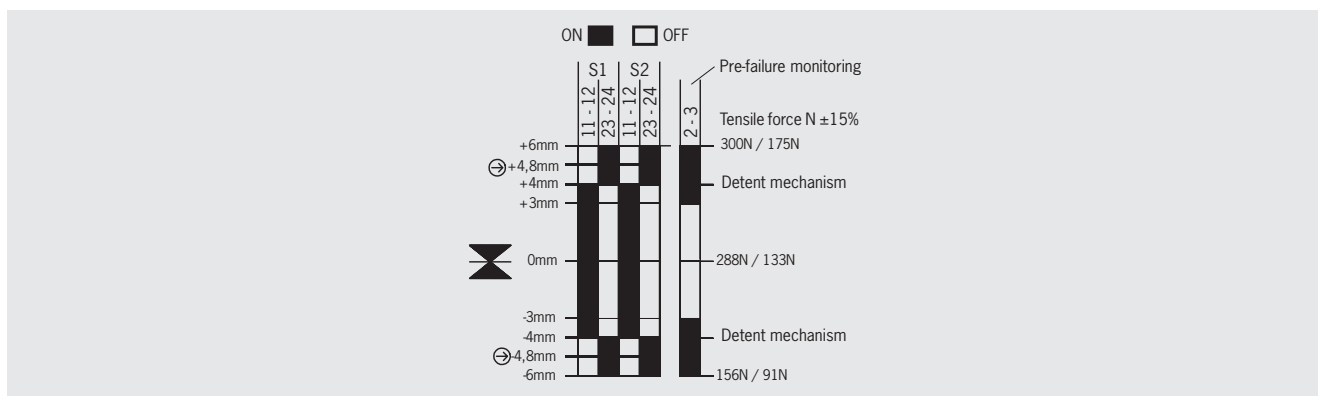
Travel diagram RPS2131...



Travel diagram RPS3131...



Travel diagram RPS-M-3131... with metal housing Travel diagram RPS-M-E-3131... with metal housing and pre-failure monitoring



Technical data, rope pull switch RPS accessories

Tensioner spring

Parameter	Value	Unit
Material of rope clamp	Die-cast zinc/steel	
Material of spring	X12CrNi177 (1.4310)	
Eyebolt	DIN 444 M12x50-4.6 Zn	
Ambient temperature	-25 ... +70	°C
Rope diameter	2 ... 5	mm
Rope attachment	Quick-action clamping device	
	RPS-W-100/175	RPS-W-300
Spring rate	2.1	1.9
Maximum spring force	218	335
Weight	Approx. 0.5	Approx. 0.55
		N/mm
		N
		kg

Built-in LED

Parameter	Value	Unit
Material of housing	ABS/PC blend, black	
Material of cap	Transparent polycarbonate	
Degree of protection (fitted in rope pull switch)	IP 65	
Ambient temperature	-20 ... +50	°C
Connection	2 strands	
Mounting	M20 x 1.5	
Operating voltage	24	V DC
Switch-on current	< 0.5	A
Current consumption	45	mA

Index by item designation

Item	Order no.	Page
EKPM20/06	086233	24
EKVM20/06	077683	24
EKVM20/09	077684	24
ES-FB1W-XW1E-BV412MFR-YO	105017	7
ES-FB1W-XW1E-LV412Q4MFR-YO	105018	7
ES-HAAV-27	106342	8
ES-HNAV-27	106341	8
ES-HWAV-27	106340	8
ES-MT-001	106339	8
ES-MW9Z-T1	106337	8
ES-XA1E-BV3U02R	106435	7
ES-XN4E-BL412MFRH	105015	7
ES-XN4E-BL413MFRH	124713	7
ES-XN4E-LL412Q4MFR	105016	7
ES-XN4E-LL413Q4MFR	124712	7
ES-XN9Z-T1	106338	8
ES-XW1E-BV404MFR	113893	7
ES-XW1E-BV412MFR	105013	7
ES-XW1E-LV404Q4MFR	114354	7
ES-XW1E-LV412Q4MFR	105014	7
LED M20x1.5	087423	22
LED-F M20x1.5	095510	22
RPS-B-6-110	092500	21
RPS-B-6-60/V5	092498	21
RPS-I-3-4/100m	092814	22
RPS-I-3-4/50m	092813	22
RPS-M-3131SC175BHA10LL024	119838	20
RPS-M-3131SC175BHA10RL024	119841	20
RPS-M-3131SC175M	114983	17
RPS-M-3131SC175SFM5	119842	18
RPS-M-3131SC175SFM5LL024C2424	122860	19
RPS-M-3131SC175SFM5RL024C2424	122861	19
RPS-M-3131SC300BHA10LL024	119839	20
RPS-M-3131SC300BHA10RL024	119840	20
RPS-M-3131SC300M	114984	17
RPS-M-3131SC300SFM5	119844	18
RPS-M-E-3131SC175M	114981	17
RPS-M-E-3131SC300M	114982	17
RPS-O-8-50/V5	092495	21
RPS-P	096251	21
RPS-PS/V5	092501	21
RPS-RS/V5	092496	21
RPS-W-100/175	092136	22
RPS-W-300	092138	22
RPS2131PC100M	094852	15
RPS2131PC175M	094853	15
RPS2131PC300M	094854	15
RPS2131PR100M	094849	14
RPS2131PR175M	094850	14
RPS2131PR300M	094851	14
RPS2131SC100M	094430	15
RPS2131SC175M	094431	15
RPS2131SC300M	094432	15
RPS3131PC100M	088885	15
RPS3131PC175M	088886	15
RPS3131PC300M	088887	15
RPS3131PR100M	088888	14
RPS3131PR175M	088889	14
RPS3131PR300M	088890	14
RPS3131SC100BHA10LL024	094083	16
RPS3131SC100BHA10RL024	094084	16
RPS3131SC100M	088882	15
RPS3131SC175BHA10LL024	094085	16

Item	Order no.	Page
RPS3131SC175BHA10RL024	094086	16
RPS3131SC175M	088883	15
RPS3131SC300BHA10LL024	094087	16
RPS3131SC300BHA10RL024	094088	16
RPS3131SC300M	088884	15

Index by order number

Order no.	Item	Page	Order no.	Item	Page
077683	EKVM20/06	24	119844	RPS-M-3131SC300SFM5	18
077684	EKVM20/09	24	122860	RPS-M-3131SC175SFM5LL024C2424	19
086233	EKPM20/06	24	122861	RPS-M-3131SC175SFM5RL024C2424	19
087423	LED M20x1.5	22	124712	ES-XN4E-LL413Q4MFR	7
088882	RPS3131SC100M	15	124713	ES-XN4E-BL413MFRH	7
088883	RPS3131SC175M	15			
088884	RPS3131SC300M	15			
088885	RPS3131PC100M	15			
088886	RPS3131PC175M	15			
088887	RPS3131PC300M	15			
088888	RPS3131PR100M	14			
088889	RPS3131PR175M	14			
088890	RPS3131PR300M	14			
092136	RPS-W-100/175	22			
092138	RPS-W-300	22			
092495	RPS-O-8-50/V5	21			
092496	RPS-RS/V5	21			
092498	RPS-B-6-60/V5	21			
092500	RPS-B-6-110	21			
092501	RPS-PS/V5	21			
092813	RPS-I-3-4/50m	22			
092814	RPS-I-3-4/100m	22			
094083	RPS3131SC100BHA10LL024	16			
094084	RPS3131SC100BHA10RL024	16			
094085	RPS3131SC175BHA10LL024	16			
094086	RPS3131SC175BHA10RL024	16			
094087	RPS3131SC300BHA10LL024	16			
094088	RPS3131SC300BHA10RL024	16			
094430	RPS2131SC100M	15			
094431	RPS2131SC175M	15			
094432	RPS2131SC300M	15			
094849	RPS2131PR100M	14			
094850	RPS2131PR175M	14			
094851	RPS2131PR300M	14			
094852	RPS2131PC100M	15			
094853	RPS2131PC175M	15			
094854	RPS2131PC300M	15			
095510	LED-F M20x1.5	22			
096251	RPS-P	21			
105013	ES-XW1E-BV412MFR	7			
105014	ES-XW1E-LV412Q4MFR	7			
105015	ES-XN4E-BL412MFRH	7			
105016	ES-XN4E-LL412Q4MFR	7			
105017	ES-FB1W-XW1E-BV412MFR-YO	7			
105018	ES-FB1W-XW1E-LV412Q4MFR-YO	7			
106337	ES-MW9Z-T1	8			
106338	ES-XN9Z-T1	8			
106339	ES-MT-001	8			
106340	ES-HWAV-27	8			
106341	ES-HNAV-27	8			
106342	ES-HAAV-27	8			
106435	ES-XA1E-BV3U02R	7			
113893	ES-XW1E-BV404MFR	7			
114354	ES-XW1E-LV404Q4MFR	7			
114981	RPS-M-E-3131SC175M	17			
114982	RPS-M-E-3131SC300M	17			
114983	RPS-M-3131SC175M	17			
114984	RPS-M-3131SC300M	17			
119838	RPS-M-3131SC175BHA10LL024	20			
119839	RPS-M-3131SC300BHA10LL024	20			
119840	RPS-M-3131SC300BHA10RL024	20			
119841	RPS-M-3131SC175BHA10RL024	20			
119842	RPS-M-3131SC175SFM5	18			

Representatives

International

Austria

EUCHNER GmbH
Süddruckgasse 4
2512 Tribuswinkel
Tel. +43 2252 42191
Fax +43 2252 45225
info@euchner.at

Benelux

EUCHNER (BENELUX) BV
Visschersbuurt 23
3356 AE Papendrecht
Tel. +31 78 615-4766
Fax +31 78 615-4311
info@euchner.nl

Brazil

EUCHNER Ltda
Av. Prof. Luiz Ignácio Anhaia Mello,
no. 4387
Vila Ema
São Paulo - SP - Brasil
CEP 03295-000
Tel. +55 11 29182200
Fax +55 11 23010613
euchner@euchner.com.br

Canada

IAC & Associates Inc.
2105 Fasan Drive
Oldcastle, ON NOR 1L0
Tel. +1 519 737-0311
Fax +1 519 737-0314
sales@iacnassociates.com

China

EUCHNER (Shanghai)
Trading Co., Ltd.
No. 15 building,
No. 68 Zhongchuang Road,
Songjiang
Shanghai, 201613, P.R.C
Tel. +86 21 5774-7090
Fax +86 21 5774-7599
info@euchner.com.cn

Czech Republic

EUCHNER electric s.r.o.
Videňská 134/102
61900 Brno
Tel. +420 533 443-150
Fax +420 533 443-153
info@euchner.cz

Denmark

Duelco A/S
Systemvej 8 - 10
9200 Aalborg SV
Tel. +45 7010 1007
Fax +45 7010 1008
info@duelco.dk

Finland

Sähkölehto Oy
Holkkitie 14
00880 Helsinki
Tel. +358 9 7746420
Fax +358 9 7591071
office@sahkolehto.fi

France

EUCHNER France S.A.R.L.
Parc d'Affaires des Bellevues
Allée Rosa Luxembourg
Bâtiment le Colorado
95610 ERAGNY sur OISE
Tel. +33 1 3909-9090
Fax +33 1 3909-9099
info@euchner.fr

Hungary

EUCHNER Ges.mBH
Magyarországi Fióktelep
FSD Park 2,
2045 Törökbalint
Tel. +36 2342 8374
Fax +36 2342 8375
info@euchner.hu

India

EUCHNER (India) Pvt. Ltd.
401, Bremen Business Center,
City Survey No. 2562,
University Road
Aundh, Pune - 411007
Tel. +91 20 64016384
Fax +91 20 25885148
info@euchner.in

Israel

Ilan & Gavish Automation Service Ltd.
26 Shenkar St. Qiryat Arie 49513
P.O. Box 10118
Petach Tikva 49001
Tel. +972 3 9221824
Fax +972 3 9240761
mail@ilan-gavish.com

Italy

TRITECNICA SpA
Viale Lazio 26
20135 Milano
Tel. +39 02 541941
Fax +39 02 55010474
info@tritecnica.it

Japan

EUCHNER Co., Ltd.
1662-3 Komakiharashinden
Komaki-shi, Aichi-ken
485-0012, Japan
Tel. +81 568 42 0157
Fax +81 568 42 0159
info@euchner.jp

Korea

EUCHNER Korea Co., Ltd.
115 Gasan Digital 2 - Ro
(Gasan-dong, Daeryung
Technotown 3rd Rm 810)
153-803 Kumchon-Gu, Seoul
Tel. +82 2 2107-3500
Fax +82 2 2107-3999
info@euchner.co.kr

Mexico

EUCHNER México S de RL de CV
Conjunto Industrial PK Co.
Carretera Estatal 431 km. 1+300
Ejido El Colorado, El Marqués
76246 Querétaro, México
Tel. +52 442 402 1485
Fax +52 442 402 1486
info@euchner.mx

Poland

ELTRON
Pl. Wolności 7B
50-071 Wrocław
Tel. +48 71 3439755
Fax +48 71 3441141
eltron@eltron.pl

Republic of South Africa

RUBICON
ELECTRICAL DISTRIBUTORS
4 Reith Street, Sidwell
6061 Port Elizabeth
Tel. +27 41 451-4359
Fax +27 41 451-1296
sales@rubiconelectrical.com

Romania

First Electric SRL
Str. Ritmului Nr. 1 Bis
Ap. 2, Sector 2
021675 Bucuresti
Tel. +40 21 2526218
Fax +40 21 3113193
office@firstelectric.ro

Russia

VALEX electro
Uliza Karjer dom 2, Str. 9, Etash 2
117449 Moskwa
Tel. +7 495 41196-35
Fax +7 495 41196-36
info@valex-electro.ru

Singapore

Sentronics
Automation & Marketing Pte Ltd.
Blk 3, Ang Mo Kio Industrial Park 2A
#05-06
Singapore 568050
Tel. +65 6744 8018
Fax +65 6744 1929
info@sentronics-asia.com

Slovakia

EUCHNER electric s.r.o.
Videňská 134/102
61900 Brno
Tel. +420 533 443-150
Fax +420 533 443-153
info@euchner.cz

Slovenia

SMM proizvodni sistemi d.o.o.
Jaskova 18
2000 Maribor
Tel. +386 2 4502326
Fax +386 2 4625160
franc.kit@smm.si

Spain

EUCHNER, S.L.
Gurutzegi 12 - Local 1
Polígono Belartza
20018 San Sebastian
Tel. +34 943 316-760
Fax +34 943 316-405
info@euchner.es

Sweden

Censit AB
Box 331
33123 Värnamo
Tel. +46 370 691010
Fax +46 370 18888
info@censit.se

Switzerland

EUCHNER AG
Falknisstrasse 9a
7320 Sargans
Tel. +41 81 720-4590
Fax +41 81 720-4599
info@euchner.ch

Taiwan

Daybreak Int'l (Taiwan) Corp.
3F, No. 124, Chung-Cheng Road
Shihlin 11145, Taipei
Tel. +886 2 8866-1234
Fax +886 2 8866-1239
day111@ms23.hinet.net

Turkey

EUCHNER Endüstriyel Emniyet
Teknolojileri Ltd. Şti.
Hattat Bahattin Sok.
Ceylan Apt. No. 13/A
Göztepe Mah.
34730 Kadıköy / Istanbul
Tel. +90 216 359-5656
Fax +90 216 359-5660
info@euchner.com.tr

United Kingdom

EUCHNER (UK) Ltd.
Unit 2 Petre Drive,
Sheffield
South Yorkshire
S4 7PZ
Tel. +44 114 2560123
Fax +44 114 2425333
sales@euchner.co.uk

USA

EUCHNER USA Inc.
6723 Lyons Street
East Syracuse, NY 13057
Tel. +1 315 701-0315
Fax +1 315 701-0319
info@euchner-usa.com

EUCHNER USA Inc.
Detroit Office
130 Hampton Circle
Rochester Hills, MI 48307
Tel. +1 248 537-1092
Fax +1 248 537-1095
info@euchner-usa.com

Germany

Augsburg

EUCHNER GmbH + Co. KG
Ingenieur- und Vertriebsbüro
Julius-Spokojny-Weg 8
86153 Augsburg
Tel. +49 821 56786540
Fax +49 821 56786541
peter.klopper@euchner.de

Chemnitz

EUCHNER GmbH + Co. KG
Ingenieur- und Vertriebsbüro
Am Vogelherd 2
09627 Bobritzsch-Hilbersdorf
Tel. +49 37325 906000
Fax +49 37325 906004
jens.zehrtner@euchner.de

Düsseldorf

EUCHNER GmbH + Co. KG
Ingenieur- und Vertriebsbüro
Tippgarten 3
59427 Unna
Tel. +49 2308 9337284
Fax +49 2308 9337285
christian.schimke@euchner.de

Essen/Dortmund

Thomas Kreißl
fördern - steuern - regeln
Hackenbergweg 8a
45133 Essen
Tel. +49 201 84266-0
Fax +49 201 84266-66
info@kreissl-essen.de

Freiburg

EUCHNER GmbH + Co. KG
Ingenieur- und Vertriebsbüro
Steige 5
79206 Breisach
Tel. +49 7664 403833
Fax +49 7664 403834
peter.seifert@euchner.de

Lübeck

EUCHNER GmbH + Co. KG
Ingenieur- und Vertriebsbüro
Am Stadtrand 13
23556 Lübeck
Tel. +49 451 88048371
Fax +49 451 88184364
martin.pape@euchner.de

Berlin

EUCHNER GmbH + Co. KG
Ingenieur- und Vertriebsbüro
Ulmenstraße 115a
12621 Berlin
Tel. +49 30 50508214
Fax +49 30 56582139
alexander.walz@euchner.de

Nürnberg

EUCHNER GmbH + Co. KG
Ingenieur- und Vertriebsbüro
Steiner Straße 22a
90522 Oberasbach
Tel. +49 911 6693829
Fax +49 911 6696722
ralf.paulus@euchner.de

Stuttgart

EUCHNER GmbH + Co. KG
Ingenieur- und Vertriebsbüro
Kohlhammerstraße 16
70771 Leinfelden-Echterdingen
Tel. +49 711 7597-0
Fax +49 711 7597-303
oliver.laier@euchner.de
uwe.kupka@euchner.de

Wiesbaden

EUCHNER GmbH + Co. KG
Ingenieur- und Vertriebsbüro
Adolfallee 3
68185 Wiesbaden
Tel. +49 611 98817644
Fax +49 611 98895071
giancarlo.pasquesi@euchner.de



EUCHNER

More than safety.



Support hotline

You have technical questions about our products or how they can be used?
For further questions please contact your local sales representative.



Comprehensive download area

You are looking for more information about our products?
You can simply and quickly download operating instructions, CAD or ePLAN data and accompanying software for our products at www.euchner.com.



Customer-specific solutions

You need a specific solution or have a special requirement?
Please contact us. We can manufacture your custom product even in small quantities.



EUCHNER near you

You are looking for a contact at your location? Along with the headquarters in Leinfelden-Echterdingen, the worldwide sales network includes 16 subsidiaries and numerous representatives in Germany and abroad – you will definitely also find us near you.

www.euchner.com

EUCHNER GmbH + Co. KG

Kohlhammerstraße 16
70771 Leinfelden-Echterdingen
Germany
Tel. +49 711 7597-0
Fax +49 711 753316
info@euchner.de
www.euchner.com

EUCHNER

More than safety.