

Empty enclosure

AL 88-6



AL 88-6

Empty enclosure

CUSTOMIZABLE

Productnumber: 15000501
Dimensions: 80 x 75 x 57 mm

Empty enclosure, aluminium, powder-coated,
Silver grey similar to RAL 7001



Technical Data

electrical characteristics

Protection type UL:	not specified
Type of protection:	IP66

Colours

Cover colour:	grey
---------------	------

Dimensions

Width:	80 mm
Length:	75 mm
Height:	57 mm

Material characteristics

suitable for exterior use:	yes
----------------------------	-----

Material characteristics

Halogen free:	yes
Industry quality:	yes

mechanical properties

Type of fastening:	Wall/ceiling mounting
Cover screw torque:	2.5 Nm
Stackable:	no
Impact strength:	IK09

Ambient conditions

max. relative humidity 25°C:	95 %
max. relative humidity 40°C:	50 %
Min. ambient temperature:	-35 °C
Max. ambient temperature:	75 °C
24h ambient temperature:	60 °C

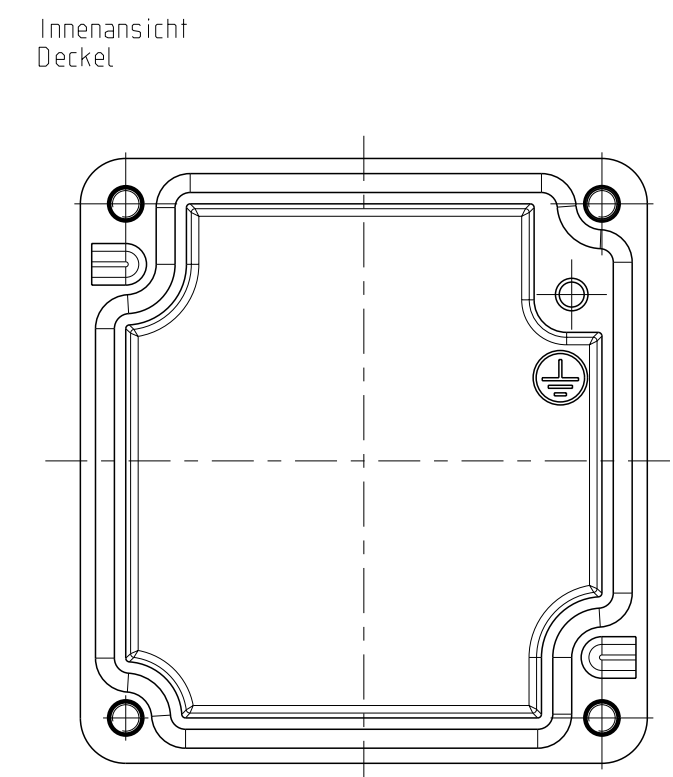
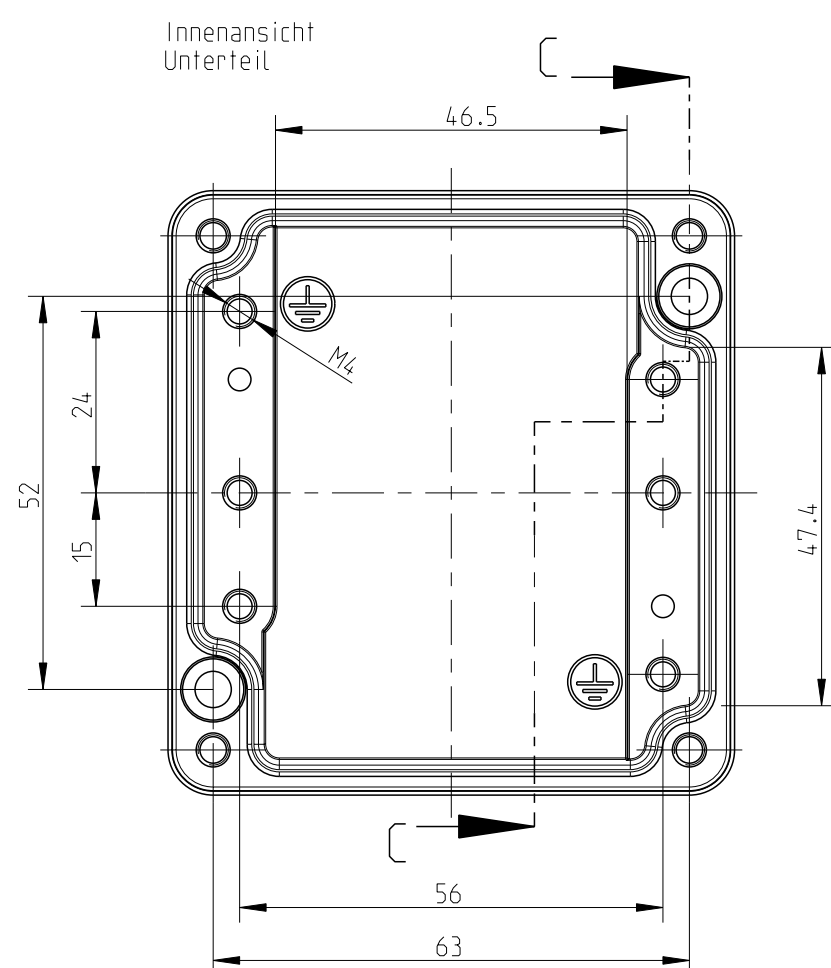
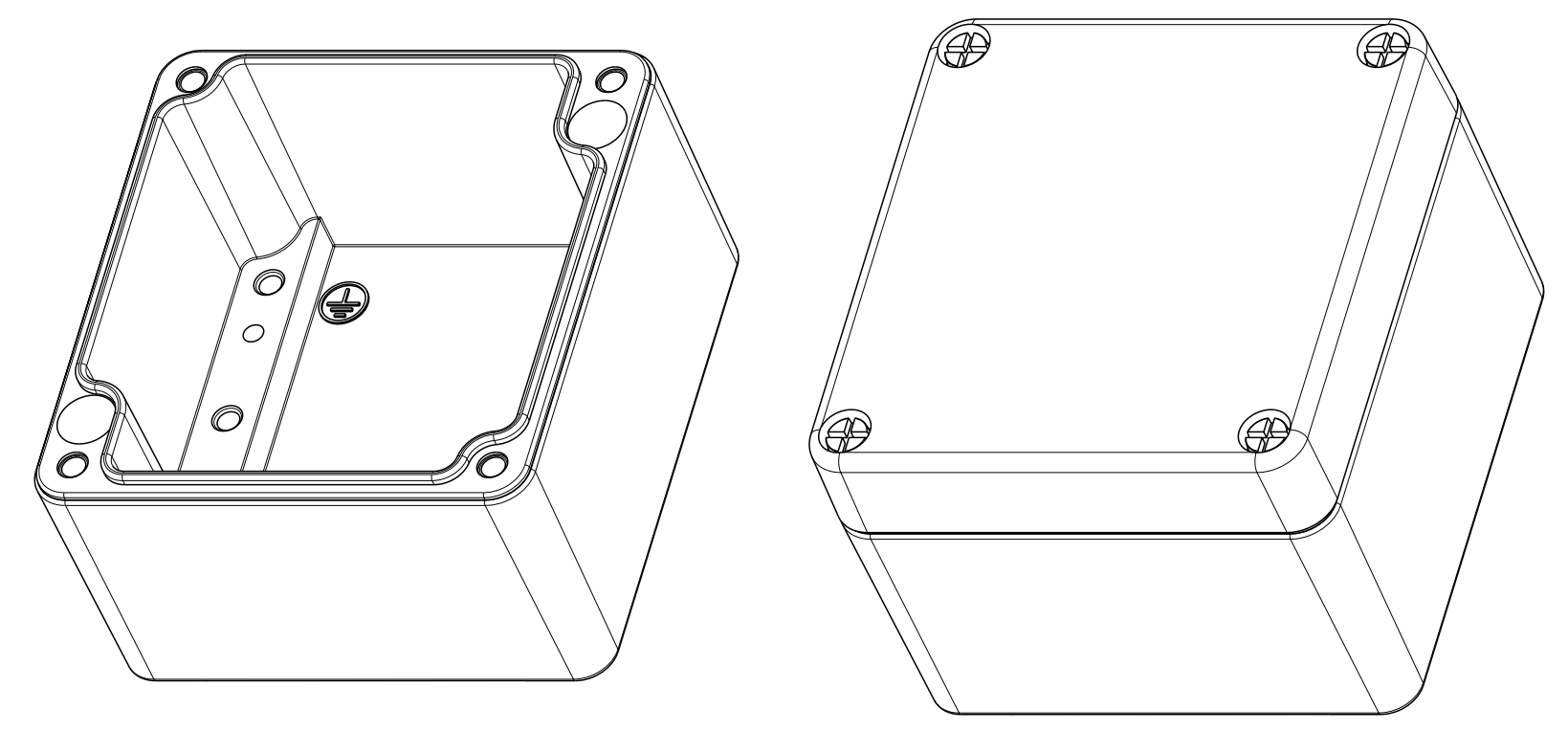
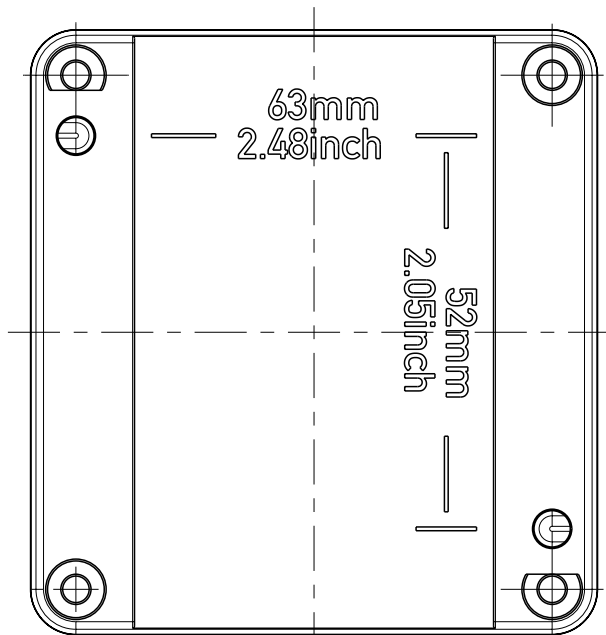
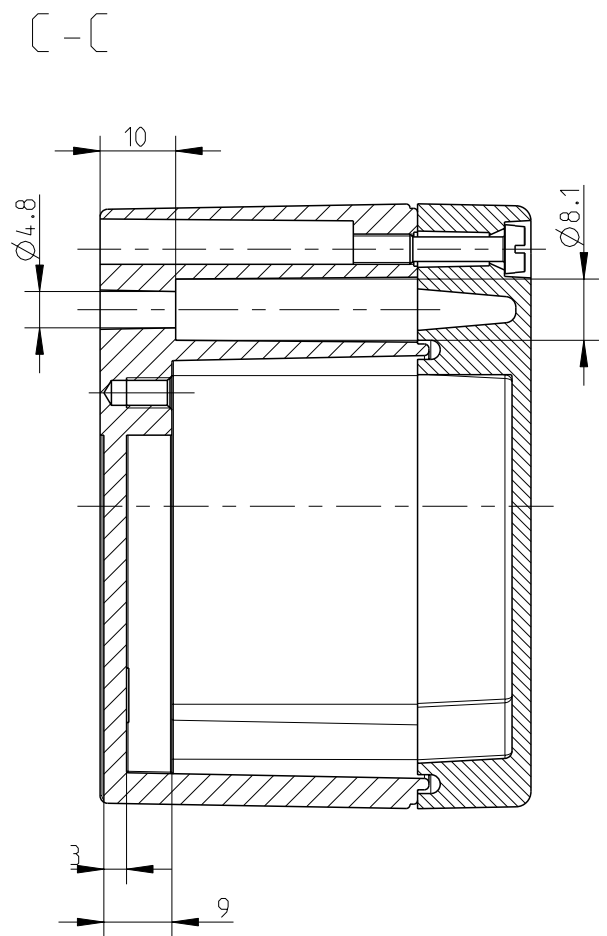
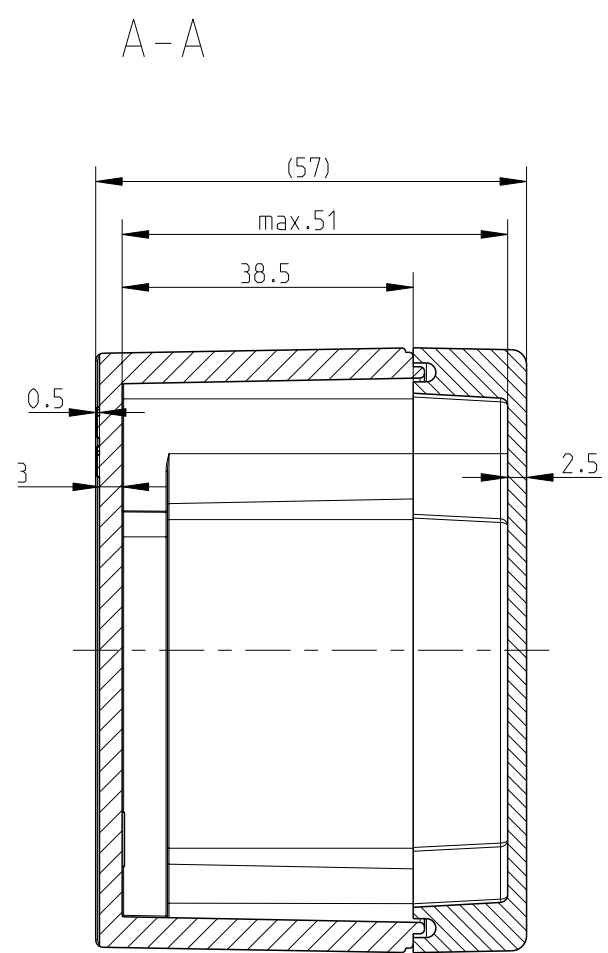
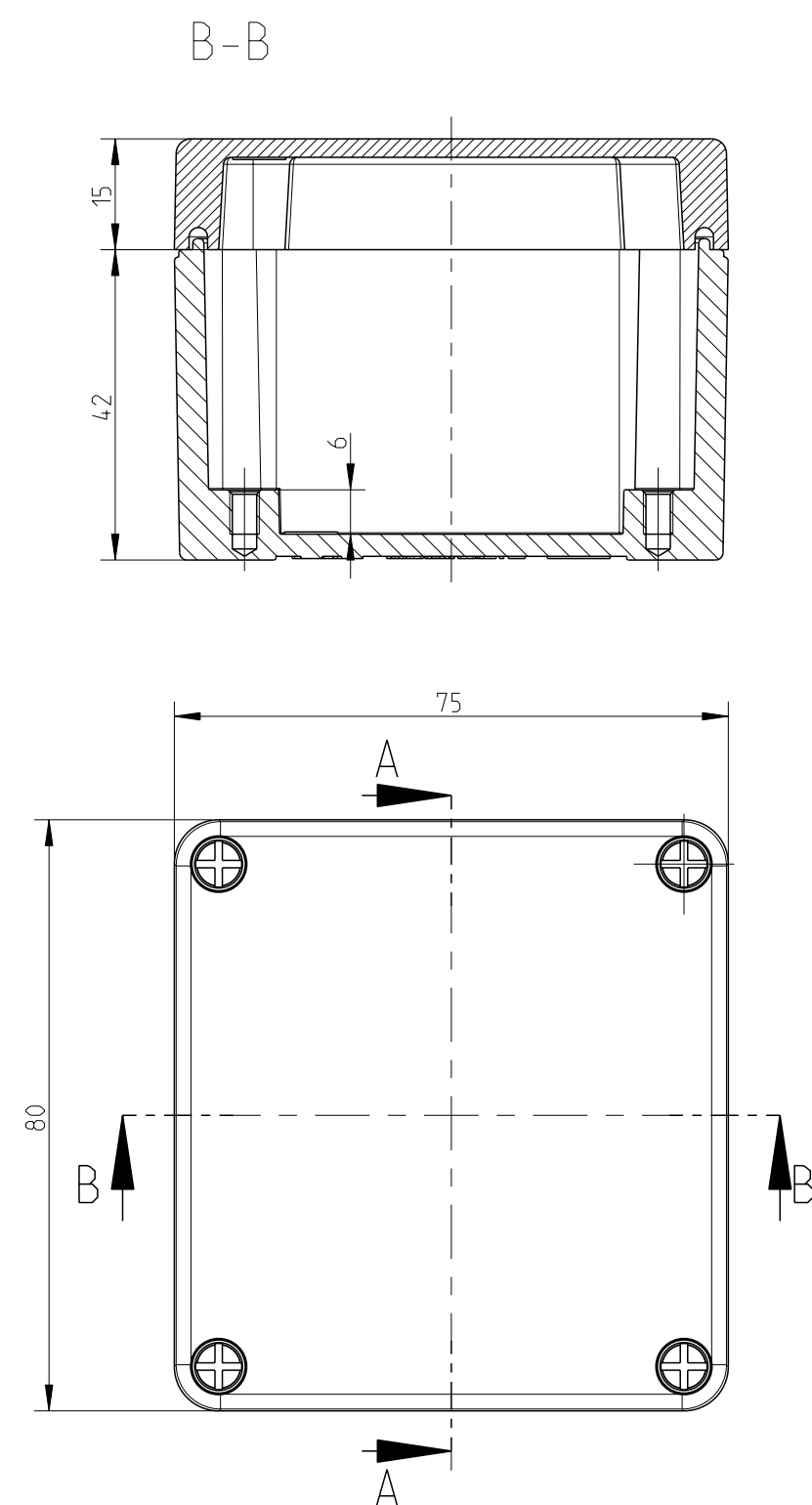
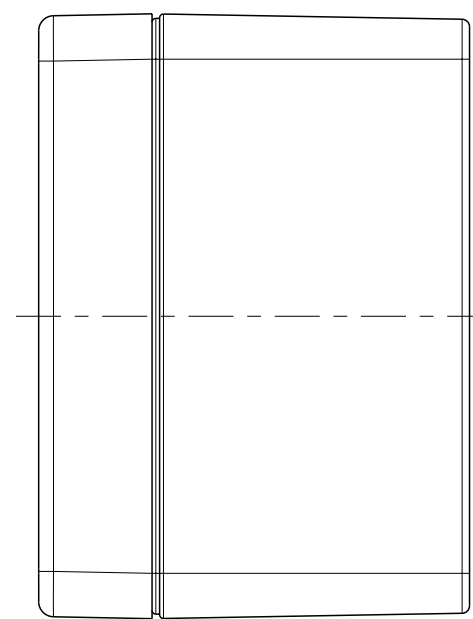
Material

Base unit material:	Aluminium
Cover material:	Aluminium
Sealing material:	Polyurethane

Accessories

[15400401 - AL ALS-kl - External attachment set](#)

[15500501 - AL MPS-88 - Mounting plate](#)



Fehlende Bemassungen können dem DXF entnommen werden
missing dimensions are provided in the DXF