









WAGO Accessories and WAGO Tools

WAGO Accessories and WAGO Tools

	Page	
	WAGOSTA® MINI; 890 Series Accessories 374	
	WAGOSTA® MIDI; 770 Series Accessories 379	
	WAGOSTA® Boxes; 899 Series Accessories 393	
	WAGOSTA® IDC; 772, 895 and 897 Series Accessories 394	
	Tools	
	Operating Tools	400
	Wire strippers	402
	Stripping Pliers, Cable Cutters, Stripping Knives	403
	Cable cutters	404
	Marking	
	Markers	405
	Self-Adhesive Marking Strips	405

Accessories ▶ WINSTA® MINI ▶ 890, 891 Series



Locking lever; for flying leads; manually operated		
Color	Item No.	PU (SPU)
black	890-101	100(50)
white	890-121	100(50)

Mounting carrier; 2- to 5-pole; for flying leads		
Color	Item No.	PU
black	890-310	100
white	890-311	100

Lockout cap; for cutout; 2-pole		
Color	Item No.	PU
black	890-642	100
white	890-692	100



Lockout cap; for cutout; 3-pole		
Color	Item No.	PU
black	890-643	100
white	890-693	100

Lockout cap; for cutout; 4-pole		
Color	Item No.	PU
black	890-644	100
white	890-694	100

Locking lever; for flying leads; tool operated		
Color	Item No.	PU (SPU)
black	890-111	100(50)
white	890-131	100(50)

Lockout cap; for cutout; 5-pole		
Color	Item No.	PU
black	770-643	100
white	770-693	100

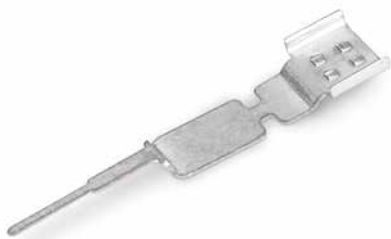


All connectors for mounted installations (snap-in versions, pluggable PCB connectors, distribution connectors) are factory-equipped with locking levers to ensure plugs and sockets are securely locked. Additional locking levers are only required for "flying leads" (plug/socket).

Locking connector via integrated lever.
Locking second connector for a secure connection.

Seal unused cutout with lockout cap.

Accessories ▶ WINSTA® MINI ▶ 890 Series



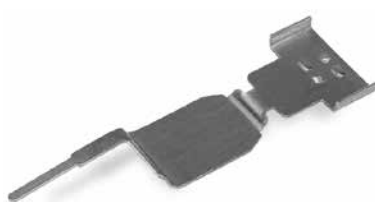
Shield connecting plate; for 3-pole plugs and sockets		
Item No.	PU	
890-523	50	



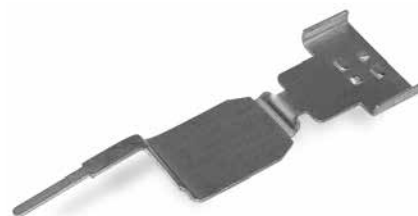
Shield connecting plate; for socket; 4-pole		
Item No.	PU	
890-524	50	



Shield connecting plate; for socket; 5-pole		
Item No.	PU	
890-526	50	



Shield connecting plate; for plug; 4-pole		
Item No.	PU	
890-525	50	



Shield connecting plate; for plug; 5-pole		
Item No.	PU	
890-527	50	



Connector with shield termination

Accessories ▶ WINSTA® MINI ▶ 890 / 891 Series



Mounting plate for distribution connector; 2-pole

Color	Item No.	PU
black	890-1622	100
white	890-1672	100



Mounting pin; for mounting plates;
5 mm Ø; 0.2 ... 1.2 mm plate thickness

Color	Item No.	PU
black	890-601	250



Protective cap; type 1;
for 890 series: 2- and 3-pole
for 891 series: 2- and 3-pole

Color	Item No.	PU
red	897-2001	25

Mounting plate; for distribution connector; 3-pole

Color	Item No.	PU
black	890-623	100
white	890-673	100

Mounting plate; for distribution connector; 4-pole

Color	Item No.	PU
black	890-624	50
white	890-674	50

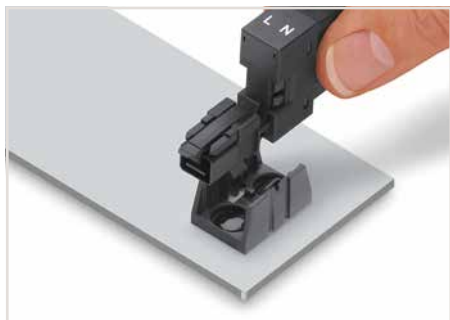
Mounting plate; for distribution connector; 5-pole

Color	Item No.	PU
black	890-625	50
white	890-675	50



Protective cap; type 2;
for 890 series: 4- and 5-pole
for 891 series: 4- and 5-pole

Color	Item No.	PU
red	897-2003	25



The distribution connectors snap together when attached to the mounting plate.



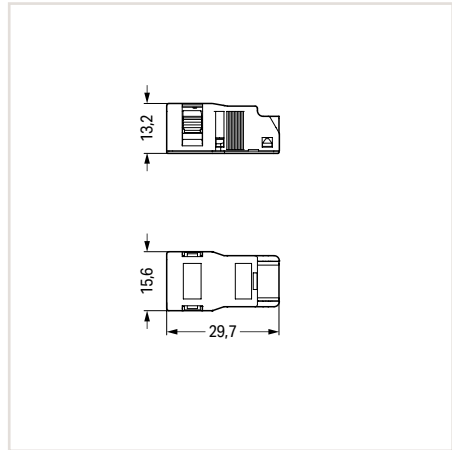
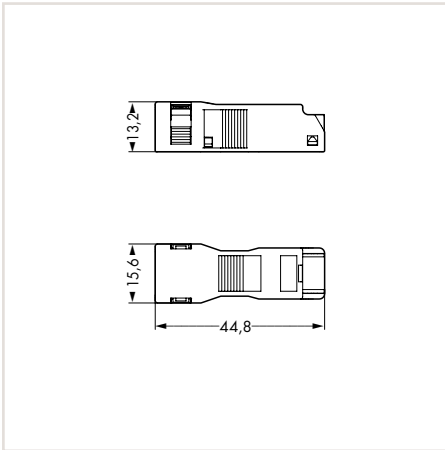
Secure the mounting plate via pins.

Accessories ▶ WINSTA® MINI ▶ 890 Series



Strain relief housing; for 3.8 ... 8.2 mm cable diameter; 32 mm strip length		
Color	Item No.	PU
black	890-502	50
white	890-512	50

Strain relief housing; short; for 3.8 ... 8.2 mm cable diameter; 17.5 mm strip length		
Color	Item No.	PU
black	890-502/342-000	50
white	890-512/342-000	50



PU = Packaging Unit; SPU = Subpackaging Unit; Dimensions in mm

Accessories ▶ WINSTA® MINI ▶ 890 Series



Strain relief housing; for 4.5 ... 10 mm cable diameter;
40 mm strip length

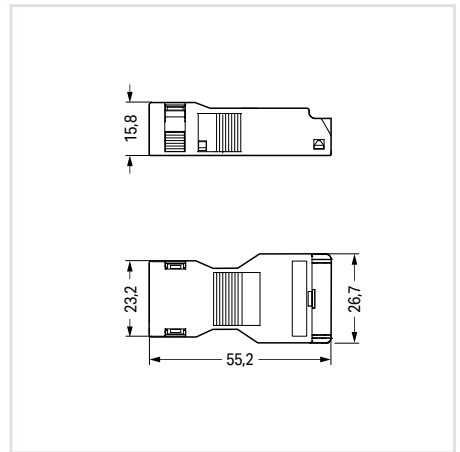
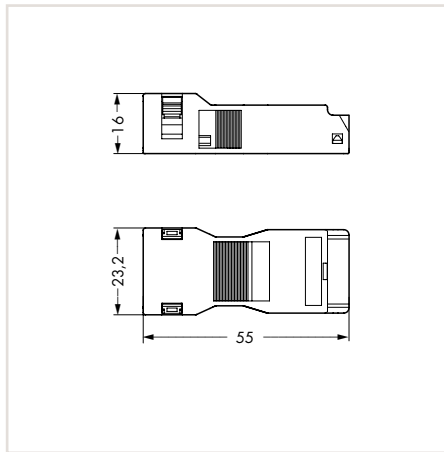
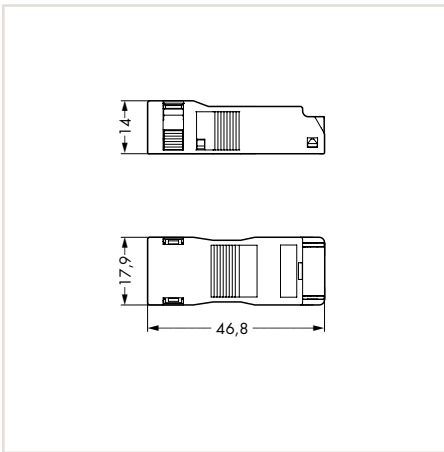
Color	Item No.	PU
black	890-503	50
white	890-513	50

Strain relief housing; for 6.5 ... 10.5 mm cable diameter;
45 mm strip length

Color	Item No.	PU
black	890-504	50
white	890-514	50

Strain relief housing; for 6.5 ... 10.5 mm cable diameter;
45 mm strip length

Color	Item No.	PU
black	890-505	50
white	890-515	50



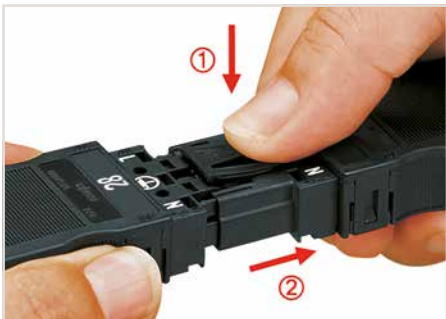
Accessories ▶ WINSTA® MIDI ▶ 770, 771 Series



Locking lever; for flying leads; manually operated		
Color	Item No.	PU (SPU)
black	770-101	100(25)
white	770-121	100(25)

Locking lever; oversized; tool operated		
Color	Item No.	PU (SPU)
gray	770-140	100(25)

Coding pin; for plug (A- and B-coding)		
Color	Item No.	PU
gray	770-401	100



Locking lever, manually operated:

- Push on locking lever
- Pull the connectors apart



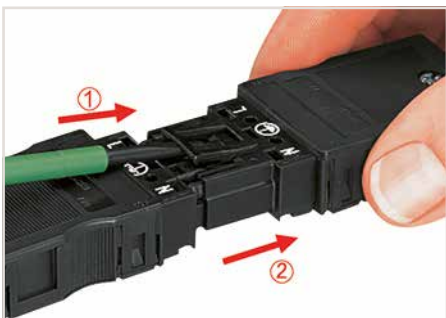
Snap-in connector with protruding locking lever



Insert coding pin into the plug.



Locking lever; for flying leads; tool operated		
Color	Item No.	PU (SPU)
black	770-111	100(25)
white	770-131	100(25)



Locking lever, tool operated:

- Unlatch locking lever
- Pull the connectors apart

PU = Packaging Unit; SPU = Subpackaging Unit; Dimensions in mm

Accessories ▶ WINSTA® MIDI ▶ 770, 771 Series



Mounting carrier; 2- to 5-pole; for flying leads

Color	Item No.	PU
black	770-310	100



Lockout cap; for socket; separable; 12-pole

Color	Item No.	PU
black	770-201	100
white	770-221	100



Lockout cap; for cutout; 3-pole

Color	Item No.	PU
black	770-643	100
white	770-693	100



Lockout cap; for cutout; 4-pole

Color	Item No.	PU
black	770-644	100
white	770-694	100

Lockout cap; for cutout; 5-pole

Color	Item No.	PU
black	770-645	100
white	770-695	100

Lockout cap; for plug; separable; 5-pole

Color	Item No.	PU
gelb	770-360	100



Seal an unmated socket by simply inserting a lockout cap. This prevents the smallest particles from entering the socket.



Seal unused cutout with lockout cap.

Accessories ▶ WINSTA® MIDI ▶ 770 Series



Protective cap; type 2; for 770 series: 2-pole for 771 series: 2- and 3-pole		
Color	Item No.	PU
red	897-2003	25



Mounting plate for distribution connector; 2-pole		
Color	Item No.	PU
black	770-1626	25
white	770-1627	25



Mounting pin; for mounting plates; 6 mm Ø; 1 ... 2.5 mm plate thickness		
Color	Item No.	PU
black	770-601	250

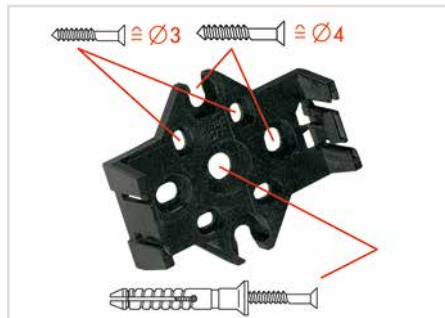


Protective cap; type 4; for 770 series: 4- and 5-pole for 771 series: 5-pole		
Color	Item No.	PU
red	897-2005	25

Mounting plate; for distribution connector; 3-pole		
Color	Item No.	PU
black	770-623	25
white	770-673	25

Mounting plate; for distribution connector; 4-pole		
Color	Item No.	PU
black	770-624	25
white	770-674	25

Mounting plate; for distribution connector; 5-pole		
Color	Item No.	PU
black	770-625	25
white	770-675	25



Mounting plates can be secured using commercially available screws or nail-drive anchors.



The mounting plate can be centrally mounted, or attached via outboard attachment points using 770-601 Mounting Pins.

Accessories ▶ WINSTA® MIDI ▶ 770 Series

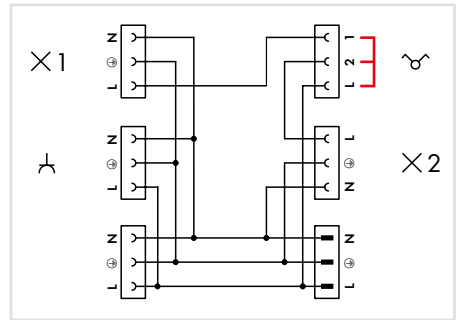
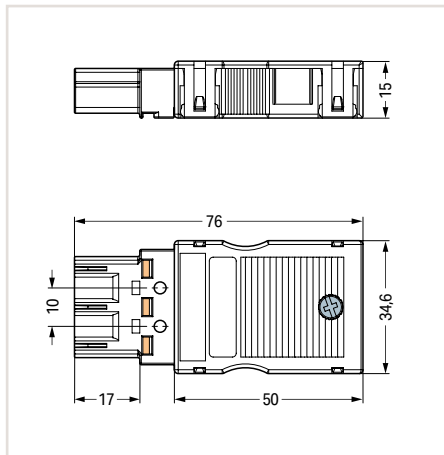
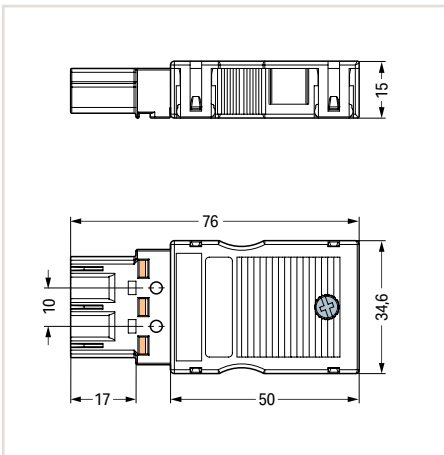


Shorting plug; S-coding; brown plug with assembled strain relief housing and bridge

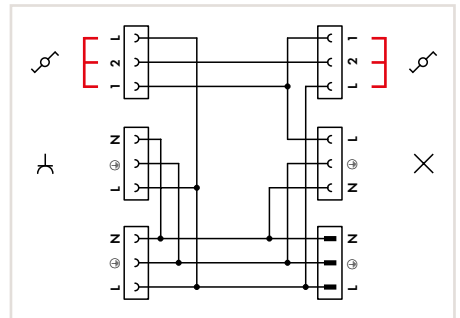
Color/Marking	Item No.	PU
	770-1373/146-000	50
	770-1373/147-000	50
	770-1373/148-000	50
	770-1373/149-000	50

Shorting plug; A-coding; black plug with assembled strain relief housing and bridge

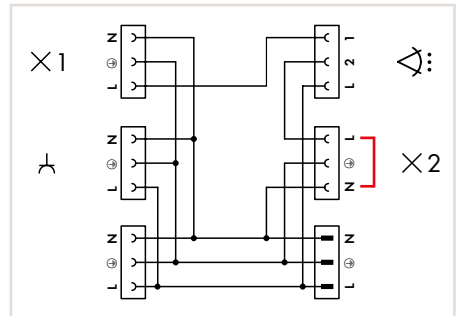
Color/Marking	Item No.	PU
	770-113/147-000	50



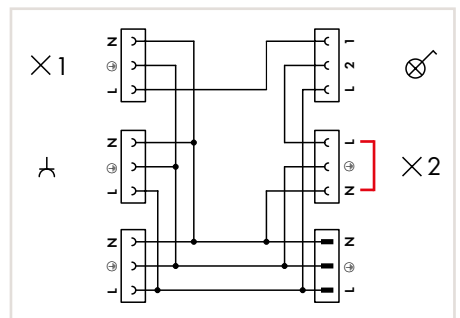
Internal circuit of 770-637 Distribution Connector with possible insertion position of 770-1373/14x-000 Shorting Plug.



Internal circuit of 770-638 Distribution Connector with possible insertion positions of 770-1373/14x-000 Shorting Plug.



Internal circuit of 770-637 Distribution Connector with insertion position of 770-113/147-000 Shorting Plug for connecting a motion sensor.



Internal circuit of 770-637 Distribution Connector with insertion position of 770-113/147-000 Shorting Plug for connecting a switch with control lamp.

Accessories ▶ WINSTA® MIDI ▶ 770 Series



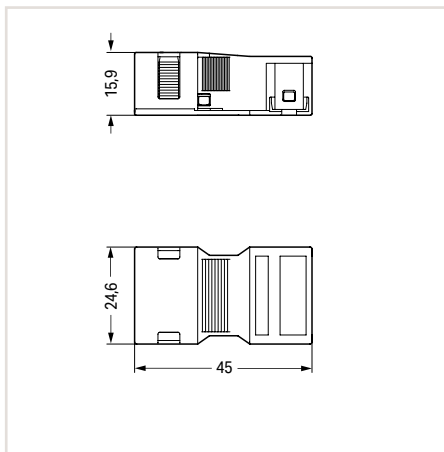
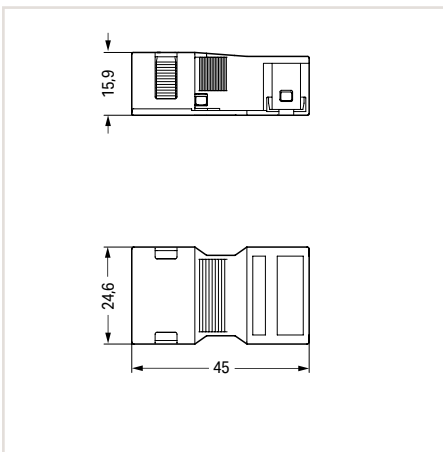
Shield connecting plate; for 3-pole plugs and sockets		
Item No.	PU	
770-523	25	

Strain relief housing; for one cable; 5 ... 9 mm cable diameter; 35 mm strip length		
Color	Item No.	PU
black	770-502/042-000	50
white	770-512/042-000	50

Strain relief housing; for one cable; 7 ... 10.5 mm cable diameter; 35 mm strip length		
Color	Item No.	PU
black	770-502/041-000	50
white	770-512/041-000	50



Connector with shield termination



PU = Packaging Unit; SPU = Subpackaging Unit; Dimensions in mm

Accessories ▶ WINSTA® MIDI ▶ 770 Series 3-Pole



Strain relief housing; for two cables;
for 4.5 ... 8 mm cable diameter; 55 mm strip length

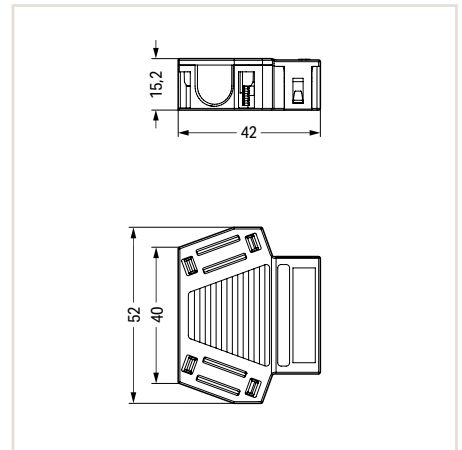
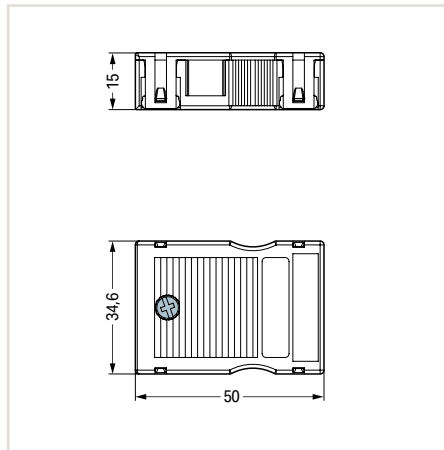
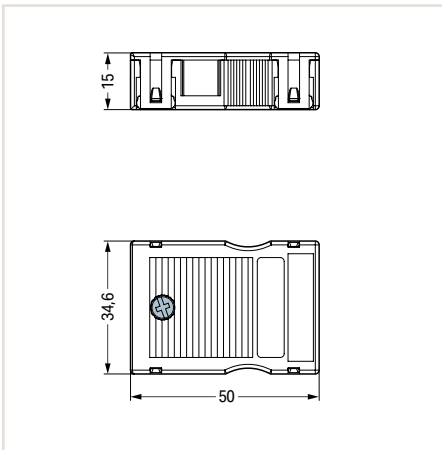
Color	Item No.	PU
black	770-503/023-000	50
white	770-513/023-000	50

Strain relief housing; for two cables;
for 8 ... 11.5 mm cable diameter; 55 mm strip length

Color	Item No.	PU
black	770-503	50
white	770-513	50

Strain relief housing; angled; for two cables;
for 8 ... 11.5 mm cable diameter; 55 mm strip length

Color	Item No.	PU
black	770-503/032-000	25
white	770-513/032-000	25



Accessories ▶ WINSTA® MIDI ▶ 770 Series 3-Pole



Strain relief housing; for 4 mm² cables; for 1 cable; 9 ... 13 mm cable diameter; 71 mm strip length

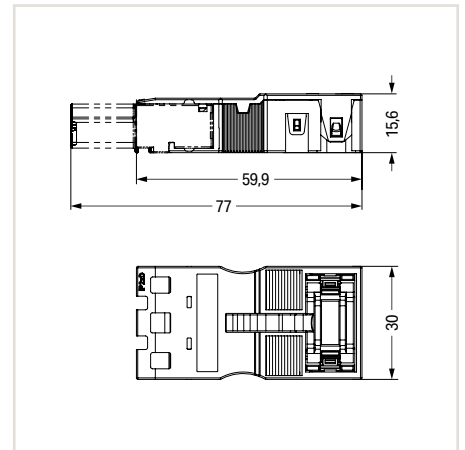
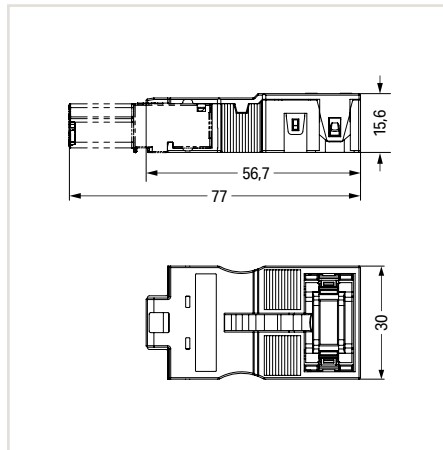
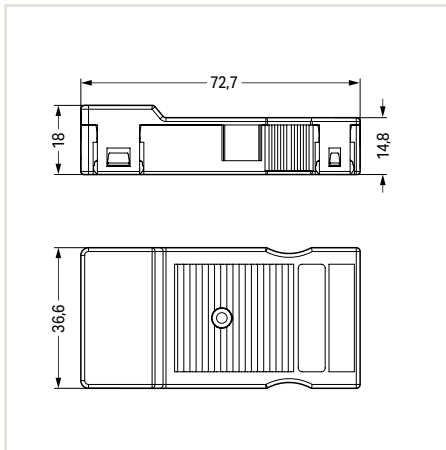
Color	Item No.	PU
black	770-503/021-000	50
white	770-513/021-000	50

Strain relief housing; for quick assembly; for one cable; 7 ... 11.5 mm cable diameter; 48 mm strip length

Color	Item No.	PU
black	770-503/035-000	50
white	770-513/035-000	50

Strain relief housing; IP 2xD; for one cable; 7 ... 11.5 mm cable diameter; 48 mm strip length

Color	Item No.	PU
black	770-503/038-000	50
white	770-513/038-000	50



PU = Packaging Unit; SPU = Subpackaging Unit; Dimensions in mm

Accessories ▶ WINSTA® MIDI ▶ 770 Series 4-Pole

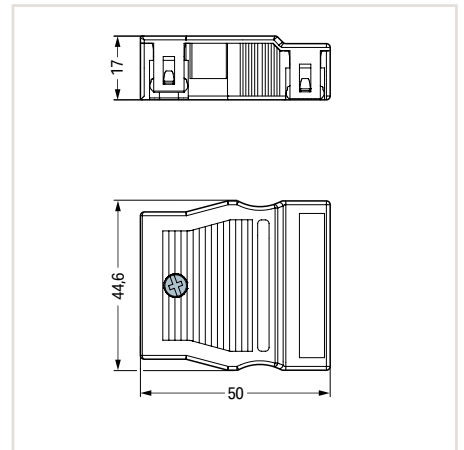
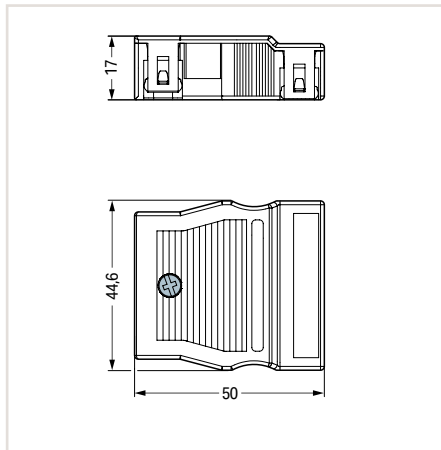


Strain relief housing; for two cables; for 5 ... 9 mm cable diameter; 55 mm strip length

Color	Item No.	PU
black	770-504/023-000	50
white	770-514/023-000	50

Strain relief housing; for two cables; for 9 ... 13 mm cable diameter; 55 mm strip length

Color	Item No.	PU
black	770-504	50
white	770-514	50



Accessories ▶ WINSTA® MIDI ▶ 770 Series 5-Pole



Strain relief housing; for two cables; for 5 ... 9 mm cable diameter; 55 mm strip length

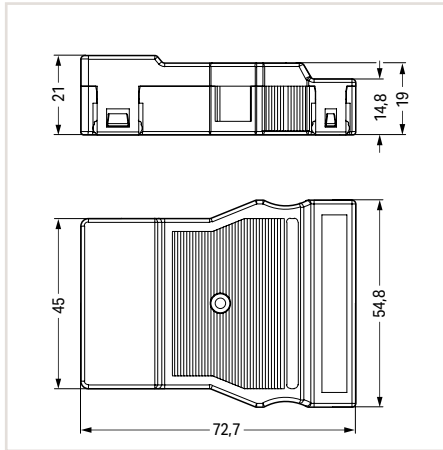
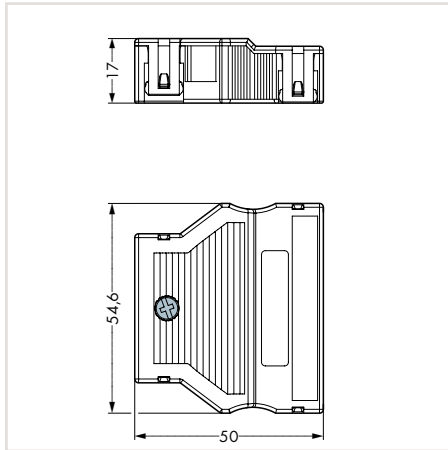
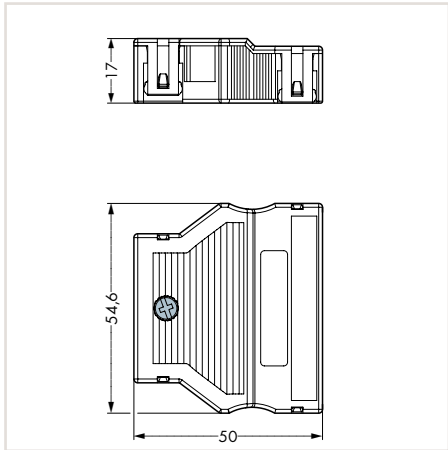
Color	Item No.	PU
black	770-505/023-000	25
white	770-515/023-000	25

Strain relief housing; for two cables; for 9 ... 13 mm cable diameter; 55 mm strip length

Color	Item No.	PU
black	770-505	25
white	770-515	25

Strain relief housing; for one cable; 11.5 ... 16.5 mm cable diameter; 71 mm strip length

Color	Item No.	PU
black	770-505/021-000	25
white	770-515/021-000	25



PU = Packaging Unit; SPU = Subpackaging Unit; Dimensions in mm

Accessories ▶ WINSTA® MIDI ▶ 770 Series 6-Pole



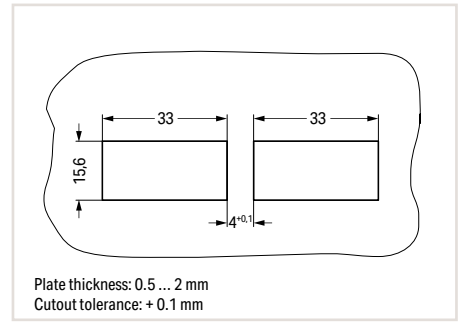
Snap-on type strain relief housings for:

- two 3-pole sockets
- two 3-pole plugs
- 3-pole socket and plug

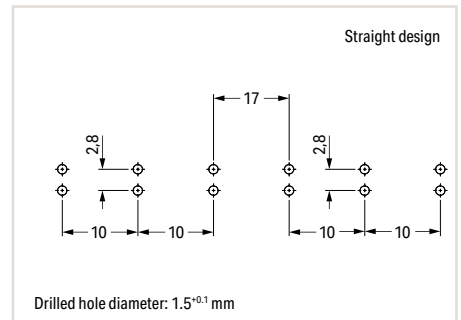
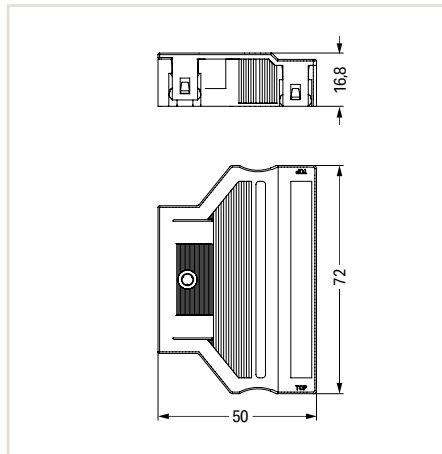


Strain relief housing; for two cables;
for 8.5 ... 13.5 mm cable diameter; 55 mm strip length

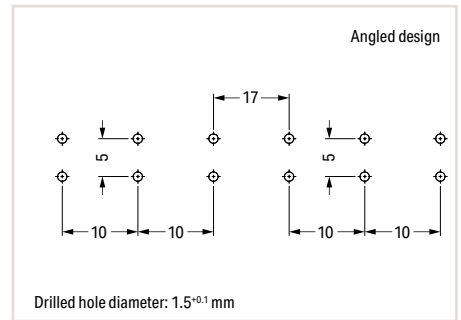
Color	Item No.	PU
black	770-506/029-000	20
white	770-516/029-000	20



Using a 6-pole strain relief housing with snap-in connectors requires the cutout dimensions shown above.



Using a straight, 6-pole PCB connector requires the hole patterns shown above.



Using an angled, 6-pole PCB connector requires the hole patterns shown above.

Accessories ▶ WINSTA® MIDI ▶ 770 Series 7-Pole



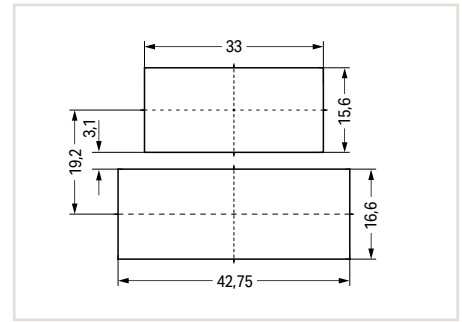
Snap-on type strain relief housings for:

- 3-pole socket or plug
- 4-pole socket or plug

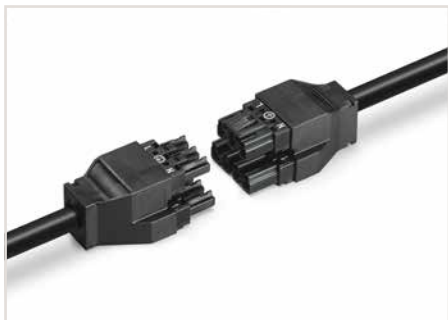


Strain relief housing; for one cable; 8 ... 15 mm cable diameter; 55 mm strip length

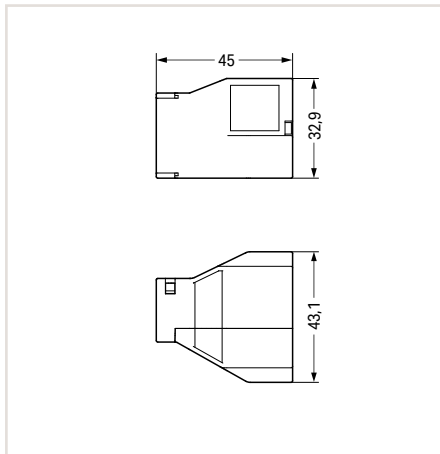
Color	Item No.	PU
black	770-507/047-000	200
white	770-517/047-000	200



Using a 7-pole strain relief housing with snap-in connectors requires the cutout dimensions shown above.

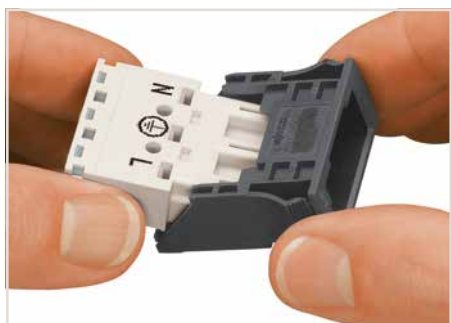


Flying leads
(NOTICE: Only use locking levers on upper position)



Flying leads

Accessories ▶ WINSTA® MIDI ▶ 770 Series



Insert the socket or plug into the frame (observe the "TOP" marking on the frame!), then snap the assembled unit into the cutout (example shows a 3-pole connector).

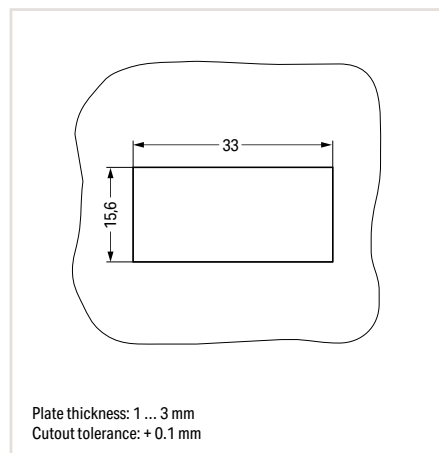
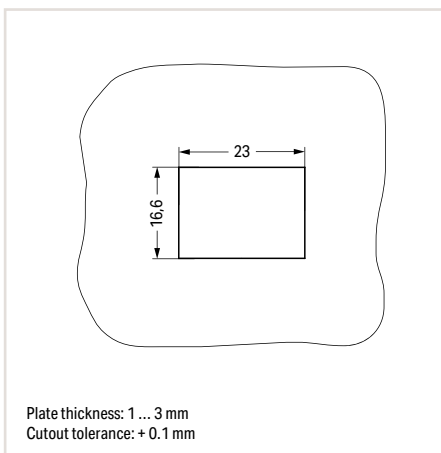
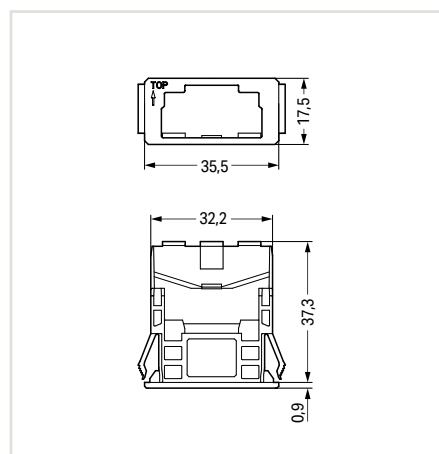
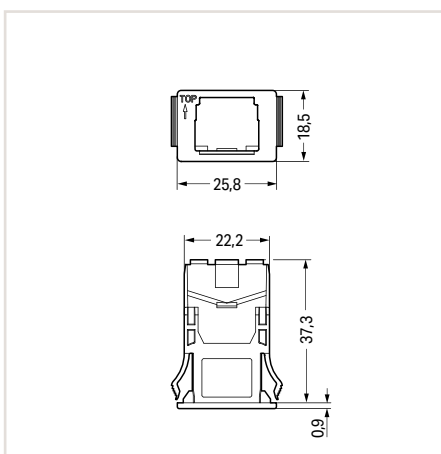


Snap-in frame; for 2-pole sockets and plugs;
for 1 ... 3 mm plate thickness

Color	Item No.	PU
black	770-317	100
white	770-337	100

Snap-in frame; for 3-pole sockets and plugs;
for 1 ... 3 mm plate thickness

Color	Item No.	PU
black	770-318	100
white	770-338	100



Accessories ▶ WINSTA® MIDI ▶ 770 Series



Snap-in frame; for 4-pole sockets and plugs;
 for 1 ... 3 mm plate thickness

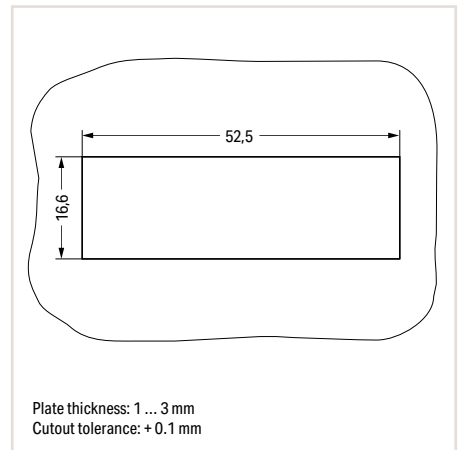
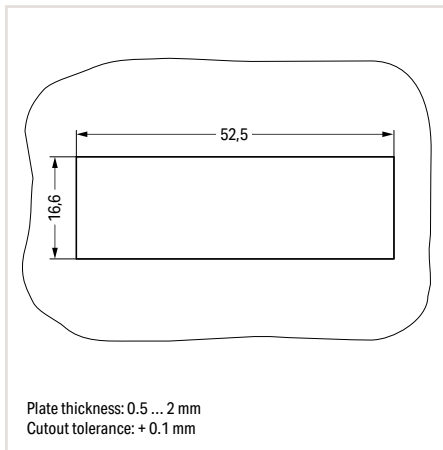
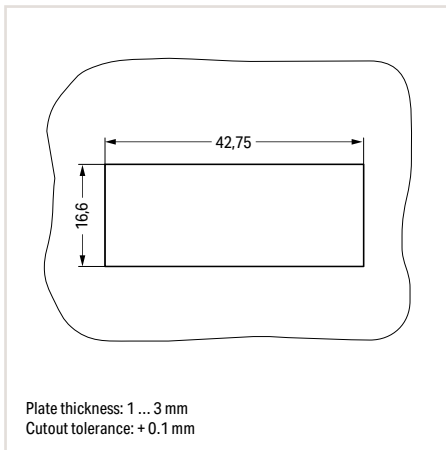
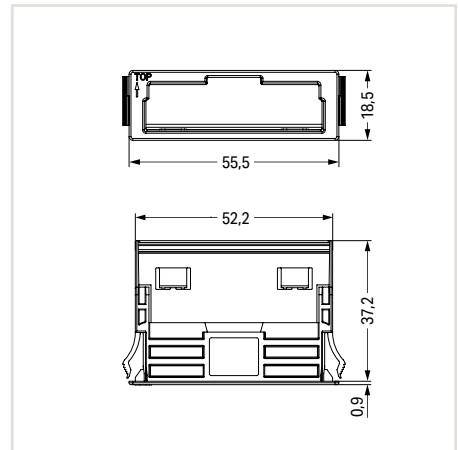
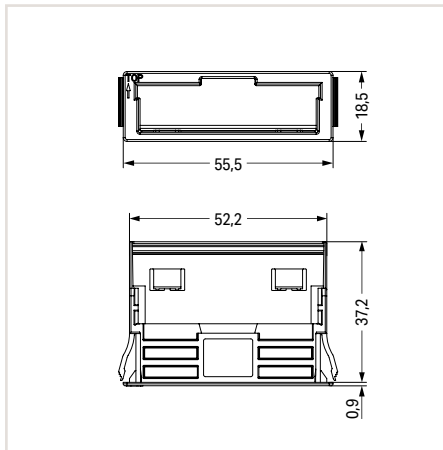
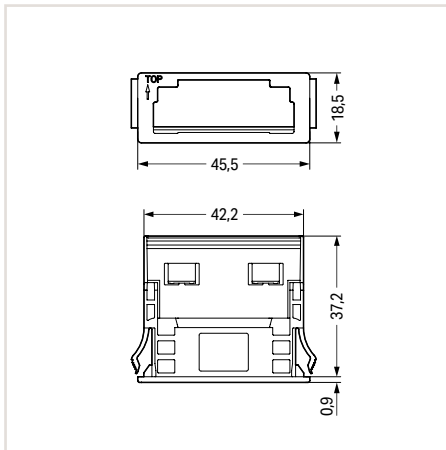
Color	Item No.	PU
black	770-319	100
white	770-339	100

Snap-in frame; for 5-pole sockets and plugs;
 for 0.5 ... 2 mm plate thickness

Color	Item No.	PU
black	770-321	100
white	770-341	100

Snap-in frame; for 5-pole sockets and plugs;
 for 1 ... 3 mm plate thickness; for A-coding/B/I/P/Q

Color	Item No.	PU
black	770-320	100
white	770-340	100



PU = Packaging Unit; SPU = Subpackaging Unit; Dimensions in mm

Accessories ▶ WINSTA® RD ▶ 774 Series

Protective cap; type 1;
for 774 series: 3- and 4-pole

Color	Item No.	PU
red	897-2001	25

Accessories ▶ WINSTA® Boxes ▶ 899 Series



Adapter for distribution boxes; for WINSTA® MINI connectors; 2-pole		
Color	Item No.	PU
gray	890-302	50



Mounting pin for distribution boxes; for WINSTA® MIDI connectors		
Color	Item No.	PU
gray	770-630	100



Mounting plate; for distribution boxes		
	Item No.	PU
	770-680	25

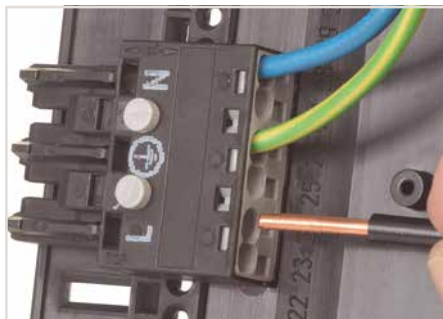
Adapter for distribution boxes; for WINSTA® MINI connectors; 3-pole		
Color	Item No.	PU
gray	890-303	50

Adapter for distribution boxes; for WINSTA® MINI connectors; 4-pole		
Color	Item No.	PU
gray	890-304	50

Adapter for distribution boxes; for WINSTA® MINI connectors; 5-pole		
Color	Item No.	PU
gray	890-305	50



Using adapters to install WINSTA® MINI connectors in a distribution box.



Using mounting pins to secure WINSTA® MIDI connectors in a distribution box.



Wall-mounted WINSTA® Distribution Box

Accessories ▶ WINSTA® IDC ▶ 772 Series



Mounting plate; for supply and tap-off modules

Color	Item No.	PU
black	772-260	10



Mounting pin; for mounting plates; 6 mm Ø; 1 ... 2.5 mm plate thickness

Color	Item No.	PU
black	770-601	250



Lockout cap; for socket; separable; 12-pole

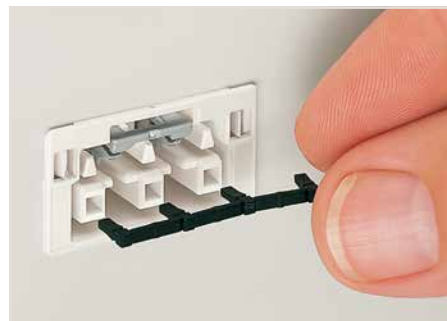
Color	Item No.	PU
black	770-201	100
white	770-221	100



Snapping a supply or tap-off module onto a mounting plate.



The mounting plate can be centrally mounted, or attached via outboard attachment points using 770-601 Mounting Pins.



Seal an unmated socket by simply inserting a lockout cap. This prevents the smallest particles from entering the socket.

Accessories ▶ WINSTA® IDC ▶ 895 Series



Cable fitting; M 40 x 1.5; clamping range: 20 ... 26 mm Ø; with O-ring gasket; plastic

Color	Item No.	PU
black	895-1601	5



Cable fitting; M 25 x 1.5; clamping range: 20 ... 26 mm Ø; with O-ring gasket; brass

Color	Item No.	PU
brass	895-1604	5



Filler plug; M 25 x 1.5; with O-ring gasket; plastic

Color	Item No.	PU
black	895-1605	5

Cable fitting; M 25 x 1.5; clamping range: 9 ... 16 mm Ø; with O-ring gasket; plastic

Color	Item No.	PU
gray	895-1602	5

Cable fitting; M 25 x 1.5; clamping range: 13 ... 18 mm Ø; with O-ring gasket; plastic

Color	Item No.	PU
gray	895-1603	5



Tap-off module with brass cable fitting

Accessories ▶ WINSTA® IDC ▶ 897 Series



Mounting clamp; for screw mounting; for 2 x 1.5 mm², 5 x 2.5 mm², 5 x 4 mm² and 5 x 2.5 mm² + 2 x 1.5 mm² flat cables

Color	Item No.	PU
gray	897-878	100

Mounting clamp; for screw mounting; for 3 x 2.5 mm² flat cables

Color	Item No.	PU (SPU)
dark gray	897-839	200(25)

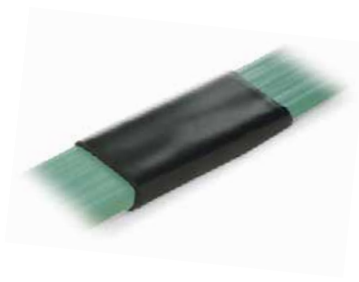
Mounting clamp; for screw mounting; for 5 x 10 mm² flat cables

Color	Item No.	PU
dark gray	897-859	100

Accessories ▶ WINSTA® IDC ▶ 897 Series



Flat cable end cover; for 2 x 1.5 mm² flat cables; plastic		
Color	Item No.	PU
transparent	897-120	10



Insulating tape; for 2 x 1.5 mm² to 5 x 10 mm² flat cables		
Color	Item No.	PU
black	897-900	10



Flat cable; 2 x 1.5 mm²; PVC		
Color	Item No.	PU
light gray	897-121	1

Flat cable end cover; for 3 x 2.5 mm² flat cables; plastic		
Color	Item No.	PU
transparent	897-230	25

Insulating tape; for 5 x 16 mm² flat cables		
Color	Item No.	PU
black	897-901	10

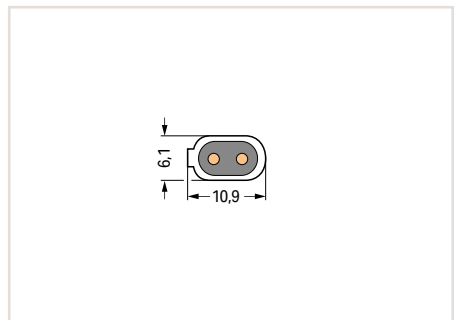
Flat cable; 2 x 1.5 mm²; halogen-free		
Color	Item No.	PU
light gray	897-122	1

Flat cable end cover; for 5 x 2.5 mm² and 5 x 4 mm² flat cables; plastic		
Color	Item No.	PU
transparent	897-250	25

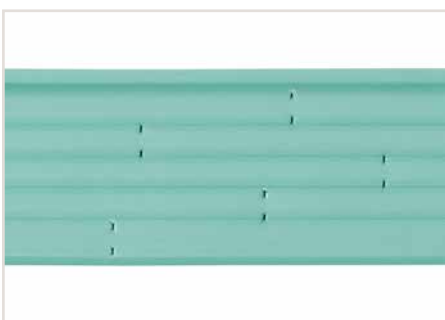
Flat cable end cover; for 5 x 2.5 mm² and 2 x 1.5 mm² flat cables; plastic		
Color	Item No.	PU
transparent	897-260	25

Flat cable end cover; for 5 x 10 mm² flat cables; plastic		
Color	Item No.	PU
transparent	897-1050	10

Flat cable end cover; for 5 x 16 mm² flat cables; plastic		
Color	Item No.	PU
transparent	897-1650	4



Fit end cover to each flat cable end.



Use insulating tape to seal the contact holes in the flat cable after removing a module.

Accessories ▶ WINSTA® IDC ▶ 897 Series



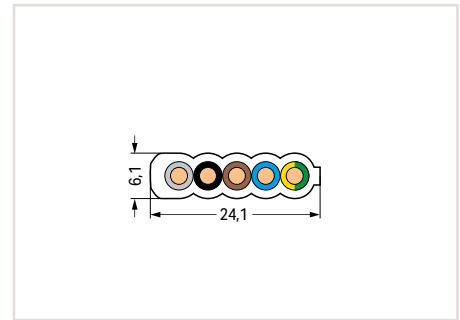
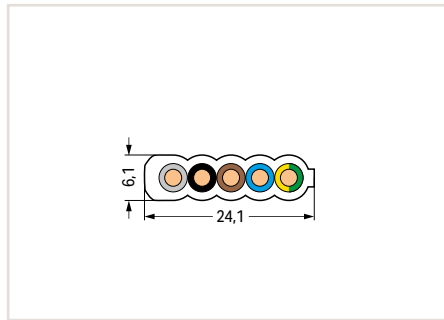
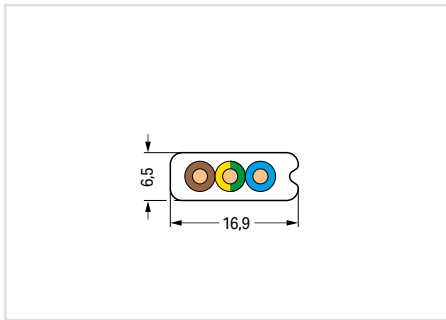
Flat cable; 3 x 2.5 mm ² ; PVC		
Color	Item No.	PU
light gray	897-231	1

Flat cable; 5 x 2.5 mm ² ; PVC		
Color	Item No.	PU
light green	897-251	1

Flat cable; 5 x 4 mm ² ; halogen-free		
Color	Item No.	PU
black	897-453	1

Flat cable; 3 x 2.5 mm ² ; halogen-free		
Color	Item No.	PU
light gray	897-232	1

Flat cable; 5 x 2.5 mm ² ; halogen-free		
Color	Item No.	PU
light green	897-252	1



Accessories ▶ WINSTA® IDC ▶ 897 Series



Flat cable; 5 x 2.5 mm ² + 2 x 1.5 mm ² ; PVC		
Color	Item No.	PU
violett	897-261	1



Flat cable; 5 x 10 mm ² ; PVC		
Color	Item No.	PU
light gray	897-1051	1

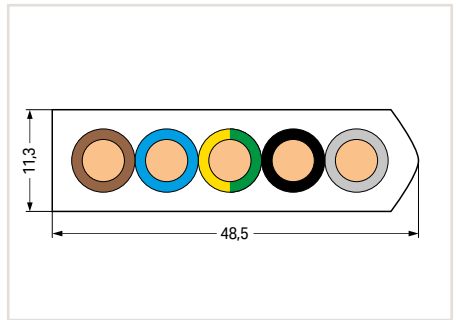
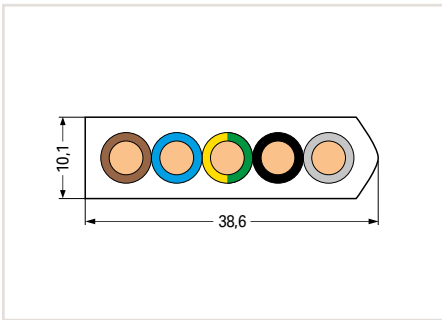
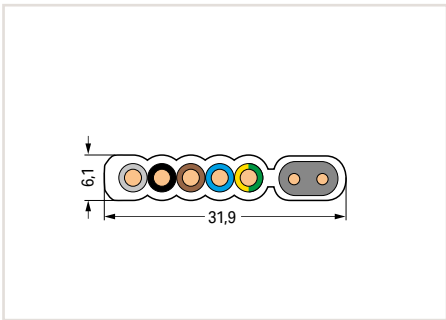


Flat cable; 5 x 16 mm ² ; PVC		
Color	Item No.	PU
light gray	897-1651	1

Flat cable; 5 x 2.5 mm ² + 2 x 1.5 mm ² ; halogen-free		
Color	Item No.	PU
violett	897-262	1

Flat cable; 5 x 10 mm ² ; halogen-free		
Color	Item No.	PU
light gray	897-1052	1

Flat cable; 5 x 16 mm ² ; halogen-free		
Color	Item No.	PU
light gray	897-1652	1



PU = Packaging Unit; SPU = Subpackaging Unit; Dimensions in mm

Operating Tools ► WINSTA®



Operating tool with a partially insulated shaft; type 1; (2.5 x 0.4) mm blade

Color	Item No.	PU
green	210-719	50

Operating tool set; with a partially insulated shaft; includes 210-719, 210-720 and 210-721

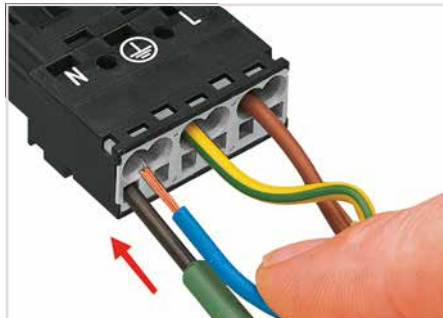
Color	Item No.	PU
green	210-722	1

Operating tool with a partially insulated shaft; type 2; (3.5 x 0.5) mm blade

Color	Item No.	PU
green	210-720	50

Operating tool with a partially insulated shaft; type 3; (5.5 x 0.8) mm blade

Color	Item No.	PU
green	210-721	25



The blade dimensions of the above-listed operating tools are ideal for operating both WINSTA® Plugs and Sockets.



Set of operating tools in a box

Operating Tools ▶ WINSTA®



Operating tool with a partially insulated shaft; (6.5 x 1.4) mm blade		
Color	Item No.	PU
green	210-636	50



Operating tool; partially insulated; for WINSTA® MINI connectors; 2-pole		
Color	Item No.	PU
green	890-382	50



Operating tool; partially insulated; for WINSTA® MIDI connectors; 2-pole		
Color	Item No.	PU
green	770-382	50

Operating tool; short version; (6.5 x 1.4) mm		
Color	Item No.	PU
green	210-635	30

Operating tool; partially insulated; for WINSTA® MINI connectors; 3-pole		
Color	Item No.	PU
green	890-383	50

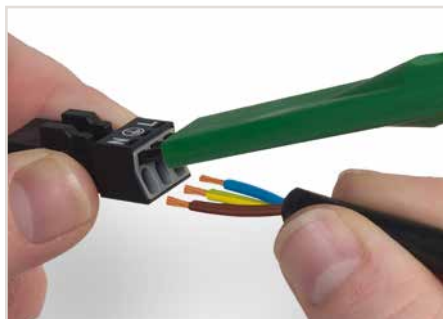
Operating tool; partially insulated; for WINSTA® MIDI connectors; 3-pole		
Color	Item No.	PU
green	770-383	50

Operating tool; partially insulated; for WINSTA® MINI connectors; 4-pole		
Color	Item No.	PU
green	890-384	50

Operating tool; partially insulated; for WINSTA® MINI connectors; 5-pole		
Color	Item No.	PU
green	890-385	50



Operating tools are ideally suited to operate IDC modules (772 Series).



To terminate fine-stranded conductors, open clamping units via operating tool (890-383) and insert stripped conductors until they hit backstop.

Stripping Tools ▶ WINSTA®



Cable knife; for Ø 8 ... 28 mm / 0.31 ... 1.10 inch; with a unique, changeable cable bracket system; including cable bracket

	Item No.	Pack. Unit
	206-1403	1

Item-Specific Accessories

Cable bracket; for Ø 4 ... 16 mm / 0.16 ... 0.63 inch

206-1411	1
----------	---



Cable bracket; for Ø 8 ... 28 mm / 0.31 ... 1.10 inch

206-1412	1
----------	---



Cable bracket; for Ø 27 ... 35 mm / 1.06 ... 1.38 inch

206-1413	1
----------	---



Cable bracket; for Ø 35 ... 50 mm / 1.38 ... 1.97 inch

206-1414	1
----------	---



Cable bracket; for Ø 50 ... 70 mm / 1.97 ... 2.75 inch

206-1415	1
----------	---



Accessories

Spare inside blade

206-1418	3
----------	---



Wire stripper "Quickstrip Vario"; 0.03 ... 16 mm² / 34 ... 6 AWG; with wire cutter

	Item No.	Pack. Unit
	206-1125	1

Accessories

Blade set; Standard; 0.03 ... 16 mm² / 34 ... 6 AWG

206-1126	1
----------	---



Blade set; V-blade; 0.14 ... 4 mm² / 24 ... 12 AWG

206-1127	1
----------	---



Blade set; Oval blade; 10 ... 16 mm² / 8 ... 6 AWG

206-1128	1
----------	---



Spare stripping stop

206-1129	1
----------	---



Spare cut protector

206-1131	1
----------	---

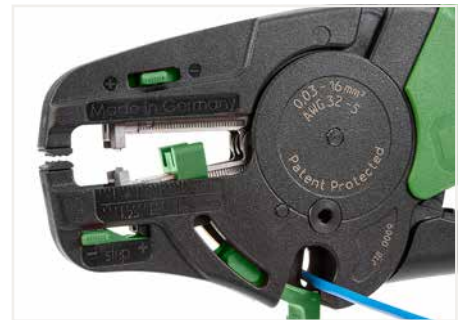


Spare clamping jaws

206-1132	1
----------	---



Partially stripping a conductor.



Cutting a conductor.

Wire Stripper:

- Automatically adjust to conductor size
- Stripping blades cause no damage to conductor strands
- Gripping pressure of jaws adjusts automatically to conductor insulation diameter
- Clamping jaws and stripping blades automatically open once the stripping process is completed – no splaying of the conductor strands
- Exact strip length may be set by sliding black setting stop
- Stripping blades can be replaced
- Self-sharpening, fully protected cutter (replaceable)
- Entire body made of glass-fiber-reinforced polyamide
- Cutting capacity of the wire cutter of fine-stranded conductors up to 16 mm² (6 AWG)

8



Stripping Pliers, Cable Cutters, Stripping Knives ▶ WINSTA®



Stripping pliers; with insulated handles; for 3 x 2.5 mm² flat cables

Color	Item No.	PU
red	897-931	1



Cable cutter; with partially insulated handles; for 5 x 6 mm² flat cables

Color	Item No.	PU
red	897-960	1



Stripping knife; for 5 x 10 mm² flat cable

Color	Item No.	PU
light gray	897-951	1



Stripping pliers; with insulated handles; for 2 x 1.5 mm², 5 x 2.5 mm², 5 x 4 mm² and 5 x 2.5 mm² + 2 x 1.5 mm² flat cables

Color	Item No.	PU
red	897-971	1



Cable cutter; with partially insulated handles; for 2 x 1.5 mm², 5 x 2.5 mm², 5 x 4 mm² and 5 x 2.5 mm² + 2 x 1.5 mm² flat cables

Color	Item No.	PU
red	897-972	1



Stripping knife; for 5 x 16 mm² flat cable

Color	Item No.	PU
light gray	897-952	1



Cut off the flat cable insulation via cable cutter.



Cut both flat cable insulation sides via stripping knife.

Cable Cutter and Wiring Aid ► WINSTA®



Cable cutter; per VDE; for copper and aluminum cables; 0.25 ... 35 mm²

Color	Item No.	PU (SPU)
green	206-118	10(1)

Wiring aid; for 5-pole connectors; distribution connectors with phase selection and IDC supply modules; suitable for solid and stranded conductors

Color	Item No.	PU (SPU)
orange	770-100	20(1)



Cutting a cable.



Strip outer insulation, insert cable into the wiring aid and arrange the single conductors according to the marking, starting with N. Cut conductor ends to the proper length.



Strip conductor ends to a length of 9 mm (see marking). Slide connector to the stop over conductor ends.

Markers and Marking Strips ▶ WINSTA®



Marker; for manual marking		
Color	Item No.	PU
white	770-450	50
green	770-450/000-001	50
yellow	770-450/000-002	50
red	770-450/000-005	50
blue	770-450/000-006	50
orange	770-450/000-012	50



Self-adhesive marking strips; on DIN A4 cards; 182 mm long; 6 mm (40 x) high; for 770 Series		
Color	Item No.	PU (SPU)
white	210-333	100(1)



Self-adhesive marking strips; on DIN A4 cards; 182 mm long; 5 mm (48 x) high; for 771 Series		
Color	Item No.	PU (SPU)
white	210-334	100(1)



Distribution connector with marked cables



Marking area:
 Strain relief; 3-pole; 28 x 6.5 mm
 Strain relief; 4-pole; 38 x 6.5 mm
 Strain relief; 5-pole; 48 x 6.5 mm
 Strain relief; 6-pole; 62 x 6.5 mm



Marking area:
 Strain relief; 3-pole; 22 x 5.2 mm
 Strain relief; 4-pole; 32 x 5.2 mm
 Strain relief; 5-pole; 42 x 5.2 mm