



WAGO Pluggable Connection System
WINSTA® KNX

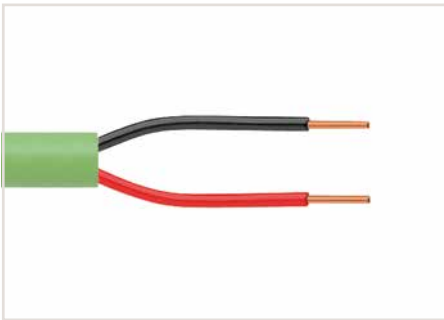
WAGO Pluggable Connection System WINSTA® KNX ▶ 893, 894 Series

Ø 0.8 mm / 3 A

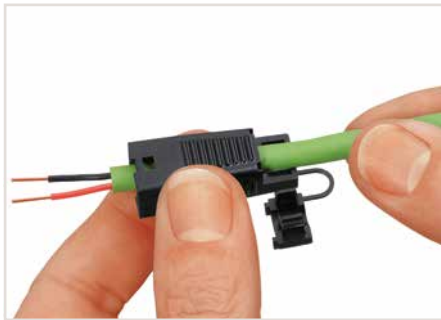
- Note:
- Installation connectors are designed for connection and disconnection while not under load.
 - There is no hazard-inducing interchangeability with systems based on IEC 60309, IEC 60320, IEC 60906 and with national connector and socket systems.
 - Installation connector systems are not a substitute for residential connector/socket systems.
 - WINSTA® KNX Connectors are not intended for installation in open or easily accessible areas.

	Page
	306
	308
	310
	312

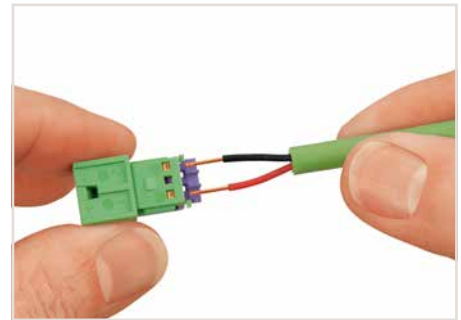
WINSTA® KNX ▶ 893, 894 Series Description and Installation



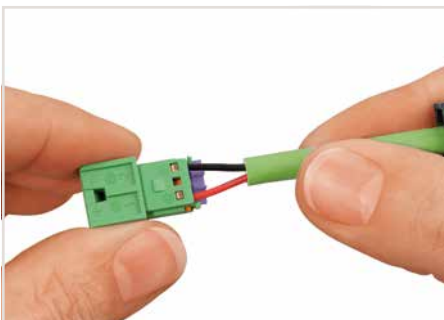
1. Strip length, outer insulation = 23 mm
2. Strip length = 9 mm



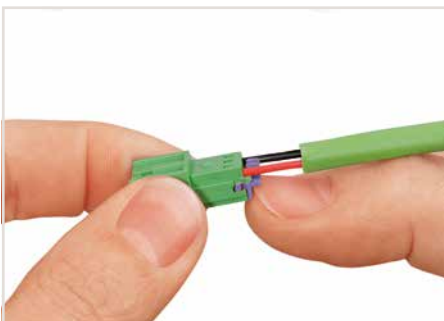
Prior to termination, pull the strain relief housing over the cable.



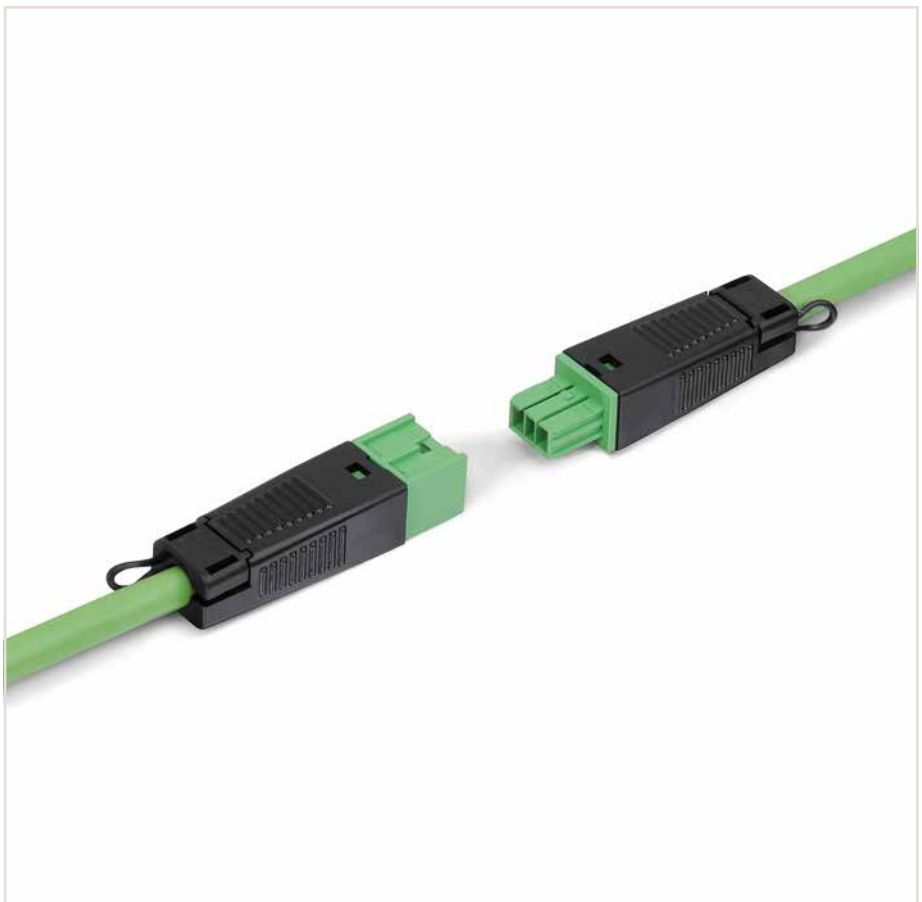
Insert stripped conductors directly into the conductor entries.



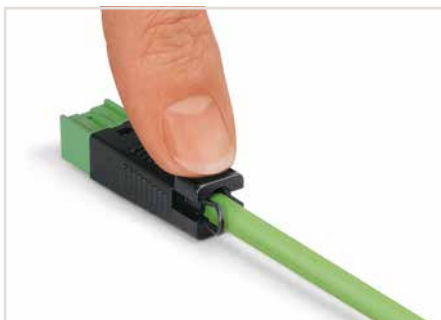
Push conductors until they hit backstop.



To disconnect, open clamping unit using the actuator and pull out the conductor.



Snap wired connector into the strain relief housing.



Press strain relief firmly on the cable.



Pre-assembled KNX connector

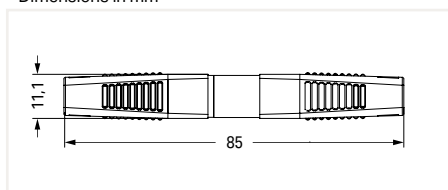
Pluggable Connector ▶ WINSTA® KNX ▶ 893 Series

Pole No.: 2



- For low voltages up to 50 V
- Compact size, standardized interface
- Available in two different custom coding options with protection against mismatching

Dimensions in mm



Electrical Data			
Coding	E;F		
Ratings per	IEC/EN 60664-1		
Overvoltage category	III	III	II
Pollution degree	3	2	2
Rated voltage	50 V	-	-
Rated impulse voltage	0.8 kV	-	-
Rated current	3 A	-	-

Connection Data	
Connection technology	PUSH WIRE®
Strip length	9 mm / 0.35 inch
Conductor diameter	0.8 mm

Material Data	
Insulation material	Polyamide (PA66)
Clamping spring material	Chrome nickel spring steel (CrNi)
Contact material	Copper alloy (surface-treated)
Fire class per EN 50575	E _{ca}

Mechanical Data	
Number of mating cycles	200
Mating force of a plug-in connection	Approx. 10 ... 15 N
Unmating force of a plug-in connection	Unlocked: approx. 15 ... 20 N
Retention force of a plug-in connection	Locked: > 80 N
Protection type	IP20
Note on protection type	Only when mated and secured with a strain relief housing (These compact connectors are not designed for use in open, easily accessible areas.)

Environmental Requirements	
Processing temperature	-5 ... +40 °C
Continuous operating temperature	-35 ... +85 °C
Note on continuous operating temperature	Insulating parts for temperatures ≤ 105 °C

All WINSTA® components are 100% protected against mismatching when:

- a.) plugging different numbers of poles
- b.) plugging while rotated 180
- c.) plugging while laterally staggered
- d.) plugging one pole

See technical section for further information

For approvals and corresponding ratings, visit www.wago.com

Pluggable Connector ▶ WINSTA® KNX ▶ 893 Series

Pole No.: 2

Female connector/socket

Male connector/plug



893-1002



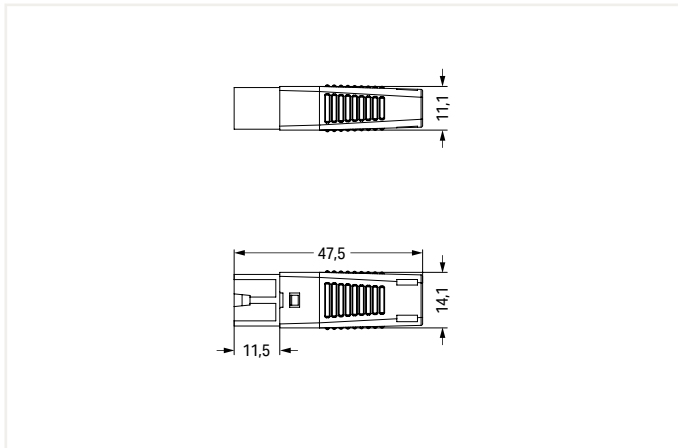
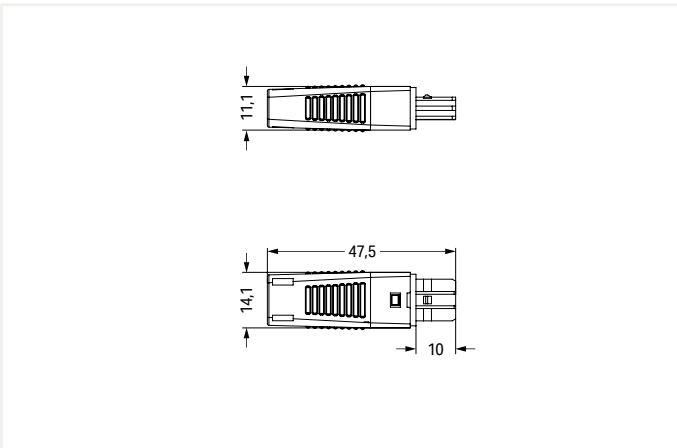
893-1012

Coding:E				
Color	Coding	Marking	Item No.	PU
● green	E	1+ 2-	893-1002	50

Coding:E				
Color	Coding	Marking	Item No.	PU
● green	E	1+ 2-	893-1012	50

Coding:F				
Color	Coding	Marking	Item No.	PU
○ light gray	F	1+ 2-	893-1022	50

Coding:F				
Color	Coding	Marking	Item No.	PU
○ light gray	F	1+ 2-	893-1032	50



5

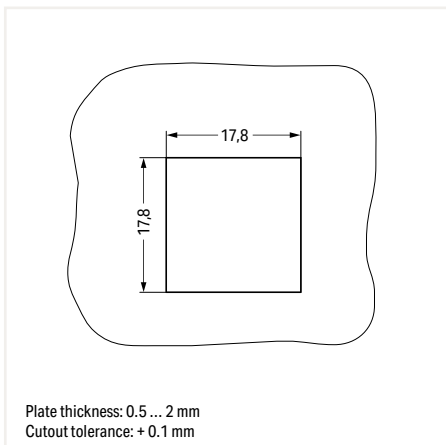
PU = Packaging Unit; SPU = Subpackaging Unit; Dimensions in mm

Snap-in Device Connector ▶ WINSTA® KNX ▶ 893 Series

Pole No.: 2



- For low voltages up to 50 V
- Compact size, standardized interface
- Available in two different custom coding options with protection against mismatching



Electrical Data

Coding	E;F		
Ratings per	IEC/EN 60664-1		
Overvoltage category	III	III	II
Pollution degree	3	2	2
Rated voltage	50 V	-	-
Rated impulse voltage	0.8 kV	-	-
Rated current	3 A	-	-

Connection Data

Connection technology	PUSH WIRE®
Strip length	9 mm / 0.35 inch
Conductor diameter	0.8 mm

Material Data

Insulation material	Polyamide (PA66)
Clamping spring material	Chrome nickel spring steel (CrNi)
Contact material	Copper alloy (surface-treated)
Fire class per EN 50575	E _{ca}

Mechanical Data

Number of mating cycles	200
Mating force of a plug-in connection	Approx. 10 ... 15 N
Unmating force of a plug-in connection	Unlocked: approx. 15 ... 20 N
Retention force of a plug-in connection	Locked: > 80 N
Protection type	IP20
Note on protection type	Only when mated and secured with a strain relief housing (These compact connectors are not designed for use in open, easily accessible areas.)

Environmental Requirements

Processing temperature	-5 ... +40 °C
Continuous operating temperature	-35 ... +85 °C
Note on continuous operating temperature	Insulating parts for temperatures ≤ 105 °C

All WINSTA® components are 100% protected against mismatching when:

- a.) plugging different numbers of poles
- b.) plugging while rotated 180
- c.) plugging while laterally staggered
- d.) plugging one pole

See technical section for further information

For approvals and corresponding ratings, visit www.wago.com

Snap-in Device Connector ▶ WINSTA® KNX ▶ 893 Series

Pole No.: 2

Female connector/socket

Male connector/plug



893-2002

893-2012

Coding:E

Color	Coding	Marking	Item No.	PU
● green	E	1+ 2-	893-2002	50

Coding:E

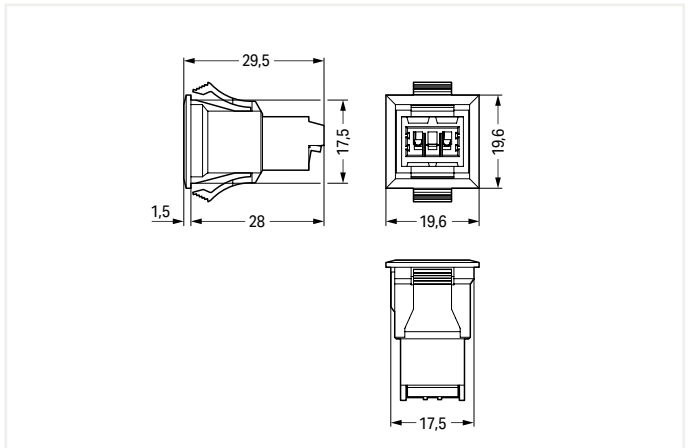
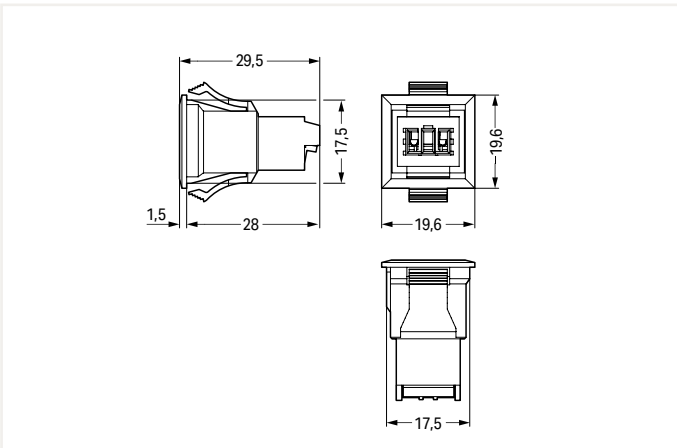
Color	Coding	Marking	Item No.	PU
● green	E	1+ 2-	893-2012	50

Coding:F

Color	Coding	Marking	Item No.	PU
○ light gray	F	1+ 2-	893-2022	50

Coding:F

Color	Coding	Marking	Item No.	PU
○ light gray	F	1+ 2-	893-2032	50

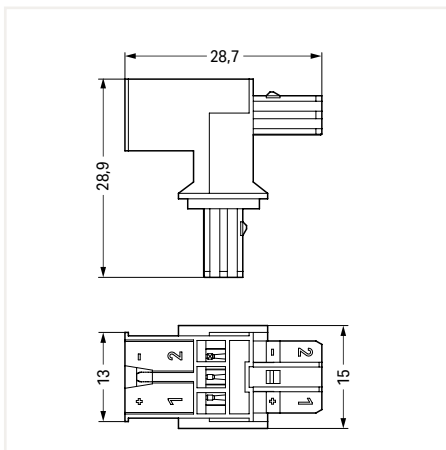


Distribution Connector ▶ WINSTA® KNX ▶ 893 Series

Pole No.: 2 ▶ T-distribution connector ▶ Number of locking levers: 2



- For low voltages up to 50 V
- Compact size, standardized interface
- Available in two different custom coding options with protection against mismatching

**Electrical Data**

Coding	E;F		
Ratings per	IEC/EN 60664-1		
Overvoltage category	III	III	II
Pollution degree	3	2	2
Rated voltage	50 V	-	-
Rated impulse voltage	0.8 kV	-	-
Rated current	3 A	-	-

Material Data

Insulation material	Polyamide (PA66)
Contact material	Copper alloy (surface-treated)

Mechanical Data

Number of mating cycles	200
Mating force of a plug-in connection	Approx. 10 ... 15 N
Unmating force of a plug-in connection	Unlocked: approx. 15 ... 20 N
Retention force of a plug-in connection	When locked: > 80 N
Protection type	IP20
Note on protection type	Only when mated and secured with a strain relief housing (These compact connectors are not designed for use in open, easily accessible areas.)

Environmental Requirements

Processing temperature	-5 ... +40 °C
Continuous operating temperature	-35 ... +85 °C
Note on continuous operating temperature	Insulating parts for temperatures ≤ 105 °C

All WINSTA® components are 100% protected against mismatching when:

- a.) plugging different numbers of poles
- b.) plugging while rotated 180
- c.) plugging while laterally staggered
- d.) plugging one pole

See technical section for further information

For approvals and corresponding ratings, visit www.wago.com

Distribution Connector ▶ WINSTA® KNX ▶ 893 Series

Pole No.: 2 ▶ T-distribution connector ▶ Number of locking levers: 2



893-1606



893-1656

Color	Coding	Marking	Item No.	PU
● green	E	1+ 2-	893-1606	25

Color	Coding	Marking	Item No.	PU
○ light gray	F	1+ 2-	893-1656	25

Cable Assembly ▶ WINSTA® KNX ▶ 894 Series

Pole No.: 2 ▶ Marking: 1+ 2-



- For low voltages up to 50 V
- Compact size, standardized interface
- Available in two different custom coding options with protection against mismatching

Electrical Data			
Coding	E;F		
Ratings per	IEC/EN 60664-1		
Overvoltage category	III	III	II
Pollution degree	3	2	2
Rated voltage	50 V	-	-
Rated impulse voltage	0.8 kV	-	-
Rated current	3 A	-	-

Connection Data	
Conductor diameter	0.8 mm

Material Data	
Insulation material	Polyamide (PA66)
Contact material	Copper alloy (surface-treated)

Mechanical Data	
Number of mating cycles	200
Mating force of a plug-in connection	Approx. 10 ... 15 N
Unmating force of a plug-in connection	Unlocked: approx. 15 ... 20 N
Retention force of a plug-in connection	when locked: > 80N
Protection type	IP20
Note on protection type	Only when mated and secured with a strain relief housing (These compact connectors are not designed for use in open, easily accessible areas.)

Environmental Requirements	
Processing temperature	-5 ... +40 °C
Continuous operating temperature	-35 ... +85 °C
Note on continuous operating temperature	PVC cable for temperatures ≤ 70 °C (including halogen-free) Insulating parts for temperatures ≤ 105 °C

All WINSTA® components are 100% protected against mismatching when:

- a.) plugging different numbers of poles
- b.) plugging while rotated 180
- c.) plugging while laterally staggered
- d.) plugging one pole

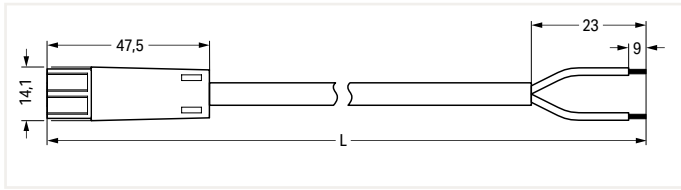
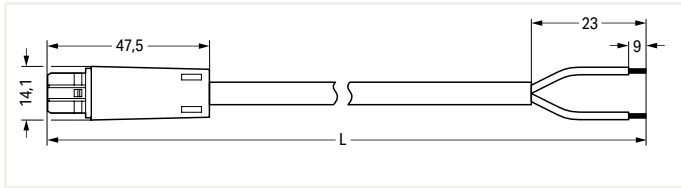
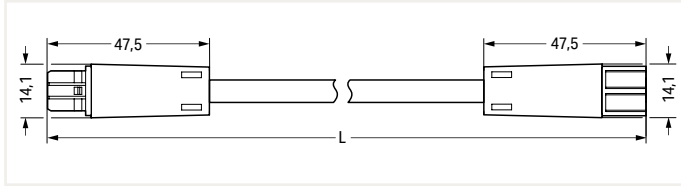
Cables with a different fire class can be found in the eShop.

See technical section for further information

For approvals and corresponding ratings, visit www.wago.com

Cable Assembly ▶ WINSTA® KNX ▶ 894 Series

Pole No.: 2 ▶ Marking: 1+ 2- ▶ Coding: E ▶ PVC ▶ UNITRONIC BUS EIB 2x2x0.8 ▶ Fire class per EN 50575: E_{ca}



Interconnecting cable ▶ Connection type Socket - Plug

Total length	Connector color/Strain relief color			PU
	green/black			
1 m	894-8992/033-106			1
3 m	894-8992/033-306			1
5 m	894-8992/033-506			1

Connecting cable ▶ Connection type Socket - Free end

Total length	Connector color/Strain relief color			PU
	green/black			
1 m	894-8992/133-106			1
3 m	894-8992/133-306			1
5 m	894-8992/133-506			1

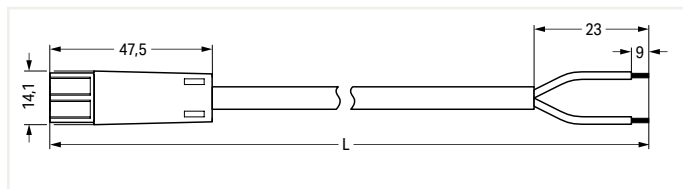
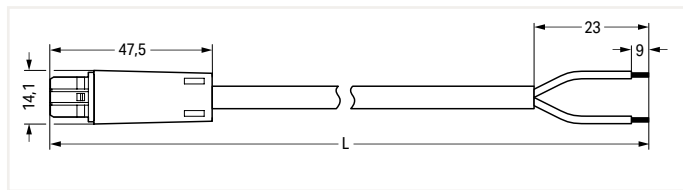
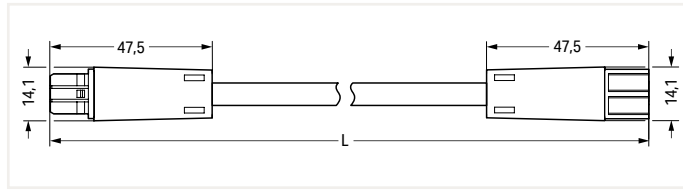
Connecting cable ▶ Connection type Plug - Free end

Total length	Connector color/Strain relief color			PU
	green/black			
1 m	894-8992/233-106			1
3 m	894-8992/233-306			1
5 m	894-8992/233-506			1

PU = Packaging Unit; SPU = Subpackaging Unit; Dimensions in mm

Cable Assembly ▶ WINSTA® KNX ▶ 894 Series

Pole No.: 2 ▶ Marking: 1+ 2- ▶ Coding: E ▶ Halogen-free ▶ Y-H(St)Hh 1x2x0.8 ▶ Fire class per EN 50575: C_{ca}



Interconnecting cable ▶ Connection type Socket - Plug

Total length	Connector color/Strain relief color			PU
	green/black			
1 m	894-8392/073-106			1
3 m	894-8392/073-306			1
5 m	894-8392/073-506			1

Connecting cable ▶ Connection type Socket - Free end

Total length	Connector color/Strain relief color			PU
	green/black			
1 m	894-8392/173-106			1
3 m	894-8392/173-306			1
5 m	894-8392/173-506			1

Connecting cable ▶ Connection type Plug - Free end

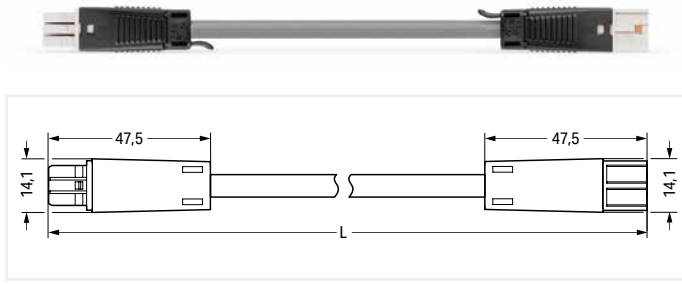
Total length	Connector color/Strain relief color			PU
	green/black			
1 m	894-8392/273-106			1
3 m	894-8392/273-306			1
5 m	894-8392/273-506			1

5

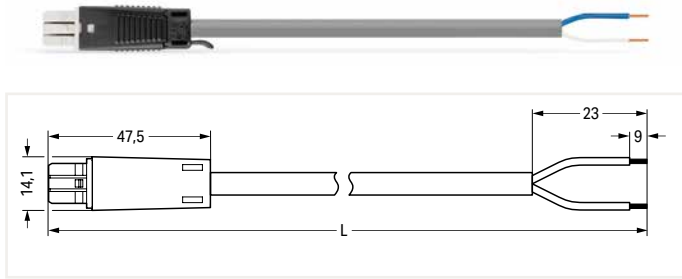
PU = Packaging Unit; SPU = Subpackaging Unit; Dimensions in mm

Cable Assembly ▶ WINSTA® KNX ▶ 894 Series

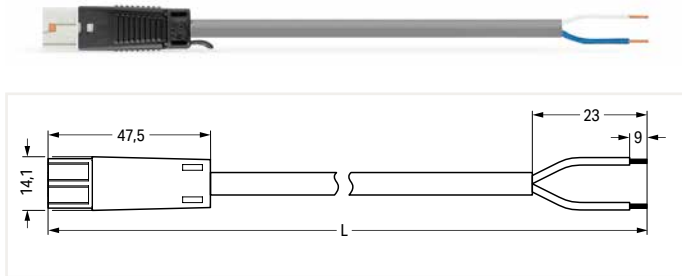
Pole No.: 2 ▶ Marking: 1+ 2- ▶ Coding: F ▶ Halogen-free ▶ J-Y(ST)Y...LG 1x2x0.8 ▶ Fire class per EN 50575: D_{ca}



Interconnecting cable ▶ Connection type Socket - Plug				
Total length	Connector color/Strain relief color			PU
	light gray/black			
1 m	894-8992/023-107			1
3 m	894-8992/023-307			1
5 m	894-8992/023-507			1



Connecting cable ▶ Connection type Socket - Free end				
Total length	Connector color/Strain relief color			PU
	light gray/black			
1 m	894-8992/123-107			1
3 m	894-8992/123-307			1
5 m	894-8992/123-507			1



Connecting cable ▶ Connection type Plug - Free end				
Total length	Connector color/Strain relief color			PU
	light gray/black			
1 m	894-8992/223-107			1
3 m	894-8992/223-307			1
5 m	894-8992/223-507			1

PU = Packaging Unit; SPU = Subpackaging Unit; Dimensions in mm