



WAGO Pluggable Connection System *WINSTA*® MAXI

WAGO Pluggable Connection System WINSTA® MAXI ▶ 831 Series

6 mm² / 35 A

- Note:
- Installation connectors are designed for connection and disconnection while not under load.
 - There is no hazard-inducing interchangeability with systems based on IEC 60309, IEC 60320, IEC 60906 and with national connector and socket systems.
 - Compliance with the standards (IEC 61535) does not guarantee hazard-preventing, non-interchangeability with installation connector systems from various manufacturers.
 - Installation connector systems are not a substitute for residential connector/socket systems.
 - WINSTA® MAXI Connectors are not intended for installation in open or easily accessible areas.



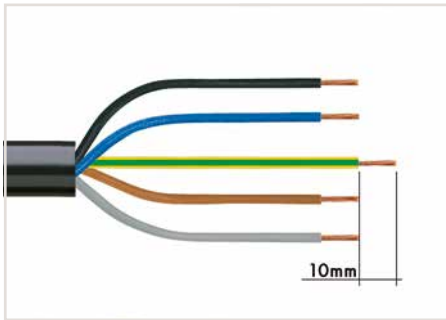
Pluggable Connectors; 831 Series
5-pole

Page

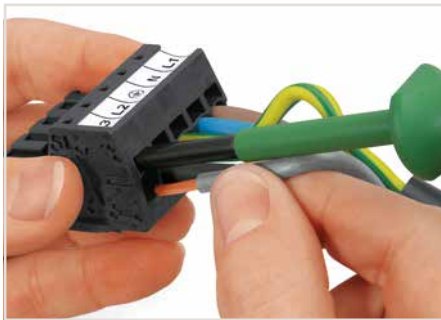
284

3

WINSTA® MINI ▶ 890, 891 Series Description and Installation



The following lengths are recommended:
 1. Strip length, outer insulation = 80 mm
 2. Strip length = 13 mm
 3. Extended ground conductor = 10 mm



To terminate fine-stranded conductors, open the clamping unit via screwdriver (5.5 mm blade width) and insert a stripped conductor until it hits backstop.



The printed marking of the connector is clearly visible in the openings of the strain relief housing.

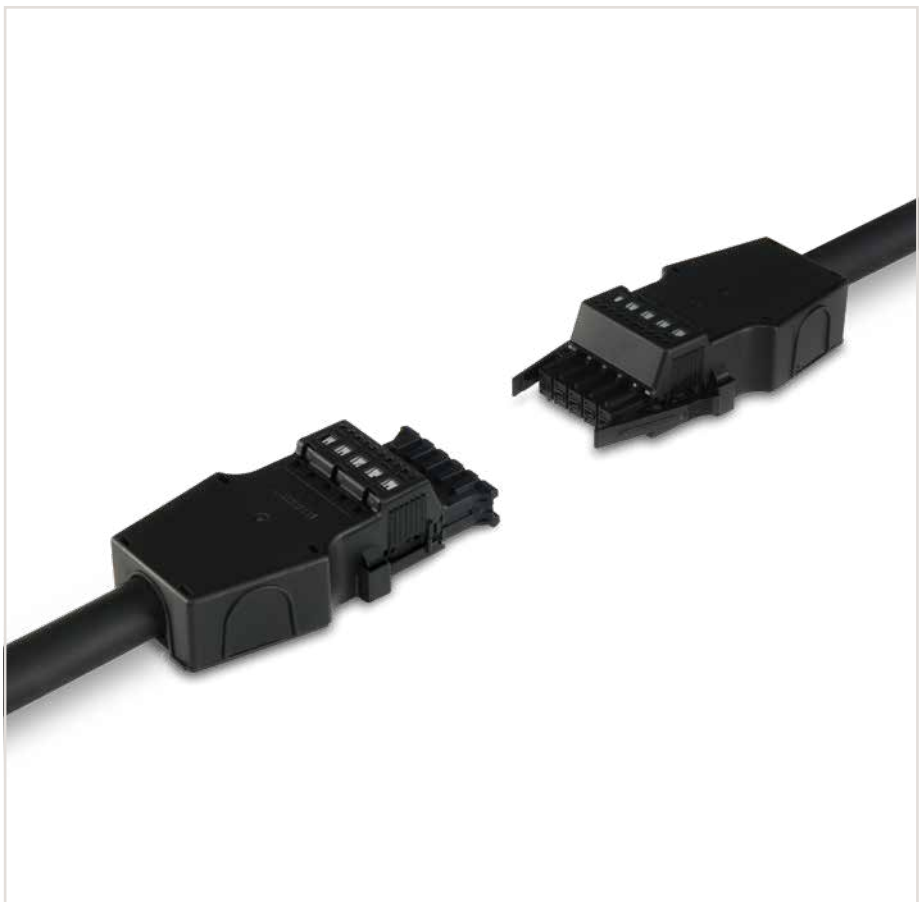
3



Unscrew base of strain relief housing.



Snap wired connector onto the base.



Tighten strain relief using a screwdriver.



Wired connector fitted in base of strain relief housing.



Latch the top of the strain relief housing.

Pluggable Connector ▶ WINSTA® MAXI ▶ 831 Series

Pole No.: 5



- Protected against mismatching and maintenance-free
- Push-in CAGE CLAMP® spring pressure connection technology allows solid conductors to be simply pushed into a unit.
- Minimize voltage drop over longer cable runs.

Electrical Data

Ratings per	IEC/EN 60664-1		
Overvoltage category	III	III	II
Pollution degree	3	2	2
Rated voltage	400 V	-	-
Rated impulse voltage	6 kV	-	-
Rated current	35 A	-	-

Connection Data

Connection technology	Push-in CAGE CLAMP®
Strip length	13 mm / 0.51 inch
Nominal cross-section	6 mm ²
Solid conductor	0.5 ... 6 mm ² / 20 ... 8 AWG
Stranded conductor	0.5 ... 4 mm ² / 20 ... 12 AWG
Fine-stranded conductor	0.5 ... 6 mm ² / 20 ... 8 AWG

Material Data

Insulation material	Polyamide (PA66)
Clamping spring material	Chrome nickel spring steel (CrNi)
Contact material	Copper or copper alloy (surface-treated)

Mechanical Data

Number of mating cycles	100, without resistive load
Mating force of a plug-in connection	approx. 30 ... 70 N (depending on number of poles)
Unmating force of a plug-in connection	Unlocked: approx. 30 ... 70 N (depending on number of poles)
Retention force of a plug-in connection	Locked: > 80 N
Protection type	IP20
Note on protection type	When mated and secured with a strain relief housing: IP2xC (These compact connectors are not designed for use in open, easily accessible areas!)

Environmental Requirements

Processing temperature	-5 ... +40 °C
Continuous operating temperature	-35 ... +85 °C
Note on continuous operating temperature	Insulating parts for temperatures ≤ 105 °C

All WINSTA® components are 100% protected against mismatching when:

- plugging different numbers of poles
- plugging while rotated 180
- plugging while laterally staggered
- plugging one pole

Tool Page 400

See technical section for further information

For approvals and corresponding ratings, visit www.wago.com

Pluggable Connector ▶ WINSTA® MAXI ▶ 831 Series

Pole No.: 5

Female connector/socket

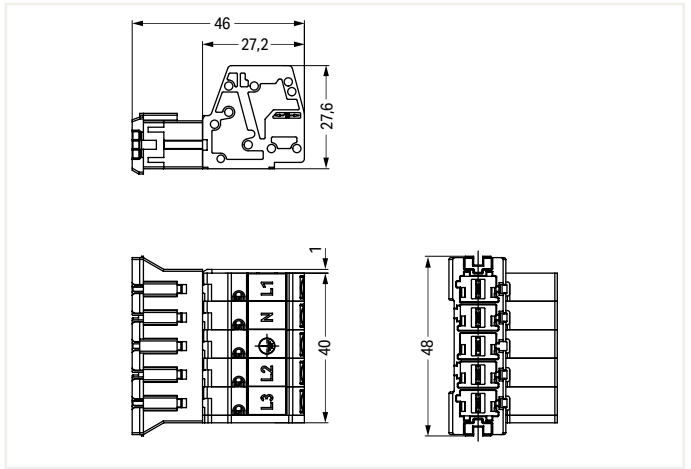
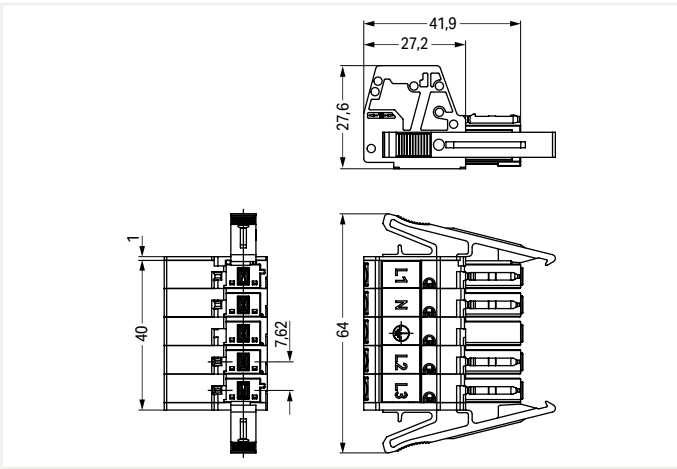


Male connector/plug



Color	Coding	Marking	Item No.	PU
● black	A	L1 N ⊕ L2 L3	831-3105/1019-004	5
○ white	A	L1 N ⊕ L2 L3	831-3105/1019-050	5

Color	Coding	Marking	Item No.	PU
● black	A	L1 N ⊕ L2 L3	831-3205/1020-004	5
○ white	A	L1 N ⊕ L2 L3	831-3205/1020-050	5



3

PU = Packaging Unit; SPU = Subpackaging Unit; Dimensions in mm