






# WAGO Pluggable Connection System *WINSTA*® MINI

# WAGO Pluggable Connection System WINSTA® MINI ▶ 890, 891 Series

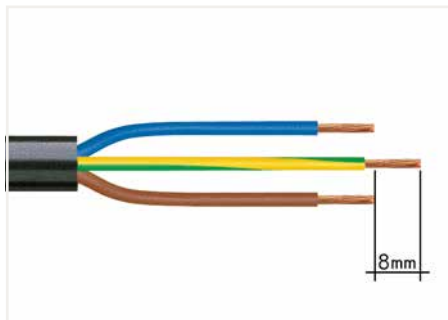
## 1.5 mm<sup>2</sup> / 16 A

- Note:
- Installation connectors are designed for connection and disconnection while not under load.
  - There is no hazard-inducing interchangeability with systems based on IEC 60309, IEC 60320, IEC 60906 and with national connector and socket systems.
  - Compliance with the standards (IEC 61535) does not guarantee hazard-preventing, non-interchangeability with installation connector systems from various manufacturers.
  - Installation connector systems are not a substitute for residential connector/socket systems.
  - B-Coded components from the WINSTA® MINI series are designed for specialty applications (e.g., measurement, control and regulation technology) and certified per DIN EN 61984.

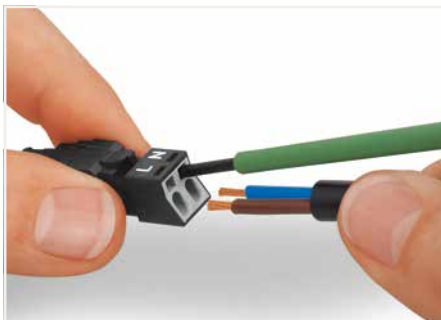
	Page	
	<b>Pluggable Connectors, 890 Series</b>	
	2-pole	30
	3-pole	54
	4-pole	76
	5-pole	98
	<b>Snap-In Device Connectors, 890 Series</b>	
	2-pole	34
	3-pole	58
	4-pole	80
	5-pole	102
	<b>Pluggable PCB Connectors, 890 Series</b>	
	2-pole	36
	3-pole	60
	4-pole	82
	5-pole	104
	<b>Distribution Connectors, 890 Series</b>	
	2-pole	40
	3-pole	64
	4-pole	86
	5-pole	108
	<b>Cable Assemblies, 891 Series</b>	
	2-pole	44
	3-pole	68
	4-pole	92
	5-pole	112

# WINSTA® MINI ▶ 890, 891 Series Installation

1



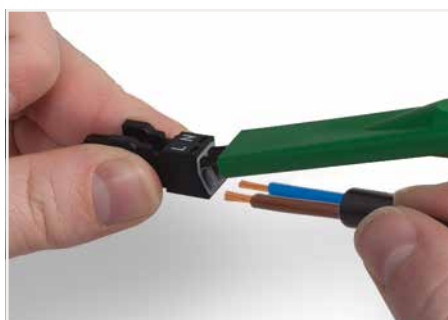
1. Strip length, outer insulation = x mm ❶
2. Strip length = 9 mm
3. Extended ground conductor = 8 mm



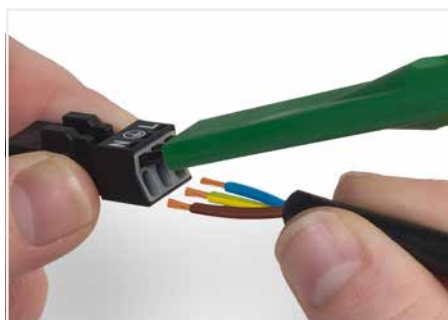
To terminate fine-stranded conductors, open the clamping unit via screwdriver (2.5 mm blade width) and insert a stripped conductor until it hits backstop. Terminate solid conductors by simply pushing them in.



Latch wired connector onto the base of the strain relief housing.



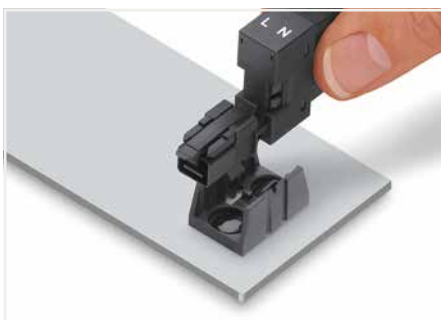
To terminate fine-stranded conductors, open clamping units via operating tool (890-382) and insert stripped conductors until they hit backstop. Terminate solid conductors by simply pushing them in.



To terminate fine-stranded conductors, open clamping units via operating tool (890-383) and insert stripped conductors until they hit backstop. Terminate solid conductors by simply pushing them in.



Secure the mounting plate via pins.



The distribution connectors snap together when attached to the mounting plate.



All connectors for mounted installations (snap-in versions, pluggable PCB connectors, distribution connectors) are factory-equipped with locking levers to ensure plugs and sockets are securely locked. Additional locking levers are only required for "flying leads" (plug/socket).

❶ Strip length, outer insulation: 2-pole = 32 mm, 3-pole = 40 mm, 4- and 5-pole = 45 mm

**PUSH-IN CAGE CLAMP®**

1



Push down strain relief clamp by hand.



Push down strain relief clamp via 2.5 mm screwdriver alternately on both sides.



Latch the top of the strain relief housing.



The printed marking of the connector is clearly visible in the openings of the strain relief housing.



Connector with shield termination



Apply the shield to the rubber cable.  
Strip length, outer insulation = 40 mm  
Shield length = 8 mm



Push the shield connecting plate into the connector until fully inserted.



First insert the wired connector into strain relief housing, then snap clamp and cover.

# WINSTA® MINI ▶ Coding: B ▶ 890, 891 Series

## Description and Installation

1



Gray, B-coded connector with "3 2 1" marking, e.g., control signal (A circuit)



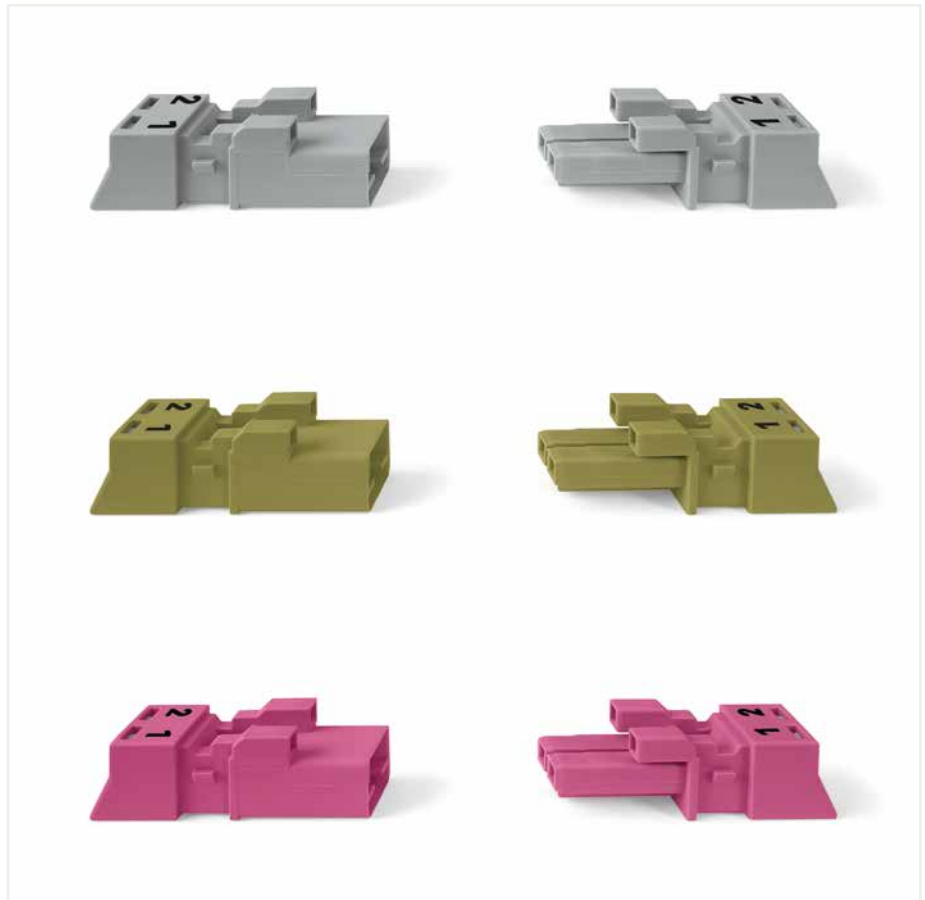
Easy circuit identification via different marking and colors



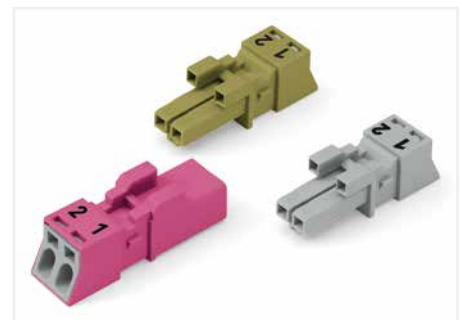
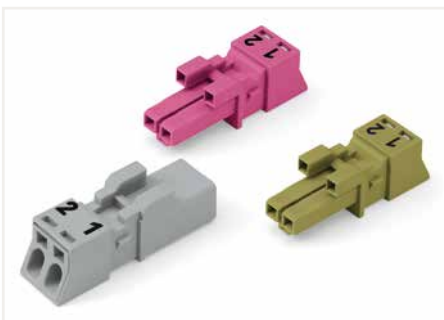
B-coded connectors (shown in gray) not only differ in color, but also in their design, making them incompatible with other coded connectors.



Light green, B-coded connector with "3 2 1" marking, e.g., DC power supply (24 V circuit)



Pink, B-coded connector with "3 2 1" marking, e.g., control signal (B circuit)



B-coded connectors with different colors can be plugged together.

**Important note:**

Different colors and/or pole markings are used for circuit identification.

Only connectors of the same color and same pole marking must be plugged together.

Installation notes for conductor connection, shield termination, operating tools and mounting aids for WINSTA® MIDI pluggable connectors, see page 26.



## Pluggable Connector ▶ WINSTA® MINI ▶ 890 Series

Pole No.: 2

1



- Protected against mismatching and maintenance-free
- Push-in CAGE CLAMP® spring pressure connection technology allows solid conductors to be simply pushed into a unit
- Compact design with 4.4 mm pole spacing
- When assembled the installation connectors complies with IP40 and are suitable for easily accessible areas

Electrical Data			
<b>Coding</b>	A;B;I		
Ratings per	IEC/EN 60664-1		
Overvoltage category	III	III	II
Pollution degree	3	2	2
Rated voltage	250 V	-	-
Rated impulse voltage	4 kV	-	-
Rated current	16 A	-	-
Approbations per	UL 1977		
Rated voltage	600 V		
Rated current	14 A		

Connection Data	
Connection technology	Push-in CAGE CLAMP®
Strip length	9 mm / 0.35 inch
Nominal cross-section	1.5 mm <sup>2</sup>
Solid conductor	0.25 ... 1.5 mm <sup>2</sup> / 22 ... 16 AWG
Solid conductor; push-in termination	0.75 ... 1.5 mm <sup>2</sup> / 20 ... 16 AWG
Stranded conductor	0.25 ... 1 mm <sup>2</sup> / 22 ... 18 AWG
Fine-stranded conductor	0.25 ... 1.5 mm <sup>2</sup> / 22 ... 16 AWG
Fine-stranded conductor; with insulated ferrule	0.25 ... 0.75 mm <sup>2</sup> / 22 ... 20 AWG
Fine-stranded conductor; with uninsulated ferrule	0.25 ... 0.75 mm <sup>2</sup> / 22 ... 20 AWG
Fine-stranded conductor; with ferrule; push-in termination	0.75 mm <sup>2</sup> / 20 AWG

Material Data	
Insulation material	Polyamide (PA66)
Clamping spring material	Chrome nickel spring steel (CrNi)
Contact material	Copper or copper alloy (surface-treated)

Mechanical Data	
Number of mating cycles	200, without resistive load
Mating force of a plug-in connection	approx. 20 ... 70 N (depending on pole number)
Unmating force of a plug-in connection	Unlocked: approx. 20 ... 70 N (depending on pole number)
Retention force of a plug-in connection	Locked: > 80 N

Environmental Requirements	
Processing temperature	-5 ... +40 °C
Continuous operating temperature	-35 ... +85 °C
Note on continuous operating temperature	Insulating parts for temperatures ≤ 105 °C

All WINSTA® components are 100% protected against mismatching when:

- plugging different numbers of poles
- plugging while rotated 180
- plugging while laterally staggered
- plugging one pole

Tool Page 400

See technical section for further information

For approvals and corresponding ratings, visit [www.wago.com](http://www.wago.com)

# Pluggable Connector ▶ WINSTA® MINI ▶ 890 Series

Pole No.: 2

Strain relief housing, short ▶ Female connector/socket ▶ Strip length (outer insulation): 17.5 mm ▶ Connectable sheathed cable diameter: 3.8 ... 8.2 mm ▶ Protection class: IP40

Strain relief housing, short ▶ Male connector/plug ▶ Strip length (outer insulation): 17.5 mm ▶ Connectable sheathed cable diameter: 3.8 ... 8.2 mm ▶ Protection class: IP40



890-202/342-000



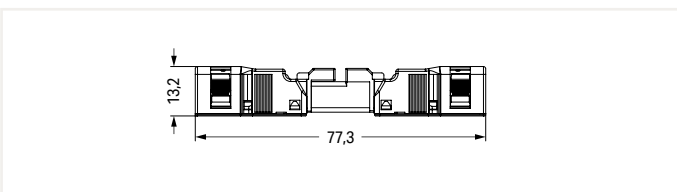
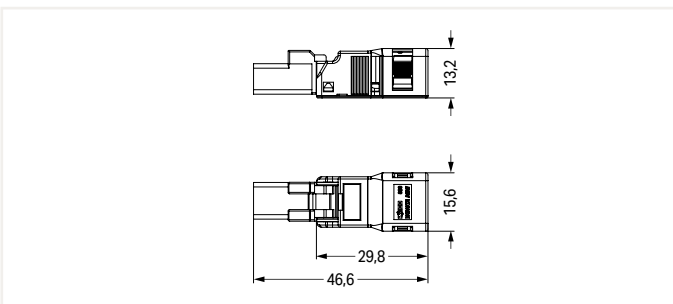
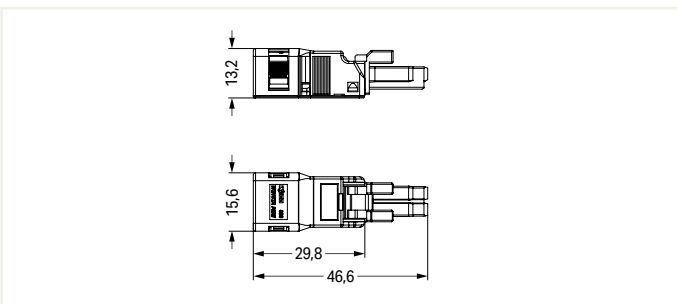
890-212/342-000

**General mains applications**

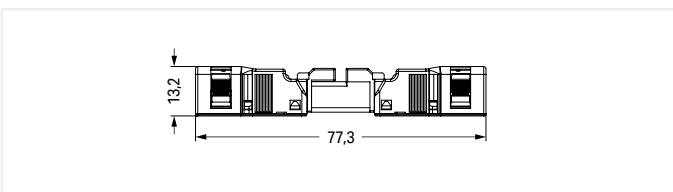
Color	Coding	Marking	Item No.	PU
● black	A	L N	890-202/342-000	50

**General mains applications**

Color	Coding	Marking	Item No.	PU
● black	A	L N	890-212/342-000	50



Overall length when mated



Overall length when mated

**Accessories; for all products on this page**



Locking lever; for flying leads; manually operated

Color	Item No.	PU (SPU)
● black	890-101	100 (50)
○ white	890-121	100 (50)



Locking lever; for flying leads; tool operated

Color	Item No.	PU (SPU)
● black	890-111	100 (50)
○ white	890-131	100 (50)



Mounting carrier; for flying leads; 2- to 5-pole

Color	Item No.	PU
● black	890-310	100
○ white	890-311	100



Operating tool; for WAGO WINSTA® MINI Connectors; Pole No.: 2

Color	Item No.	PU
● green	890-382	1

PU = Packaging Unit; SPU = Subpackaging Unit; Dimensions in mm



# Pluggable Connector ▶ WINSTA® MINI ▶ 890 Series

## Pole No.: 2

Strain relief housing ▶ Female connector/socket ▶ Strip length (outer insulation): 32 mm ▶ Connectable sheathed cable diameter: 3.8 ... 8.2 mm ▶ Protection class: IP40

Strain relief housing ▶ Male connector/plug ▶ Strip length (outer insulation): 32 mm ▶ Connectable sheathed cable diameter: 3.8 ... 8.2 mm ▶ Protection class: IP40



890-102

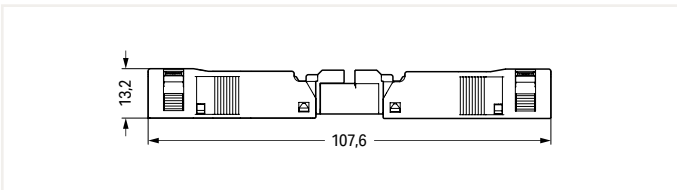
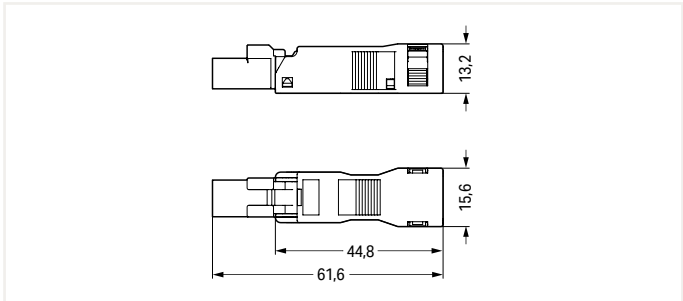
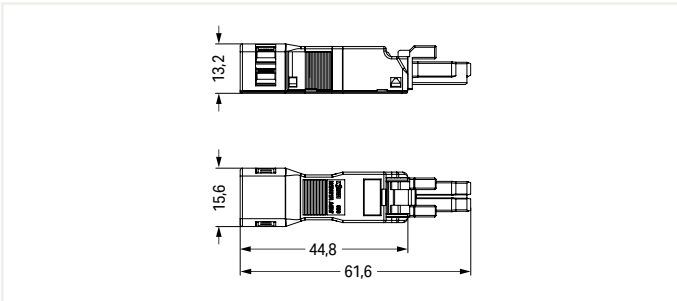
890-112

**General mains applications**

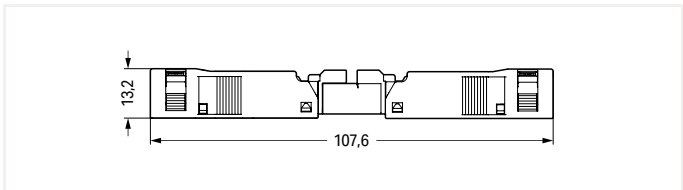
Color	Coding	Marking	Item No.	PU
● black	A	L N	890-102	50
○ white	A	L N	890-122	50

**General mains applications**

Color	Coding	Marking	Item No.	PU
● black	A	L N	890-112	50
○ white	A	L N	890-132	50



Overall length when mated



Overall length when mated

**Accessories; for all products on this page**



Locking lever; for flying leads; manually operated		
Color	Item No.	PU (SPU)
● black	890-101	100 (50)
○ white	890-121	100 (50)



Locking lever; for flying leads; tool operated		
Color	Item No.	PU (SPU)
● black	890-111	100 (50)
○ white	890-131	100 (50)



Mounting carrier; for flying leads; 2- to 5-pole		
Color	Item No.	PU
● black	890-310	100
○ white	890-311	100



Operating tool; for WAGO WINSTA® MINI Connectors; Pole No.: 2

Color	Item No.	PU
● green	890-382	1

PU = Packaging Unit; SPU = Subpackaging Unit; Dimensions in mm

# Pluggable Connector ▶ WINSTA® MINI ▶ 890 Series

## Pole No.: 2

Female connector/socket ▶ Protection class: IP20; IP40 with strain relief housing

Male connector/plug ▶ Protection class: IP20; IP40 when mated with strain relief housing



890-202



890-212

### General mains applications

Color	Coding	Marking	Item No.	PU
● black	A	L N	890-202	50
○ white	A	L N	890-222	50

### Measurement and regulation technology

Color	Coding	Marking	Item No.	PU
● gray	B	1 2	890-242	50
● gray	B	L N	890-242/060-000	50
● light green	B	1 2	890-262	50
● pink	B	1 2	890-282	50
● pink	B	I+ I-	890-282/080-000	50
● pink	B	+ -	890-282/082-000	50

### DALI, Lighting Management

Color	Coding	Marking	Item No.	PU
● blue	I	+ -	890-1102	50

### General mains applications

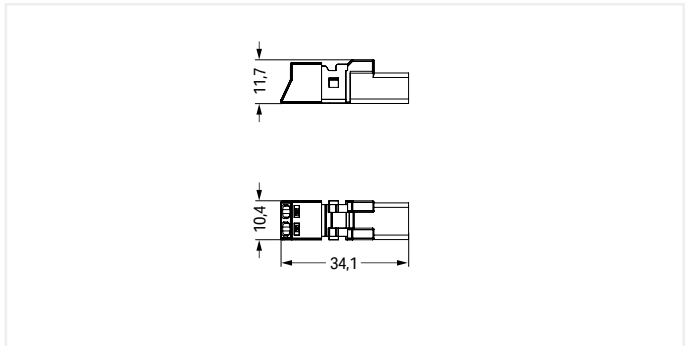
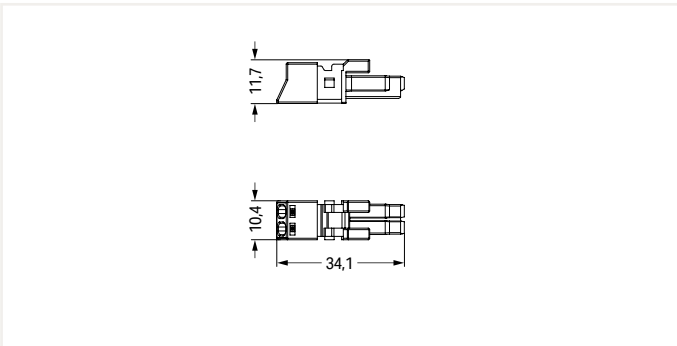
Color	Coding	Marking	Item No.	PU
● black	A	L N	890-212	50
○ white	A	L N	890-232	50

### Measurement and regulation technology

Color	Coding	Marking	Item No.	PU
● gray	B	1 2	890-252	50
● gray	B	L N	890-252/060-000	50
● light green	B	1 2	890-272	50
● pink	B	1 2	890-292	50
● pink	B	I+ I-	890-292/080-000	50
● pink	B	+ -	890-292/082-000	50

### DALI, Lighting Management

Color	Coding	Marking	Item No.	PU
● blue	I	+ -	890-1112	50



### Accessories; for all products on this page



Locking lever; for flying leads; manually operated

Color	Item No.	PU (SPU)
● black	890-101	100 (50)
○ white	890-121	100 (50)



Locking lever; for flying leads; tool operated

Color	Item No.	PU (SPU)
● black	890-111	100 (50)
○ white	890-131	100 (50)



Mounting carrier; for flying leads; 2- to 5-pole

Color	Item No.	PU
● black	890-310	100
○ white	890-311	100



Operating tool; for WAGO WINSTA® MINI Connectors; Pole No.: 2

Color	Item No.	PU
● green	890-382	1



Strain relief housing; Connectable sheathed cable diameter: 3.8 ... 8.2 mm; Strip length (outer insulation): 32 mm

Color	Item No.	PU
● black	890-502	50
○ white	890-512	50



Strain relief housing; Connectable sheathed cable diameter: 3.8 ... 8.2 mm; Strip length (outer insulation): 17.5 mm

Color	Item No.	PU
● black	890-502/342-000	50
○ white	890-512/342-000	50

PU = Packaging Unit; SPU = Subpackaging Unit; Dimensions in mm

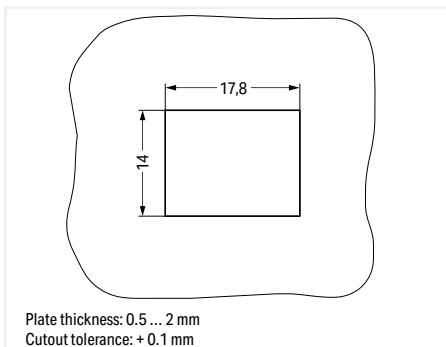
## Snap-in Device Connector ▶ WINSTA® MINI ▶ 890 Series

Pole No.: 2

1



- Protected against mismatching and maintenance-free
- Push-in CAGE CLAMP® spring pressure connection technology allows solid conductors to be simply pushed into a unit.
- Low profile with 4.4 mm pole spacing
- When assembled, the installation connectors comply with IP40 and are suitable for easily accessible areas.



Electrical Data			
Coding	A;B;I		
Ratings per	IEC/EN 60664-1		
Overvoltage category	III	III	II
Pollution degree	3	2	2
Rated voltage	250 V	-	-
Rated impulse voltage	4 kV	-	-
Rated current	16 A	-	-
Approbations per	UL 1977		
Rated voltage	600 V		
Rated current	14 A		

Connection Data	
Connection technology	Push-in CAGE CLAMP®
Strip length	9 mm / 0.35 inch
Nominal cross-section	1.5 mm <sup>2</sup>
Solid conductor	0.25 ... 1.5 mm <sup>2</sup> / 22 ... 16 AWG
Solid conductor; push-in termination	0.75 ... 1.5 mm <sup>2</sup> / 20 ... 16 AWG
Stranded conductor	0.25 ... 1 mm <sup>2</sup> / 22 ... 18 AWG
Fine-stranded conductor	0.25 ... 1.5 mm <sup>2</sup> / 22 ... 16 AWG
Fine-stranded conductor; with insulated ferrule	0.25 ... 0.75 mm <sup>2</sup> / 22 ... 20 AWG
Fine-stranded conductor; with uninsulated ferrule	0.25 ... 0.75 mm <sup>2</sup> / 22 ... 20 AWG
Fine-stranded conductor; with ferrule; push-in termination	0.75 mm <sup>2</sup> / 20 AWG

Material Data	
Insulation material	Polyamide (PA66)
Clamping spring material	Chrome nickel spring steel (CrNi)
Contact material	Copper or copper alloy (surface-treated)

Mechanical Data	
Number of mating cycles	200, without resistive load
Mating force of a plug-in connection	approx. 20 ... 70 N (depending on pole number)
Unmating force of a plug-in connection	Unlocked: approx. 20 ... 70 N (depending on pole number)
Retention force of a plug-in connection	Locked: > 80 N

Environmental Requirements	
Processing temperature	-5 ... +40 °C
Continuous operating temperature	-35 ... +85 °C
Note on continuous operating temperature	Insulating parts for temperatures ≤ 105 °C

All WINSTA® components are 100% protected against mismatching when:

- a.) plugging different numbers of poles
- b.) plugging while rotated 180
- c.) plugging while laterally staggered
- d.) plugging one pole

Tool Page 400

See technical section for further information

For approvals and corresponding ratings, visit [www.wago.com](http://www.wago.com)

# Snap-in Device Connector ▶ WINSTA® MINI ▶ 890 Series

## Pole No.: 2

Female connector/socket ▶ Protection class: IP40

Male connector/plug ▶ Protection class: IP20; IP40 when mated



890-702



890-712

**General mains applications**

Color	Coding	Marking	Item No.	PU (SPU)
● black	A	L N	890-702	50 (50)
○ white	A	L N	890-722	50 (50)

**Measurement and regulation technology**

Color	Coding	Marking	Item No.	PU (SPU)
● gray	B	1 2	890-742	50 (50)
● gray	B	L N	890-742/060-000	50 (50)
● light green	B	1 2	890-762	50 (50)
● pink	B	1 2	890-782	50 (50)
● pink	B	I+ I-	890-782/080-000	50 (50)
● pink	B	+ -	890-782/082-000	50 (50)

**DALI, Lighting Management**

Color	Coding	Marking	Item No.	PU (SPU)
● blue	I	+ -	890-2102	50 (50)

**General mains applications**

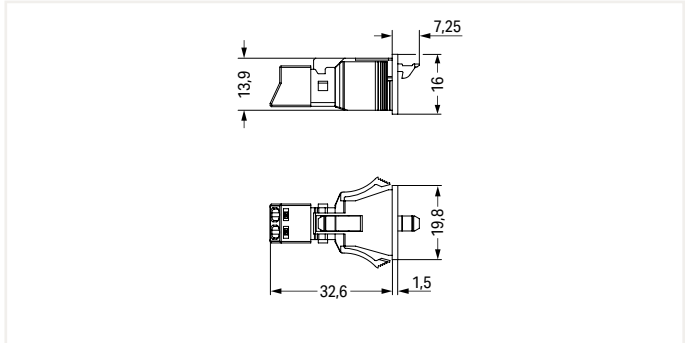
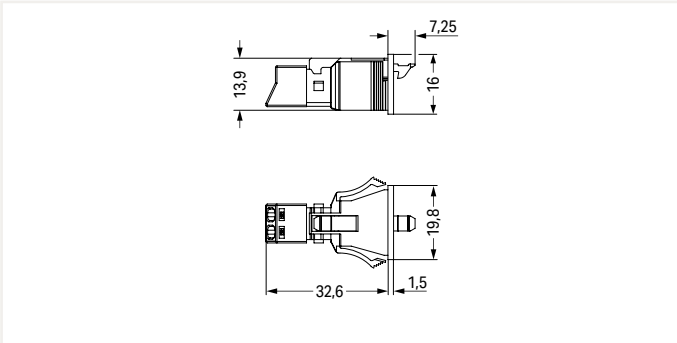
Color	Coding	Marking	Item No.	PU (SPU)
● black	A	L N	890-712	50 (50)
○ white	A	L N	890-732	50 (50)

**Measurement and regulation technology**

Color	Coding	Marking	Item No.	PU (SPU)
● gray	B	1 2	890-752	50 (50)
● gray	B	L N	890-752/060-000	50 (50)
● light green	B	1 2	890-772	50 (50)
● pink	B	1 2	890-792	50 (50)
● pink	B	I+ I-	890-792/080-000	50 (50)
● pink	B	+ -	890-792/082-000	50 (50)

**DALI, Lighting Management**

Color	Coding	Marking	Item No.	PU (SPU)
● blue	I	+ -	890-2112	50 (50)



**Accessories; for all products on this page**



Operating tool; for WAGO WINSTA® MINI Connectors;  
Pole No.: 2

Color	Item No.	PU
● green	890-382	1



Lockout cap; for cutout; Pole No.: 2

Color	Item No.	PU
● black	890-642	100
○ white	890-692	100

PU = Packaging Unit; SPU = Subpackaging Unit; Dimensions in mm

## Pluggable PCB Connector ▶ WINSTA® MINI ▶ 890 Series

Pole No.: 2

1



- Protected against mismatching and maintenance-free
- Push-in CAGE CLAMP® spring pressure connection technology allows solid conductors to be simply pushed into a unit.
- Low profile with 4.4 mm pole spacing

Electrical Data			
<b>Coding</b>	A;B;I		
Ratings per	IEC/EN 60664-1		
Overvoltage category	III	III	II
Pollution degree	3	2	2
Rated voltage	250 V	-	-
Rated impulse voltage	4 kV	-	-
Rated current	16 A	-	-
Approbations per	UL 1977		
Rated voltage	600 V		
Rated current	14 A		

Material Data	
Insulation material	Polyamide (PA66)
Clamping spring material	Chrome nickel spring steel (CrNi)
Contact material	Copper or copper alloy (surface-treated)

Mechanical Data	
Solder pin arrangement	2 in-line solder pins/pole
Solder pin length	3.5 mm
Solder pin dimensions	1 x 0.8 mm
Drilled hole diameter with tolerance	1.3 <sup>(+0.1)</sup> mm
Mating force of a plug-in connection	approx. 20 ... 70 N (depending on pole number)
Unmating force of a plug-in connection	Unlocked: approx. 20 ... 70 N (depending on pole number)
Retention force of a plug-in connection	Locked: > 80 N

Environmental Requirements	
Processing temperature	-5 ... +40 °C
Continuous operating temperature	-35 ... +85 °C
Note on continuous operating temperature	Insulating parts for temperatures ≤ 105 °C

All WINSTA® components are 100% protected against mismatching when:

- plugging different numbers of poles
- plugging while rotated 180
- plugging while laterally staggered
- plugging one pole

See technical section for further information

For approvals and corresponding ratings, visit [www.wago.com](http://www.wago.com)

# Pluggable PCB Connector ▶ WINSTA® MINI ▶ 890 Series

## Pole No.: 2

straight ▶ Female connector/socket

straight ▶ Male connector/plug



890-802

890-812

**General mains applications**

Color	Coding	Marking	Item No.	PU
● black	A	LN	890-802	100
○ white	A	LN	890-822	100

**General mains applications**

Color	Coding	Marking	Item No.	PU
● black	A	LN	890-812	100
○ white	A	LN	890-832	100

**Measurement and regulation technology**

Color	Coding	Marking	Item No.	PU
● gray	B	1 2	890-842	100
● light green	B	1 2	890-862	100
● pink	B	1 2	890-882	100

**Measurement and regulation technology**

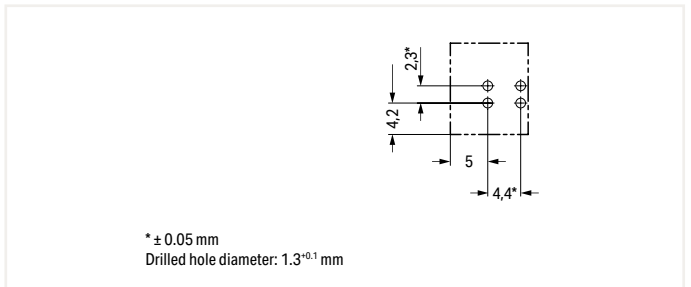
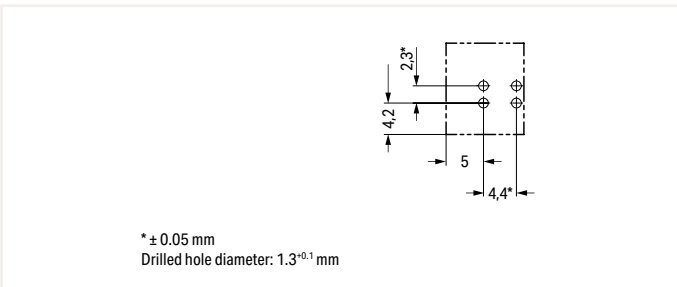
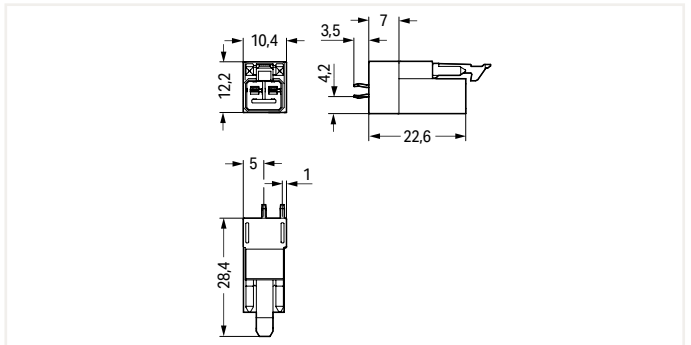
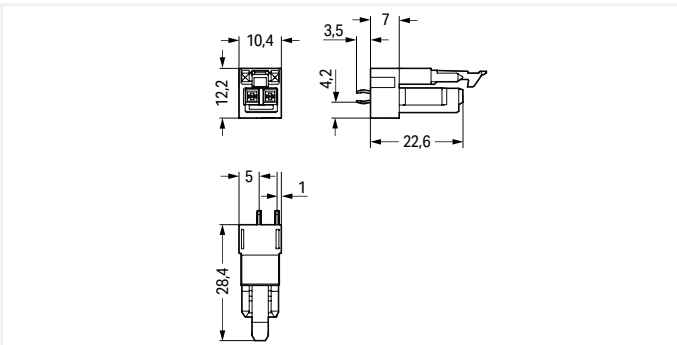
Color	Coding	Marking	Item No.	PU
● gray	B	1 2	890-852	100
● light green	B	1 2	890-872	100
● pink	B	1 2	890-892	100

**DALI, Lighting Management**

Color	Coding	Marking	Item No.	PU
● blue	I	+ -	890-3102	100

**DALI, Lighting Management**

Color	Coding	Marking	Item No.	PU
● blue	I	+ -	890-3112	100



PU = Packaging Unit; SPU = Subpackaging Unit; Dimensions in mm

# Pluggable PCB Connector ▶ WINSTA® MINI ▶ 890 Series

## Pole No.: 2

angled ▶ Female connector/socket

angled ▶ Male connector/plug

1



890-802/011-000

890-812/011-000

**General mains applications**

Color	Coding	Marking	Item No.	PU
● black	A	L N	890-802/011-000	100
○ white	A	L N	890-822/011-000	100

**General mains applications**

Color	Coding	Marking	Item No.	PU
● black	A	L N	890-812/011-000	100
○ white	A	L N	890-832/011-000	100

**Measurement and regulation technology**

Color	Coding	Marking	Item No.	PU
● gray	B	1 2	890-842/011-000	100
● light green	B	1 2	890-862/011-000	100
● pink	B	1 2	890-882/011-000	100

**Measurement and regulation technology**

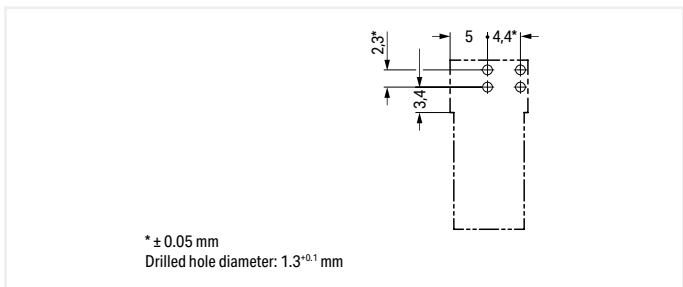
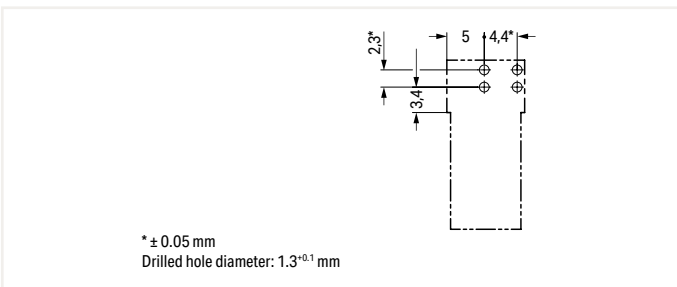
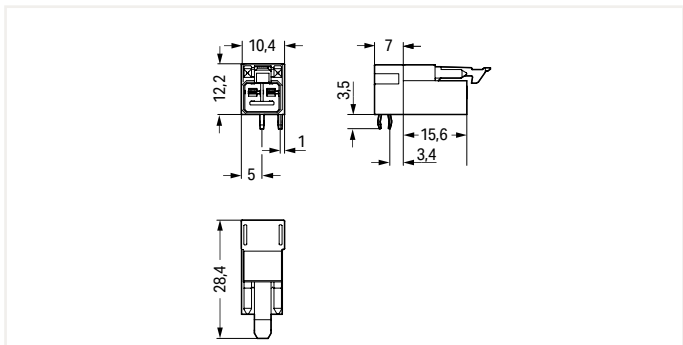
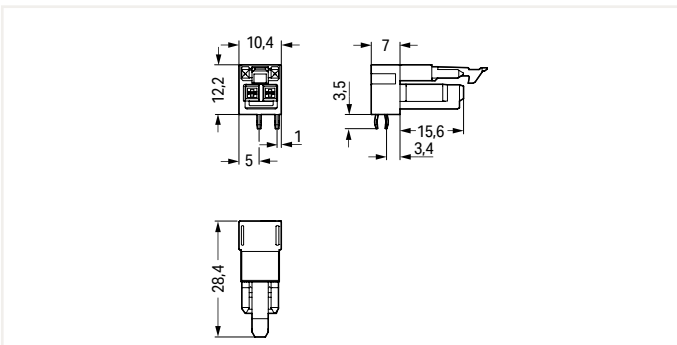
Color	Coding	Marking	Item No.	PU
● gray	B	1 2	890-852/011-000	100
● light green	B	1 2	890-872/011-000	100
● pink	B	1 2	890-892/011-000	100

**DALI, Lighting Management**

Color	Coding	Marking	Item No.	PU
● blue	I	+ -	890-3102/011-000	100

**DALI, Lighting Management**

Color	Coding	Marking	Item No.	PU
● blue	I	+ -	890-3112/011-000	100







## Distribution Connector ▶ WINSTA® MINI ▶ 890 Series

### Pole No.: 2 ▶ Protection class: IP20; IP40 when mated



- Protected against mismatching and maintenance-free
- Low profile with 4.4 mm pole spacing

Electrical Data			
<b>Coding</b>	A;B;I		
Ratings per	IEC/EN 60664-1		
Overvoltage category	III	III	II
Pollution degree	3	2	2
Rated voltage	250 V	-	-
Rated impulse voltage	4 kV	-	-
Rated current	16 A	-	-
<b>Approbations per</b>	UL 1977		
Rated voltage	600 V		
Rated current	14 A		
Material Data			
Insulation material	Polyamide (PA66)		
Contact material	Copper or copper alloy (surface-treated)		
Mechanical Data			
Number of mating cycles	200, without resistive load		
Mating force of a plug-in connection	Approx. 20 ... 70 N (depending on pole number)		
Unmating force of a plug-in connection	Unlocked: approx. 20 ... 70 N (depending on pole number)		
Retention force of a plug-in connection	When locked: > 80 N		
Protection type	IP20		
Note on protection type	IP40 when mated		
Environmental Requirements			
Processing temperature	-5 ... +40 °C		
Continuous operating temperature	-35 ... +85 °C		
Note on continuous operating temperature	Insulating parts for temperatures ≤ 105 °C		

All WINSTA® components are 100% protected against mismatching when:

- plugging different numbers of poles
- plugging while rotated 180
- plugging while laterally staggered
- plugging one pole

See technical section for further information

For approvals and corresponding ratings, visit [www.wago.com](http://www.wago.com)

# Distribution Connector ▶ WINSTA® MINI ▶ 890 Series

Pole No.: 2 ▶ Protection class: IP20; IP40 when mated

T-distribution connector ▶ Number of locking levers: 2

T-distribution connector ▶ Number of locking levers: 3 ▶ for flying leads



890-1606



890-1606

**General mains applications**

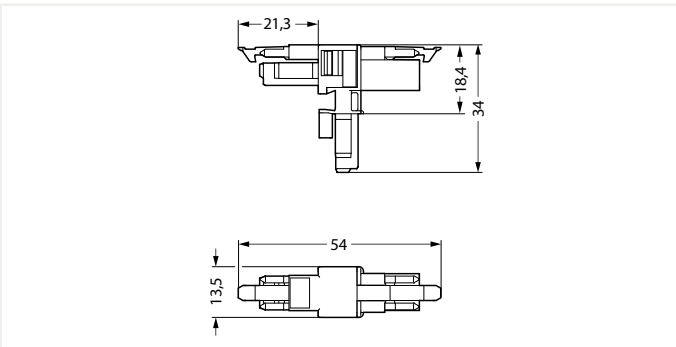
Color	Coding	Marking	Item No.	PU
● black	A	L N	890-1606	25
○ white	A	L N	890-1656	25

**Measurement and regulation technology**

Color	Coding	Marking	Item No.	PU
● gray	B	1 2	890-1601	25
● light green	B	1 2	890-1602	25
● pink	B	1 2	890-1603	25

**DALI, Lighting Management**

Color	Coding	Marking	Item No.	PU
● blue	I	+ -	890-1617	25



**General mains applications**

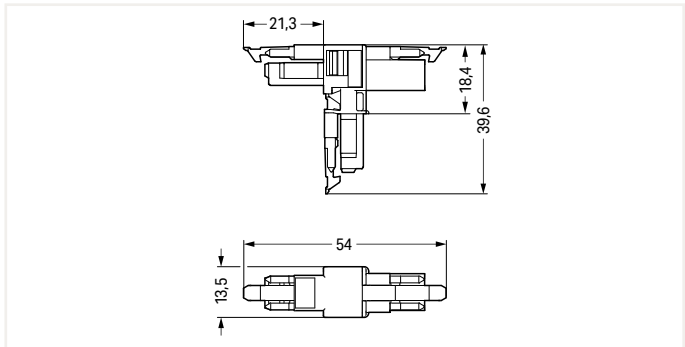
Color	Coding	Marking	Item No.	PU
● black	A	L N	890-1615	25
○ white	A	L N	890-1665	25

**Measurement and regulation technology**

Color	Coding	Marking	Item No.	PU
● gray	B	1 2	890-1701	25
● light green	B	1 2	890-1702	25
● pink	B	1 2	890-1703	25

**DALI, Lighting Management**

Color	Coding	Marking	Item No.	PU
● blue	I	+ -	890-1620	25



PU = Packaging Unit; SPU = Subpackaging Unit; Dimensions in mm

1

# Distribution Connector ▶ WINSTA® MINI ▶ 890 Series

Pole No.: 2 ▶ Protection class: IP20; IP40 when mated

h-distribution connector (unidirectional) ▶ Number of locking levers: 2

h-distribution connector (unidirectional) ▶ Number of locking levers: 3 ▶ for flying leads

1



890-1634



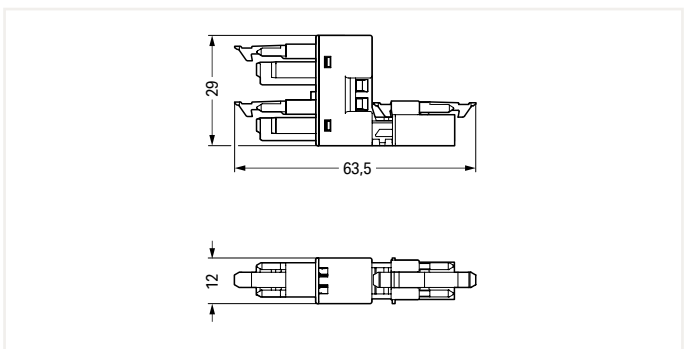
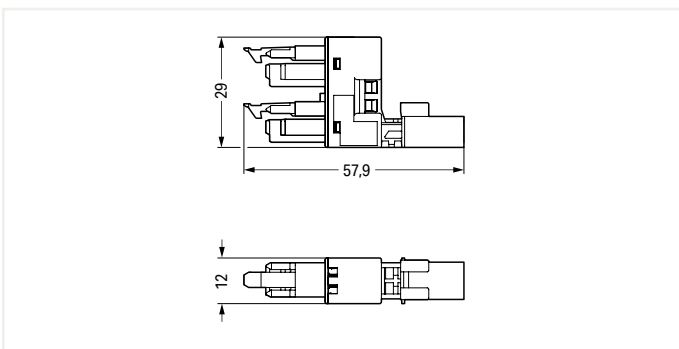
890-1634

**General mains applications**

Color	Coding	Marking	Item No.	PU
● black	A	L N	890-1634	50
○ white	A	L N	890-1684	50

**General mains applications**

Color	Coding	Marking	Item No.	PU
● black	A	L N	890-1636	50
○ white	A	L N	890-1686	50



Accessories; for all products on this page



Mounting plate; for distribution connectors (except T-distribution connectors); 2-pole

Color	Item No.	PU
● black	890-1622	50
○ white	890-1672	50

PU = Packaging Unit; SPU = Subpackaging Unit; Dimensions in mm

# Distribution Connector ▶ WINSTA® MINI ▶ 890 Series

Pole No.: 2 ▶ Protection class: IP20; IP40 when mated

Distribution connector, 3-way,

Distribution connector (5-way)

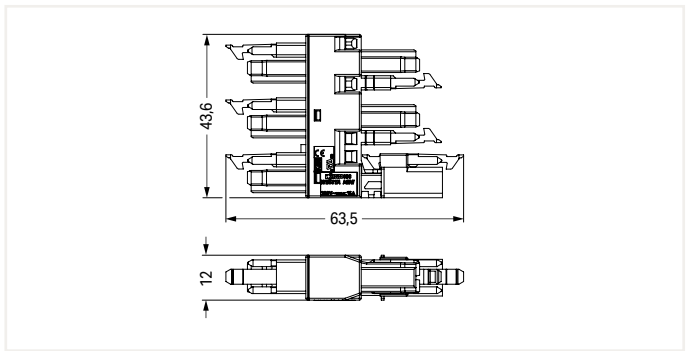
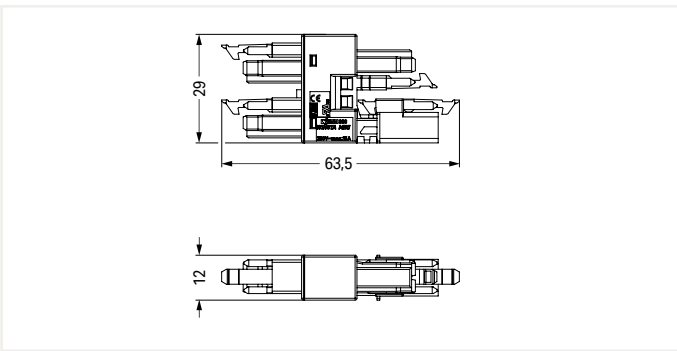


890-1904

890-1907

DALI, Lighting Management				
Color	Coding	Marking	Item No.	PU
● blue	I	+ -	890-1904	50

DALI, Lighting Management				
Color	Coding	Marking	Item No.	PU
● blue	I	+ -	890-1907	50



Accessories; for all products on this page



Mounting plate; for distribution connectors (except T-distribution connectors); 2-pole

Color	Item No.	PU
● black	890-1622	50
○ white	890-1672	50

PU = Packaging Unit; SPU = Subpackaging Unit; Dimensions in mm

## Cable Assembly ▶ WINSTA® MINI ▶ 891 Series

Pole No.: 2 ▶ Fire class per EN 50575: E<sub>ca</sub>

1



- Protected against mismatching and maintenance-free
- Low profile with 4.4 mm pole spacing

Electrical Data						
Coding	A;B			A;B;I		
Wire cross-section	1 mm <sup>2</sup>			1.5 mm <sup>2</sup>		
Ratings per	IEC/EN 60664-1			IEC/EN 60664-1		
Overvoltage category	III	III	II	III	III	II
Pollution degree	3	2	2	3	2	2
Rated voltage	250 V	-	-	250 V	-	-
Rated impulse voltage	4 kV	-	-	4 kV	-	-
Rated current	10 A	-	-	16 A	-	-

Material Data	
Insulation material	Polyamide (PA66)
Contact material	Copper or copper alloy (surface-treated)
Fire class per EN 50575	E <sub>ca</sub>

Mechanical Data	
Number of mating cycles	200, without resistive load
Mating force of a plug-in connection	approx. 20 ... 70 N (depending on pole number)
Unmating force of a plug-in connection	when unlocked: approx. 20 ... 70 N (depending on pole number)
Retention force of a plug-in connection	when locked: > 80N

Environmental Requirements	
Processing temperature	-5 ... +40 °C
Continuous operating temperature	-35 ... +85 °C
Note on continuous operating temperature	PVC cable for temperatures ≤ 70 °C (including halogen-free) Insulating parts for temperatures ≤ 105 °C

All WINSTA® components are 100% protected against mismatching when:

- a.) plugging different numbers of poles
- b.) plugging while rotated 180
- c.) plugging while laterally staggered
- d.) plugging one pole

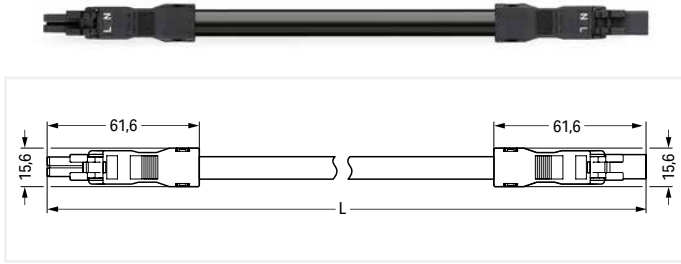
Cables with a different fire class can be found in the eShop.

See technical section for further information

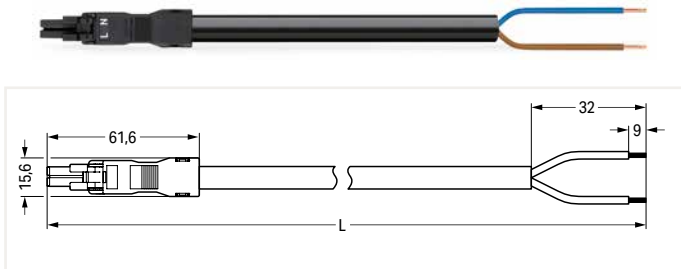
For approvals and corresponding ratings, visit [www.wago.com](http://www.wago.com)

### Cable Assembly ▶ WINSTA® MINI ▶ 891 Series

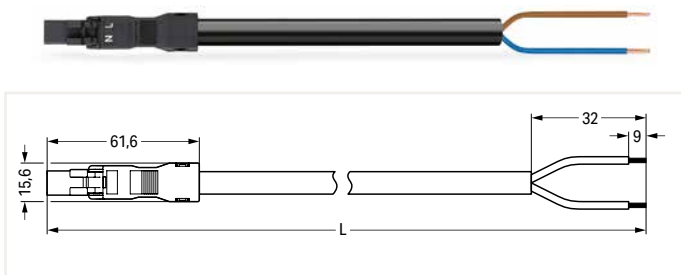
Pole No.: 2 ▶ Fire class per EN 50575: E<sub>ca</sub> ▶ Coding: A ▶ 1 mm<sup>2</sup> ▶ Marking: L N ▶ PVC ▶ Sheathed cable diameter: 5.9 ... 7.5 mm ▶ H05VV-F 2x1 ▶ General mains applications



Interconnecting cable ▶ Socket - Plug ▶ Protection class: IP20; IP40 when mated			
Total length	Connector color/Strain relief color		PU
	black/black	white/white	
1 m	891-8992/005-101	891-8992/005-102	1
2 m	891-8992/005-201	891-8992/005-202	1
3 m	891-8992/005-301	891-8992/005-302	1
4 m	891-8992/005-401	891-8992/005-402	1
5 m	891-8992/005-501	891-8992/005-502	1
6 m	891-8992/005-601	891-8992/005-602	1
7 m	891-8992/005-701	891-8992/005-702	1
8 m	891-8992/005-801	891-8992/005-802	1



Connecting cable ▶ Socket - Free end ▶ Protection class: IP40			
Total length	Connector color/Strain relief color		PU
	black/black	white/white	
1 m	891-8992/105-101	891-8992/105-102	1
2 m	891-8992/105-201	891-8992/105-202	1
3 m	891-8992/105-301	891-8992/105-302	1
4 m	891-8992/105-401	891-8992/105-402	1
5 m	891-8992/105-501	891-8992/105-502	1
6 m	891-8992/105-601	891-8992/105-602	1
7 m	891-8992/105-701	891-8992/105-702	1
8 m	891-8992/105-801	891-8992/105-802	1



Connecting cable ▶ Plug - Free end ▶ Protection class: IP20; IP40 when mated			
Total length	Connector color/Strain relief color		PU
	black/black	white/white	
1 m	891-8992/205-101	891-8992/205-102	1
2 m	891-8992/205-201	891-8992/205-202	1
3 m	891-8992/205-301	891-8992/205-302	1
4 m	891-8992/205-401	891-8992/205-402	1
5 m	891-8992/205-501	891-8992/205-502	1
6 m	891-8992/205-601	891-8992/205-602	1
7 m	891-8992/205-701	891-8992/205-702	1
8 m	891-8992/205-801	891-8992/205-802	1

Accessories; for all products on this page



Locking lever; for flying leads; manually operated		
Color	Item No.	PU (SPU)
● black	890-101	100 (50)
○ white	890-121	100 (50)



Locking lever; for flying leads; tool operated		
Color	Item No.	PU (SPU)
● black	890-111	100 (50)
○ white	890-131	100 (50)



Mounting carrier; for flying leads; 2- to 5-pole		
Color	Item No.	PU
● black	890-310	100
○ white	890-311	100

PU = Packaging Unit; SPU = Subpackaging Unit; Dimensions in mm

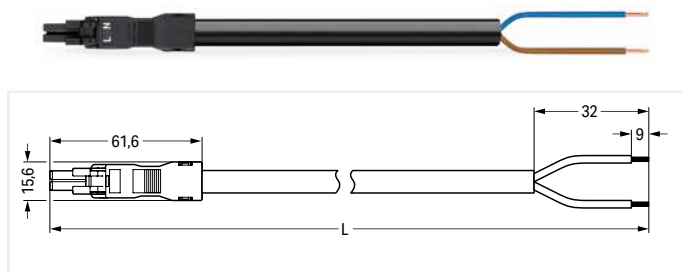
# Cable Assembly ▶ WINSTA® MINI ▶ 891 Series

Pole No.: 2 ▶ Fire class per EN 50575: E<sub>ca</sub> ▶ Coding: A ▶ 1 mm<sup>2</sup> ▶ Marking: L N ▶ Halogen-free ▶ Sheathed cable diameter: 5.9 ... 7.5 mm ▶ H05Z1Z1-F 2x1 ▶ General mains applications

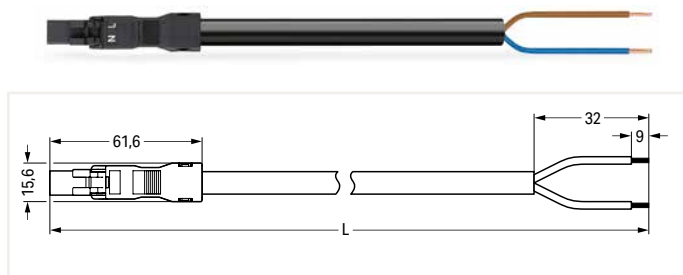
1



Interconnecting cable ▶ Socket - Plug ▶ Protection class: IP20; IP40 when mated			
Total length	Connector color/Strain relief color		PU
	black/black	white/white	
1 m	891-8992/015-101	891-8992/015-102	1
2 m	891-8992/015-201	891-8992/015-202	1
3 m	891-8992/015-301	891-8992/015-302	1
4 m	891-8992/015-401	891-8992/015-402	1
5 m	891-8992/015-501	891-8992/015-502	1
6 m	891-8992/015-601	891-8992/015-602	1
7 m	891-8992/015-701	891-8992/015-702	1
8 m	891-8992/015-801	891-8992/015-802	1



Connecting cable ▶ Socket - Free end ▶ Protection class: IP40			
Total length	Connector color/Strain relief color		PU
	black/black	white/white	
1 m	891-8992/115-101	891-8992/115-102	1
2 m	891-8992/115-201	891-8992/115-202	1
3 m	891-8992/115-301	891-8992/115-302	1
4 m	891-8992/115-401	891-8992/115-402	1
5 m	891-8992/115-501	891-8992/115-502	1
6 m	891-8992/115-601	891-8992/115-602	1
7 m	891-8992/115-701	891-8992/115-702	1
8 m	891-8992/115-801	891-8992/115-802	1



Connecting cable ▶ Plug - Free end ▶ Protection class: IP20; IP40 when mated			
Total length	Connector color/Strain relief color		PU
	black/black	white/white	
1 m	891-8992/215-101	891-8992/215-102	1
2 m	891-8992/215-201	891-8992/215-202	1
3 m	891-8992/215-301	891-8992/215-302	1
4 m	891-8992/215-401	891-8992/215-402	1
5 m	891-8992/215-501	891-8992/215-502	1
6 m	891-8992/215-601	891-8992/215-602	1
7 m	891-8992/215-701	891-8992/215-702	1
8 m	891-8992/215-801	891-8992/215-802	1

Accessories; for all products on this page



Locking lever; for flying leads; manually operated		
Color	Item No.	PU (SPU)
● black	890-101	100 (50)
○ white	890-121	100 (50)

Locking lever; for flying leads; tool operated		
Color	Item No.	PU (SPU)
● black	890-111	100 (50)
○ white	890-131	100 (50)

Mounting carrier; for flying leads; 2- to 5-pole		
Color	Item No.	PU
● black	890-310	100
○ white	890-311	100

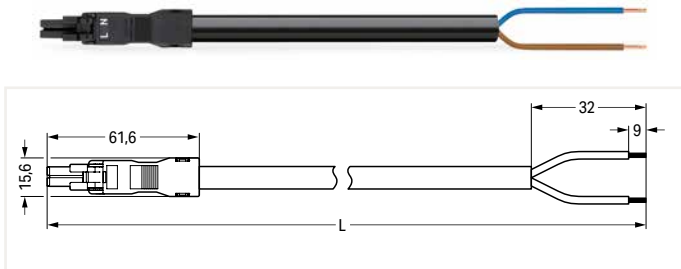
PU = Packaging Unit; SPU = Subpackaging Unit; Dimensions in mm

### Cable Assembly ▶ WINSTA® MINI ▶ 891 Series

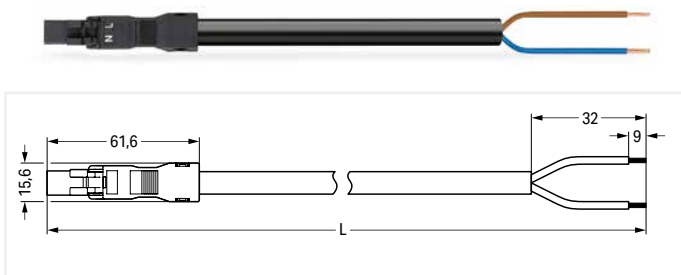
Pole No.: 2 ▶ Fire class per EN 50575: E<sub>ca</sub> ▶ Coding: A ▶ 1.5 mm<sup>2</sup> ▶ Marking: L N ▶ PVC ▶ Sheathed cable diameter: 6.8 ... 8.6 mm ▶ H05VV-F 2x1.5 ▶ General mains applications



Interconnecting cable ▶ Socket - Plug ▶ Protection class: IP20; IP40 when mated			
Total length	Connector color/Strain relief color		PU
	black/black	white/white	
1 m	891-8992/006-101	891-8992/006-102	1
2 m	891-8992/006-201	891-8992/006-202	1
3 m	891-8992/006-301	891-8992/006-302	1
4 m	891-8992/006-401	891-8992/006-402	1
5 m	891-8992/006-501	891-8992/006-502	1
6 m	891-8992/006-601	891-8992/006-602	1
7 m	891-8992/006-701	891-8992/006-702	1
8 m	891-8992/006-801	891-8992/006-802	1



Connecting cable ▶ Socket - Free end ▶ Protection class: IP40			
Total length	Connector color/Strain relief color		PU
	black/black	white/white	
1 m	891-8992/106-101	891-8992/106-102	1
2 m	891-8992/106-201	891-8992/106-202	1
3 m	891-8992/106-301	891-8992/106-302	1
4 m	891-8992/106-401	891-8992/106-402	1
5 m	891-8992/106-501	891-8992/106-502	1
6 m	891-8992/106-601	891-8992/106-602	1
7 m	891-8992/106-701	891-8992/106-702	1
8 m	891-8992/106-801	891-8992/106-802	1



Connecting cable ▶ Plug - Free end ▶ Protection class: IP20; IP40 when mated			
Total length	Connector color/Strain relief color		PU
	black/black	white/white	
1 m	891-8992/206-101	891-8992/206-102	1
2 m	891-8992/206-201	891-8992/206-202	1
3 m	891-8992/206-301	891-8992/206-302	1
4 m	891-8992/206-401	891-8992/206-402	1
5 m	891-8992/206-501	891-8992/206-502	1
6 m	891-8992/206-601	891-8992/206-602	1
7 m	891-8992/206-701	891-8992/206-702	1
8 m	891-8992/206-801	891-8992/206-802	1

Accessories; for all products on this page



Locking lever; for flying leads; manually operated		
Color	Item No.	PU (SPU)
● black	890-101	100 (50)
○ white	890-121	100 (50)



Locking lever; for flying leads; tool operated		
Color	Item No.	PU (SPU)
● black	890-111	100 (50)
○ white	890-131	100 (50)



Mounting carrier; for flying leads; 2- to 5-pole		
Color	Item No.	PU
● black	890-310	100
○ white	890-311	100

PU = Packaging Unit; SPU = Subpackaging Unit; Dimensions in mm



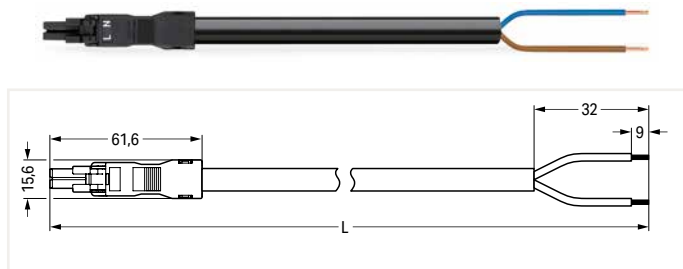
# Cable Assembly ▶ WINSTA® MINI ▶ 891 Series

Pole No.: 2 ▶ Fire class per EN 50575: E<sub>ca</sub> ▶ Coding: A ▶ 1.5 mm<sup>2</sup> ▶ Marking: L N ▶ Halogen-free ▶ Sheathed cable diameter: 6.8 ... 8.6 mm ▶ H05Z1Z1-F 2x1.5 ▶ General mains applications

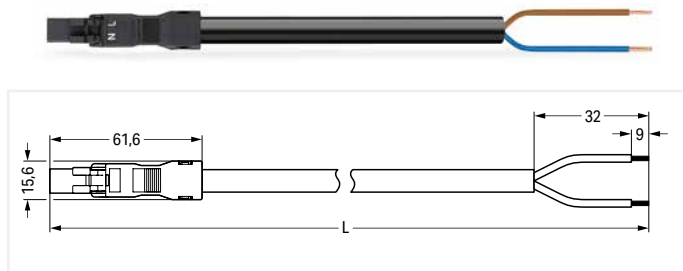
1



Interconnecting cable ▶ Socket - Plug ▶ Protection class: IP20; IP40 when mated			
Total length	Connector color/Strain relief color		PU
	black/black	white/white	
1 m	891-8992/016-101	891-8992/016-102	1
2 m	891-8992/016-201	891-8992/016-202	1
3 m	891-8992/016-301	891-8992/016-302	1
4 m	891-8992/016-401	891-8992/016-402	1
5 m	891-8992/016-501	891-8992/016-502	1
6 m	891-8992/016-601	891-8992/016-602	1
7 m	891-8992/016-701	891-8992/016-702	1
8 m	891-8992/016-801	891-8992/016-802	1



Connecting cable ▶ Socket - Free end ▶ Protection class: IP40			
Total length	Connector color/Strain relief color		PU
	black/black	white/white	
1 m	891-8992/116-101	891-8992/116-102	1
2 m	891-8992/116-201	891-8992/116-202	1
3 m	891-8992/116-301	891-8992/116-302	1
4 m	891-8992/116-401	891-8992/116-402	1
5 m	891-8992/116-501	891-8992/116-502	1
6 m	891-8992/116-601	891-8992/116-602	1
7 m	891-8992/116-701	891-8992/116-702	1
8 m	891-8992/116-801	891-8992/116-802	1



Connecting cable ▶ Plug - Free end ▶ Protection class: IP20; IP40 when mated			
Total length	Connector color/Strain relief color		PU
	black/black	white/white	
1 m	891-8992/216-101	891-8992/216-102	1
2 m	891-8992/216-201	891-8992/216-202	1
3 m	891-8992/216-301	891-8992/216-302	1
4 m	891-8992/216-401	891-8992/216-402	1
5 m	891-8992/216-501	891-8992/216-502	1
6 m	891-8992/216-601	891-8992/216-602	1
7 m	891-8992/216-701	891-8992/216-702	1
8 m	891-8992/216-801	891-8992/216-802	1

Accessories; for all products on this page



Locking lever; for flying leads; manually operated		
Color	Item No.	PU (SPU)
● black	890-101	100 (50)
○ white	890-121	100 (50)



Locking lever; for flying leads; tool operated		
Color	Item No.	PU (SPU)
● black	890-111	100 (50)
○ white	890-131	100 (50)

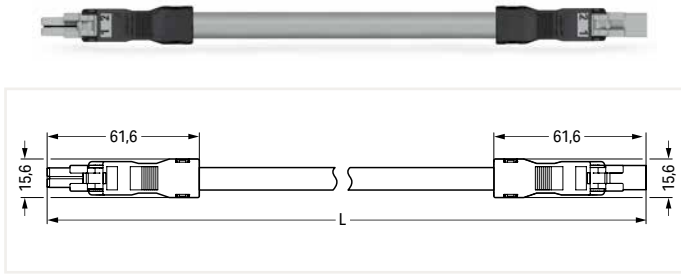


Mounting carrier; for flying leads; 2- to 5-pole		
Color	Item No.	PU
● black	890-310	100
○ white	890-311	100

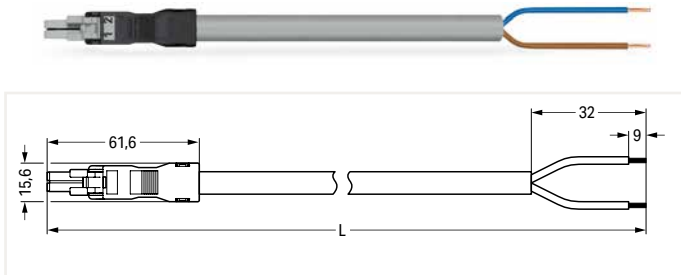
PU = Packaging Unit; SPU = Subpackaging Unit; Dimensions in mm

### Cable Assembly ▶ WINSTA® MINI ▶ 891 Series

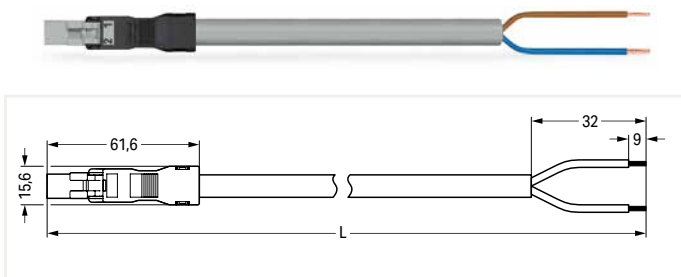
Pole No.: 2 ▶ Fire class per EN 50575: E<sub>ca</sub> ▶ Coding: B ▶ 1 mm<sup>2</sup> ▶ Marking: 1 2 ▶ PVC ▶ Sheathed cable diameter: 5.9 ... 7.5 mm ▶ Control line 2 x 1 ▶ Measurement and regulation technology



Interconnecting cable ▶ Socket - Plug ▶ Protection class: IP20; IP40 when mated				
Total length	Connector color/Strain relief color			PU
	gray/black	light green/black	pink/black	
1 m	891-8992/005-103	891-8992/005-105	891-8992/005-107	1
2 m	891-8992/005-203	891-8992/005-205	891-8992/005-207	1
3 m	891-8992/005-303	891-8992/005-305	891-8992/005-307	1
4 m	891-8992/005-403	891-8992/005-405	891-8992/005-407	1
5 m	891-8992/005-503	891-8992/005-505	891-8992/005-507	1
6 m	891-8992/005-603	891-8992/005-605	891-8992/005-607	1
7 m	891-8992/005-703	891-8992/005-705	891-8992/005-707	1
8 m	891-8992/005-803	891-8992/005-805	891-8992/005-807	1



Connecting cable ▶ Socket - Free end ▶ Protection class: IP40				
Total length	Connector color/Strain relief color			PU
	gray/black	light green/black	pink/black	
1 m	891-8992/105-103	891-8992/105-105	891-8992/105-107	1
2 m	891-8992/105-203	891-8992/105-205	891-8992/105-207	1
3 m	891-8992/105-303	891-8992/105-305	891-8992/105-307	1
4 m	891-8992/105-403	891-8992/105-405	891-8992/105-407	1
5 m	891-8992/105-503	891-8992/105-505	891-8992/105-507	1
6 m	891-8992/105-603	891-8992/105-605	891-8992/105-607	1
7 m	891-8992/105-703	891-8992/105-705	891-8992/105-707	1
8 m	891-8992/105-803	891-8992/105-805	891-8992/105-807	1



Connecting cable ▶ Plug - Free end ▶ Protection class: IP20; IP40 when mated				
Total length	Connector color/Strain relief color			PU
	gray/black	light green/black	pink/black	
1 m	891-8992/205-103	891-8992/205-105	891-8992/205-107	1
2 m	891-8992/205-203	891-8992/205-205	891-8992/205-207	1
3 m	891-8992/205-303	891-8992/205-305	891-8992/205-307	1
4 m	891-8992/205-403	891-8992/205-405	891-8992/205-407	1
5 m	891-8992/205-503	891-8992/205-505	891-8992/205-507	1
6 m	891-8992/205-603	891-8992/205-605	891-8992/205-607	1
7 m	891-8992/205-703	891-8992/205-705	891-8992/205-707	1
8 m	891-8992/205-803	891-8992/205-805	891-8992/205-807	1

Accessories; for all products on this page



Locking lever; for flying leads; manually operated			
Color	Item No.	PU (SPU)	
● black	890-101	100 (50)	
○ white	890-121	100 (50)	



Locking lever; for flying leads; tool operated			
Color	Item No.	PU (SPU)	
● black	890-111	100 (50)	
○ white	890-131	100 (50)	



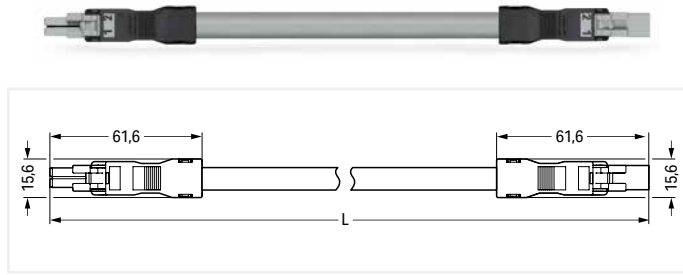
Mounting carrier; for flying leads; 2- to 5-pole			
Color	Item No.	PU	
● black	890-310	100	
○ white	890-311	100	

PU = Packaging Unit; SPU = Subpackaging Unit; Dimensions in mm

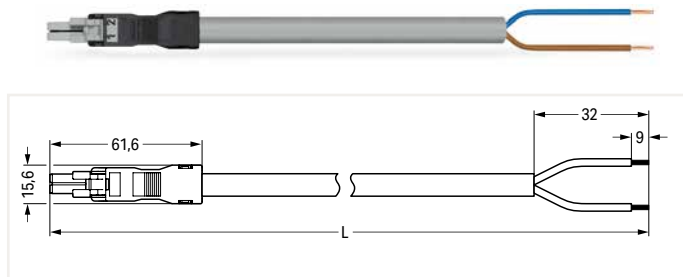
# Cable Assembly ▶ WINSTA® MINI ▶ 891 Series

Pole No.: 2 ▶ Fire class per EN 50575: E<sub>ca</sub> ▶ Coding: B ▶ 1.5 mm<sup>2</sup> ▶ Marking: 1 2 ▶ PVC ▶ Sheathed cable diameter: 6.8 ... 8.6 mm ▶ Control line 2 x 1.5 ▶ Measurement and regulation technology

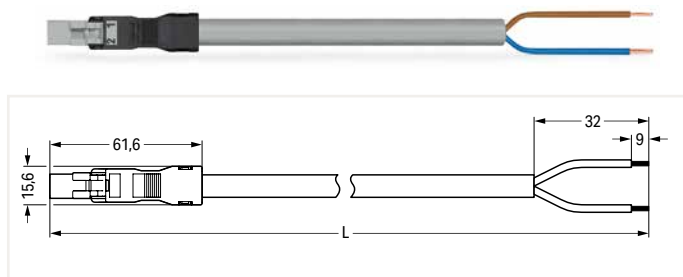
1



Interconnecting cable ▶ Socket - Plug ▶ Protection class: IP20; IP40 when mated				
Total length	Connector color/Strain relief color			PU
	gray/black	light green/black	pink/black	
1 m	891-8992/006-103	891-8992/006-105	891-8992/006-107	1
2 m	891-8992/006-203	891-8992/006-205	891-8992/006-207	1
3 m	891-8992/006-303	891-8992/006-305	891-8992/006-307	1
4 m	891-8992/006-403	891-8992/006-405	891-8992/006-407	1
5 m	891-8992/006-503	891-8992/006-505	891-8992/006-507	1
6 m	891-8992/006-603	891-8992/006-605	891-8992/006-607	1
7 m	891-8992/006-703	891-8992/006-705	891-8992/006-707	1
8 m	891-8992/006-803	891-8992/006-805	891-8992/006-807	1



Connecting cable ▶ Socket - Free end ▶ Protection class: IP40				
Total length	Connector color/Strain relief color			PU
	gray/black	light green/black	pink/black	
1 m	891-8992/106-103	891-8992/106-105	891-8992/106-107	1
2 m	891-8992/106-203	891-8992/106-205	891-8992/106-207	1
3 m	891-8992/106-303	891-8992/106-305	891-8992/106-307	1
4 m	891-8992/106-403	891-8992/106-405	891-8992/106-407	1
5 m	891-8992/106-503	891-8992/106-505	891-8992/106-507	1
6 m	891-8992/106-603	891-8992/106-605	891-8992/106-607	1
7 m	891-8992/106-703	891-8992/106-705	891-8992/106-707	1
8 m	891-8992/106-803	891-8992/106-805	891-8992/106-807	1



Connecting cable ▶ Plug - Free end ▶ Protection class: IP20; IP40 when mated				
Total length	Connector color/Strain relief color			PU
	gray/black	light green/black	pink/black	
1 m	891-8992/206-103	891-8992/206-105	891-8992/206-107	1
2 m	891-8992/206-203	891-8992/206-205	891-8992/206-207	1
3 m	891-8992/206-303	891-8992/206-305	891-8992/206-307	1
4 m	891-8992/206-403	891-8992/206-405	891-8992/206-407	1
5 m	891-8992/206-503	891-8992/206-505	891-8992/206-507	1
6 m	891-8992/206-603	891-8992/206-605	891-8992/206-607	1
7 m	891-8992/206-703	891-8992/206-705	891-8992/206-707	1
8 m	891-8992/206-803	891-8992/206-805	891-8992/206-807	1

Accessories; for all products on this page



Locking lever; for flying leads; manually operated		
Color	Item No.	PU (SPU)
● black	890-101	100 (50)
○ white	890-121	100 (50)



Locking lever; for flying leads; tool operated		
Color	Item No.	PU (SPU)
● black	890-111	100 (50)
○ white	890-131	100 (50)

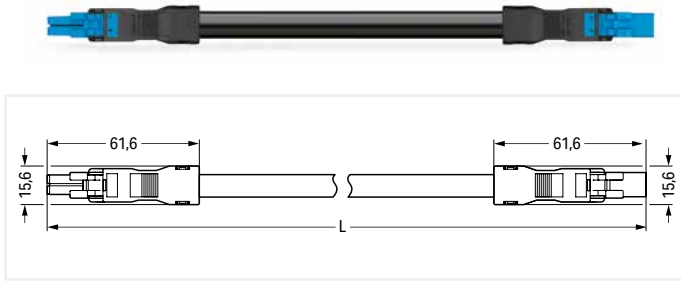


Mounting carrier; for flying leads; 2- to 5-pole		
Color	Item No.	PU
● black	890-310	100
○ white	890-311	100

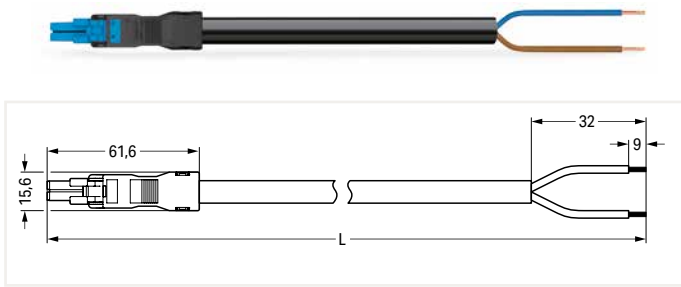
PU = Packaging Unit; SPU = Subpackaging Unit; Dimensions in mm

### Cable Assembly ▶ WINSTA® MINI ▶ 891 Series

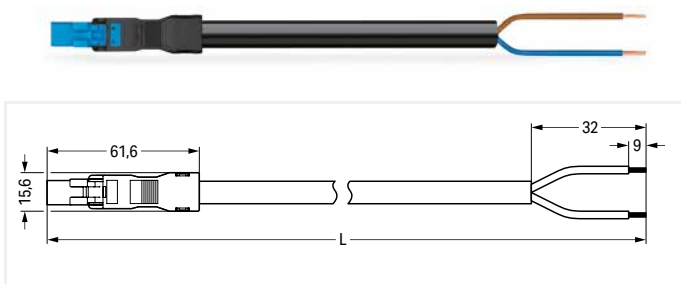
Pole No.: 2 ▶ Fire class per EN 50575: E<sub>ca</sub> ▶ Coding: I ▶ 1.5 mm<sup>2</sup> ▶ Marking: + - ▶ PVC ▶ Sheathed cable diameter: 6.8 ... 8.6 mm ▶ H05VV-F 2x1.5 ▶ DALI, Lighting Management



Interconnecting cable ▶ Socket - Plug ▶ Protection class: IP20; IP40 when mated			
Total length	Connector color/Strain relief color		PU
	blue/black	blue/white	
1 m	891-8982/006-101	891-8982/006-102	1
2 m	891-8982/006-201	891-8982/006-202	1
3 m	891-8982/006-301	891-8982/006-302	1
4 m	891-8982/006-401	891-8982/006-402	1
5 m	891-8982/006-501	891-8982/006-502	1
6 m	891-8982/006-601	891-8982/006-602	1
7 m	891-8982/006-701	891-8982/006-702	1
8 m	891-8982/006-801	891-8982/006-802	1



Connecting cable ▶ Socket - Free end ▶ Protection class: IP40			
Total length	Connector color/Strain relief color		PU
	blue/black	blue/white	
1 m	891-8982/106-101	891-8982/106-102	1
2 m	891-8982/106-201	891-8982/106-202	1
3 m	891-8982/106-301	891-8982/106-302	1
4 m	891-8982/106-401	891-8982/106-402	1
5 m	891-8982/106-501	891-8982/106-502	1
6 m	891-8982/106-601	891-8982/106-602	1
7 m	891-8982/106-701	891-8982/106-702	1
8 m	891-8982/106-801	891-8982/106-802	1



Connecting cable ▶ Plug - Free end ▶ Protection class: IP20; IP40 when mated			
Total length	Connector color/Strain relief color		PU
	blue/black	blue/white	
1 m	891-8982/206-101	891-8982/206-102	1
2 m	891-8982/206-201	891-8982/206-202	1
3 m	891-8982/206-301	891-8982/206-302	1
4 m	891-8982/206-401	891-8982/206-402	1
5 m	891-8982/206-501	891-8982/206-502	1
6 m	891-8982/206-601	891-8982/206-602	1
7 m	891-8982/206-701	891-8982/206-702	1
8 m	891-8982/206-801	891-8982/206-802	1

Accessories; for all products on this page



Locking lever; for flying leads; manually operated		
Color	Item No.	PU (SPU)
● black	890-101	100 (50)
○ white	890-121	100 (50)



Locking lever; for flying leads; tool operated		
Color	Item No.	PU (SPU)
● black	890-111	100 (50)
○ white	890-131	100 (50)



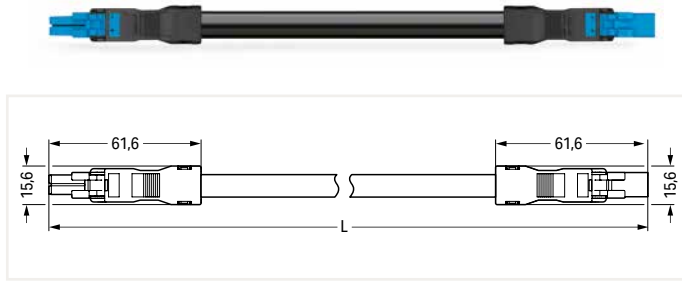
Mounting carrier; for flying leads; 2- to 5-pole		
Color	Item No.	PU
● black	890-310	100
○ white	890-311	100

PU = Packaging Unit; SPU = Subpackaging Unit; Dimensions in mm

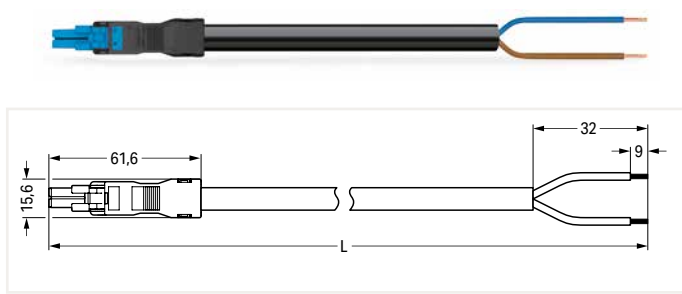
# Cable Assembly ▶ WINSTA® MINI ▶ 891 Series

Pole No.: 2 ▶ Fire class per EN 50575: E<sub>ca</sub> ▶ Coding: I ▶ 1.5 mm<sup>2</sup> ▶ Marking: + - ▶ Halogen-free ▶ Sheathed cable diameter: 6.8 ... 8.6 mm ▶ H05Z1Z1-F 2x1.5 ▶ DALI, Lighting Management

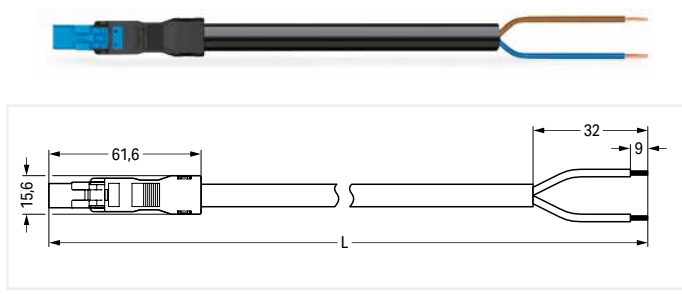
1



Interconnecting cable ▶ Socket - Plug ▶ Protection class: IP20; IP40 when mated			
Total length	Connector color/Strain relief color		PU
	blue/black	blue/white	
1 m	891-8982/016-101	891-8982/016-102	1
2 m	891-8982/016-201	891-8982/016-202	1
3 m	891-8982/016-301	891-8982/016-302	1
4 m	891-8982/016-401	891-8982/016-402	1
5 m	891-8982/016-501	891-8982/016-502	1
6 m	891-8982/016-601	891-8982/016-602	1
7 m	891-8982/016-701	891-8982/016-702	1
8 m	891-8982/016-801	891-8982/016-802	1



Connecting cable ▶ Socket - Free end ▶ Protection class: IP40			
Total length	Connector color/Strain relief color		PU
	blue/black	blue/white	
1 m	891-8982/116-101	891-8982/116-102	1
2 m	891-8982/116-201	891-8982/116-202	1
3 m	891-8982/116-301	891-8982/116-302	1
4 m	891-8982/116-401	891-8982/116-402	1
5 m	891-8982/116-501	891-8982/116-502	1
6 m	891-8982/116-601	891-8982/116-602	1
7 m	891-8982/116-701	891-8982/116-702	1
8 m	891-8982/116-801	891-8982/116-802	1



Connecting cable ▶ Plug - Free end ▶ Protection class: IP20; IP40 when mated			
Total length	Connector color/Strain relief color		PU
	blue/black	blue/white	
1 m	891-8982/216-101	891-8982/216-102	1
2 m	891-8982/216-201	891-8982/216-202	1
3 m	891-8982/216-301	891-8982/216-302	1
4 m	891-8982/216-401	891-8982/216-402	1
5 m	891-8982/216-501	891-8982/216-502	1
6 m	891-8982/216-601	891-8982/216-602	1
7 m	891-8982/216-701	891-8982/216-702	1
8 m	891-8982/216-801	891-8982/216-802	1

Accessories; for all products on this page



Locking lever; for flying leads; manually operated		
Color	Item No.	PU (SPU)
● black	890-101	100 (50)
○ white	890-121	100 (50)



Locking lever; for flying leads; tool operated		
Color	Item No.	PU (SPU)
● black	890-111	100 (50)
○ white	890-131	100 (50)



Mounting carrier; for flying leads; 2- to 5-pole		
Color	Item No.	PU
● black	890-310	100
○ white	890-311	100

PU = Packaging Unit; SPU = Subpackaging Unit; Dimensions in mm



## Pluggable Connector ▶ WINSTA® MINI ▶ 890 Series

Pole No.: 3

1



- Protected against mismatching and maintenance-free
- Push-in CAGE CLAMP® spring pressure connection technology allows solid conductors to be simply pushed into a unit
- Compact design with 4.4 mm pole spacing
- When assembled the installation connectors complies with IP40 and are suitable for easily accessible areas

### Electrical Data

Coding	A;B		
Ratings per	IEC/EN 60664-1		
Overvoltage category	III	III	II
Pollution degree	3	2	2
Rated voltage	250 V	-	-
Rated impulse voltage	4 kV	-	-
Rated current	16 A	-	-
Approbations per	UL 1977		
Rated voltage	600 V		
Rated current	14 A		

### Connection Data

Connection technology	Push-in CAGE CLAMP®
Strip length	9 mm / 0.35 inch
Nominal cross-section	1.5 mm <sup>2</sup>
Solid conductor	0.25 ... 1.5 mm <sup>2</sup> / 22 ... 16 AWG
Solid conductor; push-in termination	0.75 ... 1.5 mm <sup>2</sup> / 20 ... 16 AWG
Stranded conductor	0.25 ... 1 mm <sup>2</sup> / 22 ... 18 AWG
Fine-stranded conductor	0.25 ... 1.5 mm <sup>2</sup> / 22 ... 16 AWG
Fine-stranded conductor; with insulated ferrule	0.25 ... 0.75 mm <sup>2</sup> / 22 ... 20 AWG
Fine-stranded conductor; with uninsulated ferrule	0.25 ... 0.75 mm <sup>2</sup> / 22 ... 20 AWG
Fine-stranded conductor; with ferrule; push-in termination	0.75 mm <sup>2</sup> / 20 AWG

### Material Data

Insulation material	Polyamide (PA66)
Clamping spring material	Chrome nickel spring steel (CrNi)
Contact material	Copper or copper alloy (surface-treated)

### Mechanical Data

Number of mating cycles	200, without resistive load
Mating force of a plug-in connection	approx. 20 ... 70 N (depending on pole number)
Unmating force of a plug-in connection	Unlocked: approx. 20 ... 70 N (depending on pole number)
Retention force of a plug-in connection	Locked: > 80 N

### Environmental Requirements

Processing temperature	-5 ... +40 °C
Continuous operating temperature	-35 ... +85 °C
Note on continuous operating temperature	Insulating parts for temperatures ≤ 105 °C

All WINSTA® components are 100% protected against mismatching when:

- plugging different numbers of poles
- plugging while rotated 180
- plugging while laterally staggered
- plugging one pole

Shield termination [Page 375](#)

Tool [Page 400](#)

See technical section for further information

For approvals and corresponding ratings, visit [www.wago.com](http://www.wago.com)

# Pluggable Connector ▶ WINSTA® MINI ▶ 890 Series

## Pole No.: 3

Strain relief housing ▶ Female connector/socket ▶ Strip length (outer insulation): 40 mm ▶ Connectable sheathed cable diameter: 4.5 ... 10 mm ▶ Protection class: IP40

Strain relief housing ▶ Male connector/plug ▶ Strip length (outer insulation): 40 mm ▶ Connectable sheathed cable diameter: 4.5 ... 10 mm ▶ Protection class: IP40



890-103



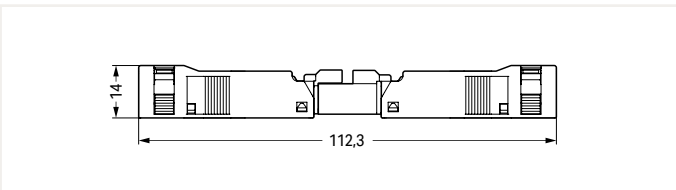
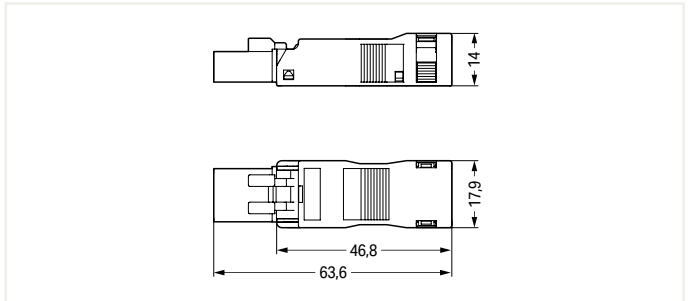
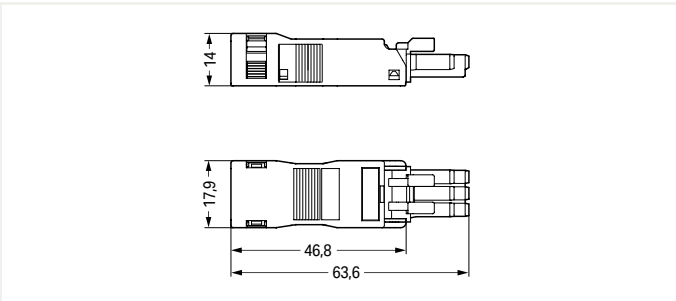
890-113

**General mains applications**

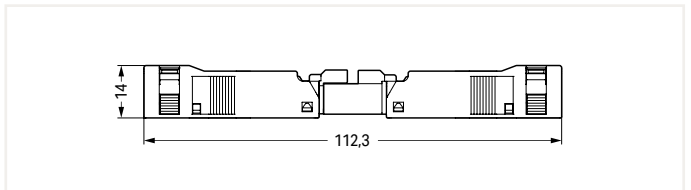
Color	Coding	Marking	Item No.	PU
● black	A	L ⊕ N	890-103	50
○ white	A	L ⊕ N	890-123	50

**General mains applications**

Color	Coding	Marking	Item No.	PU
● black	A	L ⊕ N	890-113	50
○ white	A	L ⊕ N	890-133	50



Overall length when mated



Overall length when mated

**Accessories; for all products on this page**



Locking lever; for flying leads; manually operated		
Color	Item No.	PU (SPU)
● black	890-101	100 (50)
○ white	890-121	100 (50)



Locking lever; for flying leads; tool operated		
Color	Item No.	PU (SPU)
● black	890-111	100 (50)
○ white	890-131	100 (50)



Mounting carrier; for flying leads; 2- to 5-pole		
Color	Item No.	PU
● black	890-310	100
○ white	890-311	100



Operating tool; for WAGO WINSTA® MINI Connectors; Pole No.: 3

Color	Item No.	PU
● green	890-383	1

PU = Packaging Unit; SPU = Subpackaging Unit; Dimensions in mm



# Pluggable Connector ▶ WINSTA® MINI ▶ 890 Series

## Pole No.: 3

Female connector/socket ▶ Protection class: IP20; IP40 with strain relief housing

Male connector/plug ▶ Protection class: IP20; IP40 when mated with strain relief housing



890-203



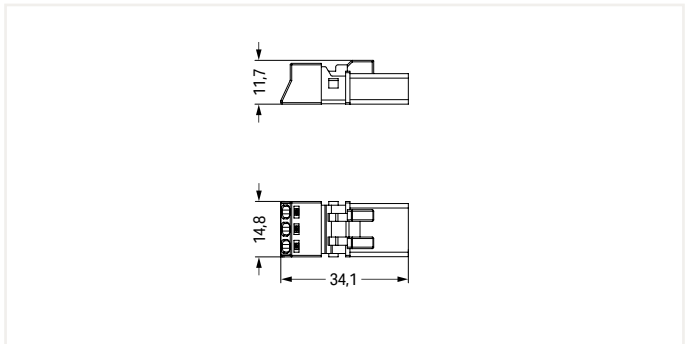
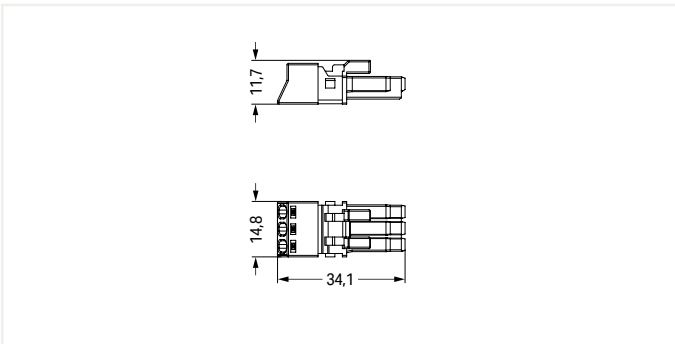
890-213

General mains applications				
Color	Coding	Marking	Item No.	PU
● black	A	L ⊕ N	890-203	50
○ white	A	L ⊕ N	890-223	50

General mains applications				
Color	Coding	Marking	Item No.	PU
● black	A	L ⊕ N	890-213	50
○ white	A	L ⊕ N	890-233	50

Measurement and regulation technology				
Color	Coding	Marking	Item No.	PU
● gray	B	1 2 3	890-243	50
● gray	B	L ⊕ N	890-243/060-000	50
● gray	B	2 ⊕ 1	890-243/062-000	50
● light green	B	1 2 3	890-263	50
● light green	B	U+ X/Y U-	890-263/071-000	50
● light green	B	1 ⊕ 2	890-263/073-000	50
● pink	B	1 2 3	890-283	50
● pink	B	1 2 5	890-283/081-000	50
● pink	B	+ S -	890-283/082-000	50

Measurement and regulation technology				
Color	Coding	Marking	Item No.	PU
● gray	B	1 2 3	890-253	50
● gray	B	L ⊕ N	890-253/060-000	50
● gray	B	2 ⊕ 1	890-253/062-000	50
● light green	B	1 2 3	890-273	50
● light green	B	U+ X/Y U-	890-273/071-000	50
● light green	B	1 ⊕ 2	890-273/073-000	50
● pink	B	1 2 3	890-293	50
● pink	B	1 2 5	890-293/081-000	50
● pink	B	+ S -	890-293/082-000	50



### Accessories; for all products on this page



Locking lever; for flying leads; manually operated		
Color	Item No.	PU (SPU)
● black	890-101	100 (50)
○ white	890-121	100 (50)



Locking lever; for flying leads; tool operated		
Color	Item No.	PU (SPU)
● black	890-111	100 (50)
○ white	890-131	100 (50)



Mounting carrier; for flying leads; 2- to 5-pole		
Color	Item No.	PU
● black	890-310	100
○ white	890-311	100



Operating tool; for WAGO WINSTA® MINI Connectors; Pole No.: 3		
Color	Item No.	PU
● green	890-383	1



Strain relief housing; Connectable sheathed cable diameter: 4.5 ... 10 mm; Strip length (outer insulation): 40 mm		
Color	Item No.	PU
● black	890-503	50
○ white	890-513	50

PU = Packaging Unit; SPU = Subpackaging Unit; Dimensions in mm



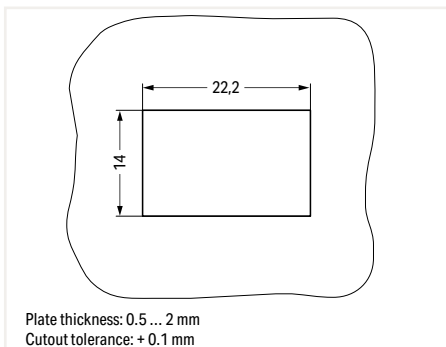
## Snap-in Device Connector ▶ WINSTA® MINI ▶ 890 Series

Pole No.: 3

1



- Protected against mismatching and maintenance-free
- Push-in CAGE CLAMP® spring pressure connection technology allows solid conductors to be simply pushed into a unit.
- Low profile with 4.4 mm pole spacing
- When assembled, the installation connectors comply with IP40 and are suitable for easily accessible areas.



Electrical Data			
Coding	A;B		
Ratings per	IEC/EN 60664-1		
Overvoltage category	III	III	II
Pollution degree	3	2	2
Rated voltage	250 V	-	-
Rated impulse voltage	4 kV	-	-
Rated current	16 A	-	-
Approbations per	UL 1977		
Rated voltage	600 V		
Rated current	14 A		

Connection Data	
Connection technology	Push-in CAGE CLAMP®
Strip length	9 mm / 0.35 inch
Nominal cross-section	1.5 mm <sup>2</sup>
Solid conductor	0.25 ... 1.5 mm <sup>2</sup> / 22 ... 16 AWG
Solid conductor; push-in termination	0.75 ... 1.5 mm <sup>2</sup> / 20 ... 16 AWG
Stranded conductor	0.25 ... 1 mm <sup>2</sup> / 22 ... 18 AWG
Fine-stranded conductor	0.25 ... 1.5 mm <sup>2</sup> / 22 ... 16 AWG
Fine-stranded conductor; with insulated ferrule	0.25 ... 0.75 mm <sup>2</sup> / 22 ... 20 AWG
Fine-stranded conductor; with uninsulated ferrule	0.25 ... 0.75 mm <sup>2</sup> / 22 ... 20 AWG
Fine-stranded conductor; with ferrule; push-in termination	0.75 mm <sup>2</sup> / 20 AWG

Material Data	
Insulation material	Polyamide (PA66)
Clamping spring material	Chrome nickel spring steel (CrNi)
Contact material	Copper or copper alloy (surface-treated)

Mechanical Data	
Number of mating cycles	200, without resistive load
Mating force of a plug-in connection	approx. 20 ... 70 N (depending on pole number)
Unmating force of a plug-in connection	Unlocked: approx. 20 ... 70 N (depending on pole number)
Retention force of a plug-in connection	Locked: > 80 N

Environmental Requirements	
Processing temperature	-5 ... +40 °C
Continuous operating temperature	-35 ... +85 °C
Note on continuous operating temperature	Insulating parts for temperatures ≤ 105 °C

All WINSTA® components are 100% protected against mismatching when:

- a.) plugging different numbers of poles
- b.) plugging while rotated 180
- c.) plugging while laterally staggered
- d.) plugging one pole

Tool Page 400

See technical section for further information

For approvals and corresponding ratings, visit [www.wago.com](http://www.wago.com)

# Snap-in Device Connector ▶ WINSTA® MINI ▶ 890 Series

## Pole No.: 3

Female connector/socket ▶ Protection class: IP40

Male connector/plug ▶ Protection class: IP20; IP40 when mated



890-703



890-713

**General mains applications**

Color	Coding	Marking	Item No.	PU (SPU)
● black	A	L ⊕ N	890-703	50 (50)
○ white	A	L ⊕ N	890-723	50 (50)

**General mains applications**

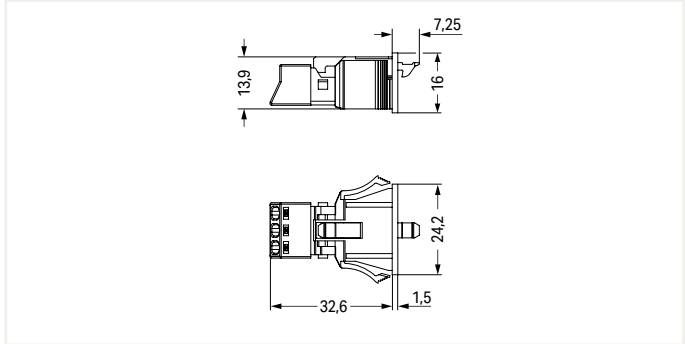
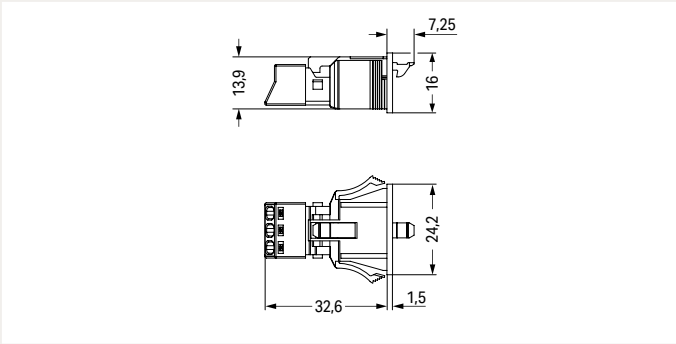
Color	Coding	Marking	Item No.	PU (SPU)
● black	A	L ⊕ N	890-713	50 (50)
○ white	A	L ⊕ N	890-733	50 (50)

**Measurement and regulation technology**

Color	Coding	Marking	Item No.	PU (SPU)
● gray	B	1 2 3	890-743	50 (50)
● gray	B	L ⊕ N	890-743/060-000	50 (50)
● gray	B	2 ⊕ 1	890-743/062-000	50 (50)
● light green	B	1 2 3	890-763	50 (50)
● light green	B	U+ X/Y U-	890-763/071-000	50 (50)
● light green	B	1 ⊕ 2	890-763/073-000	50 (50)
● pink	B	1 2 3	890-783	50 (50)
● pink	B	1 2 5	890-783/081-000	50 (50)
● pink	B	+ S -	890-783/082-000	50 (50)

**Measurement and regulation technology**

Color	Coding	Marking	Item No.	PU (SPU)
● gray	B	1 2 3	890-753	50 (50)
● gray	B	L ⊕ N	890-753/060-000	50 (50)
● gray	B	2 ⊕ 1	890-753/062-000	50 (50)
● light green	B	1 2 3	890-773	50 (50)
● light green	B	U+ X/Y U-	890-773/071-000	50 (50)
● light green	B	1 ⊕ 2	890-773/073-000	50 (50)
● pink	B	1 2 3	890-793	50 (50)
● pink	B	1 2 5	890-793/081-000	50 (50)
● pink	B	+ S -	890-793/082-000	50 (50)



**Accessories; for all products on this page**



Operating tool; for WAGO WINSTA® MINI Connectors;  
Pole No.: 3

Color	Item No.	PU
● green	890-383	1



Lockout cap; for cutout; Pole No.: 3

Color	Item No.	PU
● black	890-643	100
○ white	890-693	100

PU = Packaging Unit; SPU = Subpackaging Unit; Dimensions in mm

## Pluggable PCB Connector ▶ WINSTA® MINI ▶ 890 Series

Pole No.: 3

1



- Protected against mismatching and maintenance-free
- Push-in CAGE CLAMP® spring pressure connection technology allows solid conductors to be simply pushed into a unit.
- Low profile with 4.4 mm pole spacing

### Electrical Data

Coding	A;B		
Ratings per	IEC/EN 60664-1		
Overvoltage category	III	III	II
Pollution degree	3	2	2
Rated voltage	250 V	-	-
Rated impulse voltage	4 kV	-	-
Rated current	16 A	-	-
Approbations per	UL 1977		
Rated voltage	600 V		
Rated current	14 A		

### Material Data

Insulation material	Polyamide (PA66)
Clamping spring material	Chrome nickel spring steel (CrNi)
Contact material	Copper or copper alloy (surface-treated)

### Mechanical Data

Solder pin arrangement	2 in-line solder pins/pole
Solder pin length	3.5 mm
Solder pin dimensions	1 x 0.8 mm
Drilled hole diameter with tolerance	1.3 <sup>(+0.1)</sup> mm
Mating force of a plug-in connection	approx. 20 ... 70 N (depending on pole number)
Unmating force of a plug-in connection	Unlocked: approx. 20 ... 70 N (depending on pole number)
Retention force of a plug-in connection	Locked: > 80 N

### Environmental Requirements

Processing temperature	-5 ... +40 °C
Continuous operating temperature	-35 ... +85 °C
Note on continuous operating temperature	Insulating parts for temperatures ≤ 105 °C

All WINSTA® components are 100% protected against mismatching when:

- plugging different numbers of poles
- plugging while rotated 180
- plugging while laterally staggered
- plugging one pole

See technical section for further information

For approvals and corresponding ratings, visit [www.wago.com](http://www.wago.com)

# Pluggable PCB Connector ▶ WINSTA® MINI ▶ 890 Series

## Pole No.: 3

straight ▶ Female connector/socket

straight ▶ Male connector/plug



890-803

890-813

**General mains applications**

Color	Coding	Marking	Item No.	PU
● black	A	L ⊕ N	890-803	100
○ white	A	L ⊕ N	890-823	100

**General mains applications**

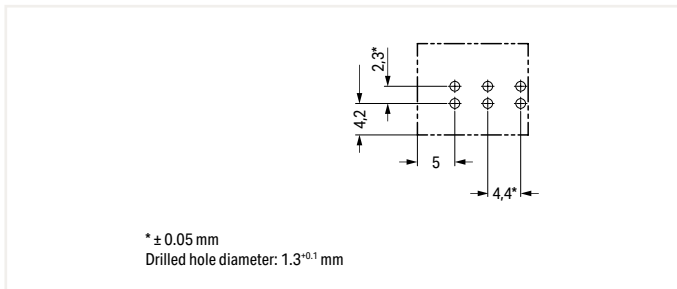
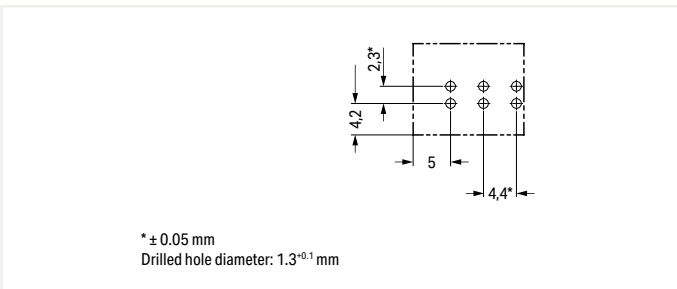
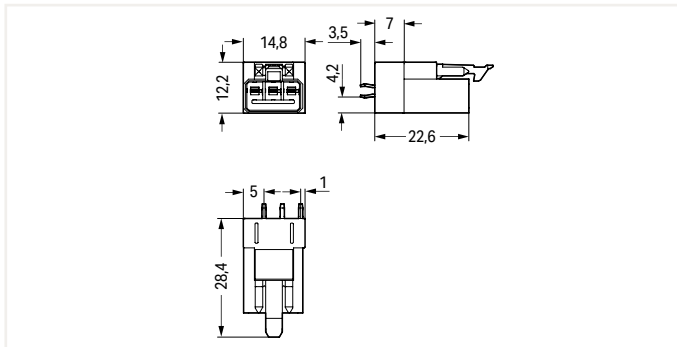
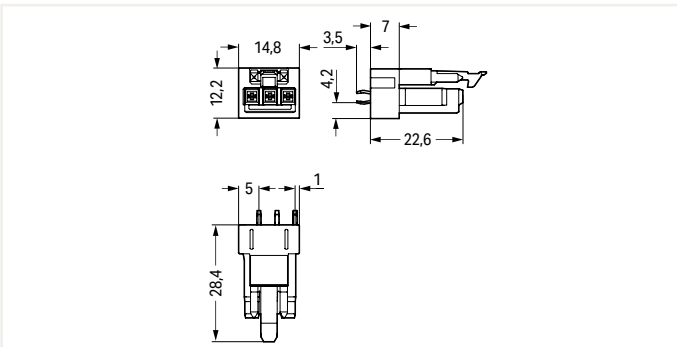
Color	Coding	Marking	Item No.	PU
● black	A	L ⊕ N	890-813	100
○ white	A	L ⊕ N	890-833	100

**Measurement and regulation technology**

Color	Coding	Marking	Item No.	PU
● gray	B	1 2 3	890-843	100
● light green	B	1 2 3	890-863	100
● pink	B	1 2 3	890-883	100

**Measurement and regulation technology**

Color	Coding	Marking	Item No.	PU
● gray	B	1 2 3	890-853	100
● light green	B	1 2 3	890-873	100
● pink	B	1 2 3	890-893	100



# Pluggable PCB Connector ▶ WINSTA® MINI ▶ 890 Series

## Pole No.: 3

angled ▶ Female connector/socket

angled ▶ Male connector/plug

1



890-803/011-000

890-813/011-000

**General mains applications**

Color	Coding	Marking	Item No.	PU
● black	A	L ⊕ N	890-803/011-000	100
○ white	A	L ⊕ N	890-823/011-000	100

**General mains applications**

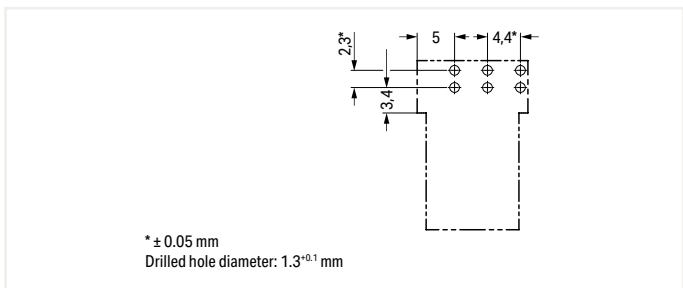
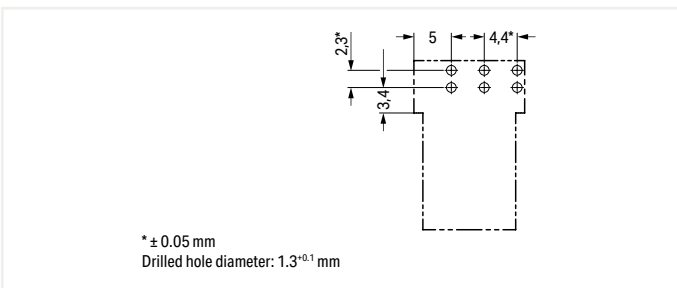
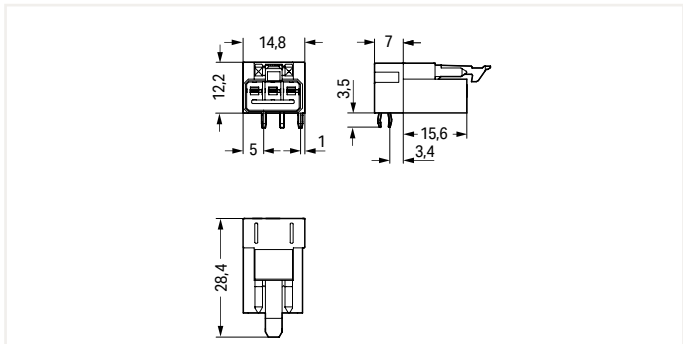
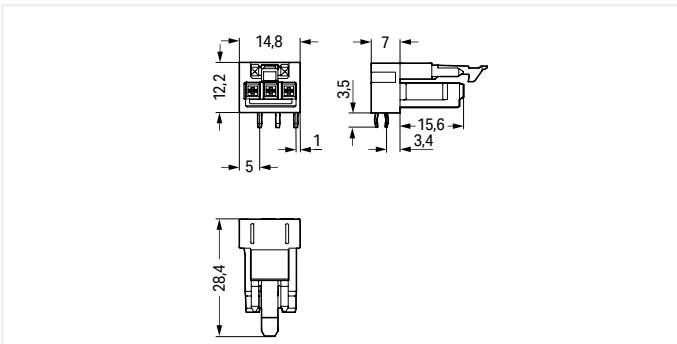
Color	Coding	Marking	Item No.	PU
● black	A	L ⊕ N	890-813/011-000	100
○ white	A	L ⊕ N	890-833/011-000	100

**Measurement and regulation technology**

Color	Coding	Marking	Item No.	PU
● gray	B	1 2 3	890-843/011-000	100
● light green	B	1 2 3	890-863/011-000	100
● pink	B	1 2 3	890-883/011-000	100

**Measurement and regulation technology**

Color	Coding	Marking	Item No.	PU
● gray	B	1 2 3	890-853/011-000	100
● light green	B	1 2 3	890-873/011-000	100
● pink	B	1 2 3	890-893/011-000	100







## Distribution Connector ▶ WINSTA® MINI ▶ 890 Series

### Pole No.: 3 ▶ Protection class: IP20; IP40 when mated

1



- Protected against mismatching and maintenance-free
- Low profile with 4.4 mm pole spacing

Electrical Data			
Coding	A;B		
Ratings per	IEC/EN 60664-1		
Overvoltage category	III	III	II
Pollution degree	3	2	2
Rated voltage	250 V	-	-
Rated impulse voltage	4 kV	-	-
Rated current	16 A	-	-
Approbations per	UL 1977		
Rated voltage	600 V		
Rated current	14 A		
Material Data			
Insulation material	Polyamide (PA66)		
Contact material	Copper or copper alloy (surface-treated)		
Mechanical Data			
Number of mating cycles	200, without resistive load		
Mating force of a plug-in connection	Approx. 20 ... 70 N (depending on pole number)		
Unmating force of a plug-in connection	Unlocked: approx. 20 ... 70 N (depending on pole number)		
Retention force of a plug-in connection	When locked: > 80 N		
Protection type	IP20		
Note on protection type	IP40 when mated		
Environmental Requirements			
Processing temperature	-5 ... +40 °C		
Continuous operating temperature	-35 ... +85 °C		
Note on continuous operating temperature	Insulating parts for temperatures ≤ 105 °C		

All WINSTA® components are 100% protected against mismatching when:

- plugging different numbers of poles
- plugging while rotated 180
- plugging while laterally staggered
- plugging one pole

At least one snap-in connector **without** a locking lever is required on one side when connecting two lights directly via intermediate coupler.

See technical section for further information

For approvals and corresponding ratings, visit [www.wago.com](http://www.wago.com)

## Distribution Connector ▶ WINSTA® MINI ▶ 890 Series

Pole No.: 3 ▶ Protection class: IP20; IP40 when mated

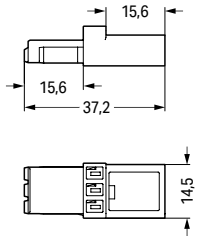
Intermediate coupler



890-603

### General mains applications

Color	Coding	com_Aufdruck	Item No.	PU
● black	A		890-603	50
○ white	A		890-653	50



PU = Packaging Unit; SPU = Subpackaging Unit; Dimensions in mm

# Distribution Connector ▶ WINSTA® MINI ▶ 890 Series

Pole No.: 3 ▶ Protection class: IP20; IP40 when mated

T-distribution connector ▶ Number of locking levers: 2

T-distribution connector ▶ Number of locking levers: 3 ▶ for flying leads

1



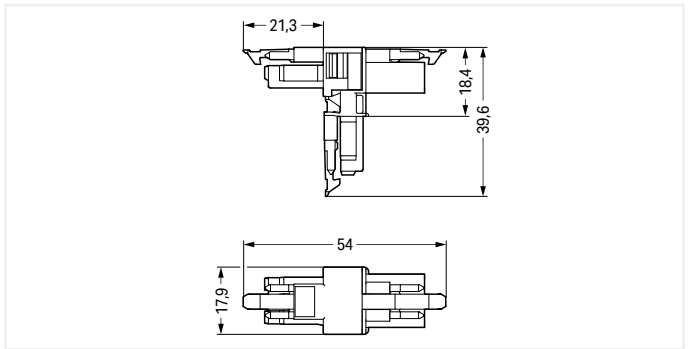
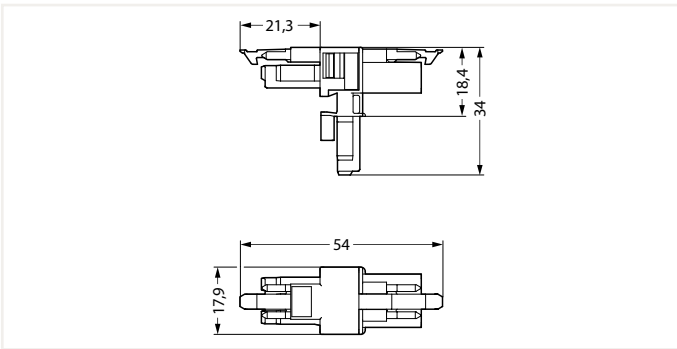
890-606



890-606

General mains applications				
Color	Coding	Marking	Item No.	PU
● black	A	L ⊕ N	890-606	25
○ white	A	L ⊕ N	890-656	25

General mains applications				
Color	Coding	Marking	Item No.	PU
● black	A	L ⊕ N	890-615	25
○ white	A	L ⊕ N	890-665	25



# Distribution Connector ▶ WINSTA® MINI ▶ 890 Series

Pole No.: 3 ▶ Protection class: IP20; IP40 when mated

h-distribution connector (unidirectional) ▶ Number of locking levers: 2

h-distribution connector (unidirectional) ▶ Number of locking levers: 3 ▶ for flying leads



890-634



890-634

**General mains applications**

Color	Coding	Marking	Item No.	PU
● black	A	L ⊕ N	890-634	50
○ white	A	L ⊕ N	890-684	50

**Measurement and regulation technology**

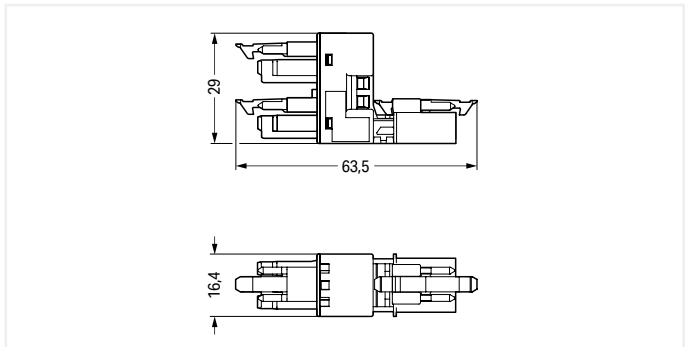
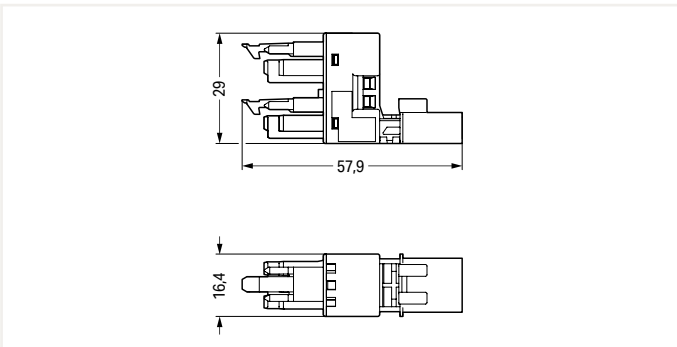
Color	Coding	Marking	Item No.	PU
● gray	B	1 2 3	890-1661	50
● light green	B	1 2 3	890-1662	50
● pink	B	1 2 3	890-1663	50

**General mains applications**

Color	Coding	Marking	Item No.	PU
● black	A	L ⊕ N	890-636	50
○ white	A	L ⊕ N	890-686	50

**Measurement and regulation technology**

Color	Coding	Marking	Item No.	PU
● gray	B	1 2 3	890-1761	50
● light green	B	1 2 3	890-1762	50
● pink	B	1 2 3	890-1763	50



**Accessories; for all products on this page**



Mounting plate; for distribution connectors (except T-distribution connectors); 3-pole

Color	Item No.	PU
● black	890-623	50
○ white	890-673	50

PU = Packaging Unit; SPU = Subpackaging Unit; Dimensions in mm

## Cable Assembly ▶ WINSTA® MINI ▶ 891 Series

Pole No.: 3 ▶ Fire class per EN 50575: E<sub>ca</sub>

1



- Protected against mismatching and maintenance-free
- Low profile with 4.4 mm pole spacing

Electrical Data						
Coding	A;B			A;B		
Ratings per	IEC/EN 60664-1			IEC/EN 60664-1		
Overvoltage category	III	III	II	III	III	II
Pollution degree	3	2	2	3	2	2
Rated voltage	250 V	-	-	250 V	-	-
Rated impulse voltage	4 kV	-	-	4 kV	-	-
Rated current	10 A	-	-	16 A	-	-

Material Data	
Insulation material	Polyamide (PA66)
Contact material	Copper or copper alloy (surface-treated)
Fire class per EN 50575	E <sub>ca</sub>

Mechanical Data	
Number of mating cycles	200, without resistive load
Mating force of a plug-in connection	approx. 20 ... 70 N (depending on pole number)
Unmating force of a plug-in connection	when unlocked: approx. 20 ... 70 N (depending on pole number)
Retention force of a plug-in connection	when locked: > 80N

Environmental Requirements	
Processing temperature	-5 ... +40 °C
Continuous operating temperature	-35 ... +85 °C
Note on continuous operating temperature	PVC cable for temperatures ≤ 70 °C (including halogen-free) Insulating parts for temperatures ≤ 105 °C

All WINSTA® components are 100% protected against mismatching when:

- a.) plugging different numbers of poles
- b.) plugging while rotated 180
- c.) plugging while laterally staggered
- d.) plugging one pole

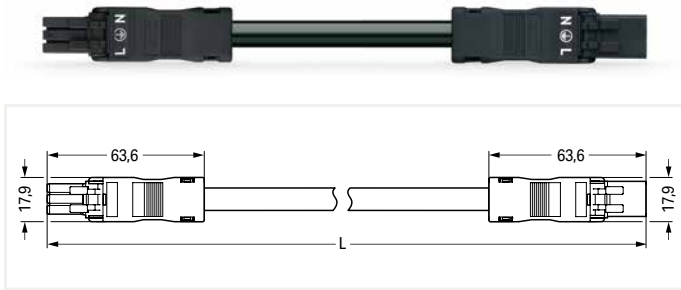
Cables with a different fire class can be found in the eShop.

See technical section for further information

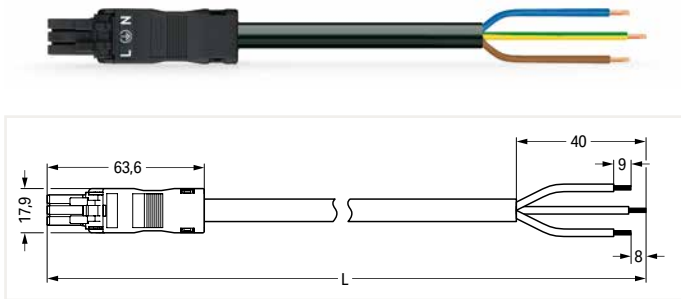
For approvals and corresponding ratings, visit [www.wago.com](http://www.wago.com)

### Cable Assembly ▶ WINSTA® MINI ▶ 891 Series

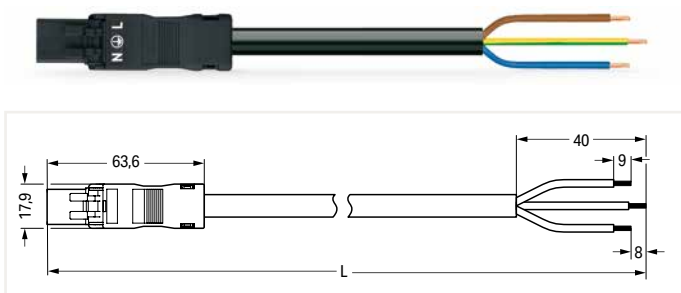
Pole No.: 3 ▶ Fire class per EN 50575: E<sub>ca</sub> ▶ Coding: A ▶ 1 mm<sup>2</sup> ▶ Marking: L ⊕ N ▶ PVC ▶ Sheathed cable diameter: 6.3 ... 8 mm ▶ H05VV-F 3G1 ▶ General mains applications



Interconnecting cable ▶ Socket - Plug ▶ Protection class: IP20; IP40 when mated			
Total length	Connector color/Strain relief color		PU
	black/black	white/white	
1 m	891-8993/005-101	891-8993/005-102	1
2 m	891-8993/005-201	891-8993/005-202	1
3 m	891-8993/005-301	891-8993/005-302	1
4 m	891-8993/005-401	891-8993/005-402	1
5 m	891-8993/005-501	891-8993/005-502	1
6 m	891-8993/005-601	891-8993/005-602	1
7 m	891-8993/005-701	891-8993/005-702	1
8 m	891-8993/005-801	891-8993/005-802	1



Connecting cable ▶ Socket - Free end ▶ Protection class: IP40			
Total length	Connector color/Strain relief color		PU
	black/black	white/white	
1 m	891-8993/105-101	891-8993/105-102	1
2 m	891-8993/105-201	891-8993/105-202	1
3 m	891-8993/105-301	891-8993/105-302	1
4 m	891-8993/105-401	891-8993/105-402	1
5 m	891-8993/105-501	891-8993/105-502	1
6 m	891-8993/105-601	891-8993/105-602	1
7 m	891-8993/105-701	891-8993/105-702	1
8 m	891-8993/105-801	891-8993/105-802	1



Connecting cable ▶ Plug - Free end ▶ Protection class: IP20; IP40 when mated			
Total length	Connector color/Strain relief color		PU
	black/black	white/white	
1 m	891-8993/205-101	891-8993/205-102	1
2 m	891-8993/205-201	891-8993/205-202	1
3 m	891-8993/205-301	891-8993/205-302	1
4 m	891-8993/205-401	891-8993/205-402	1
5 m	891-8993/205-501	891-8993/205-502	1
6 m	891-8993/205-601	891-8993/205-602	1
7 m	891-8993/205-701	891-8993/205-702	1
8 m	891-8993/205-801	891-8993/205-802	1

Accessories; for all products on this page



Locking lever; for flying leads; manually operated		
Color	Item No.	PU (SPU)
● black	890-101	100 (50)
○ white	890-121	100 (50)



Locking lever; for flying leads; tool operated		
Color	Item No.	PU (SPU)
● black	890-111	100 (50)
○ white	890-131	100 (50)



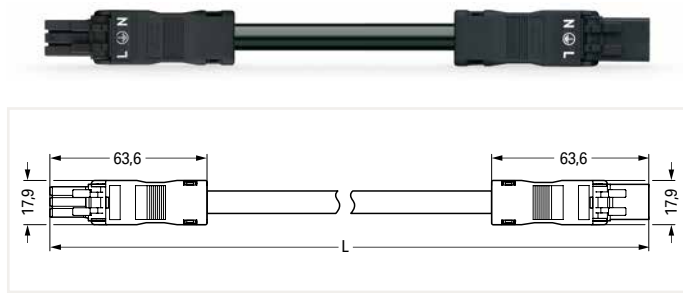
Mounting carrier; for flying leads; 2- to 5-pole		
Color	Item No.	PU
● black	890-310	100
○ white	890-311	100

PU = Packaging Unit; SPU = Subpackaging Unit; Dimensions in mm

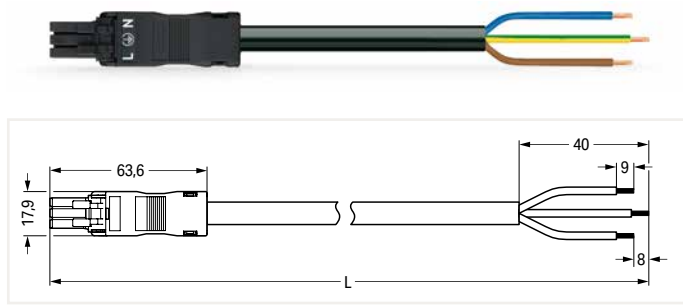
# Cable Assembly ▶ WINSTA® MINI ▶ 891 Series

Pole No.: 3 ▶ Fire class per EN 50575: E<sub>ca</sub> ▶ Coding: A ▶ 1 mm<sup>2</sup> ▶ Marking: L ⊕ N ▶ Halogen-free ▶ Sheathed cable diameter: 6.3 ... 8 mm ▶ H05Z1Z1-F 3G1 ▶ General mains applications

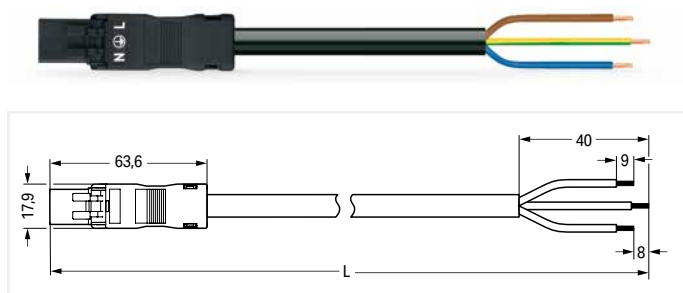
1



Interconnecting cable ▶ Socket - Plug ▶ Protection class: IP20; IP40 when mated			
Total length	Connector color/Strain relief color		PU
	black/black	white/white	
1 m	891-8993/015-101	891-8993/015-102	1
2 m	891-8993/015-201	891-8993/015-202	1
3 m	891-8993/015-301	891-8993/015-302	1
4 m	891-8993/015-401	891-8993/015-402	1
5 m	891-8993/015-501	891-8993/015-502	1
6 m	891-8993/015-601	891-8993/015-602	1
7 m	891-8993/015-701	891-8993/015-702	1
8 m	891-8993/015-801	891-8993/015-802	1



Connecting cable ▶ Socket - Free end ▶ Protection class: IP40			
Total length	Connector color/Strain relief color		PU
	black/black	white/white	
1 m	891-8993/115-101	891-8993/115-102	1
2 m	891-8993/115-201	891-8993/115-202	1
3 m	891-8993/115-301	891-8993/115-302	1
4 m	891-8993/115-401	891-8993/115-402	1
5 m	891-8993/115-501	891-8993/115-502	1
6 m	891-8993/115-601	891-8993/115-602	1
7 m	891-8993/115-701	891-8993/115-702	1
8 m	891-8993/115-801	891-8993/115-802	1



Connecting cable ▶ Plug - Free end ▶ Protection class: IP20; IP40 when mated			
Total length	Connector color/Strain relief color		PU
	black/black	white/white	
1 m	891-8993/215-101	891-8993/215-102	1
2 m	891-8993/215-201	891-8993/215-202	1
3 m	891-8993/215-301	891-8993/215-302	1
4 m	891-8993/215-401	891-8993/215-402	1
5 m	891-8993/215-501	891-8993/215-502	1
6 m	891-8993/215-601	891-8993/215-602	1
7 m	891-8993/215-701	891-8993/215-702	1
8 m	891-8993/215-801	891-8993/215-802	1

Accessories; for all products on this page



Locking lever; for flying leads; manually operated		
Color	Item No.	PU (SPU)
● black	890-101	100 (50)
○ white	890-121	100 (50)

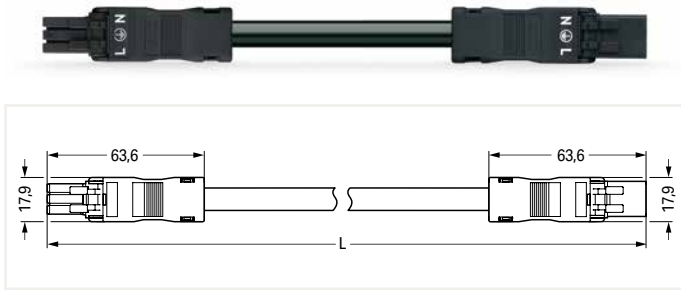
Locking lever; for flying leads; tool operated		
Color	Item No.	PU (SPU)
● black	890-111	100 (50)
○ white	890-131	100 (50)

Mounting carrier; for flying leads; 2- to 5-pole		
Color	Item No.	PU
● black	890-310	100
○ white	890-311	100

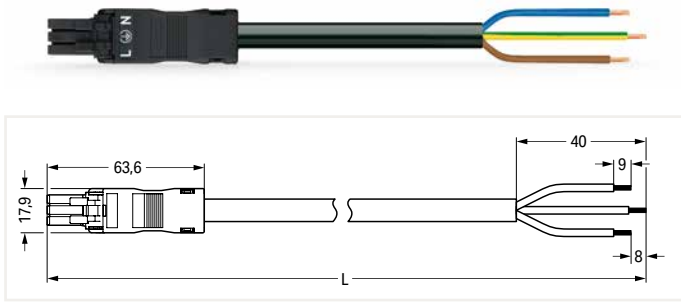
PU = Packaging Unit; SPU = Subpackaging Unit; Dimensions in mm

### Cable Assembly ▶ WINSTA® MINI ▶ 891 Series

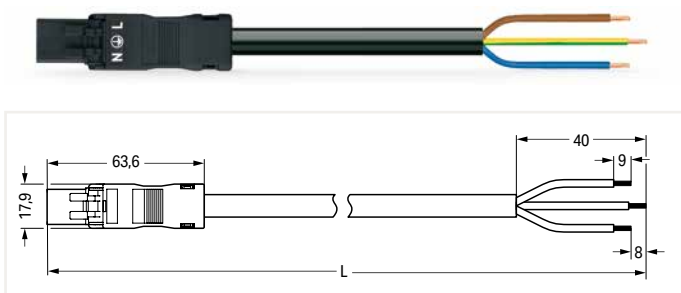
Pole No.: 3 ▶ Fire class per EN 50575: E<sub>ca</sub> ▶ Coding: A ▶ 1.5 mm<sup>2</sup> ▶ Marking: L ⊕ N ▶ PVC ▶ Sheathed cable diameter: 7.4 ... 9.4 mm ▶ H05VV-F 3G1.5 ▶ General mains applications



Interconnecting cable ▶ Socket - Plug ▶ Protection class: IP20; IP40 when mated			
Total length	Connector color/Strain relief color		PU
	black/black	white/white	
1 m	891-8993/006-101	891-8993/006-102	1
2 m	891-8993/006-201	891-8993/006-202	1
3 m	891-8993/006-301	891-8993/006-302	1
4 m	891-8993/006-401	891-8993/006-402	1
5 m	891-8993/006-501	891-8993/006-502	1
6 m	891-8993/006-601	891-8993/006-602	1
7 m	891-8993/006-701	891-8993/006-702	1
8 m	891-8993/006-801	891-8993/006-802	1



Connecting cable ▶ Socket - Free end ▶ Protection class: IP40			
Total length	Connector color/Strain relief color		PU
	black/black	white/white	
1 m	891-8993/106-101	891-8993/106-102	1
2 m	891-8993/106-201	891-8993/106-202	1
3 m	891-8993/106-301	891-8993/106-302	1
4 m	891-8993/106-401	891-8993/106-402	1
5 m	891-8993/106-501	891-8993/106-502	1
6 m	891-8993/106-601	891-8993/106-602	1
7 m	891-8993/106-701	891-8993/106-702	1
8 m	891-8993/106-801	891-8993/106-802	1



Connecting cable ▶ Plug - Free end ▶ Protection class: IP20; IP40 when mated			
Total length	Connector color/Strain relief color		PU
	black/black	white/white	
1 m	891-8993/206-101	891-8993/206-102	1
2 m	891-8993/206-201	891-8993/206-202	1
3 m	891-8993/206-301	891-8993/206-302	1
4 m	891-8993/206-401	891-8993/206-402	1
5 m	891-8993/206-501	891-8993/206-502	1
6 m	891-8993/206-601	891-8993/206-602	1
7 m	891-8993/206-701	891-8993/206-702	1
8 m	891-8993/206-801	891-8993/206-802	1

Accessories; for all products on this page



Locking lever; for flying leads; manually operated		
Color	Item No.	PU (SPU)
● black	890-101	100 (50)
○ white	890-121	100 (50)



Locking lever; for flying leads; tool operated		
Color	Item No.	PU (SPU)
● black	890-111	100 (50)
○ white	890-131	100 (50)



Mounting carrier; for flying leads; 2- to 5-pole		
Color	Item No.	PU
● black	890-310	100
○ white	890-311	100

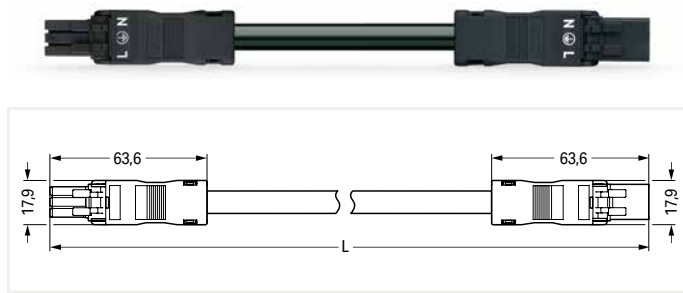
PU = Packaging Unit; SPU = Subpackaging Unit; Dimensions in mm



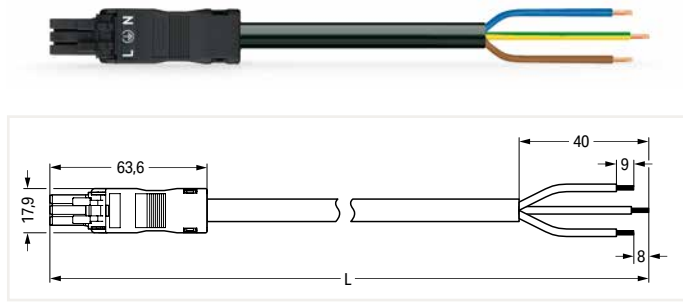
# Cable Assembly ▶ WINSTA® MINI ▶ 891 Series

Pole No.: 3 ▶ Fire class per EN 50575: E<sub>ca</sub> ▶ Coding: A ▶ 1.5 mm<sup>2</sup> ▶ Marking: L ⊕ N ▶ Halogen-free ▶ Sheathed cable diameter: 7.4 ... 9.4 mm ▶ H05Z1Z1-F 3G1.5 ▶ General mains applications

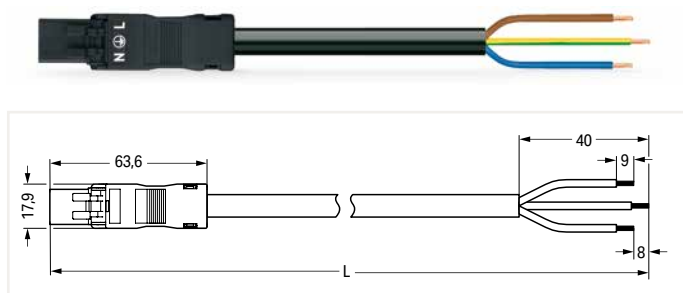
1



Interconnecting cable ▶ Socket - Plug ▶ Protection class: IP20; IP40 when mated			
Total length	Connector color/Strain relief color		PU
	black/black	white/white	
1 m	891-8993/016-101	891-8993/016-102	1
2 m	891-8993/016-201	891-8993/016-202	1
3 m	891-8993/016-301	891-8993/016-302	1
4 m	891-8993/016-401	891-8993/016-402	1
5 m	891-8993/016-501	891-8993/016-502	1
6 m	891-8993/016-601	891-8993/016-602	1
7 m	891-8993/016-701	891-8993/016-702	1
8 m	891-8993/016-801	891-8993/016-802	1



Connecting cable ▶ Socket - Free end ▶ Protection class: IP40			
Total length	Connector color/Strain relief color		PU
	black/black	white/white	
1 m	891-8993/116-101	891-8993/116-102	1
2 m	891-8993/116-201	891-8993/116-202	1
3 m	891-8993/116-301	891-8993/116-302	1
4 m	891-8993/116-401	891-8993/116-402	1
5 m	891-8993/116-501	891-8993/116-502	1
6 m	891-8993/116-601	891-8993/116-602	1
7 m	891-8993/116-701	891-8993/116-702	1
8 m	891-8993/116-801	891-8993/116-802	1



Connecting cable ▶ Plug - Free end ▶ Protection class: IP20; IP40 when mated			
Total length	Connector color/Strain relief color		PU
	black/black	white/white	
1 m	891-8993/216-101	891-8993/216-102	1
2 m	891-8993/216-201	891-8993/216-202	1
3 m	891-8993/216-301	891-8993/216-302	1
4 m	891-8993/216-401	891-8993/216-402	1
5 m	891-8993/216-501	891-8993/216-502	1
6 m	891-8993/216-601	891-8993/216-602	1
7 m	891-8993/216-701	891-8993/216-702	1
8 m	891-8993/216-801	891-8993/216-802	1

Accessories; for all products on this page



Locking lever; for flying leads; manually operated		
Color	Item No.	PU (SPU)
● black	890-101	100 (50)
○ white	890-121	100 (50)

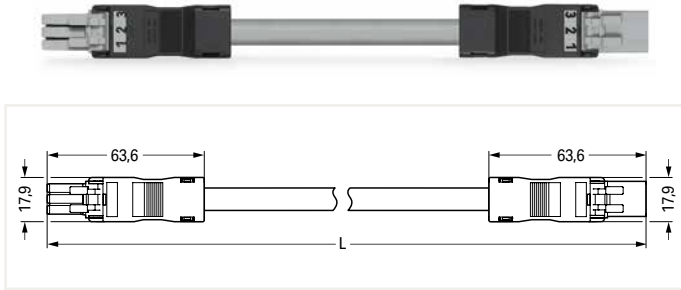
Locking lever; for flying leads; tool operated		
Color	Item No.	PU (SPU)
● black	890-111	100 (50)
○ white	890-131	100 (50)

Mounting carrier; for flying leads; 2- to 5-pole		
Color	Item No.	PU
● black	890-310	100
○ white	890-311	100

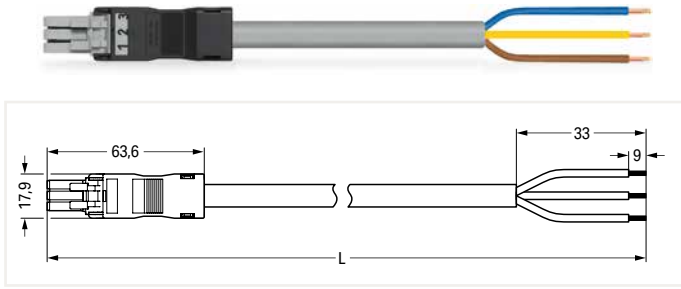
PU = Packaging Unit; SPU = Subpackaging Unit; Dimensions in mm

### Cable Assembly ▶ WINSTA® MINI ▶ 891 Series

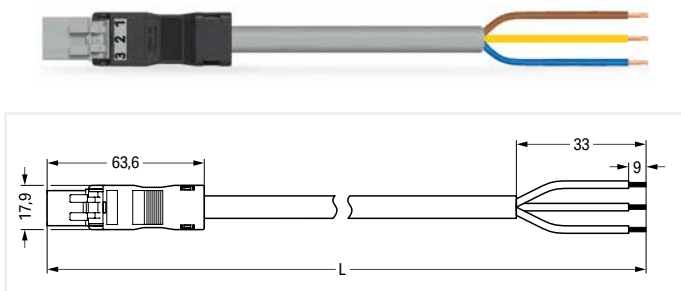
Pole No.: 3 ▶ Fire class per EN 50575: E<sub>ca</sub> ▶ Coding: B ▶ 1 mm<sup>2</sup> ▶ Marking: 1 2 3 ▶ PVC ▶ Sheathed cable diameter: 6.3 ... 8 mm ▶ Control line 3 x 1 ▶ Measurement and regulation technology



Interconnecting cable ▶ Socket - Plug ▶ Protection class: IP20; IP40 when mated				
Total length	Connector color/Strain relief color			PU
	gray/black	light green/black	pink/black	
1 m	891-8993/005-103	891-8993/005-105	891-8993/005-107	1
2 m	891-8993/005-203	891-8993/005-205	891-8993/005-207	1
3 m	891-8993/005-303	891-8993/005-305	891-8993/005-307	1
4 m	891-8993/005-403	891-8993/005-405	891-8993/005-407	1
5 m	891-8993/005-503	891-8993/005-505	891-8993/005-507	1
6 m	891-8993/005-603	891-8993/005-605	891-8993/005-607	1
7 m	891-8993/005-703	891-8993/005-705	891-8993/005-707	1
8 m	891-8993/005-803	891-8993/005-805	891-8993/005-807	1



Connecting cable ▶ Socket - Free end ▶ Protection class: IP40				
Total length	Connector color/Strain relief color			PU
	gray/black	light green/black	pink/black	
1 m	891-8993/105-103	891-8993/105-105	891-8993/105-107	1
2 m	891-8993/105-203	891-8993/105-205	891-8993/105-207	1
3 m	891-8993/105-303	891-8993/105-305	891-8993/105-307	1
4 m	891-8993/105-403	891-8993/105-405	891-8993/105-407	1
5 m	891-8993/105-503	891-8993/105-505	891-8993/105-507	1
6 m	891-8993/105-603	891-8993/105-605	891-8993/105-607	1
7 m	891-8993/105-703	891-8993/105-705	891-8993/105-707	1
8 m	891-8993/105-803	891-8993/105-805	891-8993/105-807	1



Connecting cable ▶ Plug - Free end ▶ Protection class: IP20; IP40 when mated				
Total length	Connector color/Strain relief color			PU
	gray/black	light green/black	pink/black	
1 m	891-8993/205-103	891-8993/205-105	891-8993/205-107	1
2 m	891-8993/205-203	891-8993/205-205	891-8993/205-207	1
3 m	891-8993/205-303	891-8993/205-305	891-8993/205-307	1
4 m	891-8993/205-403	891-8993/205-405	891-8993/205-407	1
5 m	891-8993/205-503	891-8993/205-505	891-8993/205-507	1
6 m	891-8993/205-603	891-8993/205-605	891-8993/205-607	1
7 m	891-8993/205-703	891-8993/205-705	891-8993/205-707	1
8 m	891-8993/205-803	891-8993/205-805	891-8993/205-807	1

Accessories; for all products on this page



Locking lever; for flying leads; manually operated			
Color	Item No.	PU (SPU)	
● black	890-101	100 (50)	
○ white	890-121	100 (50)	



Locking lever; for flying leads; tool operated			
Color	Item No.	PU (SPU)	
● black	890-111	100 (50)	
○ white	890-131	100 (50)	



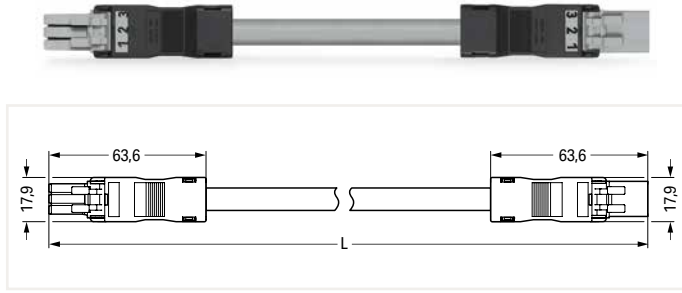
Mounting carrier; for flying leads; 2- to 5-pole			
Color	Item No.	PU	
● black	890-310	100	
○ white	890-311	100	

PU = Packaging Unit; SPU = Subpackaging Unit; Dimensions in mm

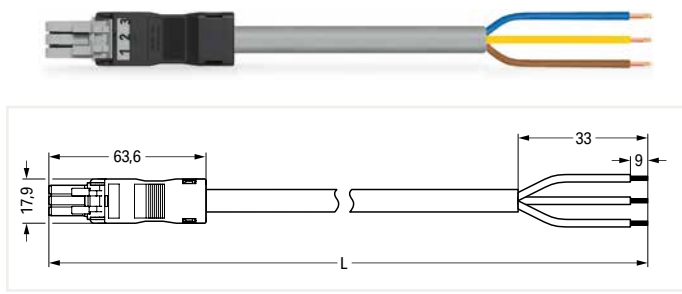
# Cable Assembly ▶ WINSTA® MINI ▶ 891 Series

Pole No.: 3 ▶ Fire class per EN 50575: E<sub>ca</sub> ▶ Coding: B ▶ 1.5 mm<sup>2</sup> ▶ Marking: 1 2 3 ▶ PVC ▶ Sheathed cable diameter: 7.4 ... 9.4 mm ▶ Control line 3 x 1.5 ▶ Measurement and regulation technology

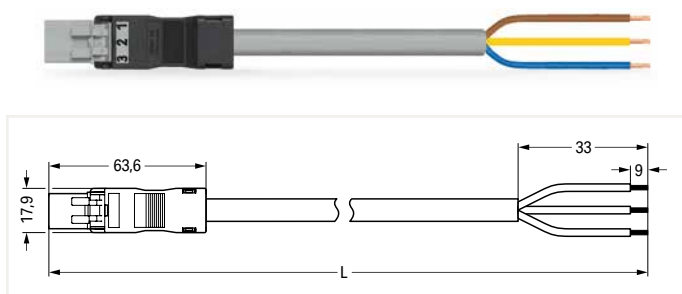
1



Interconnecting cable ▶ Socket - Plug ▶ Protection class: IP20; IP40 when mated				
Total length	Connector color/Strain relief color			PU
	gray/black	light green/black	pink/black	
1 m	891-8993/006-103	891-8993/006-105	891-8993/006-107	1
2 m	891-8993/006-203	891-8993/006-205	891-8993/006-207	1
3 m	891-8993/006-303	891-8993/006-305	891-8993/006-307	1
4 m	891-8993/006-403	891-8993/006-405	891-8993/006-407	1
5 m	891-8993/006-503	891-8993/006-505	891-8993/006-507	1
6 m	891-8993/006-603	891-8993/006-605	891-8993/006-607	1
7 m	891-8993/006-703	891-8993/006-705	891-8993/006-707	1
8 m	891-8993/006-803	891-8993/006-805	891-8993/006-807	1



Connecting cable ▶ Socket - Free end ▶ Protection class: IP40				
Total length	Connector color/Strain relief color			PU
	gray/black	light green/black	pink/black	
1 m	891-8993/106-103	891-8993/106-105	891-8993/106-107	1
2 m	891-8993/106-203	891-8993/106-205	891-8993/106-207	1
3 m	891-8993/106-303	891-8993/106-305	891-8993/106-307	1
4 m	891-8993/106-403	891-8993/106-405	891-8993/106-407	1
5 m	891-8993/106-503	891-8993/106-505	891-8993/106-507	1
6 m	891-8993/106-603	891-8993/106-605	891-8993/106-607	1
7 m	891-8993/106-703	891-8993/106-705	891-8993/106-707	1
8 m	891-8993/106-803	891-8993/106-805	891-8993/106-807	1



Connecting cable ▶ Plug - Free end ▶ Protection class: IP20; IP40 when mated				
Total length	Connector color/Strain relief color			PU
	gray/black	light green/black	pink/black	
1 m	891-8993/206-103	891-8993/206-105	891-8993/206-107	1
2 m	891-8993/206-203	891-8993/206-205	891-8993/206-207	1
3 m	891-8993/206-303	891-8993/206-305	891-8993/206-307	1
4 m	891-8993/206-403	891-8993/206-405	891-8993/206-407	1
5 m	891-8993/206-503	891-8993/206-505	891-8993/206-507	1
6 m	891-8993/206-603	891-8993/206-605	891-8993/206-607	1
7 m	891-8993/206-703	891-8993/206-705	891-8993/206-707	1
8 m	891-8993/206-803	891-8993/206-805	891-8993/206-807	1

Accessories; for all products on this page



Locking lever; for flying leads; manually operated		
Color	Item No.	PU (SPU)
● black	890-101	100 (50)
○ white	890-121	100 (50)



Locking lever; for flying leads; tool operated		
Color	Item No.	PU (SPU)
● black	890-111	100 (50)
○ white	890-131	100 (50)



Mounting carrier; for flying leads; 2- to 5-pole		
Color	Item No.	PU
● black	890-310	100
○ white	890-311	100

PU = Packaging Unit; SPU = Subpackaging Unit; Dimensions in mm



## Pluggable Connector ▶ WINSTA® MINI ▶ 890 Series

Pole No.: 4

1



- Protected against mismatching and maintenance-free
- Push-in CAGE CLAMP® spring pressure connection technology allows solid conductors to be simply pushed into a unit
- Compact design with 4.4 mm pole spacing
- When assembled the installation connectors complies with IP40 and are suitable for easily accessible areas

### Electrical Data

Coding	A;B		
Ratings per	IEC/EN 60664-1		
Overvoltage category	III	III	II
Pollution degree	3	2	2
Rated voltage	400 V	-	-
Rated impulse voltage	6 kV	-	-
Rated current	16 A	-	-
Approbations per	UL 1977		
Rated voltage	600 V		
Rated current	12 A		

### Connection Data

Connection technology	Push-in CAGE CLAMP®
Strip length	9 mm / 0.35 inch
Nominal cross-section	1.5 mm <sup>2</sup>
Solid conductor	0.25 ... 1.5 mm <sup>2</sup> / 22 ... 16 AWG
Solid conductor; push-in termination	0.75 ... 1.5 mm <sup>2</sup> / 20 ... 16 AWG
Stranded conductor	0.25 ... 1 mm <sup>2</sup> / 22 ... 18 AWG
Fine-stranded conductor	0.25 ... 1.5 mm <sup>2</sup> / 22 ... 16 AWG
Fine-stranded conductor; with insulated ferrule	0.25 ... 0.75 mm <sup>2</sup> / 22 ... 20 AWG
Fine-stranded conductor; with uninsulated ferrule	0.25 ... 0.75 mm <sup>2</sup> / 22 ... 20 AWG
Fine-stranded conductor; with ferrule; push-in termination	0.75 mm <sup>2</sup> / 20 AWG

### Material Data

Insulation material	Polyamide (PA66)
Clamping spring material	Chrome nickel spring steel (CrNi)
Contact material	Copper or copper alloy (surface-treated)

### Mechanical Data

Number of mating cycles	200, without resistive load
Mating force of a plug-in connection	approx. 20 ... 70 N (depending on pole number)
Unmating force of a plug-in connection	Unlocked: approx. 20 ... 70 N (depending on pole number)
Retention force of a plug-in connection	Locked: > 80 N

### Environmental Requirements

Processing temperature	-5 ... +40 °C
Continuous operating temperature	-35 ... +85 °C
Note on continuous operating temperature	Insulating parts for temperatures ≤ 105 °C

All WINSTA® components are 100% protected against mismatching when:

- plugging different numbers of poles
- plugging while rotated 180
- plugging while laterally staggered
- plugging one pole

Shield termination [Page 375](#)

Tool [Page 400](#)

See technical section for further information

For approvals and corresponding ratings, visit [www.wago.com](http://www.wago.com)

# Pluggable Connector ▶ WINSTA® MINI ▶ 890 Series

## Pole No.: 4

Strain relief housing ▶ Female connector/socket ▶ Strip length (outer insulation): 45 mm ▶ Connectable sheathed cable diameter: 6.5 ... 10.5 mm ▶ Protection class: IP40

Strain relief housing ▶ Male connector/plug ▶ Strip length (outer insulation): 45 mm ▶ Connectable sheathed cable diameter: 6.5 ... 10.5 mm ▶ Protection class: IP40



890-104

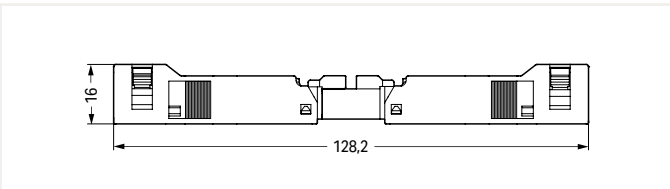
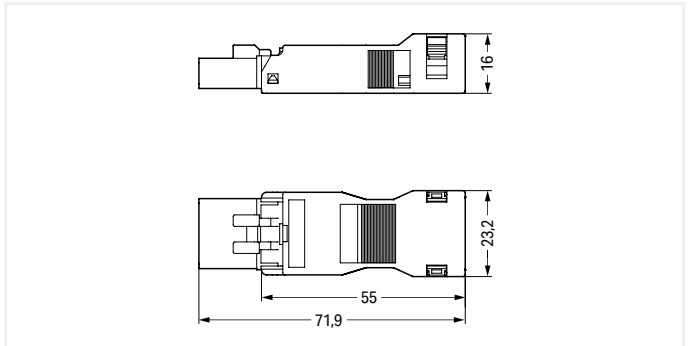
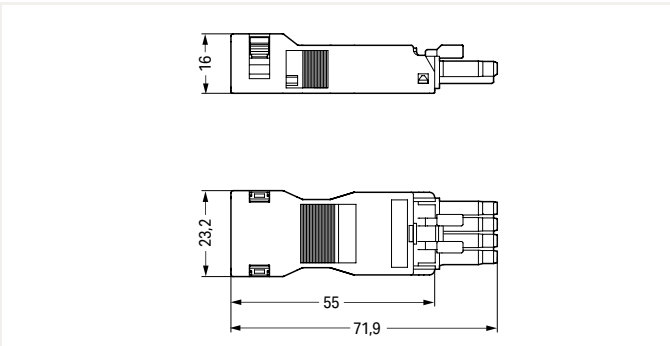
890-114

**General mains applications**

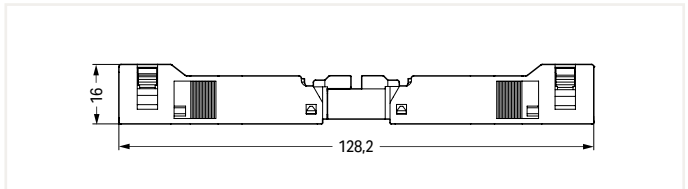
Color	Coding	Marking	Item No.	PU
● black	A	N ⊕ 2/L 1/L'	890-104	50
○ white	A	N ⊕ 2/L 1/L'	890-124	50

**General mains applications**

Color	Coding	Marking	Item No.	PU
● black	A	N ⊕ 2/L 1/L'	890-114	50
○ white	A	N ⊕ 2/L 1/L'	890-134	50



Overall length when mated



Overall length when mated

**Accessories; for all products on this page**



Locking lever; for flying leads; manually operated			
Color	Item No.	PU (SPU)	
● black	890-101	100 (50)	
○ white	890-121	100 (50)	



Locking lever; for flying leads; tool operated			
Color	Item No.	PU (SPU)	
● black	890-111	100 (50)	
○ white	890-131	100 (50)	



Mounting carrier; for flying leads; 2- to 5-pole			
Color	Item No.	PU	
● black	890-310	100	
○ white	890-311	100	



Operating tool; for WAGO WINSTA® MINI Connectors; Pole No.: 4			
Color	Item No.	PU	
● green	890-384	1	

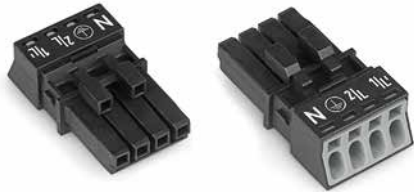
PU = Packaging Unit; SPU = Subpackaging Unit; Dimensions in mm

# Pluggable Connector ▶ WINSTA® MINI ▶ 890 Series

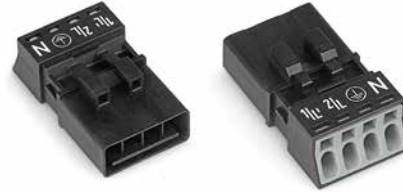
Pole No.: 4

Female connector/socket ▶ Protection class: IP20; IP40 with strain relief housing

Male connector/plug ▶ Protection class: IP20; IP40 when mated with strain relief housing



890-204



890-214

### General mains applications

Color	Coding	Marking	Item No.	PU
● black	A	N ⊕ 2/L 1/L'	890-204	50
○ white	A	N ⊕ 2/L 1/L'	890-224	50

### General mains applications

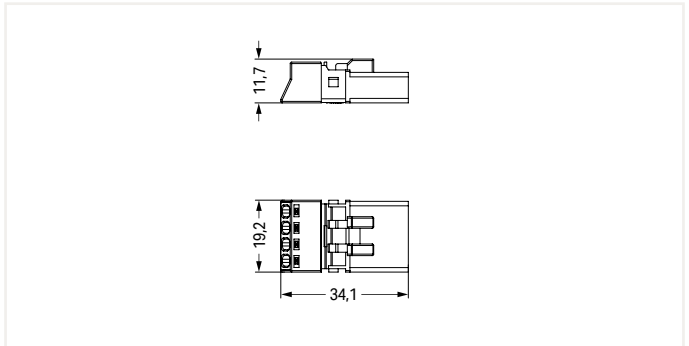
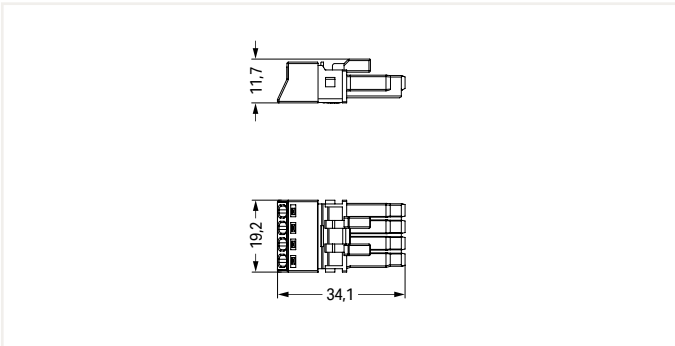
Color	Coding	Marking	Item No.	PU
● black	A	N ⊕ 2/L 1/L'	890-214	50
○ white	A	N ⊕ 2/L 1/L'	890-234	50

### Measurement and regulation technology

Color	Coding	Marking	Item No.	PU
● gray	B	1 2 3 4	890-244	50
● gray	B	N ⊕ 2/L 1/L'	890-244/060-000	50
● gray	B	3 ⊕ 2 1	890-244/062-000	50
● gray	B	2L ⊕ 1L L	890-244/064-000	50
● light green	B	1 2 3 4	890-264	50
● light green	B	U- S U+ X/Y	890-264/071-000	50
● light green	B	U- U+ DI AI	890-264/072-000	50
● light green	B	1 ⊕ 2 3	890-264/073-000	50
● pink	B	1 2 3 4	890-284	50
● pink	B	1 2 5 3	890-284/081-000	50

### Measurement and regulation technology

Color	Coding	Marking	Item No.	PU
● gray	B	1 2 3 4	890-254	50
● gray	B	N ⊕ 2/L 1/L'	890-254/060-000	50
● gray	B	3 ⊕ 2 1	890-254/062-000	50
● gray	B	2L ⊕ 1L L	890-254/064-000	50
● light green	B	1 2 3 4	890-274	50
● light green	B	U- S U+ X/Y	890-274/071-000	50
● light green	B	U- U+ DI AI	890-274/072-000	50
● light green	B	1 ⊕ 2 3	890-274/073-000	50
● pink	B	1 2 3 4	890-294	50
● pink	B	1 2 5 3	890-294/081-000	50



### Accessories; for all products on this page



Locking lever; for flying leads; manually operated		
Color	Item No.	PU (SPU)
● black	890-101	100 (50)
○ white	890-121	100 (50)



Locking lever; for flying leads; tool operated		
Color	Item No.	PU (SPU)
● black	890-111	100 (50)
○ white	890-131	100 (50)



Mounting carrier; for flying leads; 2- to 5-pole		
Color	Item No.	PU
● black	890-310	100
○ white	890-311	100



Operating tool; for WAGO WINSTA® MINI Connectors; Pole No.: 4		
Color	Item No.	PU
● green	890-384	1



Strain relief housing; Connectable sheathed cable diameter: 6.5 ... 10.5 mm; Strip length (outer insulation): 45 mm		
Color	Item No.	PU
● black	890-504	50
○ white	890-514	50

PU = Packaging Unit; SPU = Subpackaging Unit; Dimensions in mm





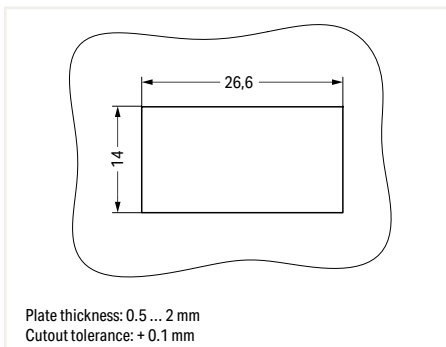
## Snap-in Device Connector ▶ WINSTA® MINI ▶ 890 Series

Pole No.: 4

1



- Protected against mismatching and maintenance-free
- Push-in CAGE CLAMP® spring pressure connection technology allows solid conductors to be simply pushed into a unit.
- Low profile with 4.4 mm pole spacing
- When assembled, the installation connectors comply with IP40 and are suitable for easily accessible areas.



Electrical Data			
Coding	A;B		
Ratings per	IEC/EN 60664-1		
Overvoltage category	III	III	II
Pollution degree	3	2	2
Rated voltage	400 V	-	-
Rated impulse voltage	6 kV	-	-
Rated current	16 A	-	-
Approbations per	UL 1977		
Rated voltage	600 V		
Rated current	12 A		

Connection Data	
Connection technology	Push-in CAGE CLAMP®
Strip length	9 mm / 0.35 inch
Nominal cross-section	1.5 mm <sup>2</sup>
Solid conductor	0.25 ... 1.5 mm <sup>2</sup> / 22 ... 16 AWG
Solid conductor; push-in termination	0.75 ... 1.5 mm <sup>2</sup> / 20 ... 16 AWG
Stranded conductor	0.25 ... 1 mm <sup>2</sup> / 22 ... 18 AWG
Fine-stranded conductor	0.25 ... 1.5 mm <sup>2</sup> / 22 ... 16 AWG
Fine-stranded conductor; with insulated ferrule	0.25 ... 0.75 mm <sup>2</sup> / 22 ... 20 AWG
Fine-stranded conductor; with uninsulated ferrule	0.25 ... 0.75 mm <sup>2</sup> / 22 ... 20 AWG
Fine-stranded conductor; with ferrule; push-in termination	0.75 mm <sup>2</sup> / 20 AWG

Material Data	
Insulation material	Polyamide (PA66)
Clamping spring material	Chrome nickel spring steel (CrNi)
Contact material	Copper or copper alloy (surface-treated)

Mechanical Data	
Number of mating cycles	200, without resistive load
Mating force of a plug-in connection	approx. 20 ... 70 N (depending on pole number)
Unmating force of a plug-in connection	Unlocked: approx. 20 ... 70 N (depending on pole number)
Retention force of a plug-in connection	Locked: > 80 N

Environmental Requirements	
Processing temperature	-5 ... +40 °C
Continuous operating temperature	-35 ... +85 °C
Note on continuous operating temperature	Insulating parts for temperatures ≤ 105 °C

All WINSTA® components are 100% protected against mismatching when:

- a.) plugging different numbers of poles
- b.) plugging while rotated 180
- c.) plugging while laterally staggered
- d.) plugging one pole

Tool Page 400

See technical section for further information

For approvals and corresponding ratings, visit [www.wago.com](http://www.wago.com)

# Snap-in Device Connector ▶ WINSTA® MINI ▶ 890 Series

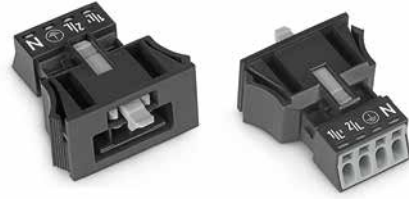
## Pole No.: 4

Female connector/socket ▶ Protection class: IP40

Male connector/plug ▶ Protection class: IP20; IP40 when mated



890-704



890-714

**General mains applications**

Color	Coding	Marking	Item No.	PU (SPU)
● black	A	N ⊕ 2/L 1/L'	890-704	50 (50)
○ white	A	N ⊕ 2/L 1/L'	890-724	50 (50)

**General mains applications**

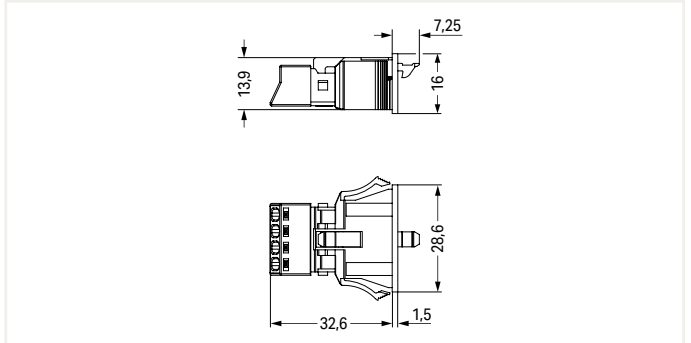
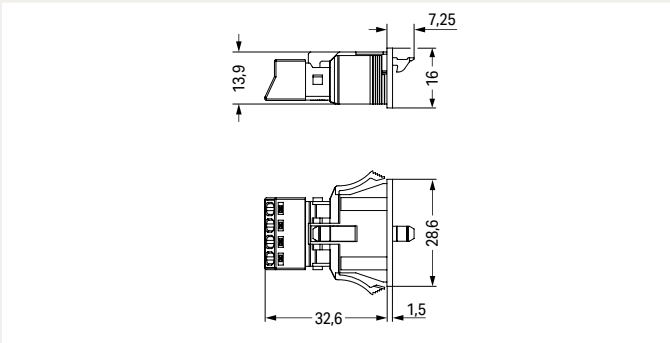
Color	Coding	Marking	Item No.	PU (SPU)
● black	A	N ⊕ 2/L 1/L'	890-714	50 (50)
○ white	A	N ⊕ 2/L 1/L'	890-734	50 (50)

**Measurement and regulation technology**

Color	Coding	Marking	Item No.	PU (SPU)
● gray	B	1 2 3 4	890-744	50 (50)
● gray	B	N ⊕ 2/L 1/L'	890-744/060-000	50 (50)
● gray	B	3 ⊕ 2 1	890-744/062-000	50 (50)
● gray	B	2L ⊕ 1L L	890-744/064-000	50 (50)
● light green	B	1 2 3 4	890-764	50 (50)
● light green	B	U- S U+ X/Y	890-764/071-000	50 (50)
● light green	B	U- U+ DI AI	890-764/072-000	50 (50)
● light green	B	1 ⊕ 2 3	890-764/073-000	50 (50)
● pink	B	1 2 3 4	890-784	50 (50)
● pink	B	1 2 5 3	890-784/081-000	50 (50)

**Measurement and regulation technology**

Color	Coding	Marking	Item No.	PU (SPU)
● gray	B	1 2 3 4	890-754	50 (50)
● gray	B	N ⊕ 2/L 1/L'	890-754/060-000	50 (50)
● gray	B	3 ⊕ 2 1	890-754/062-000	50 (50)
● gray	B	2L ⊕ 1L L	890-754/064-000	50 (50)
● light green	B	1 2 3 4	890-774	50 (50)
● light green	B	U- S U+ X/Y	890-774/071-000	50 (50)
● light green	B	U- U+ DI AI	890-774/072-000	50 (50)
● light green	B	1 ⊕ 2 3	890-774/073-000	50 (50)
● pink	B	1 2 3 4	890-794	50 (50)
● pink	B	1 2 5 3	890-794/081-000	50 (50)



**Accessories; for all products on this page**



Operating tool; for WAGO WINSTA® MINI Connectors; Pole No.: 4

Color	Item No.	PU
● green	890-384	1



Lockout cap; for cutout; Pole No.: 4

Color	Item No.	PU
● black	890-644	100
○ white	890-694	100

PU = Packaging Unit; SPU = Subpackaging Unit; Dimensions in mm

## Pluggable PCB Connector ▶ WINSTA® MINI ▶ 890 Series

Pole No.: 4

1



- Protected against mismatching and maintenance-free
- Push-in CAGE CLAMP® spring pressure connection technology allows solid conductors to be simply pushed into a unit.
- Low profile with 4.4 mm pole spacing

Electrical Data			
<b>Coding</b>	A;B		
Ratings per	IEC/EN 60664-1		
Overvoltage category	III	III	II
Pollution degree	3	2	2
Rated voltage	250 V	-	-
Rated impulse voltage	4 kV	-	-
Rated current	16 A	-	-
Approbations per	UL 1977		
Rated voltage	600 V		
Rated current	12 A		

Material Data	
Insulation material	Polyamide (PA66)
Clamping spring material	Chrome nickel spring steel (CrNi)
Contact material	Copper or copper alloy (surface-treated)

Mechanical Data	
Solder pin arrangement	2 in-line solder pins/pole
Solder pin length	3.5 mm
Solder pin dimensions	1 x 0.8 mm
Drilled hole diameter with tolerance	1.3 <sup>(+0.1)</sup> mm
Mating force of a plug-in connection	approx. 20 ... 70 N (depending on pole number)
Unmating force of a plug-in connection	Unlocked: approx. 20 ... 70 N (depending on pole number)
Retention force of a plug-in connection	Locked: > 80 N

Environmental Requirements	
Processing temperature	-5 ... +40 °C
Continuous operating temperature	-35 ... +85 °C
Note on continuous operating temperature	Insulating parts for temperatures ≤ 105 °C

All WINSTA® components are 100% protected against mismatching when:

- plugging different numbers of poles
- plugging while rotated 180
- plugging while laterally staggered
- plugging one pole

See technical section for further information

For approvals and corresponding ratings, visit [www.wago.com](http://www.wago.com)

# Pluggable PCB Connector ▶ WINSTA® MINI ▶ 890 Series

## Pole No.: 4

straight ▶ Female connector/socket

straight ▶ Male connector/plug



890-804



890-814

**General mains applications**

Color	Coding	Marking	Item No.	PU
● black	A	N ⊕ 2/L 1/L'	890-804	50
○ white	A	N ⊕ 2/L 1/L'	890-824	50

**General mains applications**

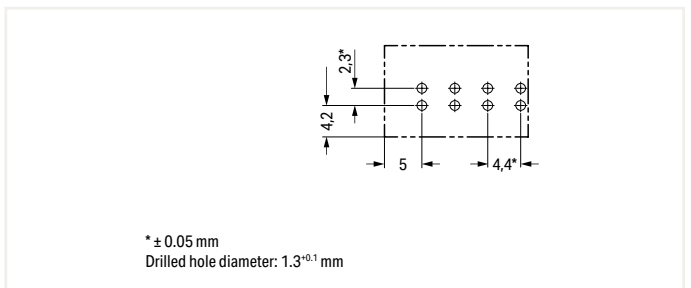
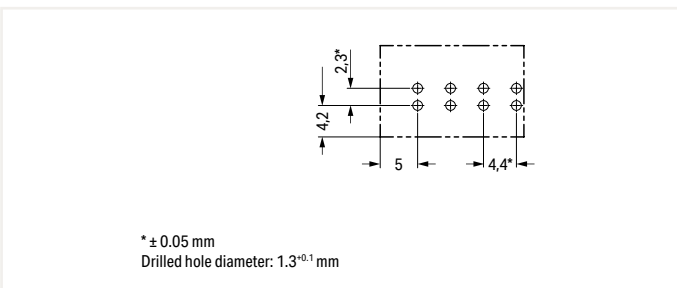
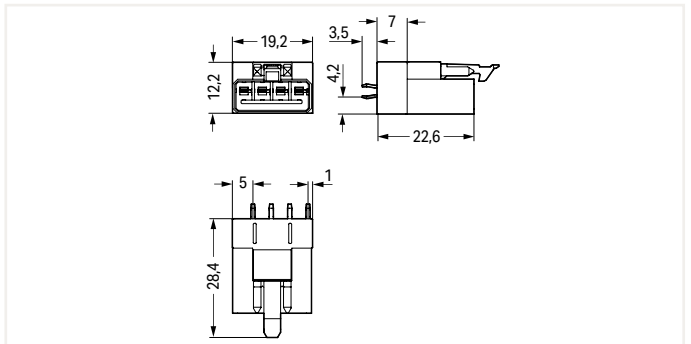
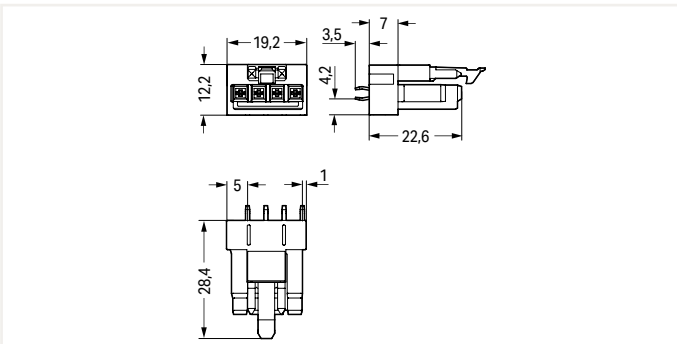
Color	Coding	Marking	Item No.	PU
● black	A	N ⊕ 2/L 1/L'	890-814	50
○ white	A	N ⊕ 2/L 1/L'	890-834	50

**Measurement and regulation technology**

Color	Coding	Marking	Item No.	PU
● gray	B	1 2 3 4	890-844	50
● light green	B	1 2 3 4	890-864	50
● pink	B	1 2 3 4	890-884	50

**Measurement and regulation technology**

Color	Coding	Marking	Item No.	PU
● gray	B	1 2 3 4	890-854	50
● light green	B	1 2 3 4	890-874	50
● pink	B	1 2 3 4	890-894	50



PU = Packaging Unit; SPU = Subpackaging Unit; Dimensions in mm

# Pluggable PCB Connector ▶ WINSTA® MINI ▶ 890 Series

Pole No.: 4

angled ▶ Female connector/socket

angled ▶ Male connector/plug



890-804/011-000

890-814/011-000

**General mains applications**

Color	Coding	Marking	Item No.	PU
● black	A	N ⊕ 2/L 1/L'	890-804/011-000	50
○ white	A	N ⊕ 2/L 1/L'	890-824/011-000	50

**General mains applications**

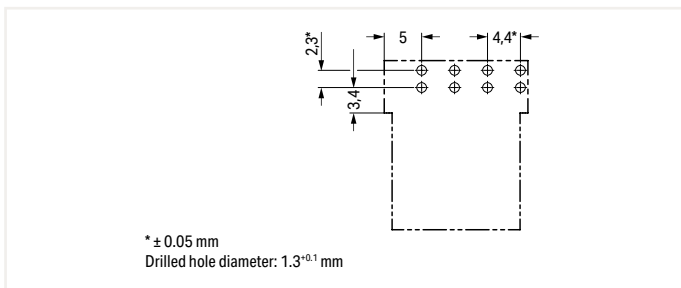
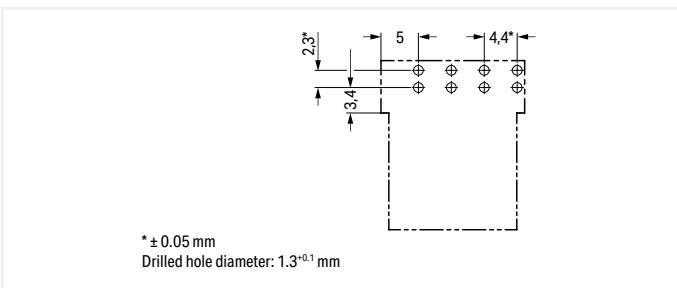
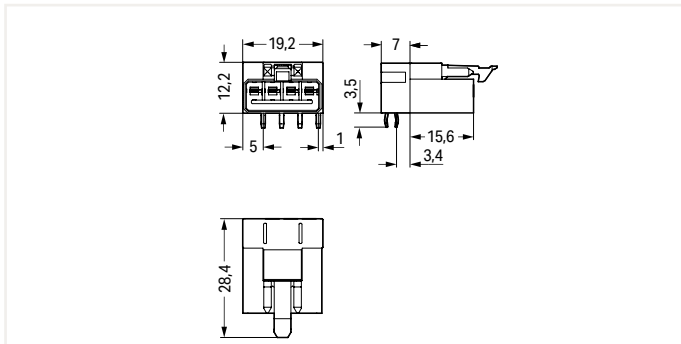
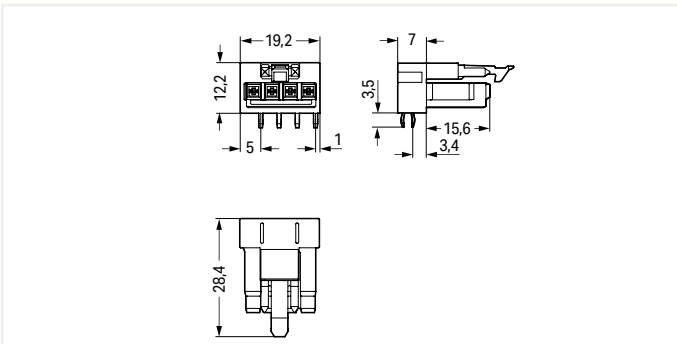
Color	Coding	Marking	Item No.	PU
● black	A	N ⊕ 2/L 1/L'	890-814/011-000	50
○ white	A	N ⊕ 2/L 1/L'	890-834/011-000	50

**Measurement and regulation technology**

Color	Coding	Marking	Item No.	PU
● gray	B	1 2 3 4	890-844/011-000	50
● light green	B	1 2 3 4	890-864/011-000	50
● pink	B	1 2 3 4	890-884/011-000	50

**Measurement and regulation technology**

Color	Coding	Marking	Item No.	PU
● gray	B	1 2 3 4	890-854/011-000	50
● light green	B	1 2 3 4	890-874/011-000	50
● pink	B	1 2 3 4	890-894/011-000	50





## Distribution Connector ▶ WINSTA® MINI ▶ 890 Series

### Pole No.: 4 ▶ Protection class: IP20; IP40 when mated



- Protected against mismatching and maintenance-free
- Low profile with 4.4 mm pole spacing

Electrical Data			
Coding	A;B		
Ratings per	IEC/EN 60664-1		
Overvoltage category	III	III	II
Pollution degree	3	2	2
Rated voltage	400 V	-	-
Rated impulse voltage	6 kV	-	-
Rated current	16 A	-	-
Approbations per	UL 1977		
Rated voltage	600 V		
Rated current	12 A		
Material Data			
Insulation material	Polyamide (PA66)		
Contact material	Copper or copper alloy (surface-treated)		
Mechanical Data			
Number of mating cycles	200, without resistive load		
Mating force of a plug-in connection	Approx. 20 ... 70 N (depending on pole number)		
Unmating force of a plug-in connection	Unlocked: approx. 20 ... 70 N (depending on pole number)		
Retention force of a plug-in connection	When locked: > 80 N		
Protection type	IP20		
Note on protection type	IP40 when mated		
Environmental Requirements			
Processing temperature	-5 ... +40 °C		
Continuous operating temperature	-35 ... +85 °C		
Note on continuous operating temperature	Insulating parts for temperatures ≤ 105 °C		

All WINSTA® components are 100% protected against mismatching when:

- plugging different numbers of poles
- plugging while rotated 180
- plugging while laterally staggered
- plugging one pole

At least one snap-in connector **without** a locking lever is required on one side when connecting two lights directly via intermediate coupler.

See technical section for further information

For approvals and corresponding ratings, visit [www.wago.com](http://www.wago.com)

# Distribution Connector ▶ WINSTA® MINI ▶ 890 Series

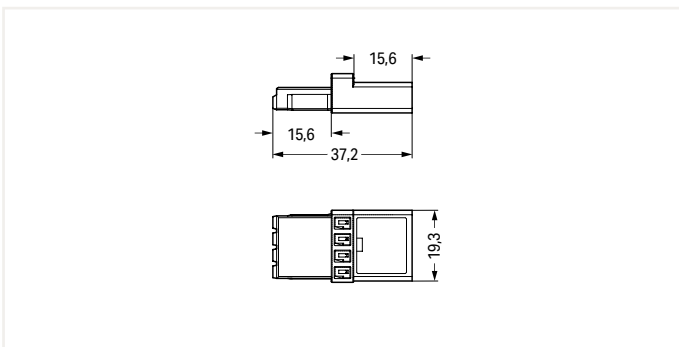
Pole No.: 4 ▶ Protection class: IP20; IP40 when mated

Intermediate coupler



890-604

General mains applications				
Color	Coding	com_Aufdruck	Item No.	PU
● black	A		890-604	50
○ white	A		890-654	50



PU = Packaging Unit; SPU = Subpackaging Unit; Dimensions in mm



# Distribution Connector ▶ WINSTA® MINI ▶ 890 Series

Pole No.: 4 ▶ Protection class: IP20; IP40 when mated

T-distribution connector ▶ Number of locking levers: 2

T-distribution connector ▶ Number of locking levers: 3 ▶ for flying leads

1



890-626



890-627

**General mains applications**

Color	Coding	Marking	Item No.	PU
● black	A	N ⊕ 2/L 1/L'	890-626	25
○ white	A	N ⊕ 2/L 1/L'	890-676	25

**Measurement and regulation technology**

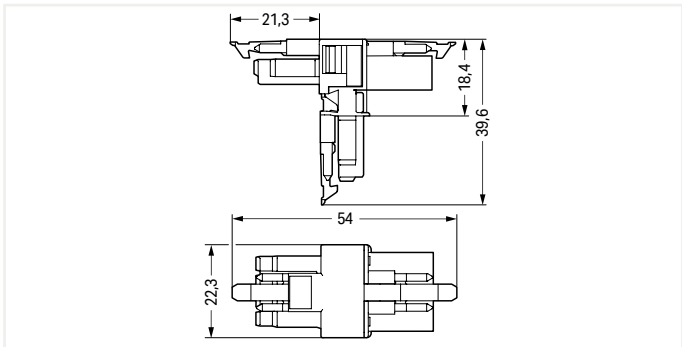
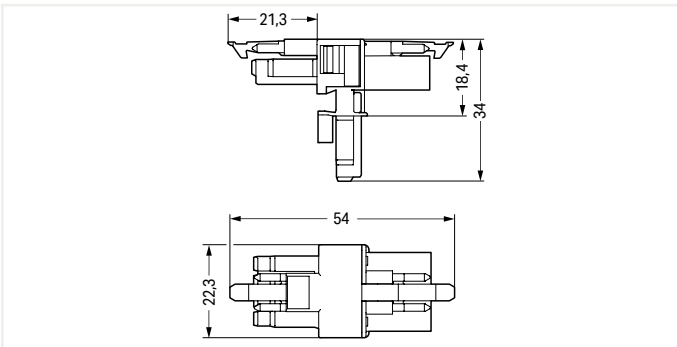
Color	Coding	Marking	Item No.	PU
● gray	B	1 2 3 4	890-1631	25
● light green	B	1 2 3 4	890-1632	25
● pink	B	1 2 3 4	890-1633	25

**General mains applications**

Color	Coding	Marking	Item No.	PU
● black	A	N ⊕ 2/L 1/L'	890-627	25
○ white	A	N ⊕ 2/L 1/L'	890-677	25

**Measurement and regulation technology**

Color	Coding	Marking	Item No.	PU
● gray	B	1 2 3 4	890-1731	25
● light green	B	1 2 3 4	890-1732	25
● pink	B	1 2 3 4	890-1733	25



PU = Packaging Unit; SPU = Subpackaging Unit; Dimensions in mm

# Distribution Connector ▶ WINSTA® MINI ▶ 890 Series

## Pole No.: 4 ▶ Protection class: IP20; IP40 when mated

h-distribution connector (unidirectional) ▶ Number of locking levers: 2

h-distribution connector (unidirectional) ▶ Number of locking levers: 3 ▶ for flying leads



890-944



890-945

1

**General mains applications**

Color	Coding	Marking	Item No.	PU
● black	A	N ⊕ 2/L 1/L'	890-944	50
○ white	A	N ⊕ 2/L 1/L'	890-994	50

**Measurement and regulation technology**

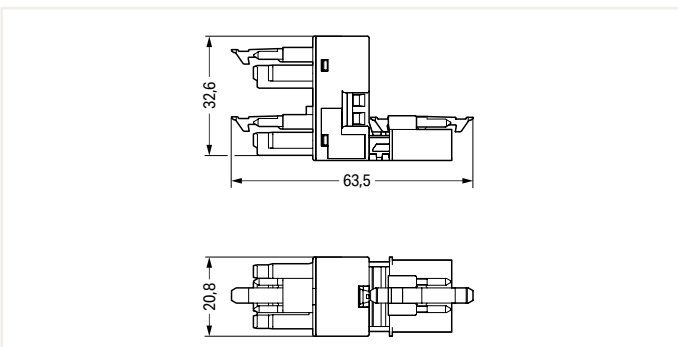
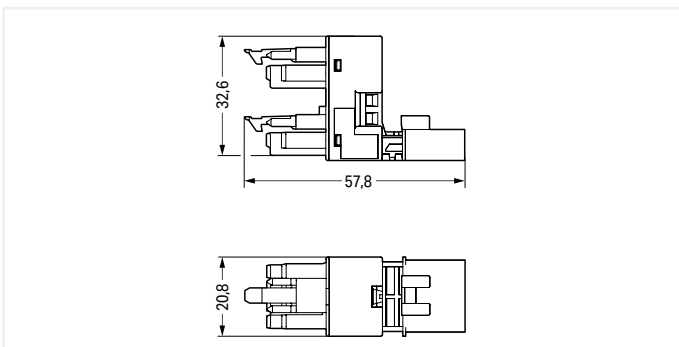
Color	Coding	Marking	Item No.	PU
● gray	B	1 2 3 4	890-1681	50
● light green	B	1 2 3 4	890-1682	50
● pink	B	1 2 3 4	890-1683	50

**General mains applications**

Color	Coding	Marking	Item No.	PU
● black	A	N ⊕ 2/L 1/L'	890-945	50
○ white	A	N ⊕ 2/L 1/L'	890-995	50

**Measurement and regulation technology**

Color	Coding	Marking	Item No.	PU
● gray	B	1 2 3 4	890-1781	50
● light green	B	1 2 3 4	890-1782	50
● pink	B	1 2 3 4	890-1783	50



**Accessories; for all products on this page**



Mounting plate; for distribution connectors (except T-distribution connectors); 4-pole

Color	Item No.	PU (SPU)
● black	890-624	50 (50)
○ white	890-674	50 (50)

PU = Packaging Unit; SPU = Subpackaging Unit; Dimensions in mm

## Distribution Connector ▶ WINSTA® MINI ▶ 890 Series

Pole No.: 4 ▶ Protection class: IP20; IP40 when mated

Distribution connector, 3-way,

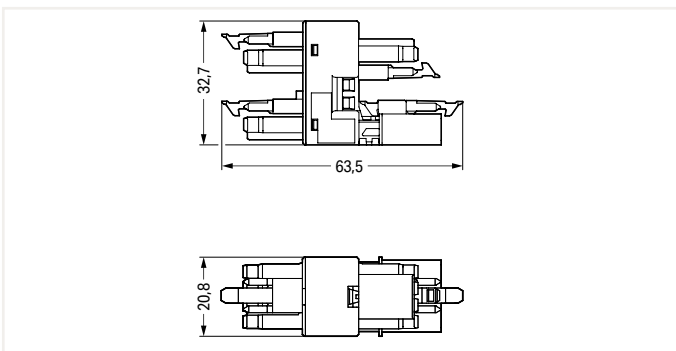
1



890-1734

### Measurement and regulation technology

Color	Coding	Marking	Item No.	PU
gray	B	1 2 3 4	890-1734	50
light green	B	1 2 3 4	890-1735	50
pink	B	1 2 3 4	890-1736	50



### Accessories; for all products on this page



Mounting plate; for distribution connectors (except T-distribution connectors); 4-pole

Color	Item No.	PU (SPU)
black	890-624	50 (50)
white	890-674	50 (50)

PU = Packaging Unit; SPU = Subpackaging Unit; Dimensions in mm



## Cable Assembly ▶ WINSTA® MINI ▶ 891 Series

Pole No.: 4 ▶ Fire class per EN 50575: E<sub>ca</sub>

1



- Protected against mismatching and maintenance-free
- Low profile with 4.4 mm pole spacing

Electrical Data						
Coding	A;B			B		
Wire cross-section	1.5 mm <sup>2</sup>			1 mm <sup>2</sup>		
Ratings per	IEC/EN 60664-1			IEC/EN 60664-1		
Overvoltage category	III	III	II	III	III	II
Pollution degree	3	2	2	3	2	2
Rated voltage	400 V	-	-	400 V	-	-
Rated impulse voltage	6 kV	-	-	6 kV	-	-
Rated current	16 A	-	-	10 A	-	-

Material Data	
Insulation material	Polyamide (PA66)
Contact material	Copper or copper alloy (surface-treated)
Fire class per EN 50575	E <sub>ca</sub>

Mechanical Data	
Number of mating cycles	200, without resistive load
Mating force of a plug-in connection	approx. 20 ... 70 N (depending on pole number)
Unmating force of a plug-in connection	when unlocked: approx. 20 ... 70 N (depending on pole number)
Retention force of a plug-in connection	when locked: > 80N

Environmental Requirements	
Processing temperature	-5 ... +40 °C
Continuous operating temperature	-35 ... +85 °C
Note on continuous operating temperature	PVC cable for temperatures ≤ 70 °C (including halogen-free) Insulating parts for temperatures ≤ 105 °C

All WINSTA® components are 100% protected against mismatching when:

- a.) plugging different numbers of poles
- b.) plugging while rotated 180
- c.) plugging while laterally staggered
- d.) plugging one pole

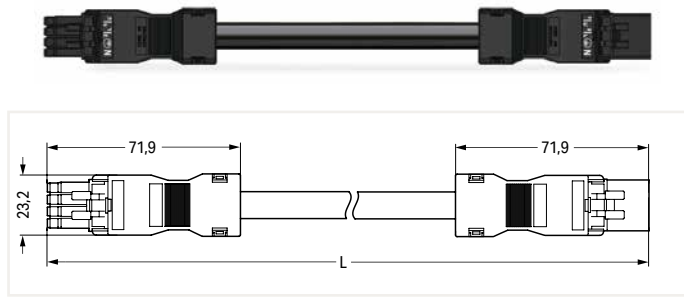
Cables with a different fire class can be found in the eShop.

See technical section for further information

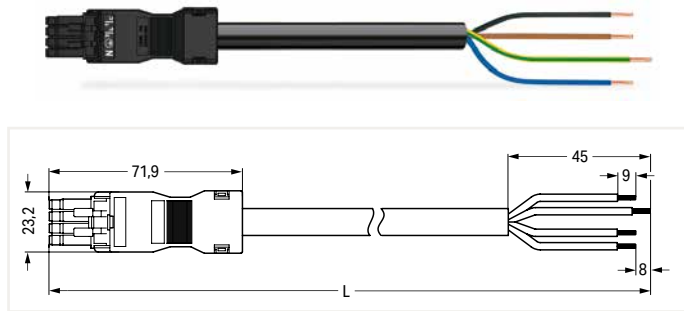
For approvals and corresponding ratings, visit [www.wago.com](http://www.wago.com)

### Cable Assembly ▶ WINSTA® MINI ▶ 891 Series

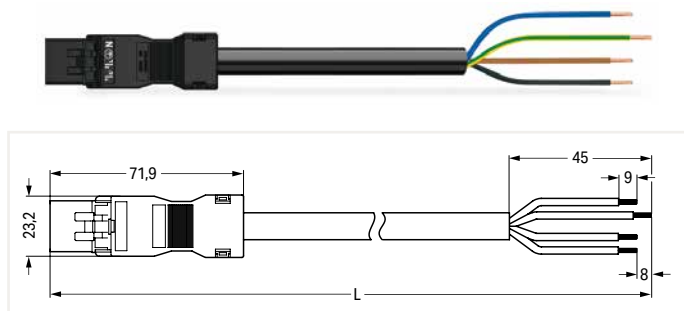
Pole No.: 4 ▶ Fire class per EN 50575: E<sub>ca</sub> ▶ Coding: A ▶ 1.5 mm<sup>2</sup> ▶ Marking: N ⊕ 2/L 1/L' ▶ PVC ▶ Sheathed cable diameter: 8.4 ... 10.5 mm ▶ H05VV-F 4G1.5 ▶ General mains applications



Interconnecting cable ▶ Socket - Plug ▶ Protection class: IP20; IP40 when mated			
Total length	Connector color/Strain relief color		PU
	black/black	white/white	
1 m	891-8994/006-101	891-8994/006-102	1
2 m	891-8994/006-201	891-8994/006-202	1
3 m	891-8994/006-301	891-8994/006-302	1
4 m	891-8994/006-401	891-8994/006-402	1
5 m	891-8994/006-501	891-8994/006-502	1
6 m	891-8994/006-601	891-8994/006-602	1
7 m	891-8994/006-701	891-8994/006-702	1
8 m	891-8994/006-801	891-8994/006-802	1



Connecting cable ▶ Socket - Free end ▶ Protection class: IP40			
Total length	Connector color/Strain relief color		PU
	black/black	white/white	
1 m	891-8994/106-101	891-8994/106-102	1
2 m	891-8994/106-201	891-8994/106-202	1
3 m	891-8994/106-301	891-8994/106-302	1
4 m	891-8994/106-401	891-8994/106-402	1
5 m	891-8994/106-501	891-8994/106-502	1
6 m	891-8994/106-601	891-8994/106-602	1
7 m	891-8994/106-701	891-8994/106-702	1
8 m	891-8994/106-801	891-8994/106-802	1



Connecting cable ▶ Plug - Free end ▶ Protection class: IP20; IP40 when mated			
Total length	Connector color/Strain relief color		PU
	black/black	white/white	
1 m	891-8994/206-101	891-8994/206-102	1
2 m	891-8994/206-201	891-8994/206-202	1
3 m	891-8994/206-301	891-8994/206-302	1
4 m	891-8994/206-401	891-8994/206-402	1
5 m	891-8994/206-501	891-8994/206-502	1
6 m	891-8994/206-601	891-8994/206-602	1
7 m	891-8994/206-701	891-8994/206-702	1
8 m	891-8994/206-801	891-8994/206-802	1

Accessories; for all products on this page



Locking lever; for flying leads; manually operated		
Color	Item No.	PU (SPU)
● black	890-101	100 (50)
○ white	890-121	100 (50)



Locking lever; for flying leads; tool operated		
Color	Item No.	PU (SPU)
● black	890-111	100 (50)
○ white	890-131	100 (50)



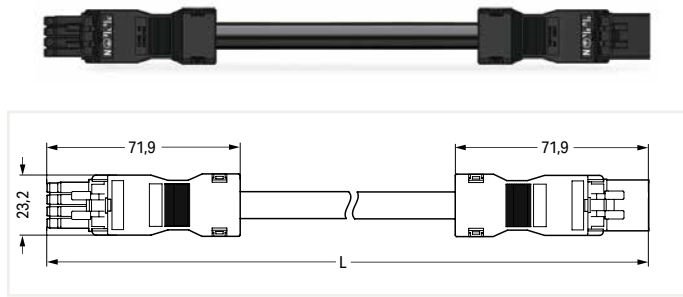
Mounting carrier; for flying leads; 2- to 5-pole		
Color	Item No.	PU
● black	890-310	100
○ white	890-311	100

PU = Packaging Unit; SPU = Subpackaging Unit; Dimensions in mm

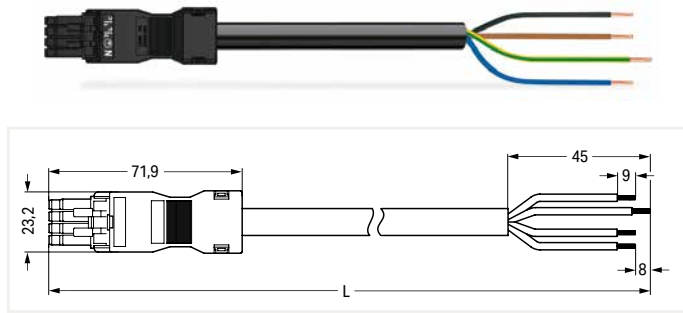
# Cable Assembly ▶ WINSTA® MINI ▶ 891 Series

Pole No.: 4 ▶ Fire class per EN 50575: E<sub>ca</sub> ▶ Coding: A ▶ 1.5 mm<sup>2</sup> ▶ Marking: N ⊕ 2/L 1/L' ▶ Halogen-free ▶ Sheathed cable diameter: 8.4 ... 10.5 mm ▶ H05Z1Z1-F 4G1.5 ▶ General mains applications

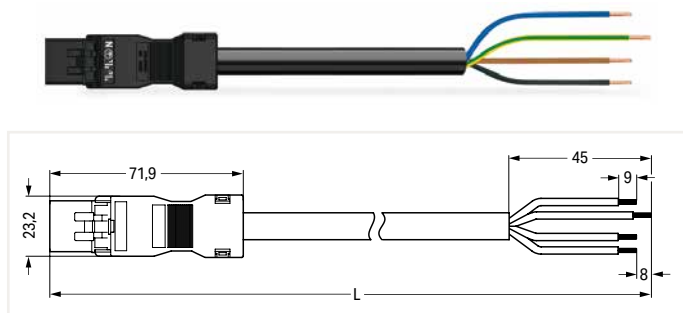
1



Interconnecting cable ▶ Socket - Plug ▶ Protection class: IP20; IP40 when mated			
Total length	Connector color/Strain relief color		PU
	black/black	white/white	
1 m	891-8994/016-101	891-8994/016-102	1
2 m	891-8994/016-201	891-8994/016-202	1
3 m	891-8994/016-301	891-8994/016-302	1
4 m	891-8994/016-401	891-8994/016-402	1
5 m	891-8994/016-501	891-8994/016-502	1
6 m	891-8994/016-601	891-8994/016-602	1
7 m	891-8994/016-701	891-8994/016-702	1
8 m	891-8994/016-801	891-8994/016-802	1



Connecting cable ▶ Socket - Free end ▶ Protection class: IP40			
Total length	Connector color/Strain relief color		PU
	black/black	white/white	
1 m	891-8994/116-101	891-8994/116-102	1
2 m	891-8994/116-201	891-8994/116-202	1
3 m	891-8994/116-301	891-8994/116-302	1
4 m	891-8994/116-401	891-8994/116-402	1
5 m	891-8994/116-501	891-8994/116-502	1
6 m	891-8994/116-601	891-8994/116-602	1
7 m	891-8994/116-701	891-8994/116-702	1
8 m	891-8994/116-801	891-8994/116-802	1



Connecting cable ▶ Plug - Free end ▶ Protection class: IP20; IP40 when mated			
Total length	Connector color/Strain relief color		PU
	black/black	white/white	
1 m	891-8994/216-101	891-8994/216-102	1
2 m	891-8994/216-201	891-8994/216-202	1
3 m	891-8994/216-301	891-8994/216-302	1
4 m	891-8994/216-401	891-8994/216-402	1
5 m	891-8994/216-501	891-8994/216-502	1
6 m	891-8994/216-601	891-8994/216-602	1
7 m	891-8994/216-701	891-8994/216-702	1
8 m	891-8994/216-801	891-8994/216-802	1

### Accessories; for all products on this page



Locking lever; for flying leads; manually operated		
Color	Item No.	PU (SPU)
● black	890-101	100 (50)
○ white	890-121	100 (50)



Locking lever; for flying leads; tool operated		
Color	Item No.	PU (SPU)
● black	890-111	100 (50)
○ white	890-131	100 (50)

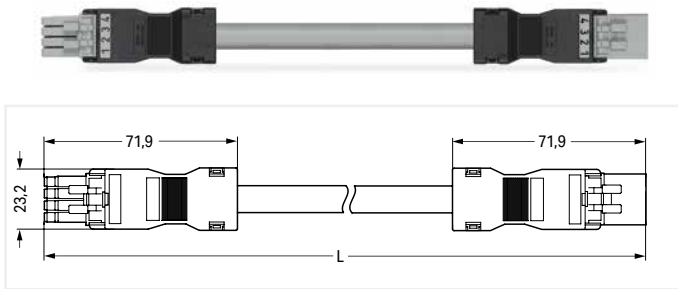


Mounting carrier; for flying leads; 2- to 5-pole		
Color	Item No.	PU
● black	890-310	100
○ white	890-311	100

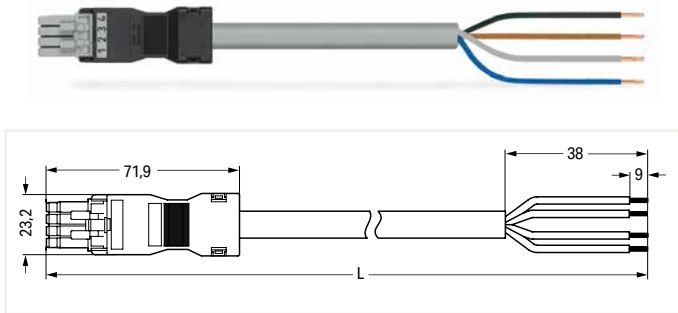
PU = Packaging Unit; SPU = Subpackaging Unit; Dimensions in mm

### Cable Assembly ▶ WINSTA® MINI ▶ 891 Series

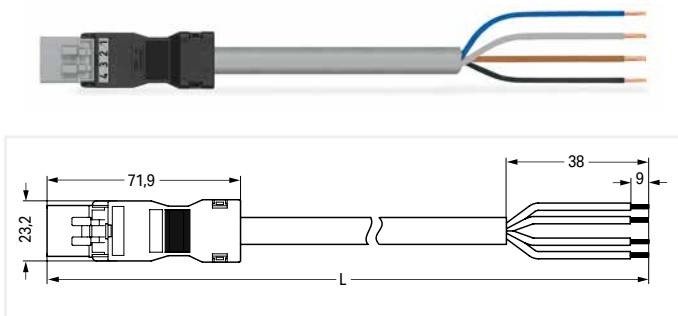
Pole No.: 4 ▶ Fire class per EN 50575: E<sub>ca</sub> ▶ Coding: B ▶ 1 mm<sup>2</sup> ▶ Marking: 1 2 3 4 ▶ PVC ▶ Sheathed cable diameter: 7.1 ... 9 mm ▶ Control line 4 x 1 ▶ Measurement and regulation technology



Interconnecting cable ▶ Socket - Plug ▶ Protection class: IP20; IP40 when mated				
Total length	Connector color/Strain relief color			PU
	gray/black	light green/black	pink/black	
1 m	891-8994/005-103	891-8994/005-105	891-8994/005-107	1
2 m	891-8994/005-203	891-8994/005-205	891-8994/005-207	1
3 m	891-8994/005-303	891-8994/005-305	891-8994/005-307	1
4 m	891-8994/005-403	891-8994/005-405	891-8994/005-407	1
5 m	891-8994/005-503	891-8994/005-505	891-8994/005-507	1
6 m	891-8994/005-603	891-8994/005-605	891-8994/005-607	1
7 m	891-8994/005-703	891-8994/005-705	891-8994/005-707	1
8 m	891-8994/005-803	891-8994/005-805	891-8994/005-807	1



Connecting cable ▶ Socket - Free end ▶ Protection class: IP40				
Total length	Connector color/Strain relief color			PU
	gray/black	light green/black	pink/black	
1 m	891-8994/105-103	891-8994/105-105	891-8994/105-107	1
2 m	891-8994/105-203	891-8994/105-205	891-8994/105-207	1
3 m	891-8994/105-303	891-8994/105-305	891-8994/105-307	1
4 m	891-8994/105-403	891-8994/105-405	891-8994/105-407	1
5 m	891-8994/105-503	891-8994/105-505	891-8994/105-507	1
6 m	891-8994/105-603	891-8994/105-605	891-8994/105-607	1
7 m	891-8994/105-703	891-8994/105-705	891-8994/105-707	1
8 m	891-8994/105-803	891-8994/105-805	891-8994/105-807	1



Connecting cable ▶ Plug - Free end ▶ Protection class: IP20; IP40 when mated				
Total length	Connector color/Strain relief color			PU
	gray/black	light green/black	pink/black	
1 m	891-8994/205-103	891-8994/205-105	891-8994/205-107	1
2 m	891-8994/205-203	891-8994/205-205	891-8994/205-207	1
3 m	891-8994/205-303	891-8994/205-305	891-8994/205-307	1
4 m	891-8994/205-403	891-8994/205-405	891-8994/205-407	1
5 m	891-8994/205-503	891-8994/205-505	891-8994/205-507	1
6 m	891-8994/205-603	891-8994/205-605	891-8994/205-607	1
7 m	891-8994/205-703	891-8994/205-705	891-8994/205-707	1
8 m	891-8994/205-803	891-8994/205-805	891-8994/205-807	1

Accessories; for all products on this page



Locking lever; for flying leads; manually operated			
Color	Item No.	PU (SPU)	
● black	890-101	100 (50)	
○ white	890-121	100 (50)	



Locking lever; for flying leads; tool operated			
Color	Item No.	PU (SPU)	
● black	890-111	100 (50)	
○ white	890-131	100 (50)	



Mounting carrier; for flying leads; 2- to 5-pole			
Color	Item No.	PU	
● black	890-310	100	
○ white	890-311	100	

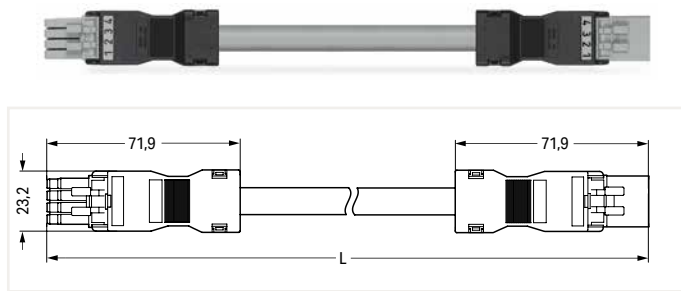
PU = Packaging Unit; SPU = Subpackaging Unit; Dimensions in mm



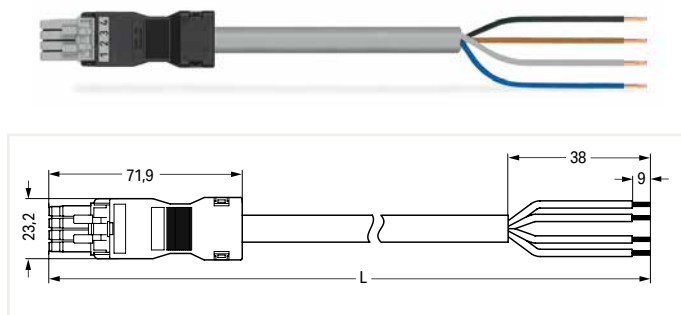
# Cable Assembly ▶ WINSTA® MINI ▶ 891 Series

Pole No.: 4 ▶ Fire class per EN 50575: E<sub>Ca</sub> ▶ Coding: B ▶ 1.5 mm<sup>2</sup> ▶ Marking: 1 2 3 4 ▶ PVC ▶ Sheathed cable diameter: 8.4 ... 10.5 mm ▶ Control line 4 x 1.5 ▶ Measurement and regulation technology

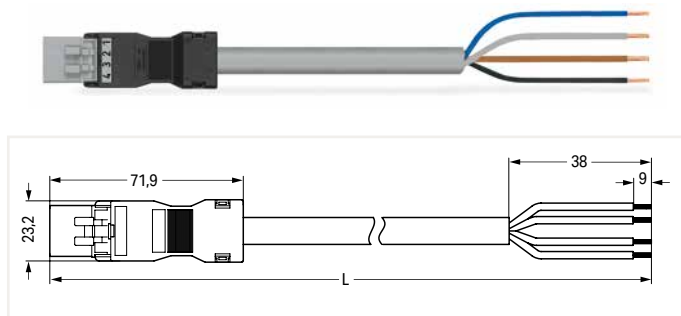
1



Interconnecting cable ▶ Socket - Plug ▶ Protection class: IP20; IP40 when mated				
Total length	Connector color/Strain relief color			PU
	gray/black	light green/black	pink/black	
1 m	891-8994/006-103	891-8994/006-105	891-8994/006-107	1
2 m	891-8994/006-203	891-8994/006-205	891-8994/006-207	1
3 m	891-8994/006-303	891-8994/006-305	891-8994/006-307	1
4 m	891-8994/006-403	891-8994/006-405	891-8994/006-407	1
5 m	891-8994/006-503	891-8994/006-505	891-8994/006-507	1
6 m	891-8994/006-603	891-8994/006-605	891-8994/006-607	1
7 m	891-8994/006-703	891-8994/006-705	891-8994/006-707	1
8 m	891-8994/006-803	891-8994/006-805	891-8994/006-807	1



Connecting cable ▶ Socket - Free end ▶ Protection class: IP40				
Total length	Connector color/Strain relief color			PU
	gray/black	light green/black	pink/black	
1 m	891-8994/106-103	891-8994/106-105	891-8994/106-107	1
2 m	891-8994/106-203	891-8994/106-205	891-8994/106-207	1
3 m	891-8994/106-303	891-8994/106-305	891-8994/106-307	1
4 m	891-8994/106-403	891-8994/106-405	891-8994/106-407	1
5 m	891-8994/106-503	891-8994/106-505	891-8994/106-507	1
6 m	891-8994/106-603	891-8994/106-605	891-8994/106-607	1
7 m	891-8994/106-703	891-8994/106-705	891-8994/106-707	1
8 m	891-8994/106-803	891-8994/106-805	891-8994/106-807	1



Connecting cable ▶ Plug - Free end ▶ Protection class: IP20; IP40 when mated				
Total length	Connector color/Strain relief color			PU
	gray/black	light green/black	pink/black	
1 m	891-8994/206-103	891-8994/206-105	891-8994/206-107	1
2 m	891-8994/206-203	891-8994/206-205	891-8994/206-207	1
3 m	891-8994/206-303	891-8994/206-305	891-8994/206-307	1
4 m	891-8994/206-403	891-8994/206-405	891-8994/206-407	1
5 m	891-8994/206-503	891-8994/206-505	891-8994/206-507	1
6 m	891-8994/206-603	891-8994/206-605	891-8994/206-607	1
7 m	891-8994/206-703	891-8994/206-705	891-8994/206-707	1
8 m	891-8994/206-803	891-8994/206-805	891-8994/206-807	1

Accessories; for all products on this page



Locking lever; for flying leads; manually operated			
Color	Item No.	PU (SPU)	
● black	890-101	100 (50)	
○ white	890-121	100 (50)	



Locking lever; for flying leads; tool operated			
Color	Item No.	PU (SPU)	
● black	890-111	100 (50)	
○ white	890-131	100 (50)	



Mounting carrier; for flying leads; 2- to 5-pole			
Color	Item No.	PU	
● black	890-310	100	
○ white	890-311	100	

PU = Packaging Unit; SPU = Subpackaging Unit; Dimensions in mm



## Pluggable Connector ▶ WINSTA® MINI ▶ 890 Series

Pole No.: 5

1



- Protected against mismatching and maintenance-free
- Push-in CAGE CLAMP® spring pressure connection technology allows solid conductors to be simply pushed into a unit
- Compact design with 4.4 mm pole spacing
- When assembled the installation connectors complies with IP40 and are suitable for easily accessible areas

### Electrical Data

Connectable sheathed cable diameter	6.5 ... 10.5 mm			B;I		
Coding	A			B;I		
Ratings per	IEC/EN 60664-1			IEC/EN 60664-1		
Overvoltage category	III	III	II	III	III	II
Pollution degree	3	2	2	3	2	2
Rated voltage	400 V	-	-	400 V	-	-
Rated impulse voltage	6 kV	-	-	6 kV	-	-
Rated current	13 A	-	-	16 A	-	-
Approbations per	UL 1977			UL 1977		
Rated voltage	600 V			600 V		
Rated current	12 A			12 A		

### Connection Data

Connection technology	Push-in CAGE CLAMP®
Strip length	9 mm / 0.35 inch
Nominal cross-section	1.5 mm <sup>2</sup>
Solid conductor	0.25 ... 1.5 mm <sup>2</sup> / 22 ... 16 AWG
Solid conductor; push-in termination	0.75 ... 1.5 mm <sup>2</sup> / 20 ... 16 AWG
Stranded conductor	0.25 ... 1 mm <sup>2</sup> / 22 ... 18 AWG
Fine-stranded conductor	0.25 ... 1.5 mm <sup>2</sup> / 22 ... 16 AWG
Fine-stranded conductor; with insulated ferrule	0.25 ... 0.75 mm <sup>2</sup> / 22 ... 20 AWG
Fine-stranded conductor; with uninsulated ferrule	0.25 ... 0.75 mm <sup>2</sup> / 22 ... 20 AWG
Fine-stranded conductor; with ferrule; push-in termination	0.75 mm <sup>2</sup> / 20 AWG

### Material Data

Insulation material	Polyamide (PA66)
Clamping spring material	Chrome nickel spring steel (CrNi)
Contact material	Copper or copper alloy (surface-treated)

### Mechanical Data

Number of mating cycles	200, without resistive load
Mating force of a plug-in connection	approx. 20 ... 70 N (depending on pole number)
Unmating force of a plug-in connection	Unlocked: approx. 20 ... 70 N (depending on pole number)
Retention force of a plug-in connection	Locked: > 80 N

### Environmental Requirements

Processing temperature	-5 ... +40 °C
Continuous operating temperature	-35 ... +85 °C
Note on continuous operating temperature	Insulating parts for temperatures ≤ 105 °C

All WINSTA® components are 100% protected against mismatching when:

- plugging different numbers of poles
- plugging while rotated 180
- plugging while laterally staggered
- plugging one pole

Shield termination [Page 375](#)

Tool [Page 400](#)

See technical section for further information

For approvals and corresponding ratings, visit [www.wago.com](http://www.wago.com)

# Pluggable Connector ▶ WINSTA® MINI ▶ 890 Series

## Pole No.: 5

Strain relief housing ▶ Female connector/socket ▶ Strip length (outer insulation): 45 mm ▶ Connectable sheathed cable diameter: 6.5 ... 10.5 mm ▶ Protection class: IP40

Strain relief housing ▶ Male connector/plug ▶ Strip length (outer insulation): 45 mm ▶ Connectable sheathed cable diameter: 6.5 ... 10.5 mm ▶ Protection class: IP40



890-105



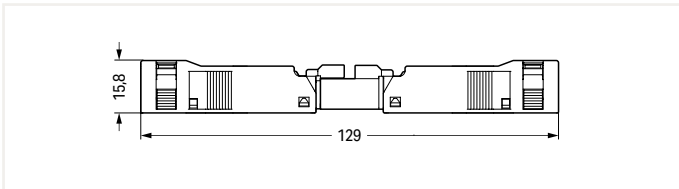
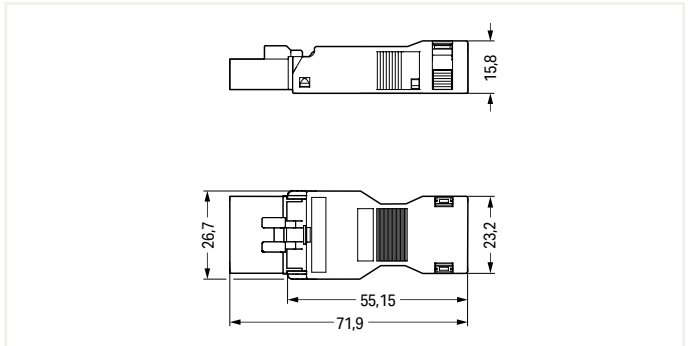
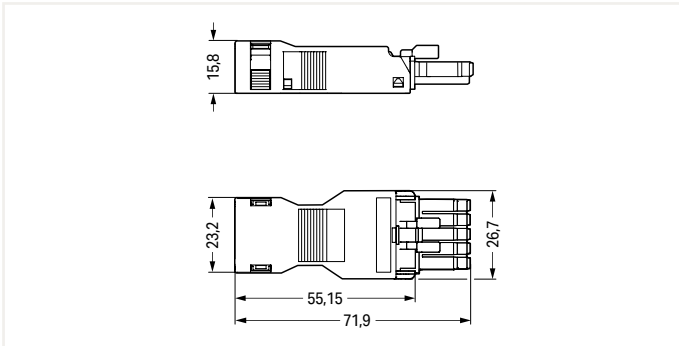
890-115

**General mains applications**

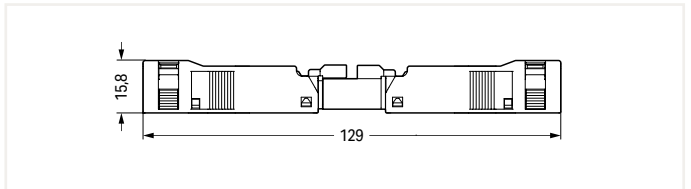
Color	Coding	Marking	Item No.	PU
● black	A	N ⊕ 1 2 3	890-105	50
○ white	A	N ⊕ 1 2 3	890-125	50

**General mains applications**

Color	Coding	Marking	Item No.	PU
● black	A	N ⊕ 1 2 3	890-115	50
○ white	A	N ⊕ 1 2 3	890-135	50



Overall length when mated



Overall length when mated

**Accessories; for all products on this page**



Locking lever; for flying leads; manually operated			
Color	Item No.	PU (SPU)	
● black	890-101	100 (50)	
○ white	890-121	100 (50)	



Locking lever; for flying leads; tool operated			
Color	Item No.	PU (SPU)	
● black	890-111	100 (50)	
○ white	890-131	100 (50)	



Mounting carrier; for flying leads; 2- to 5-pole			
Color	Item No.	PU	
● black	890-310	100	
○ white	890-311	100	



Operating tool; for WAGO WINSTA® MINI Connectors; Pole No.: 5			
Color	Item No.	PU	
● green	890-385	1	

PU = Packaging Unit; SPU = Subpackaging Unit; Dimensions in mm

# Pluggable Connector ▶ WINSTA® MINI ▶ 890 Series

## Pole No.: 5

Female connector/socket ▶ Protection class: IP20; IP40 with strain relief housing

1



890-205

### General mains applications

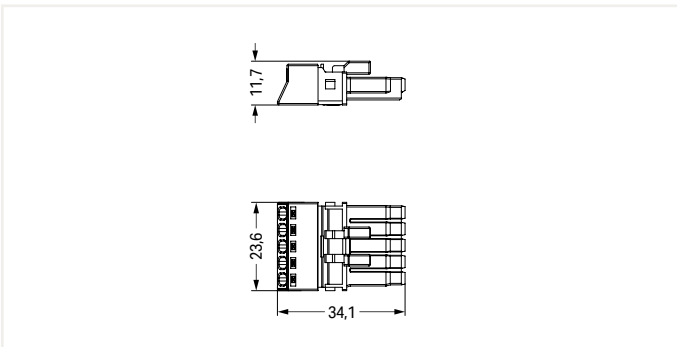
Color	Coding	Marking	Item No.	PU
● black	A	N ⊕ 1 2 3	890-205	50
○ white	A	N ⊕ 1 2 3	890-225	50

### DALI, Lighting Management

Color	Coding	Marking	Item No.	PU
● blue	I	N ⊕ L - +	890-1105	50

### Measurement and regulation technology

Color	Coding	Marking	Item No.	PU
● gray	B	1 2 3 4 5	890-245	50
● gray	B	N ⊕ L1 L2 L3	890-245/060-000	50
● gray	B	N ⊕ 3 2 1	890-245/062-000	50
● light green	B	1 2 3 4 5	890-265	50
● light green	B	1 ⊕ 2 3 4	890-265/073-000	50
● pink	B	1 2 3 4 5	890-285	50
● pink	B	N ⊕ L   -   +	890-285/080-000	50
● pink	B	N ⊕ L - +	890-285/082-000	50



### Accessories; for all products on this page



Locking lever; for flying leads; manually operated

Color	Item No.	PU (SPU)
● black	890-101	100 (50)
○ white	890-121	100 (50)



Locking lever; for flying leads; tool operated

Color	Item No.	PU (SPU)
● black	890-111	100 (50)
○ white	890-131	100 (50)



Mounting carrier; for flying leads; 2- to 5-pole

Color	Item No.	PU
● black	890-310	100
○ white	890-311	100



Operating tool; for WAGO WINSTA® MINI Connectors; Pole No.: 5

Color	Item No.	PU
● green	890-385	1



Strain relief housing; Connectable sheathed cable diameter: 6.5 ... 10.5 mm; Strip length (outer insulation): 45 mm

Color	Item No.	PU
● black	890-505	50
○ white	890-515	50

PU = Packaging Unit; SPU = Subpackaging Unit; Dimensions in mm

## Pluggable Connector ▶ WINSTA® MINI ▶ 890 Series

### Pole No.: 5

Male connector/plug ▶ Protection class: IP20; IP40 when mated with strain relief housing



890-215

#### General mains applications

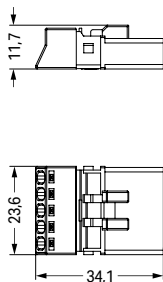
Color	Coding	Marking	Item No.	PU
● black	A	N ⊕ 1 2 3	890-215	50
○ white	A	N ⊕ 1 2 3	890-235	50

#### DALI, Lighting Management

Color	Coding	Marking	Item No.	PU
● blue	I	N ⊕ L - +	890-1115	50

#### Measurement and regulation technology

Color	Coding	Marking	Item No.	PU
● gray	B	1 2 3 4 5	890-255	50
● gray	B	N ⊕ L1 L2 L3	890-255/060-000	50
● gray	B	N ⊕ 3 2 1	890-255/062-000	50
● light green	B	1 2 3 4 5	890-275	50
● light green	B	1 ⊕ 2 3 4	890-275/073-000	50
● pink	B	1 2 3 4 5	890-295	50
● pink	B	N ⊕ L I - I +	890-295/080-000	50
● pink	B	N ⊕ L - +	890-295/082-000	50



#### Accessories; for all products on this page



Locking lever; for flying leads; manually operated

Color	Item No.	PU (SPU)
● black	890-101	100 (50)
○ white	890-121	100 (50)



Locking lever; for flying leads; tool operated

Color	Item No.	PU (SPU)
● black	890-111	100 (50)
○ white	890-131	100 (50)



Mounting carrier; for flying leads; 2- to 5-pole

Color	Item No.	PU
● black	890-310	100
○ white	890-311	100



Operating tool; for WAGO WINSTA® MINI Connectors; Pole No.: 5

Color	Item No.	PU
● green	890-385	1



Strain relief housing; Connectable sheathed cable diameter: 6.5 ... 10.5 mm; Strip length (outer insulation): 45 mm

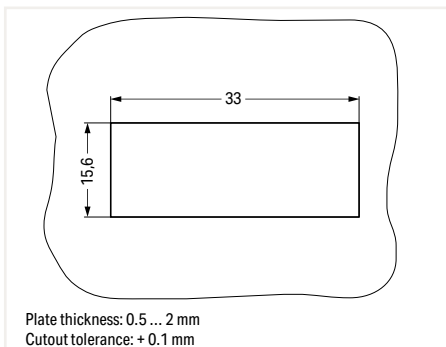
Color	Item No.	PU
● black	890-505	50
○ white	890-515	50

PU = Packaging Unit; SPU = Subpackaging Unit; Dimensions in mm

## Snap-in Device Connector ▶ WINSTA® MINI ▶ 890 Series

Pole No.: 5

1



- Protected against mismatching and maintenance-free
- Push-in CAGE CLAMP® spring pressure connection technology allows solid conductors to be simply pushed into a unit.
- Low profile with 4.4 mm pole spacing
- When assembled, the installation connectors comply with IP40 and are suitable for easily accessible areas.

## Electrical Data

Coding	A			B;I		
Ratings per	IEC/EN 60664-1					
Overvoltage category	III	III	II	III	III	II
Pollution degree	3	2	2	3	2	2
Rated voltage	400 V	-	-	400 V	-	-
Rated impulse voltage	6 kV	-	-	6 kV	-	-
Rated current	13 A	-	-	16 A	-	-
Approbations per	UL 1977			UL 1977		
Rated voltage	600 V			600 V		
Rated current	12 A			12 A		

## Connection Data

Connection technology	Push-in CAGE CLAMP®
Strip length	9 mm / 0.35 inch
Nominal cross-section	1.5 mm <sup>2</sup>
Solid conductor	0.25 ... 1.5 mm <sup>2</sup> / 22 ... 16 AWG
Solid conductor; push-in termination	0.75 ... 1.5 mm <sup>2</sup> / 20 ... 16 AWG
Stranded conductor	0.25 ... 1 mm <sup>2</sup> / 22 ... 18 AWG
Fine-stranded conductor	0.25 ... 1.5 mm <sup>2</sup> / 22 ... 16 AWG
Fine-stranded conductor; with insulated ferrule	0.25 ... 0.75 mm <sup>2</sup> / 22 ... 20 AWG
Fine-stranded conductor; with uninsulated ferrule	0.25 ... 0.75 mm <sup>2</sup> / 22 ... 20 AWG
Fine-stranded conductor; with ferrule; push-in termination	0.75 mm <sup>2</sup> / 20 AWG

## Material Data

Insulation material	Polyamide (PA66)
Clamping spring material	Chrome nickel spring steel (CrNi)
Contact material	Copper or copper alloy (surface-treated)

## Mechanical Data

Number of mating cycles	200, without resistive load
Mating force of a plug-in connection	approx. 20 ... 70 N (depending on pole number)
Unmating force of a plug-in connection	Unlocked: approx. 20 ... 70 N (depending on pole number)
Retention force of a plug-in connection	Locked: > 80 N

## Environmental Requirements

Processing temperature	-5 ... +40 °C
Continuous operating temperature	-35 ... +85 °C
Note on continuous operating temperature	Insulating parts for temperatures ≤ 105 °C

All WINSTA® components are 100% protected against mismatching when:

- plugging different numbers of poles
- plugging while rotated 180
- plugging while laterally staggered
- plugging one pole

Tool Page 400

See technical section for further information

For approvals and corresponding ratings, visit [www.wago.com](http://www.wago.com)

# Snap-in Device Connector ▶ WINSTA® MINI ▶ 890 Series

## Pole No.: 5

Female connector/socket ▶ Protection class: IP40

Male connector/plug ▶ Protection class: IP20; IP40 when mated



890-705



890-715

**General mains applications**

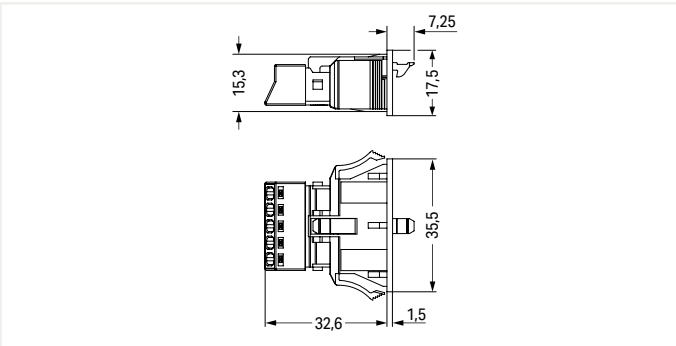
Color	Coding	Marking	Item No.	PU (SPU)
● black	A	N ⊕ 1 2 3	890-705	50 (50)
○ white	A	N ⊕ 1 2 3	890-725	50 (50)

**Measurement and regulation technology**

Color	Coding	Marking	Item No.	PU (SPU)
● gray	B	1 2 3 4 5	890-745	50 (50)
● gray	B	N ⊕ L1 L2 L3	890-745/060-000	50 (50)
● gray	B	N ⊕ 3 2 1	890-745/062-000	50 (50)
● light green	B	1 2 3 4 5	890-765	50 (50)
● light green	B	1 ⊕ 2 3 4	890-765/073-000	50 (50)
● pink	B	1 2 3 4 5	890-785	50 (50)
● pink	B	N ⊕ L I - I +	890-785/080-000	50 (50)
● pink	B	N ⊕ L - +	890-785/082-000	50 (50)

**DALI, Lighting Management**

Color	Coding	Marking	Item No.	PU (SPU)
● blue	I	N ⊕ L - +	890-2105	50 (50)



**General mains applications**

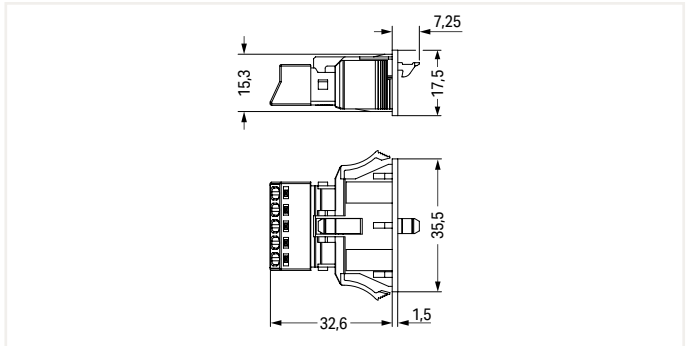
Color	Coding	Marking	Item No.	PU (SPU)
● black	A	N ⊕ 1 2 3	890-715	50 (25)
○ white	A	N ⊕ 1 2 3	890-735	50 (50)

**Measurement and regulation technology**

Color	Coding	Marking	Item No.	PU (SPU)
● gray	B	1 2 3 4 5	890-755	50 (50)
● gray	B	N ⊕ L1 L2 L3	890-755/060-000	50 (50)
● gray	B	N ⊕ 3 2 1	890-755/062-000	50 (50)
● light green	B	1 2 3 4 5	890-775	50 (50)
● light green	B	1 ⊕ 2 3 4	890-775/073-000	50 (50)
● pink	B	1 2 3 4 5	890-795	50 (50)
● pink	B	N ⊕ L I - I +	890-795/080-000	50 (50)
● pink	B	N ⊕ L - +	890-795/082-000	50 (50)

**DALI, Lighting Management**

Color	Coding	Marking	Item No.	PU (SPU)
● blue	I	N ⊕ L - +	890-2115	50 (50)



**Accessories; for all products on this page**



Lockout cap; for cutout; Pole No.: 3

Color	Item No.	PU
● black	770-643	100
○ white	770-693	100



Operating tool; for WAGO WINSTA® MINI Connectors; Pole No.: 5

Color	Item No.	PU
● green	890-385	1

PU = Packaging Unit; SPU = Subpackaging Unit; Dimensions in mm



## Pluggable PCB Connector ▶ WINSTA® MINI ▶ 890 Series

Pole No.: 5

1



- Protected against mismatching and maintenance-free
- Push-in CAGE CLAMP® spring pressure connection technology allows solid conductors to be simply pushed into a unit.
- Low profile with 4.4 mm pole spacing

### Electrical Data

Coding	A			B;I		
Ratings per	IEC/EN 60664-1			IEC/EN 60664-1		
Overvoltage category	III	III	II	III	III	II
Pollution degree	3	2	2	3	2	2
Rated voltage	250 V	-	-	250 V	-	-
Rated impulse voltage	4 kV	-	-	4 kV	-	-
Rated current	13 A	-	-	16 A	-	-
Approbations per	UL 1977			UL 1977		
Rated voltage	600 V			600 V		
Rated current	12 A			12 A		

### Material Data

Insulation material	Polyamide (PA66)
Clamping spring material	Chrome nickel spring steel (CrNi)
Contact material	Copper or copper alloy (surface-treated)

### Mechanical Data

Solder pin arrangement	2 in-line solder pins/pole
Solder pin length	3.5 mm
Solder pin dimensions	1 x 0.8 mm
Drilled hole diameter with tolerance	1.3 <sup>(+0.1)</sup> mm
Mating force of a plug-in connection	approx. 20 ... 70 N (depending on pole number)
Unmating force of a plug-in connection	Unlocked: approx. 20 ... 70 N (depending on pole number)
Retention force of a plug-in connection	Locked: > 80 N

### Environmental Requirements

Processing temperature	-5 ... +40 °C
Continuous operating temperature	-35 ... +85 °C
Note on continuous operating temperature	Insulating parts for temperatures ≤ 105 °C

All WINSTA® components are 100% protected against mismatching when:

- plugging different numbers of poles
- plugging while rotated 180
- plugging while laterally staggered
- plugging one pole

See technical section for further information

For approvals and corresponding ratings, visit [www.wago.com](http://www.wago.com)

# Pluggable PCB Connector ▶ WINSTA® MINI ▶ 890 Series

## Pole No.: 5

straight ▶ Female connector/socket

straight ▶ Male connector/plug



890-805

890-815

**General mains applications**

Color	Coding	Marking	Item No.	PU
● black	A	N ⊕ 1 2 3	890-805	50
○ white	A	N ⊕ 1 2 3	890-825	50

**General mains applications**

Color	Coding	Marking	Item No.	PU
● black	A	N ⊕ 1 2 3	890-815	50
○ white	A	N ⊕ 1 2 3	890-835	50

**Measurement and regulation technology**

Color	Coding	Marking	Item No.	PU
● gray	B	1 2 3 4 5	890-845	50
● light green	B	1 2 3 4 5	890-865	50
● pink	B	1 2 3 4 5	890-885	50

**Measurement and regulation technology**

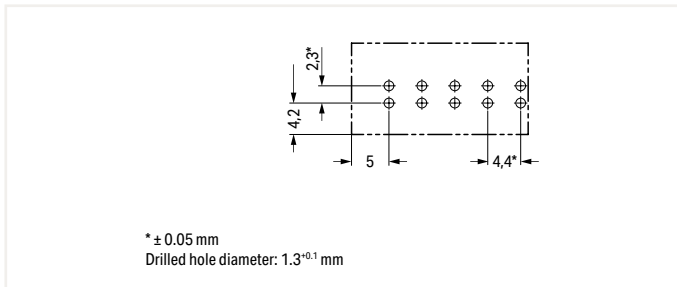
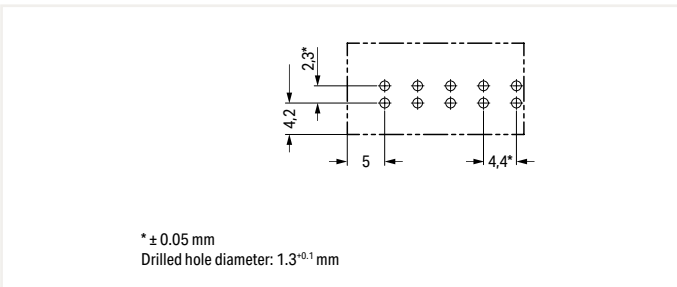
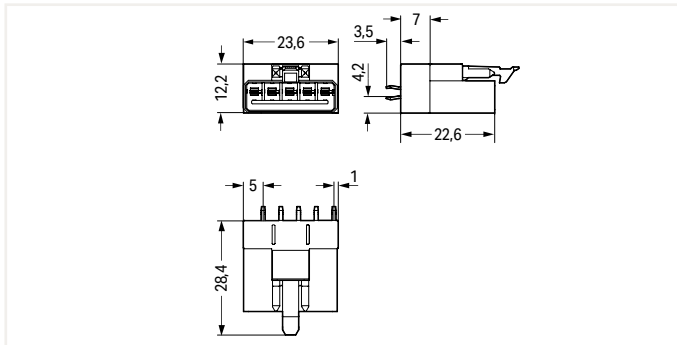
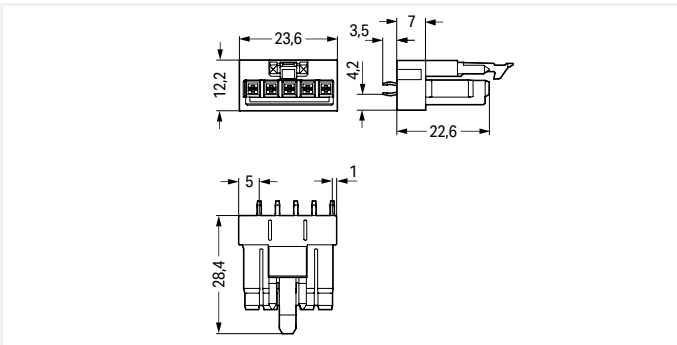
Color	Coding	Marking	Item No.	PU
● gray	B	1 2 3 4 5	890-855	50
● light green	B	1 2 3 4 5	890-875	50
● pink	B	1 2 3 4 5	890-895	50

**DALI, Lighting Management**

Color	Coding	Marking	Item No.	PU
● blue	I	N ⊕ L - +	890-3105	50

**DALI, Lighting Management**

Color	Coding	Marking	Item No.	PU
● blue	I	N ⊕ L - +	890-3115	50



PU = Packaging Unit; SPU = Subpackaging Unit; Dimensions in mm

# Pluggable PCB Connector ▶ WINSTA® MINI ▶ 890 Series

## Pole No.: 5

angled ▶ Female connector/socket

angled ▶ Male connector/plug



890-805/011-000

890-815/011-000

**General mains applications**

Color	Coding	Marking	Item No.	PU
● black	A	N ⊕ 1 2 3	890-805/011-000	50
○ white	A	N ⊕ 1 2 3	890-825/011-000	50

**Measurement and regulation technology**

Color	Coding	Marking	Item No.	PU
● gray	B	1 2 3 4 5	890-845/011-000	50
● light green	B	1 2 3 4 5	890-865/011-000	50
● pink	B	1 2 3 4 5	890-885/011-000	50

**DALI, Lighting Management**

Color	Coding	Marking	Item No.	PU
● blue	I	N ⊕ L - +	890-3105/011-000	50

**General mains applications**

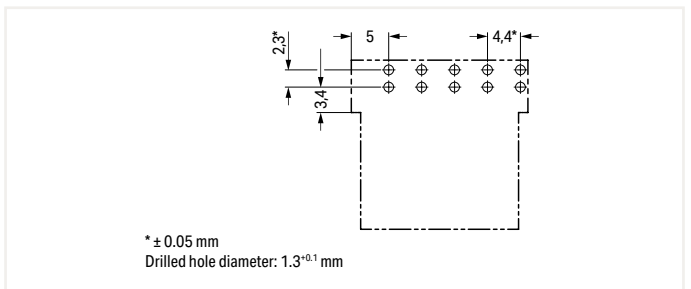
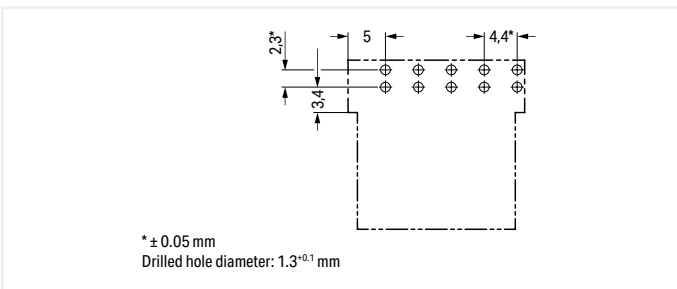
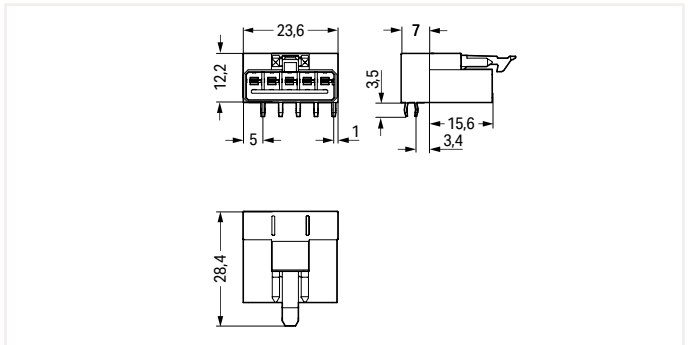
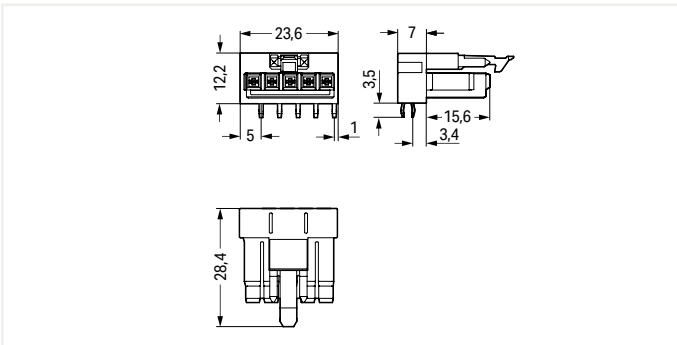
Color	Coding	Marking	Item No.	PU
● black	A	N ⊕ 1 2 3	890-815/011-000	50
○ white	A	N ⊕ 1 2 3	890-835/011-000	50

**Measurement and regulation technology**

Color	Coding	Marking	Item No.	PU
● gray	B	1 2 3 4 5	890-855/011-000	50
● light green	B	1 2 3 4 5	890-875/011-000	50
● pink	B	1 2 3 4 5	890-895/011-000	50

**DALI, Lighting Management**

Color	Coding	Marking	Item No.	PU
● blue	I	N ⊕ L - +	890-3115/011-000	50



PU = Packaging Unit; SPU = Subpackaging Unit; Dimensions in mm



## Distribution Connector ▶ WINSTA® MINI ▶ 890 Series

### Pole No.: 5 ▶ Protection class: IP20; IP40 when mated

1



- Protected against mismatching and maintenance-free
- Low profile with 4.4 mm pole spacing

Electrical Data						
Coding	A			I		
Ratings per	IEC/EN 60664-1			IEC/EN 60664-1		
Overvoltage category	III	III	II	III	III	II
Pollution degree	3	2	2	3	2	2
Rated voltage	400 V	-	-	400 V	-	-
Rated impulse voltage	6 kV	-	-	6 kV	-	-
Rated current	13 A	-	-	16 A	-	-
Approbations per	UL 1977			UL 1977		
Rated voltage	600 V			600 V		
Rated current	12 A			12 A		

Material Data	
Insulation material	Polyamide (PA66)
Contact material	Copper or copper alloy (surface-treated)

Mechanical Data	
Number of mating cycles	200, without resistive load
Mating force of a plug-in connection	Approx. 20 ... 70 N (depending on pole number)
Unmating force of a plug-in connection	Unlocked: approx. 20 ... 70 N (depending on pole number)
Retention force of a plug-in connection	When locked: > 80 N
Protection type	IP20
Note on protection type	IP40 when mated

Environmental Requirements	
Processing temperature	-5 ... +40 °C
Continuous operating temperature	-35 ... +85 °C
Note on continuous operating temperature	Insulating parts for temperatures ≤ 105 °C

All WINSTA® components are 100% protected against mismatching when:

- plugging different numbers of poles
- plugging while rotated 180
- plugging while laterally staggered
- plugging one pole

At least one snap-in connector **without** a locking lever is required on one side when connecting two lights directly via intermediate coupler.

See technical section for further information

For approvals and corresponding ratings, visit [www.wago.com](http://www.wago.com)

## Distribution Connector ▶ WINSTA® MINI ▶ 890 Series

Pole No.: 5 ▶ Protection class: IP20; IP40 when mated

Intermediate coupler



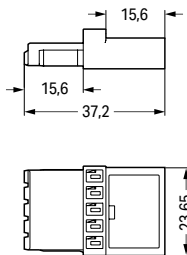
890-605

### General mains applications

Color	Coding	com_Aufdruck	Item No.	PU
● black	A		890-605	50
○ white	A		890-655	50

### DALI, Lighting Management

Color	Coding	com_Aufdruck	Item No.	PU
● blue	I		890-619	50



PU = Packaging Unit; SPU = Subpackaging Unit; Dimensions in mm

# Distribution Connector ▶ WINSTA® MINI ▶ 890 Series

Pole No.: 5 ▶ Protection class: IP20; IP40 when mated

T-distribution connector ▶ Number of locking levers: 2

T-distribution connector ▶ Number of locking levers: 3 ▶ for flying leads

1



890-621



890-622

**General mains applications**

Color	Coding	Marking	Item No.	PU
● black	A	N ⊕ 1 2 3	890-621	25
○ white	A	N ⊕ 1 2 3	890-671	25

**DALI, Lighting Management**

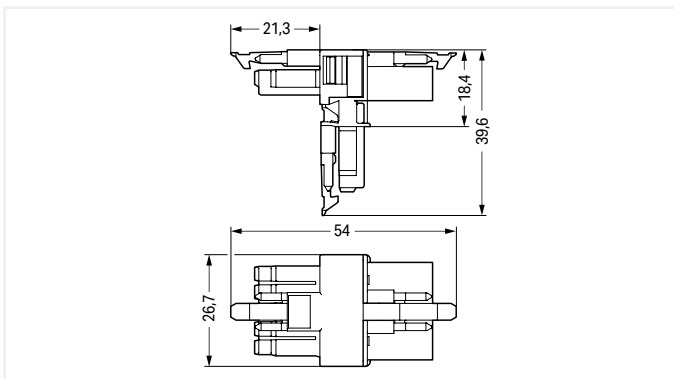
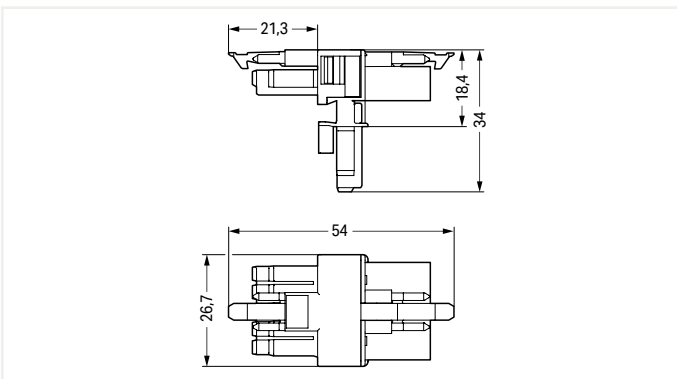
Color	Coding	Marking	Item No.	PU
● blue	I	N ⊕ L - +	890-617	25

**General mains applications**

Color	Coding	Marking	Item No.	PU
● black	A	N ⊕ 1 2 3	890-622	25
○ white	A	N ⊕ 1 2 3	890-672	25

**DALI, Lighting Management**

Color	Coding	Marking	Item No.	PU
● blue	I	N ⊕ L - +	890-620	25



## Distribution Connector ▶ WINSTA® MINI ▶ 890 Series

### Pole No.: 5 ▶ Protection class: IP20; IP40 when mated

h-distribution connector (unidirectional) ▶ Number of locking levers: 2

h-distribution connector (unidirectional) ▶ Number of locking levers: 3 ▶ for flying leads



890-929



890-930

#### General mains applications

Color	Coding	Marking	Item No.	PU
● black	A	N ⊕ 1 2 3	890-929	50
○ white	A	N ⊕ 1 2 3	890-979	50

#### DALI, Lighting Management

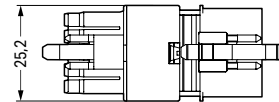
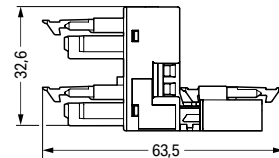
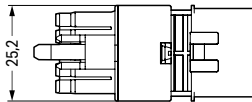
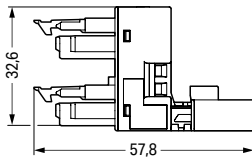
Color	Coding	Marking	Item No.	PU
● blue	I	N ⊕ L - +	890-982	50

#### General mains applications

Color	Coding	Marking	Item No.	PU
● black	A	N ⊕ 1 2 3	890-930	50
○ white	A	N ⊕ 1 2 3	890-980	50

#### DALI, Lighting Management

Color	Coding	Marking	Item No.	PU
● blue	I	N ⊕ L - +	890-983	50



#### Accessories; for all products on this page



Mounting plate; for distribution connectors (except T-distribution connectors); 5-pole

Color	Item No.	PU (SPU)
● black	890-625	50 (50)
○ white	890-675	50 (50)

PU = Packaging Unit; SPU = Subpackaging Unit; Dimensions in mm



## Cable Assembly ▶ WINSTA® MINI ▶ 891 Series

Pole No.: 5 ▶ Fire class per EN 50575: E<sub>ca</sub>

1



- Protected against mismatching and maintenance-free
- Low profile with 4.4 mm pole spacing

## Electrical Data

Coding	A			B			B;I		
Wire cross-section	1.5 mm <sup>2</sup>			1 mm <sup>2</sup>			1.5 mm <sup>2</sup>		
Ratings per	IEC/EN 60664-1			IEC/EN 60664-1			IEC/EN 60664-1		
Overtoltage category	III	III	II	III	III	II	III	III	II
Pollution degree	3	2	2	3	2	2	3	2	2
Rated voltage	400 V	-	-	400 V	-	-	400 V	-	-
Rated impulse voltage	6 kV	-	-	6 kV	-	-	6 kV	-	-
Rated current	13 A	-	-	10 A	-	-	16 A	-	-

## Material Data

Insulation material	Polyamide (PA66)
Contact material	Copper or copper alloy (surface-treated)
Fire class per EN 50575	E <sub>ca</sub>

## Mechanical Data

Number of mating cycles	200, without resistive load
Mating force of a plug-in connection	approx. 20 ... 70 N (depending on pole number)
Unmating force of a plug-in connection	when unlocked: approx. 20 ... 70 N (depending on pole number)
Retention force of a plug-in connection	when locked: > 80N

## Environmental Requirements

Processing temperature	-5 ... +40 °C
Continuous operating temperature	-35 ... +85 °C
Note on continuous operating temperature	PVC cable for temperatures ≤ 70 °C (including halogen-free) Insulating parts for temperatures ≤ 105 °C

All WINSTA® components are 100% protected against mismatching when:

- a.) plugging different numbers of poles
- b.) plugging while rotated 180
- c.) plugging while laterally staggered
- d.) plugging one pole

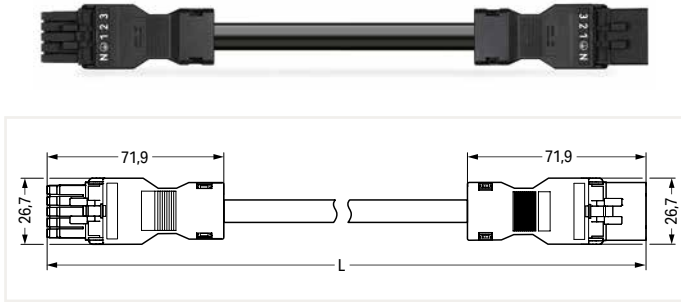
Cables with a different fire class can be found in the eShop.

See technical section for further information

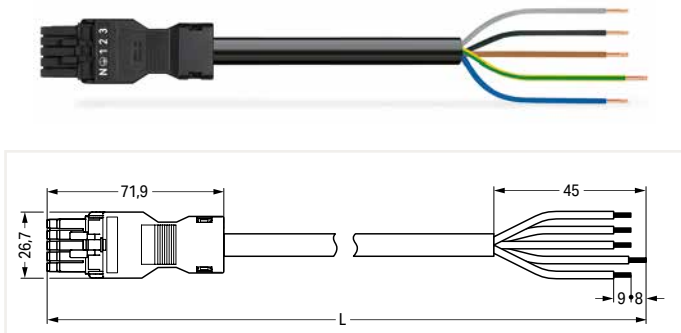
For approvals and corresponding ratings, visit [www.wago.com](http://www.wago.com)

### Cable Assembly ▶ WINSTA® MINI ▶ 891 Series

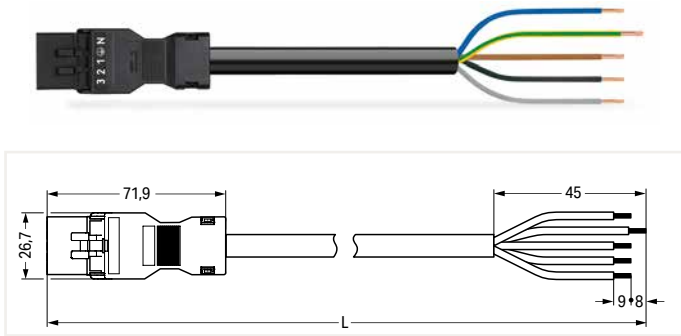
Pole No.: 5 ▶ Fire class per EN 50575: E<sub>ca</sub> ▶ Coding: A ▶ 1.5 mm<sup>2</sup> ▶ Marking: N ⊕ 1 2 3 ▶ PVC ▶ Sheathed cable diameter: 9.3 ... 11.6 mm ▶ H05VV-F 5G1.5 ▶ General mains applications



Interconnecting cable ▶ Socket - Plug ▶ Protection class: IP20; IP40 when mated			
Total length	Connector color/Strain relief color		PU
	black/black	white/white	
1 m	891-8995/006-101	891-8995/006-102	1
2 m	891-8995/006-201	891-8995/006-202	1
3 m	891-8995/006-301	891-8995/006-302	1
4 m	891-8995/006-401	891-8995/006-402	1
5 m	891-8995/006-501	891-8995/006-502	1
6 m	891-8995/006-601	891-8995/006-602	1
7 m	891-8995/006-701	891-8995/006-702	1
8 m	891-8995/006-801	891-8995/006-802	1



Connecting cable ▶ Socket - Free end ▶ Protection class: IP40			
Total length	Connector color/Strain relief color		PU
	black/black	white/white	
1 m	891-8995/106-101	891-8995/106-102	1
2 m	891-8995/106-201	891-8995/106-202	1
3 m	891-8995/106-301	891-8995/106-302	1
4 m	891-8995/106-401	891-8995/106-402	1
5 m	891-8995/106-501	891-8995/106-502	1
6 m	891-8995/106-601	891-8995/106-602	1
7 m	891-8995/106-701	891-8995/106-702	1
8 m	891-8995/106-801	891-8995/106-802	1



Connecting cable ▶ Plug - Free end ▶ Protection class: IP20; IP40 when mated			
Total length	Connector color/Strain relief color		PU
	black/black	white/white	
1 m	891-8995/206-101	891-8995/206-102	1
2 m	891-8995/206-201	891-8995/206-202	1
3 m	891-8995/206-301	891-8995/206-302	1
4 m	891-8995/206-401	891-8995/206-402	1
5 m	891-8995/206-501	891-8995/206-502	1
6 m	891-8995/206-601	891-8995/206-602	1
7 m	891-8995/206-701	891-8995/206-702	1
8 m	891-8995/206-801	891-8995/206-802	1

Accessories; for all products on this page



Locking lever; for flying leads; manually operated		
Color	Item No.	PU (SPU)
● black	890-101	100 (50)
○ white	890-121	100 (50)



Locking lever; for flying leads; tool operated		
Color	Item No.	PU (SPU)
● black	890-111	100 (50)
○ white	890-131	100 (50)



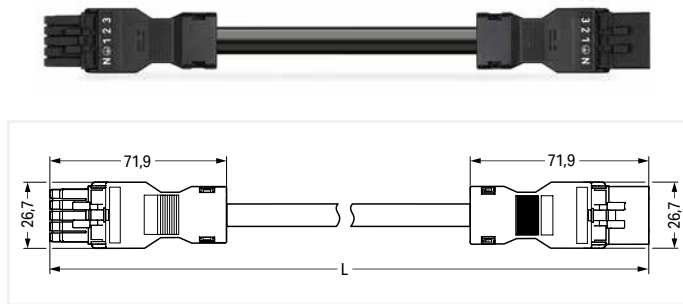
Mounting carrier; for flying leads; 2- to 5-pole		
Color	Item No.	PU
● black	890-310	100
○ white	890-311	100

PU = Packaging Unit; SPU = Subpackaging Unit; Dimensions in mm

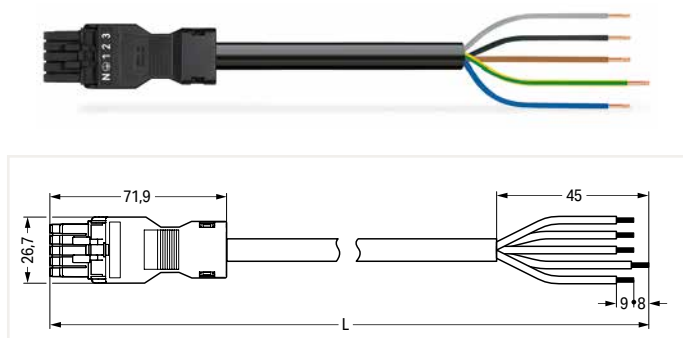
# Cable Assembly ▶ WINSTA® MINI ▶ 891 Series

Pole No.: 5 ▶ Fire class per EN 50575: E<sub>ca</sub> ▶ Coding: A ▶ 1.5 mm<sup>2</sup> ▶ Marking: N ⊕ 1 2 3 ▶ Halogen-free ▶ Sheathed cable diameter: 9.3 ... 11.6 mm ▶ H05Z1Z1-F 5G1.5 ▶ General mains applications

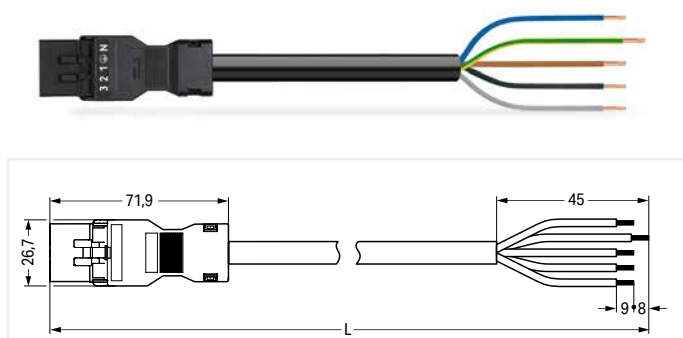
1



Interconnecting cable ▶ Socket - Plug ▶ Protection class: IP20; IP40 when mated			
Total length	Connector color/Strain relief color		PU
	black/black	white/white	
1 m	891-8995/016-101	891-8995/016-102	1
2 m	891-8995/016-201	891-8995/016-202	1
3 m	891-8995/016-301	891-8995/016-302	1
4 m	891-8995/016-401	891-8995/016-402	1
5 m	891-8995/016-501	891-8995/016-502	1
6 m	891-8995/016-601	891-8995/016-602	1
7 m	891-8995/016-701	891-8995/016-702	1
8 m	891-8995/016-801	891-8995/016-802	1



Connecting cable ▶ Socket - Free end ▶ Protection class: IP40			
Total length	Connector color/Strain relief color		PU
	black/black	white/white	
1 m	891-8995/116-101	891-8995/116-102	1
2 m	891-8995/116-201	891-8995/116-202	1
3 m	891-8995/116-301	891-8995/116-302	1
4 m	891-8995/116-401	891-8995/116-402	1
5 m	891-8995/116-501	891-8995/116-502	1
6 m	891-8995/116-601	891-8995/116-602	1
7 m	891-8995/116-701	891-8995/116-702	1
8 m	891-8995/116-801	891-8995/116-802	1



Connecting cable ▶ Plug - Free end ▶ Protection class: IP20; IP40 when mated			
Total length	Connector color/Strain relief color		PU
	black/black	white/white	
1 m	891-8995/216-101	891-8995/216-102	1
2 m	891-8995/216-201	891-8995/216-202	1
3 m	891-8995/216-301	891-8995/216-302	1
4 m	891-8995/216-401	891-8995/216-402	1
5 m	891-8995/216-501	891-8995/216-502	1
6 m	891-8995/216-601	891-8995/216-602	1
7 m	891-8995/216-701	891-8995/216-702	1
8 m	891-8995/216-801	891-8995/216-802	1

Accessories; for all products on this page



Locking lever; for flying leads; manually operated		
Color	Item No.	PU (SPU)
● black	890-101	100 (50)
○ white	890-121	100 (50)



Locking lever; for flying leads; tool operated		
Color	Item No.	PU (SPU)
● black	890-111	100 (50)
○ white	890-131	100 (50)

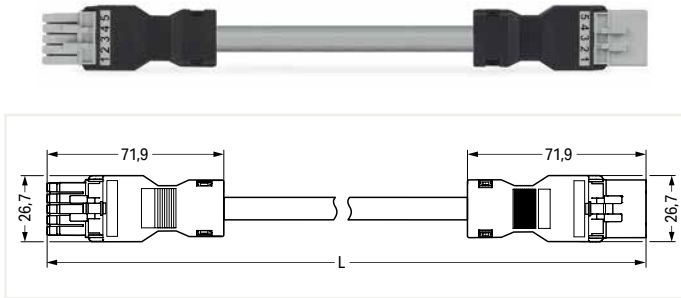


Mounting carrier; for flying leads; 2- to 5-pole		
Color	Item No.	PU
● black	890-310	100
○ white	890-311	100

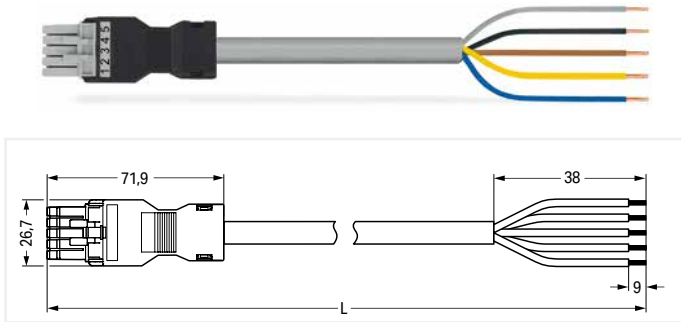
PU = Packaging Unit; SPU = Subpackaging Unit; Dimensions in mm

### Cable Assembly ▶ WINSTA® MINI ▶ 891 Series

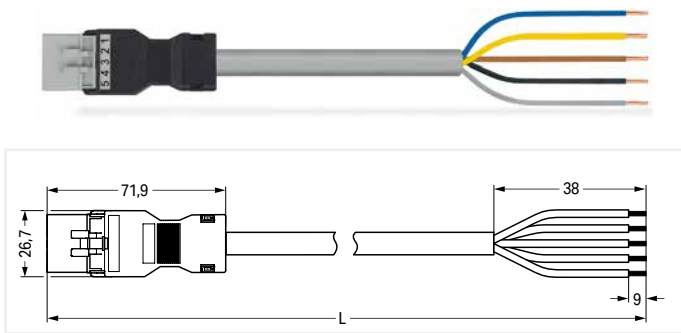
Pole No.: 5 ▶ Fire class per EN 50575: E<sub>ca</sub> ▶ Coding: B ▶ 1 mm<sup>2</sup> ▶ Marking: 1 2 3 4 5 ▶ PVC ▶ Sheathed cable diameter: 7.8 ... 9.3 mm ▶ Control line 5 x 1 ▶ Measurement and regulation technology



Interconnecting cable ▶ Socket - Plug ▶ Protection class: IP20; IP40 when mated				
Total length	Connector color/Strain relief color			PU
	gray/black	light green/black	pink/black	
1 m	891-8995/005-103	891-8995/005-105	891-8995/005-107	1
2 m	891-8995/005-203	891-8995/005-205	891-8995/005-207	1
3 m	891-8995/005-303	891-8995/005-305	891-8995/005-307	1
4 m	891-8995/005-403	891-8995/005-405	891-8995/005-407	1
5 m	891-8995/005-503	891-8995/005-505	891-8995/005-507	1
6 m	891-8995/005-603	891-8995/005-605	891-8995/005-607	1
7 m	891-8995/005-703	891-8995/005-705	891-8995/005-707	1
8 m	891-8995/005-803	891-8995/005-805	891-8995/005-807	1



Connecting cable ▶ Socket - Free end ▶ Protection class: IP40				
Total length	Connector color/Strain relief color			PU
	gray/black	light green/black	pink/black	
1 m	891-8995/105-103	891-8995/105-105	891-8995/105-107	1
2 m	891-8995/105-203	891-8995/105-205	891-8995/105-207	1
3 m	891-8995/105-303	891-8995/105-305	891-8995/105-307	1
4 m	891-8995/105-403	891-8995/105-405	891-8995/105-407	1
5 m	891-8995/105-503	891-8995/105-505	891-8995/105-507	1
6 m	891-8995/105-603	891-8995/105-605	891-8995/105-607	1
7 m	891-8995/105-703	891-8995/105-705	891-8995/105-707	1
8 m	891-8995/105-803	891-8995/105-805	891-8995/105-807	1



Connecting cable ▶ Plug - Free end ▶ Protection class: IP20; IP40 when mated				
Total length	Connector color/Strain relief color			PU
	gray/black	light green/black	pink/black	
1 m	891-8995/205-103	891-8995/205-105	891-8995/205-107	1
2 m	891-8995/205-203	891-8995/205-205	891-8995/205-207	1
3 m	891-8995/205-303	891-8995/205-305	891-8995/205-307	1
4 m	891-8995/205-403	891-8995/205-405	891-8995/205-407	1
5 m	891-8995/205-503	891-8995/205-505	891-8995/205-507	1
6 m	891-8995/205-603	891-8995/205-605	891-8995/205-607	1
7 m	891-8995/205-703	891-8995/205-705	891-8995/205-707	1
8 m	891-8995/205-803	891-8995/205-805	891-8995/205-807	1

Accessories; for all products on this page



Locking lever; for flying leads; manually operated			
Color	Item No.	PU (SPU)	
● black	890-101	100 (50)	
○ white	890-121	100 (50)	



Locking lever; for flying leads; tool operated			
Color	Item No.	PU (SPU)	
● black	890-111	100 (50)	
○ white	890-131	100 (50)	



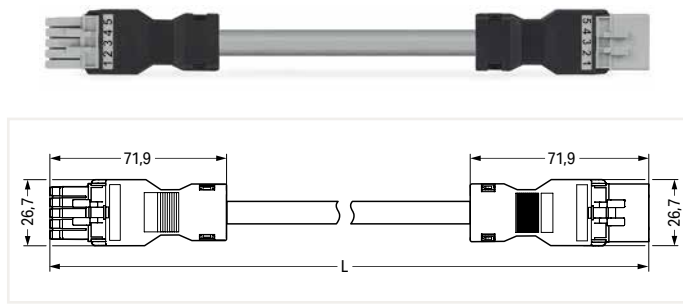
Mounting carrier; for flying leads; 2- to 5-pole			
Color	Item No.	PU	
● black	890-310	100	
○ white	890-311	100	

PU = Packaging Unit; SPU = Subpackaging Unit; Dimensions in mm

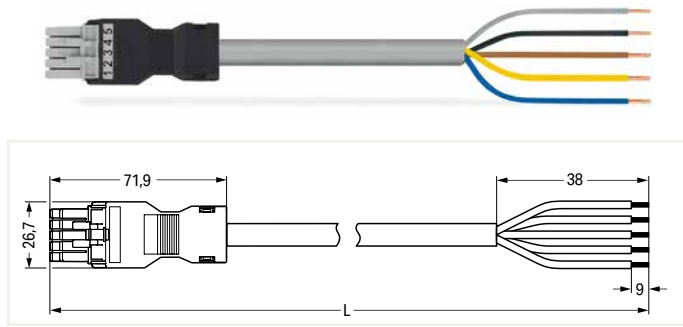
# Cable Assembly ▶ WINSTA® MINI ▶ 891 Series

Pole No.: 5 ▶ Fire class per EN 50575: E<sub>Ca</sub> ▶ Coding: B ▶ 1.5 mm<sup>2</sup> ▶ Marking: 1 2 3 4 5 ▶ PVC ▶ Sheathed cable diameter: 9.3 ... 11.6 mm ▶ Control line 5 x 1.5 ▶ Measurement and regulation technology

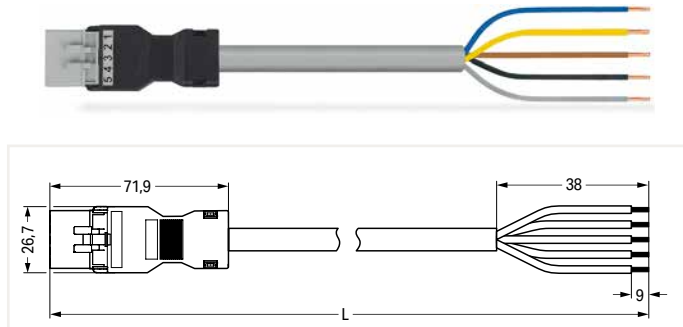
1



Interconnecting cable ▶ Socket - Plug ▶ Protection class: IP20; IP40 when mated				
Total length	Connector color/Strain relief color			PU
	gray/black	light green/black	pink/black	
1 m	891-8995/006-103	891-8995/006-105	891-8995/006-107	1
2 m	891-8995/006-203	891-8995/006-205	891-8995/006-207	1
3 m	891-8995/006-303	891-8995/006-305	891-8995/006-307	1
4 m	891-8995/006-403	891-8995/006-405	891-8995/006-407	1
5 m	891-8995/006-503	891-8995/006-505	891-8995/006-507	1
6 m	891-8995/006-603	891-8995/006-605	891-8995/006-607	1
7 m	891-8995/006-703	891-8995/006-705	891-8995/006-707	1
8 m	891-8995/006-803	891-8995/006-805	891-8995/006-807	1



Connecting cable ▶ - Free end ▶ Protection class: IP40				
Total length	Connector color/Strain relief color			PU
	gray/black	light green/black	pink/black	
1 m	891-8995/106-103	891-8995/106-105	891-8995/106-107	1
2 m	891-8995/106-203	891-8995/106-205	891-8995/106-207	1
3 m	891-8995/106-303	891-8995/106-305	891-8995/106-307	1
4 m	891-8995/106-403	891-8995/106-405	891-8995/106-407	1
5 m	891-8995/106-503	891-8995/106-505	891-8995/106-507	1
6 m	891-8995/106-603	891-8995/106-605	891-8995/106-607	1
7 m	891-8995/106-703	891-8995/106-705	891-8995/106-707	1
8 m	891-8995/106-803	891-8995/106-805	891-8995/106-807	1



Connecting cable ▶ Plug - Free end ▶ Protection class: IP20; IP40 when mated				
Total length	Connector color/Strain relief color			PU
	gray/black	light green/black	pink/black	
1 m	891-8995/206-103	891-8995/206-105	891-8995/206-107	1
2 m	891-8995/206-203	891-8995/206-205	891-8995/206-207	1
3 m	891-8995/206-303	891-8995/206-305	891-8995/206-307	1
4 m	891-8995/206-403	891-8995/206-405	891-8995/206-407	1
5 m	891-8995/206-503	891-8995/206-505	891-8995/206-507	1
6 m	891-8995/206-603	891-8995/206-605	891-8995/206-607	1
7 m	891-8995/206-703	891-8995/206-705	891-8995/206-707	1
8 m	891-8995/206-803	891-8995/206-805	891-8995/206-807	1

Accessories; for all products on this page



Locking lever; for flying leads; manually operated			
Color	Item No.	PU (SPU)	
● black	890-101	100 (50)	
○ white	890-121	100 (50)	



Locking lever; for flying leads; tool operated			
Color	Item No.	PU (SPU)	
● black	890-111	100 (50)	
○ white	890-131	100 (50)	

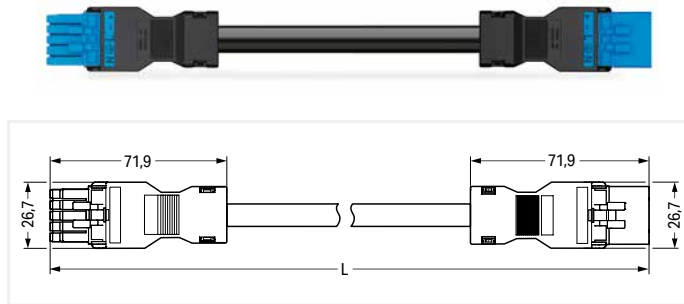


Mounting carrier; for flying leads; 2- to 5-pole			
Color	Item No.	PU	
● black	890-310	100	
○ white	890-311	100	

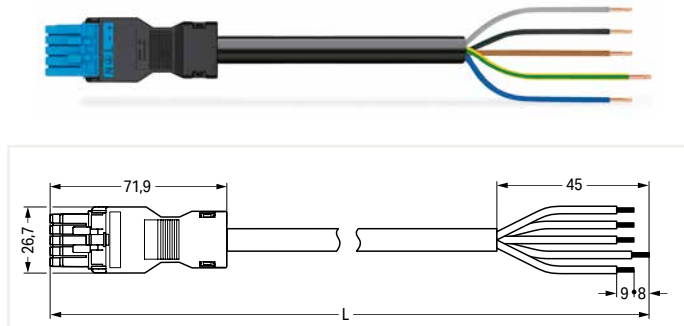
PU = Packaging Unit; SPU = Subpackaging Unit; Dimensions in mm

### Cable Assembly ▶ WINSTA® MINI ▶ 891 Series

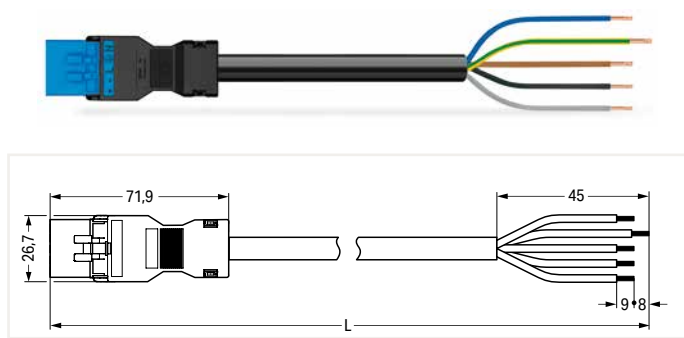
Pole No.: 5 ▶ Fire class per EN 50575: E<sub>ca</sub> ▶ Coding: I ▶ 1.5 mm<sup>2</sup> ▶ Marking: N ⊕ L - + ▶ PVC ▶ Sheathed cable diameter: 9.3 ... 11.6 mm ▶ H05VV-F 5G1.5 ▶ DALI, Lighting Management



Interconnecting cable ▶ Socket - Plug ▶ Protection class: IP20; IP40 when mated			
Total length	Connector color/Strain relief color		PU
	blue/black	blue/white	
1 m	891-8985/006-101	891-8985/006-102	1
2 m	891-8985/006-201	891-8985/006-202	1
3 m	891-8985/006-301	891-8985/006-302	1
4 m	891-8985/006-401	891-8985/006-402	1
5 m	891-8985/006-501	891-8985/006-502	1
6 m	891-8985/006-601	891-8985/006-602	1
7 m	891-8985/006-701	891-8985/006-702	1
8 m	891-8985/006-801	891-8985/006-802	1



Connecting cable ▶ Socket - Free end ▶ Protection class: IP40			
Total length	Connector color/Strain relief color		PU
	blue/black	blue/white	
1 m	891-8985/106-101	891-8985/106-102	1
2 m	891-8985/106-201	891-8985/106-202	1
3 m	891-8985/106-301	891-8985/106-302	1
4 m	891-8985/106-401	891-8985/106-402	1
5 m	891-8985/106-501	891-8985/106-502	1
6 m	891-8985/106-601	891-8985/106-602	1
7 m	891-8985/106-701	891-8985/106-702	1
8 m	891-8985/106-801	891-8985/106-802	1



Connecting cable ▶ Plug - Free end ▶ Protection class: IP20; IP40 when mated			
Total length	Connector color/Strain relief color		PU
	blue/black	blue/white	
1 m	891-8985/206-101	891-8985/206-102	1
2 m	891-8985/206-201	891-8985/206-202	1
3 m	891-8985/206-301	891-8985/206-302	1
4 m	891-8985/206-401	891-8985/206-402	1
5 m	891-8985/206-501	891-8985/206-502	1
6 m	891-8985/206-601	891-8985/206-602	1
7 m	891-8985/206-701	891-8985/206-702	1
8 m	891-8985/206-801	891-8985/206-802	1


Accessories; for all products on this page



Locking lever; for flying leads; manually operated		
Color	Item No.	PU (SPU)
● black	890-101	100 (50)
○ white	890-121	100 (50)



Locking lever; for flying leads; tool operated		
Color	Item No.	PU (SPU)
● black	890-111	100 (50)
○ white	890-131	100 (50)



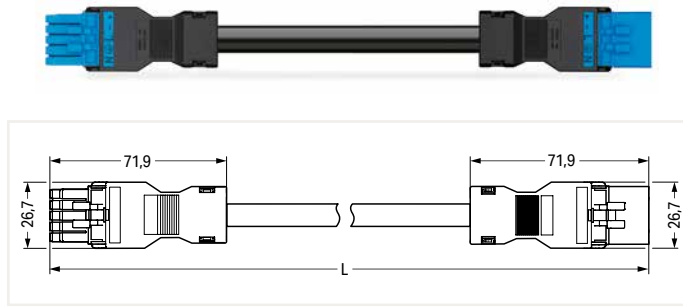
Mounting carrier; for flying leads; 2- to 5-pole		
Color	Item No.	PU
● black	890-310	100
○ white	890-311	100

PU = Packaging Unit; SPU = Subpackaging Unit; Dimensions in mm

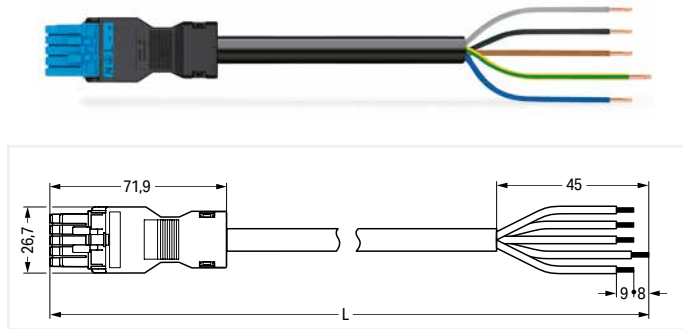
## Cable Assembly ▶ WINSTA® MINI ▶ 891 Series

Pole No.: 5 ▶ Fire class per EN 50575: E<sub>ca</sub> ▶ Coding: I ▶ 1.5 mm<sup>2</sup> ▶ Marking: N ⊕ L - + ▶ Halogen-free  
 ▶ Sheathed cable diameter: 9.3 ... 11.6 mm ▶ H05Z1Z1-F 5G1.5 ▶ DALI, Lighting Management

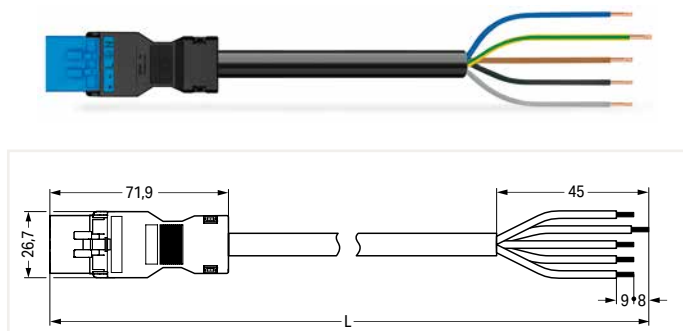
1



Interconnecting cable ▶ Socket - Plug ▶ Protection class: IP20; IP40 when mated			
Total length	Connector color/Strain relief color		PU
	blue/black	blue/white	
1 m	891-8985/016-101	891-8985/016-102	1
2 m	891-8985/016-201	891-8985/016-202	1
3 m	891-8985/016-301	891-8985/016-302	1
4 m	891-8985/016-401	891-8985/016-402	1
5 m	891-8985/016-501	891-8985/016-502	1
6 m	891-8985/016-601	891-8985/016-602	1
7 m	891-8985/016-701	891-8985/016-702	1
8 m	891-8985/016-801	891-8985/016-802	1



Connecting cable ▶ Socket - Free end ▶ Protection class: IP40			
Total length	Connector color/Strain relief color		PU
	blue/black	blue/white	
1 m	891-8985/116-101	891-8985/116-102	1
2 m	891-8985/116-201	891-8985/116-202	1
3 m	891-8985/116-301	891-8985/116-302	1
4 m	891-8985/116-401	891-8985/116-402	1
5 m	891-8985/116-501	891-8985/116-502	1
6 m	891-8985/116-601	891-8985/116-602	1
7 m	891-8985/116-701	891-8985/116-702	1
8 m	891-8985/116-801	891-8985/116-802	1



Connecting cable ▶ Plug - Free end ▶ Protection class: IP20; IP40 when mated			
Total length	Connector color/Strain relief color		PU
	blue/black	blue/white	
1 m	891-8985/216-101	891-8985/216-102	1
2 m	891-8985/216-201	891-8985/216-202	1
3 m	891-8985/216-301	891-8985/216-302	1
4 m	891-8985/216-401	891-8985/216-402	1
5 m	891-8985/216-501	891-8985/216-502	1
6 m	891-8985/216-601	891-8985/216-602	1
7 m	891-8985/216-701	891-8985/216-702	1
8 m	891-8985/216-801	891-8985/216-802	1

### Accessories; for all products on this page



Locking lever; for flying leads; manually operated		
Color	Item No.	PU (SPU)
● black	890-101	100 (50)
○ white	890-121	100 (50)



Locking lever; for flying leads; tool operated		
Color	Item No.	PU (SPU)
● black	890-111	100 (50)
○ white	890-131	100 (50)



Mounting carrier; for flying leads; 2- to 5-pole		
Color	Item No.	PU
● black	890-310	100
○ white	890-311	100

PU = Packaging Unit; SPU = Subpackaging Unit; Dimensions in mm