







Sensor/Actuator Boxes

Sensor/Actuator Boxes

- M8 and M12 sensor/actuator boxes
- Passive signal acquisition and output at the machine level
- Fully encapsulated

Sensor/Actuator Boxes

Contents

			Page	
	General Product Information		428	
	Item Number Key		429	
	Standards and Rated Conditions		429	
	Approvals		429	
	Interfaces and Types		430	
		Description	Item No.	
	M12 Sensor/Actuator Boxes with Cable Connection	M12 Sensor/Actuator Box; 4-way, 4-pole; 5 m connecting cable	757-244/000-005	432
		M12 Sensor/Actuator Box; 4-way, 4-pole; 10 m connecting cable	757-244/000-010	
		M12 Sensor/Actuator Box; 6-way, 4-pole; 5 m connecting cable	757-264/000-005	432
		M12 Sensor/Actuator Box; 6-way, 4-pole; 10 m connecting cable	757-264/000-010	
		M12 Sensor/Actuator Box; 8-way, 4-pole; 5 m connecting cable	757-284/000-005	433
		M12 Sensor/Actuator Box; 8-way, 4-pole; 10 m connecting cable	757-284/000-010	
		M12 Sensor/Actuator Box; 8-way, 4-pole; 25 m connecting cable	757-284/000-025	
		M12 Sensor/Actuator Box; 4-way, 5-pole; 5 m connecting cable	757-245/000-005	434
		M12 Sensor/Actuator Box; 4-way, 5-pole; 10 m connecting cable	757-245/000-010	
		M12 Sensor/Actuator Box; 6-way, 5-pole; 5 m connecting cable	757-265/000-005	434
		M12 Sensor/Actuator Box; 6-way, 5-pole; 10 m connecting cable	757-265/000-010	
		M12 Sensor/Actuator Box; 8-way, 5-pole; 5 m connecting cable	757-285/000-005	435
		M12 Sensor/Actuator Box; 8-way, 5-pole; 10 m connecting cable	757-285/000-010	
		M12 Sensor/Actuator Box; 8-way, 5-pole; 25 m connecting cable	757-285/000-025	
	M12 Sensor/Actuator Boxes with M23 Connector	M12 Sensor/Actuator Box; 4-way; 4-pole; M23 connector	757-144	436
		M12 Sensor/Actuator Box; 6-way; 4-pole; M23 connector	757-164	436
		M12 Sensor/Actuator Box; 8-way; 4-pole; M23 connector	757-184	437
		M12 Sensor/Actuator Box; 4-way; 5-pole; M23 connector	757-145	438
		M12 Sensor/Actuator Box; 6-way; 5-pole; M23 connector	757-165	438
		M12 Sensor/Actuator Box; 8-way; 5-pole; M23 connector	757-185	439
		M12 Sensor/Actuator Box; 8-way; 5-pole; M23 connector; without LED	757-185/100-000	
	M8 Sensor/Actuator Boxes with Cable Connection	M8 Sensor/Actuator Box; 4-way, 3-pole; 2 m connecting cable	757-443/000-002	440
		M8 Sensor/Actuator Box; 4-way, 3-pole; 5 m connecting cable	757-443/000-005	
		M8 Sensor/Actuator Box; 4-way, 3-pole; 10 m connecting cable	757-443/000-010	
		M8 Sensor/Actuator Box; 6-way, 3-pole; 5 m connecting cable	757-463/000-005	440
		M8 Sensor/Actuator Box; 6-way, 3-pole; 10 m connecting cable	757-463/000-010	
		M8 Sensor/Actuator Box; 8-way, 3-pole; 5 m connecting cable	757-483/000-005	441
		M8 Sensor/Actuator Box; 8-way, 3-pole; 10 m connecting cable	757-483/000-010	
		M8 Sensor/Actuator Box; 10-way, 3-pole; 5 m connecting cable	757-403/000-005	441
		M8 Sensor/Actuator Box; 10-way, 3-pole; 10 m connecting cable	757-403/000-010	
	M8 Sensor/Actuator Boxes with M16 Connector	M8 Sensor/Actuator Box; 4-way; 3-pole; M16 connector	757-343	442
		M8 Sensor/Actuator Box; 6-way; 3-pole; M16 connector	757-363	442
		M8 Sensor/Actuator Box; 8-way; 3-pole; M16 connector	757-383	443
		M8 Sensor/Actuator Box; 10-way; 3-pole; M16 connector	757-303	443
	Accessories			444
	Marking cards, marking strips, protective caps, spacer modules, interconnecting cables			

Sensor/Actuator Boxes

General Product Information

For Signal Acquisition at the Machine Level

Passive M8/M12 sensor/actuator boxes are placed close to the process and acquire signals at the machine level. They can be used under very harsh environmental conditions and establish the connection between sensors/actuators and the controller via molded or detachable cables. Use of standardized pluggable connections supports sensor and actuator plug & play, while the use of trunk cables replaces the individual wiring of I/O signals to automation components in the control cabinet. Cabling is well-organized and minimized.

Signal Acquisition in Exceptionally Harsh Conditions

WAGO's sensor/actuator boxes with molded cable (72 hours at 1 m water depth) have an extremely robust design and meet both IP67 and IP68 protection standards. This design makes them ideal for applications where signals must be recorded in extreme environments (temperature, shock, vibration) without a control cabinet. They're also excellent alternatives when the use of an active IP67 I/O system would not be cost-effective due to a low signal count or the simple signal conditions (only digital signal acquisition/output).

Plug-&-Play Connection Technology

The IP67 sensor/actuator boxes with a removable connecting cable (M16 or M23 pluggable connector) are ideal for areas where frequent easy disconnection and reconnection are required (e.g., transport, modification, service).

Fixed Trunk Cable

The IP68 sensor/actuator boxes with molded cables are preferred when challenging cable paths do not allow the use of preassembled M16/M23 cables.

Extreme Mechanical Performance

A system/machine is exposed to severe mechanical and thermal influences. It is important to process its signals despite severe vibrations and shocks. The sensor/actuator boxes are used at the machine level. Full encapsulation safeguards system operation, so that even extreme vibration and temperature loads do not degrade signal acquisition and power supply via the connecting cable to the controller or other automation components located in the non-critical control cabinet area.

Flexible Assembly

The sensor/actuator boxes can be mounted directly on the machine. Extensive engineering ensures compliance with standardized specifications from CNOMO guidelines regarding the spacing of assembly drill holes that are often used in passive distribution boxes or sensor/actuator boxes. An optional adapter is available that can be used to mount two modules seamlessly side by side. This has the advantage of maintaining a defined distance for proper routing of the sensor/actuator cables and of avoiding contamination points.

Advantages:

- Rugged, simple and compact extension for IP20 automation components
 - For stricter requirements on environmental conditions
 - For plug-and-play connector technology when needed
 - For simpler cable installation in the form of trunk cables
- High-quality PUR connection cables (drag chains compatible, halogen-free)
- Fully encapsulated (resistance and leak-proof)
- Flange sockets (metal design)
- Surrounding air temperature (operation): -25 ... +80°C
- Status LEDs

Sensor/Actuator Boxes

Item Number Key

Explanation of item number key's components

Series	
Item No.: 757-abc/x00-0yy	
a: Design	
1: M12 sensor/actuator box with M23 connector	x00: Status LEDs
2: M12 sensor/actuator box with cable connector	100: Without status LEDs
3: M8 sensor/actuator box with M16 connector	
4: M8 sensor/actuator box with cable connector	
b: Number of M8/M12 connectors	Oyy: Length of connecting cable
4: 4 ea.	002: 2 m
6: 6 ea.	005: 5 m
8: 8 ea.	010: 10 m
0: 10 ea.	025: 25 m
c: Pole number	
3: 3-pole	
4: 4-pole	
5: 5-pole	

Standards and Rated Conditions

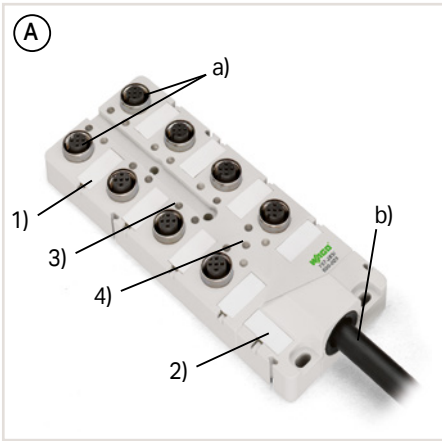
General Specifications	
Electrical Data	
Contact resistance (max.)	10 mΩ
Supply voltage	10 ... 30 VDC
Current carrying capacity (signal connections)	2 A
Current carrying capacity (supply connections)	9 A (M12) or 6 A (M8)
Signal characteristic	PNP
Mechanical Data	
Protection type	
Sensor/actuator boxes with cable connection	IP68 (72 hours at 1 m water depth)
Sensor/actuator boxes with M16/M23 connection	IP67
Surrounding air temperature (operation)	-25 ... +80 °C
Mounting	Screw mount
Mounting position	Any
Vibration resistance	5g per IEC 60068-2-6
Shock resistance	49g per IEC 60068-2-27
Material Data	
Housing material	PA 66 (UL 94 V0); RAL 7035; silicon and halogen free
Encapsulation	Fully encapsulated with conformal coating (UL 94 V0)
Connecting cable	Suitable for drag chains

Approvals

Overview of the approvals in the item comparison in Section 11, Technical Section, or online at www.wago.com



Sensor/Actuator Boxes Interfaces and Types



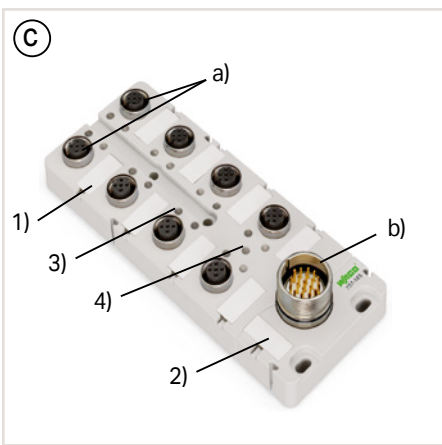
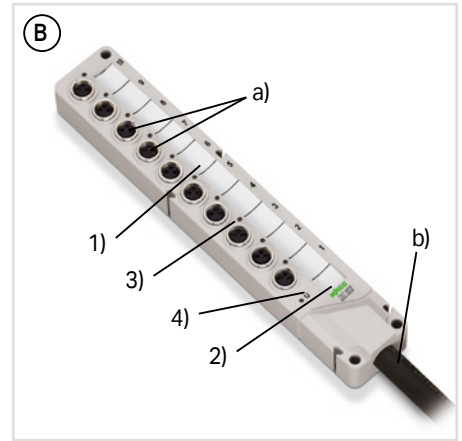
- (1) Sensor/actuator marking
- (2) Module marking
- (3) LED status indicator (by channel), yellow
- (4) LED operating indicator module, green

Housing design (A)

- M12 sensor/actuator box with cable connection
- Sensor/actuator M12 sockets (a)
- Connection technology (trunk cable): Fixed connecting cable (b)

Housing design (B)

- M8 sensor/actuator box with cable connection
- Sensor/actuator M8 sockets (a)
- Connection technology (trunk cable): Fixed connecting cable (b)

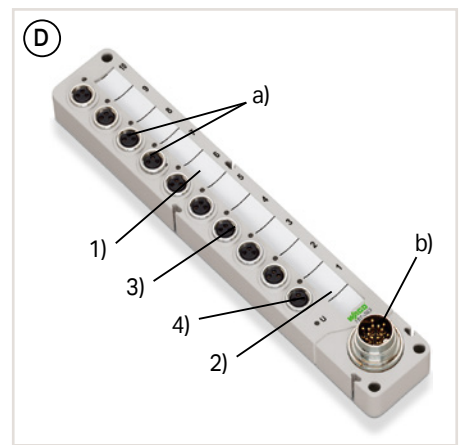


Housing design (C)

- M12 sensor/actuator box with M23 connector
- Sensor/actuator connections M12 (a)
- Connection technology (trunk cable): M23 plug (b)

Housing design (D)

- M8 sensor/actuator box with M16 connector
- Sensor/actuator connections M8 (a)
- Connection technology (trunk cable): M16 plug (b)

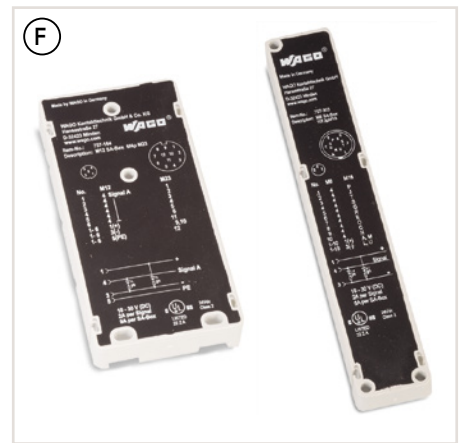


Spacer module (E)

- Optional accessory
- For seamless assembly of two side-by-side sensor/actuator boxes
- Defined distance for proper cable connection
- Covers contamination points
- W x H x D (mm):
 - 10-way: 20 x 16 x 175
 - 8-way: 20 x 16 x 152
 - 6-way: 20 x 16 x 123
 - 4-way: 20 x 16 x 117

Protection class (F)

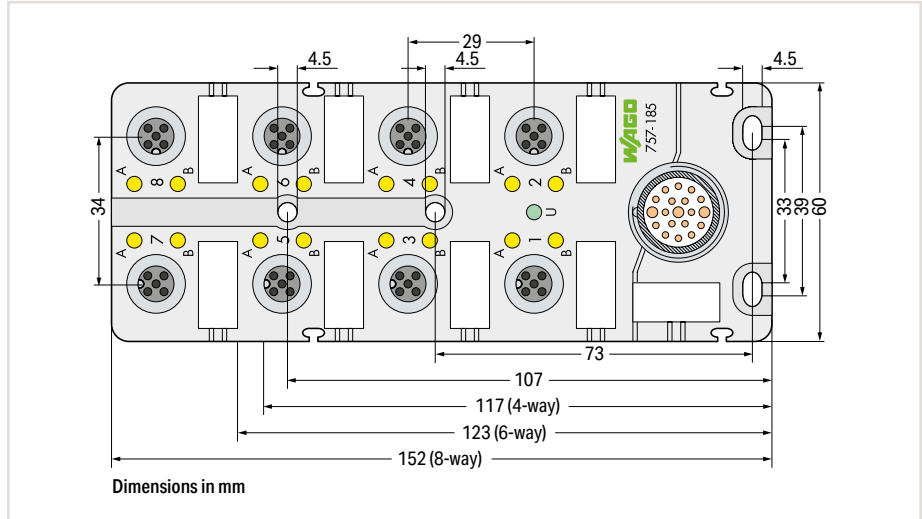
- All modules are fully encapsulated
- IP67/68 protection class
- Printing on back of module details pin assignment



Sensor/Actuator Boxes Interfaces and Types

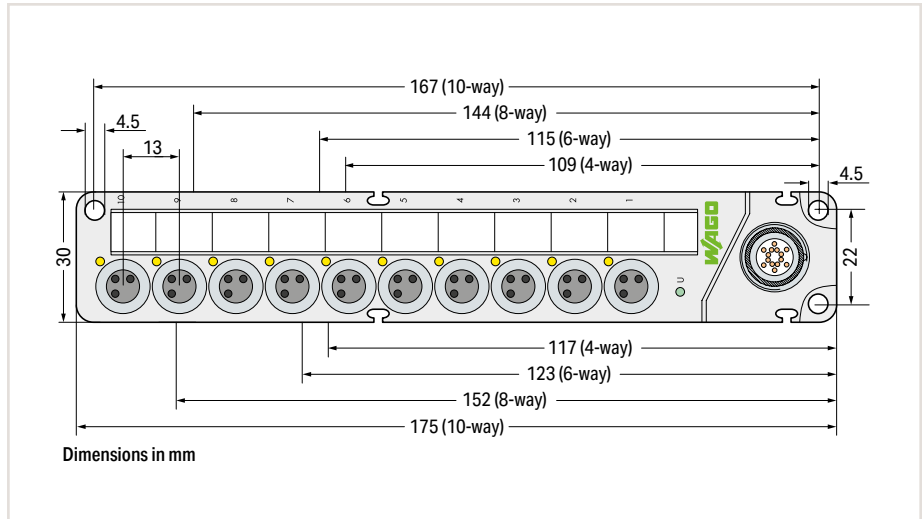
Dimensions and Mounting Dimensions of M12 Sensor/Actuator Boxes

The dimensions also apply to M12 sensor/actuator boxes with cable connection.



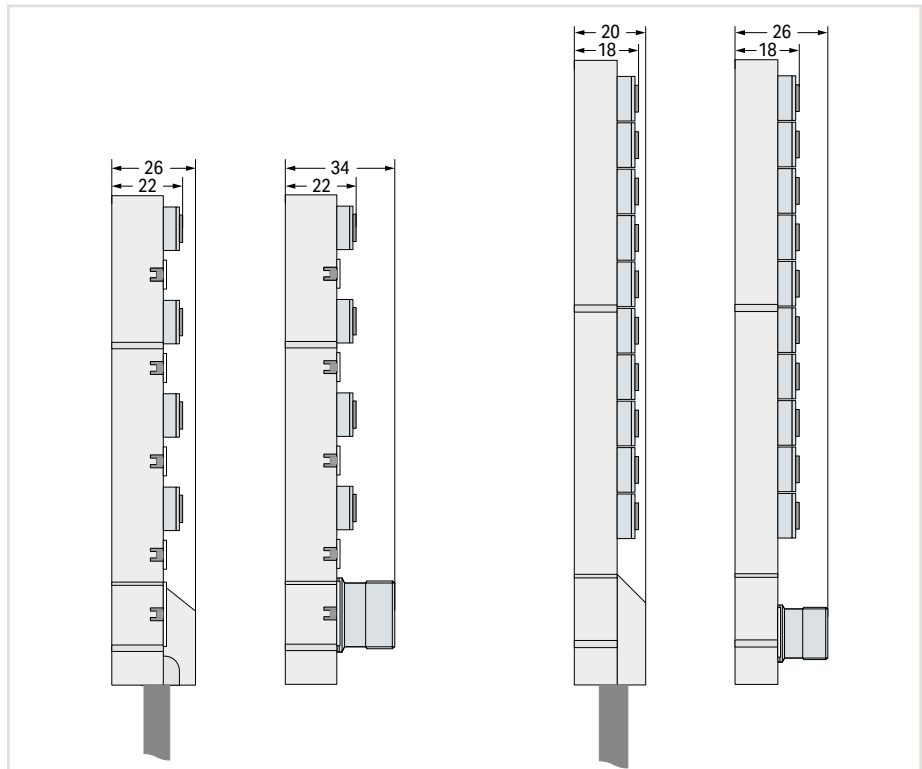
Dimensions and Mounting Dimensions of M8 Sensor/Actuator Boxes

The dimensions also apply to M8 sensor/actuator boxes with cable connection.



Dimensions:

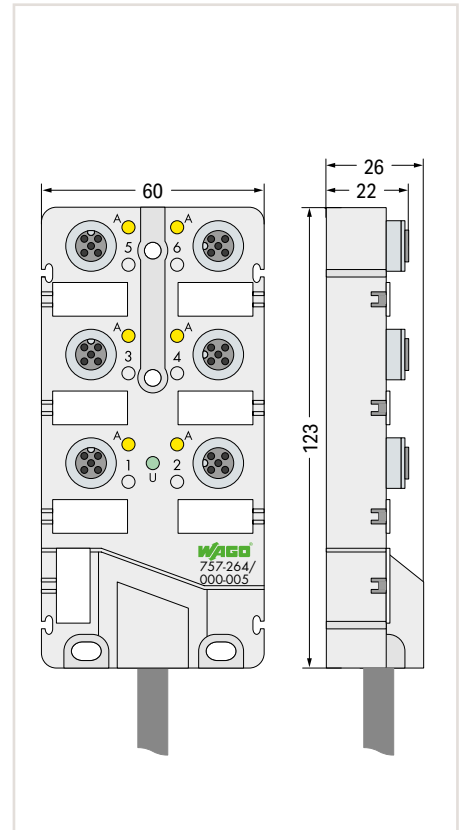
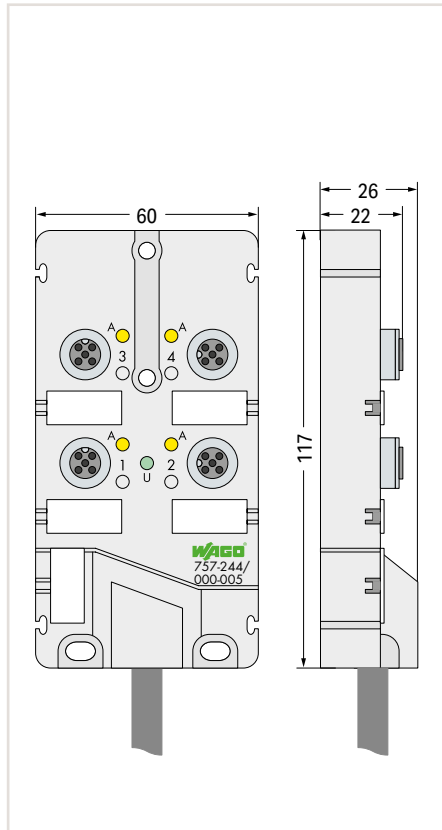
Depth of M12 sensor/actuator boxes or M8 sensor/actuator boxes



M12 Sensor/Actuator Box; 4-Pole; With Connecting Cable



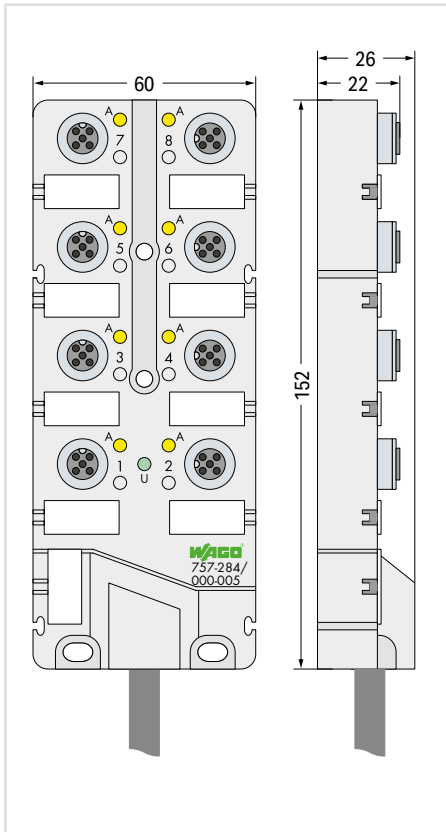
Figure: 757-284/000-005



Item Description	M12 Sensor/Actuator Box; 4-port; 4-pole		M12 Sensor/Actuator Box; 6-port; 4-pole	
Version	5 m connecting cable	10 m connecting cable	5 m connecting cable	10 m connecting cable
Item No.	757-244/000-005	757-244/000-010	757-264/000-005	757-264/000-010
Order Text	M12 S/A-Box; 4port; 4pole; 5m	M12 S/A-Box; 4port; 4pole; 10m	M12 S/A-Box; 6port; 4pole; 5m	M12 S/A-Box; 6port; 4pole; 10m
Technical Data				
Connection technology: inputs/outputs	4 x socket M12; 4-pole; including GND		6 x socket M12; 4-pole; including GND	
Number of poles	4 (1 signal per contact)		4 (1 signal per contact)	
Connection technology: trunk cable	Fixed connecting cable		Fixed connecting cable	
Length of connecting cable	5 m	10 m	5 m	10 m
Dimensions W x H x D	60 x 26 x 117 mm		60 x 26 x 123 mm	
Approvals	E 175199; Ⓢ UL 508; Class 2 Equipment These components are designed to be supplied through Class 2 power supplies per UL 1310 or Class 2 transformers per UL 1585.		E 175199; Ⓢ UL 508; Class 2 Equipment These components are designed to be supplied through Class 2 power supplies per UL 1310 or Class 2 transformers per UL 1585.	
Data sheet and further information, see:	wago.com/757-244		wago.com/757-264	
Accessories	Item No.	Page	Item No.	Page
Marker card	757-011	444	757-011	444
Felt-tip pen	210-110	444	210-110	444
Spacer module	757-040	444	757-060	444
M12 protective cap	756-8102	444	756-8102	444

„ IP67 cables and pluggable connectors, see Section "Accessories and Tools"

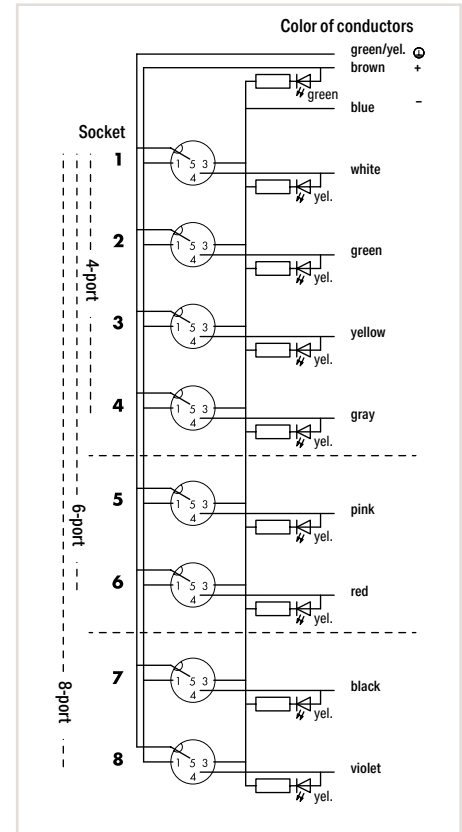
„ Approvals and corresponding ratings, see page 529 or www.wago.com



M12 Sensor/Actuator Box; 8-port; 4-pole		
5 m connect- ing cable	10 m connect- ing cable	25 m connect- ing cable
757-284/000-005	757-284/000-010	757-284/000-025
M12 S/A-Box; 8port; 4pole; 5m	M12 S/A-Box; 8port; 4pole; 10m	M12 S/A-Box; 8port; 4pole; 25m

8 x socket M12; 4-pole; including GND 4 (1 signal per contact)		
Fixed connecting cable		
5 m	10 m	25 m
60 x 26 x 152 mm		
E 175199; UL 508; Class 2 Equipment These components are designed to be supplied through Class 2 power supplies per UL 1310 or Class 2 transformers per UL 1585.		
wago.com/757-284		

Item No.	Page
757-011	444
210-110	444
757-080	444
756-8102	444

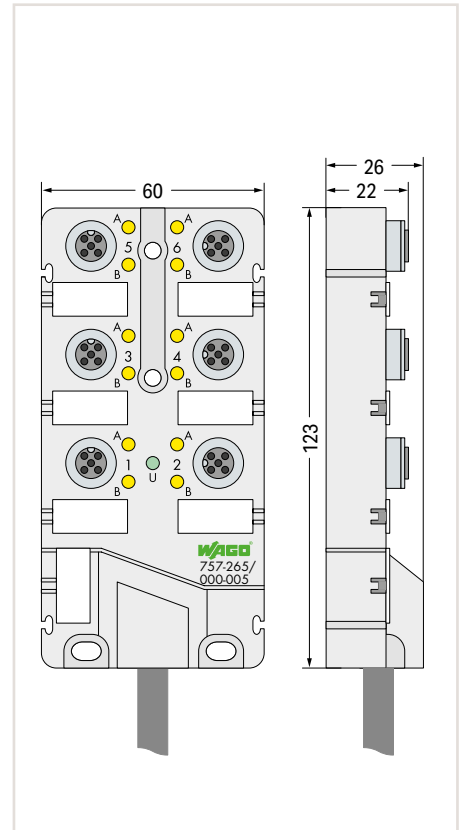
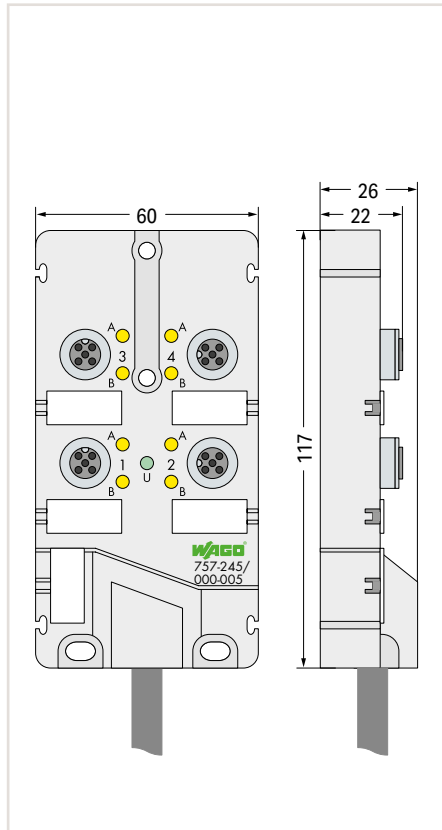


Circuit Diagram: Sensor/Actuator Box; 4-Pole

M12 Sensor/Actuator Box; 5-Pole; With Connecting Cable



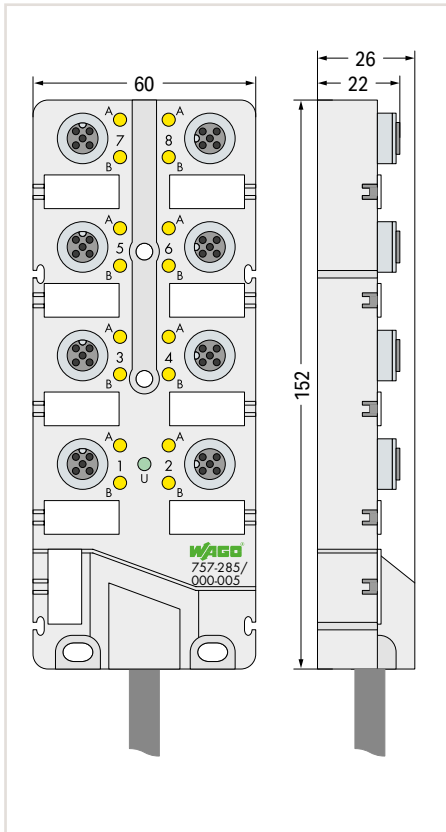
Figure: 757-285/000-005



Item Description	M12 Sensor/Actuator Box; 4-port; 5-pole		M12 Sensor/Actuator Box; 6-port; 5-pole	
Version	5 m connecting cable	10 m connecting cable	5 m connecting cable	10 m connecting cable
Item No.	757-245/000-005	757-245/000-010	757-265/000-005	757-265/000-010
Order Text	M12 S/A-Box; 4port; 5pole; 5m	M12 S/A-Box; 4port; 5pole; 10m	M12 S/A-Box; 6port; 5pole; 5m	M12 S/A-Box; 6port; 5pole; 10m
Technical Data				
Connection technology: inputs/outputs	4 x socket M12; 5-pole; including GND		6 x socket M12; 5-pole; including GND	
Number of poles	5 (2 signals per contact)		5 (2 signals per contact)	
Connection technology: trunk cable	Fixed connecting cable		Fixed connecting cable	
Length of connecting cable	5 m	10 m	5 m	10 m
Dimensions W x H x D	60 x 26 x 117 mm		60 x 26 x 123 mm	
Approvals				
	E 175199; Ⓢ UL 508; Class 2 Equipment These components are designed to be supplied through Class 2 power supplies per UL 1310 or Class 2 transformers per UL 1585.		E 175199; Ⓢ UL 508; Class 2 Equipment These components are designed to be supplied through Class 2 power supplies per UL 1310 or Class 2 transformers per UL 1585.	
Data sheet and further information, see:	wago.com/757-245		wago.com/757-265	
Accessories				
Marker card	Item No. 757-011	Page 444	Item No. 757-011	Page 444
Felt-tip pen	Item No. 210-110	Page 444	Item No. 210-110	Page 444
Spacer module	Item No. 757-040	Page 444	Item No. 757-060	Page 444
M12 protective cap	Item No. 756-8102	Page 444	Item No. 756-8102	Page 444

„ IP67 cables and pluggable connectors, see Section "Accessories and Tools"

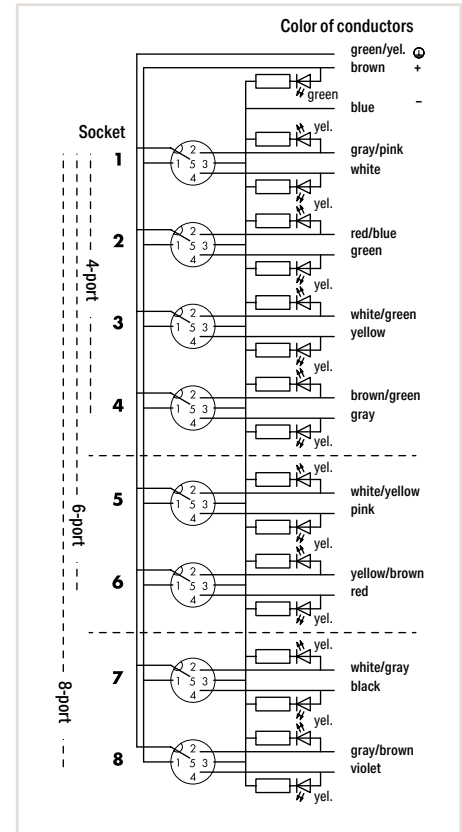
„ Approvals and corresponding ratings, see page 529 or www.wago.com



M12 Sensor/Actuator Box; 8-port; 5-pole		
5 m connecting cable	10 m connecting cable	25 m connecting cable
757-285/000-005	757-285/000-010	757-285/000-025
M12 S/A-Box; 8port; 5pole; 5m	M12 S/A-Box; 8port; 5pole; 10m	M12 S/A-Box; 8port; 5pole; 25m

8 x socket M12; 5-pole; including GND 5 (2 signals per contact)		
Fixed connecting cable		
5 m	10 m	25 m
60 x 26 x 152 mm		
E 175199; UL 508; Class 2 Equipment		
These components are designed to be supplied through Class 2 power supplies per UL 1310 or Class 2 transformers per UL 1585.		
wago.com/757-285		

Item No.	Page
757-011	444
210-110	444
757-080	444
756-8102	444

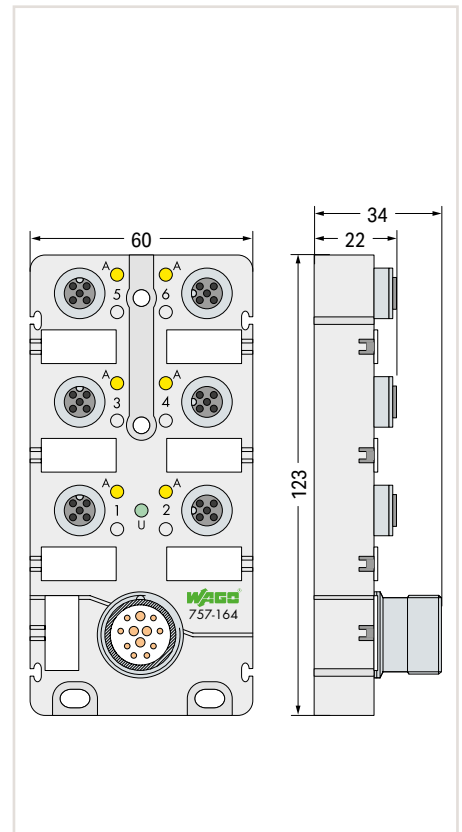
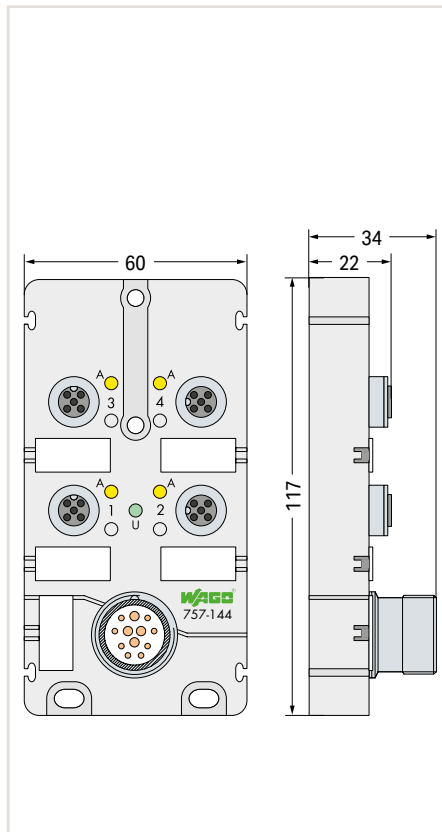


Circuit Diagram: Sensor/Actuator Box; 5-Pole

M12 Sensor/Actuator Box; 4-Pole; With M23 Connector



Figure: 757-184

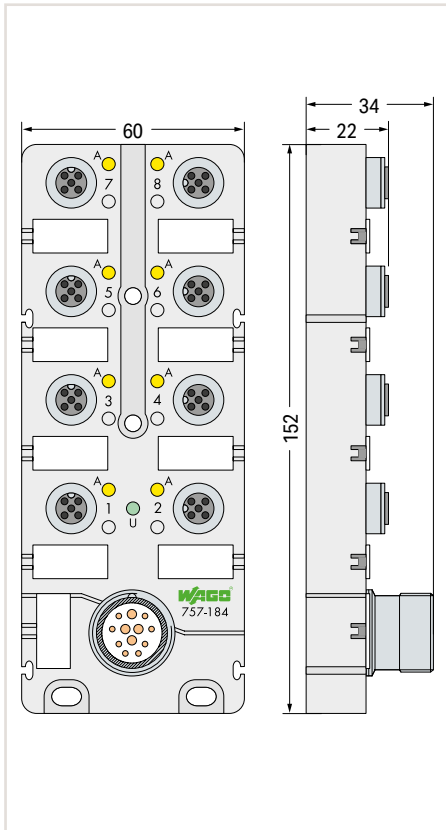


Item Description	M12 Sensor/Actuator Box; 4-port; 4-pole; M23 connector	M12 Sensor/Actuator Box; 6-port; 4-pole; M23 connector																				
Item No.	757-144	757-164																				
Order Text	M12 S/A-Box; 4port; 4pole; M23	M12 S/A-Box; 6port; 4pole; M23																				
Technical Data																						
Connection technology: inputs/outputs	4 x socket M12; 4-pole; including GND	6 x socket M12; 4-pole; including GND																				
Number of poles	4 (1 signal per contact)	4 (1 signal per contact)																				
Connection technology: trunk cable	M23 plug; 12-pole	M23 plug; 12-pole																				
Dimensions W x H x D	60 x 34 x 117 mm	60 x 34 x 123 mm																				
Approvals	E 175199; Ⓢ UL 508; Class 2 Equipment These components are designed to be supplied through Class 2 power supplies per UL 1310 or Class 2 transformers per UL 1585.	E 175199; Ⓢ UL 508; Class 2 Equipment These components are designed to be supplied through Class 2 power supplies per UL 1310 or Class 2 transformers per UL 1585.																				
Data sheet and further information, see:	wago.com/757-144	wago.com/757-164																				
Accessories	<table border="1"> <thead> <tr> <th>Item No.</th> <th>Page</th> </tr> </thead> <tbody> <tr> <td>757-011</td> <td>444</td> </tr> <tr> <td>210-110</td> <td>444</td> </tr> <tr> <td>757-040</td> <td>444</td> </tr> <tr> <td>756-8102</td> <td>444</td> </tr> </tbody> </table>	Item No.	Page	757-011	444	210-110	444	757-040	444	756-8102	444	<table border="1"> <thead> <tr> <th>Item No.</th> <th>Page</th> </tr> </thead> <tbody> <tr> <td>757-011</td> <td>444</td> </tr> <tr> <td>210-110</td> <td>444</td> </tr> <tr> <td>757-060</td> <td>444</td> </tr> <tr> <td>756-8102</td> <td>444</td> </tr> </tbody> </table>	Item No.	Page	757-011	444	210-110	444	757-060	444	756-8102	444
Item No.	Page																					
757-011	444																					
210-110	444																					
757-040	444																					
756-8102	444																					
Item No.	Page																					
757-011	444																					
210-110	444																					
757-060	444																					
756-8102	444																					

„ Interconnecting cables, M23 socket, see page 445

„ IP67 cables and pluggable connectors, see Section "Accessories and Tools"

„ Approvals and corresponding ratings, see page 529 or www.wago.com



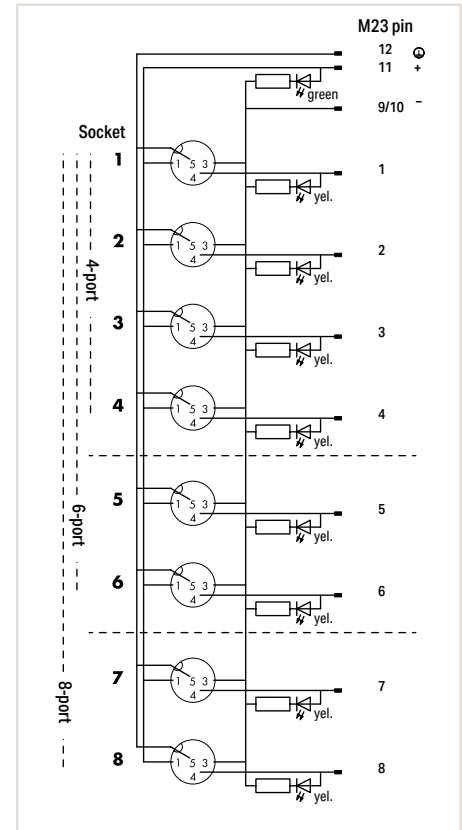
M12 Sensor/Actuator Box; 6-port; 4-pole; M23 connector

757-184

M12 S/A-Box; 8port; 4pole; M23

8 x socket M12; 4-pole; including GND 4 (1 signal per contact)
M23 plug; 12-pole 60 x 34 x 152 mm
E 175199; UL 508; Class 2 Equipment These components are designed to be supplied through Class 2 power supplies per UL 1310 or Class 2 transformers per UL 1585. wago.com/757-184

Item No.	Page
757-011	444
210-110	444
757-080	444
756-8102	444



Circuit Diagram: Sensor/Actuator Box; 4-Pole

M12 Sensor/Actuator Box; 5-Pole; With M23 Connector

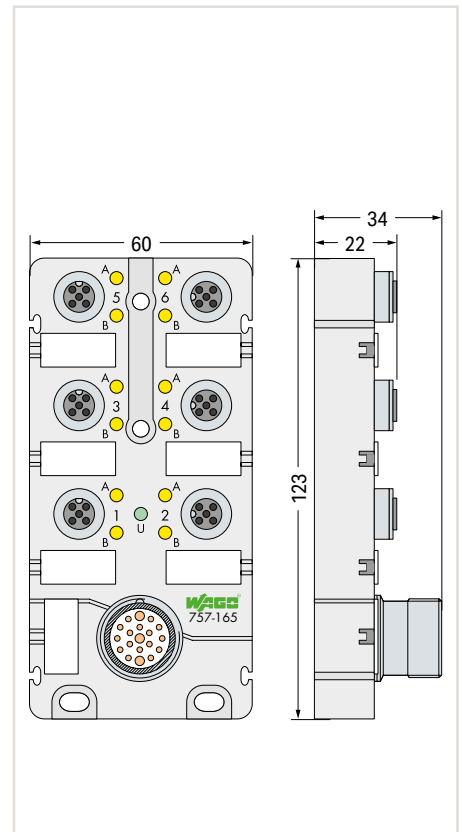
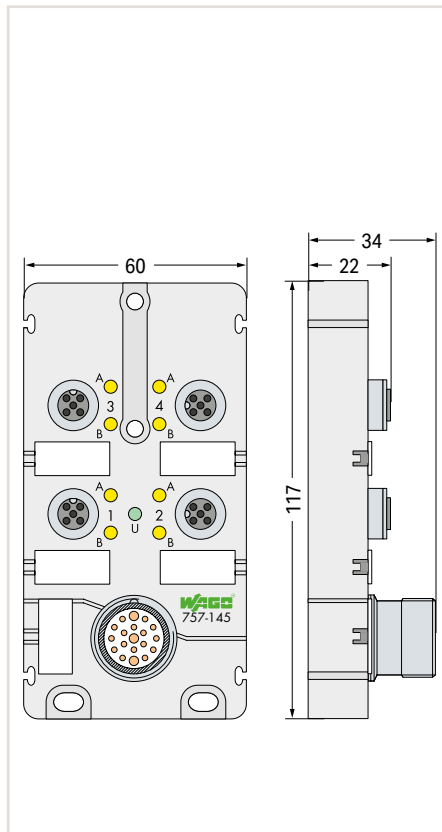


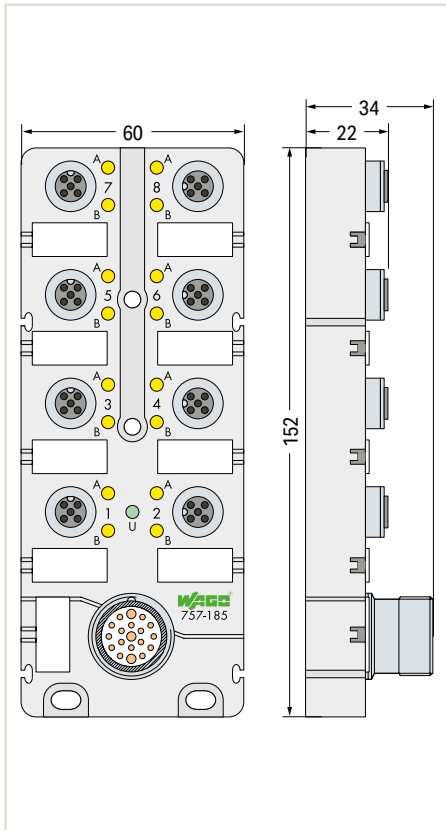
Figure: 757-185

Item Description	M12 Sensor/Actuator Box; 4-port; 5-pole; M23 connector	M12 Sensor/Actuator Box; 6-port; 5-pole; M23 connector																				
Version																						
Item No.	757-145	757-165																				
Order Text	M12 S/A-Box; 4port; 5pole; M23	M12 S/A-Box; 6port; 5pole; M23																				
Technical Data																						
Connection technology: inputs/outputs	4 x socket M12; 5-pole; including GND	6 x socket M12; 5-pole; including GND																				
Number of poles	5 (2 signals per contact)	5 (2 signals per contact)																				
Connection technology: trunk cable	M23 plug; 19-pole	M23 plug; 19-pole																				
Dimensions W x H x D	60 x 34 x 117 mm	60 x 34 x 123 mm																				
Approvals	E 175199; UL 508; Class 2 Equipment These components are designed to be supplied through Class 2 power supplies per UL 1310 or Class 2 transformers per UL 1585.	E 175199; UL 508; Class 2 Equipment These components are designed to be supplied through Class 2 power supplies per UL 1310 or Class 2 transformers per UL 1585.																				
Data sheet and further information, see:	wago.com/757-145	wago.com/757-165																				
Accessories	<table border="1"> <thead> <tr> <th>Item No.</th> <th>Page</th> </tr> </thead> <tbody> <tr> <td>757-011</td> <td>444</td> </tr> <tr> <td>210-110</td> <td>444</td> </tr> <tr> <td>757-040</td> <td>444</td> </tr> <tr> <td>756-8102</td> <td>444</td> </tr> </tbody> </table>	Item No.	Page	757-011	444	210-110	444	757-040	444	756-8102	444	<table border="1"> <thead> <tr> <th>Item No.</th> <th>Page</th> </tr> </thead> <tbody> <tr> <td>757-011</td> <td>444</td> </tr> <tr> <td>210-110</td> <td>444</td> </tr> <tr> <td>757-060</td> <td>444</td> </tr> <tr> <td>756-8102</td> <td>444</td> </tr> </tbody> </table>	Item No.	Page	757-011	444	210-110	444	757-060	444	756-8102	444
Item No.	Page																					
757-011	444																					
210-110	444																					
757-040	444																					
756-8102	444																					
Item No.	Page																					
757-011	444																					
210-110	444																					
757-060	444																					
756-8102	444																					

„ Interconnecting cables, M23 socket, see page 445

„ IP67 cables and pluggable connectors, see Section "Accessories and Tools"

„ Approvals and corresponding ratings, see page 529 or www.wago.com



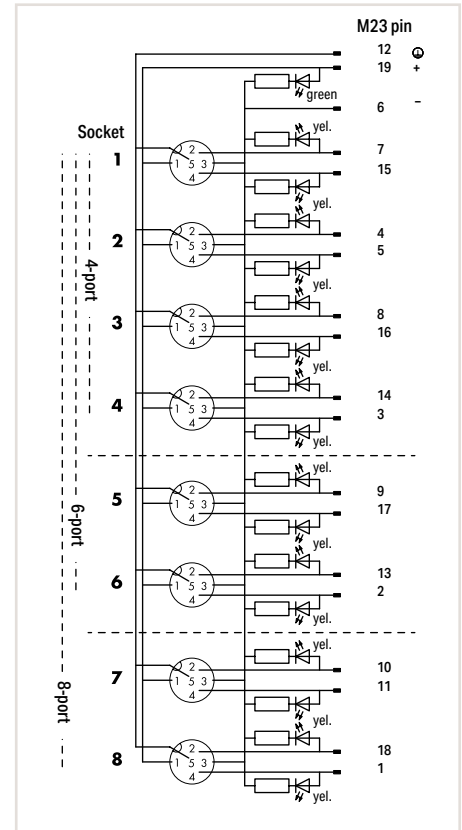
M12 Sensor/Actuator Box; 8-port; 5-pole; M23 connector

	without LED
757-185	757-185/100-000
M12 S/A-Box; 8port; 5pole; M23	M12 S/A-Box; 8port; 5pole; M23; NL

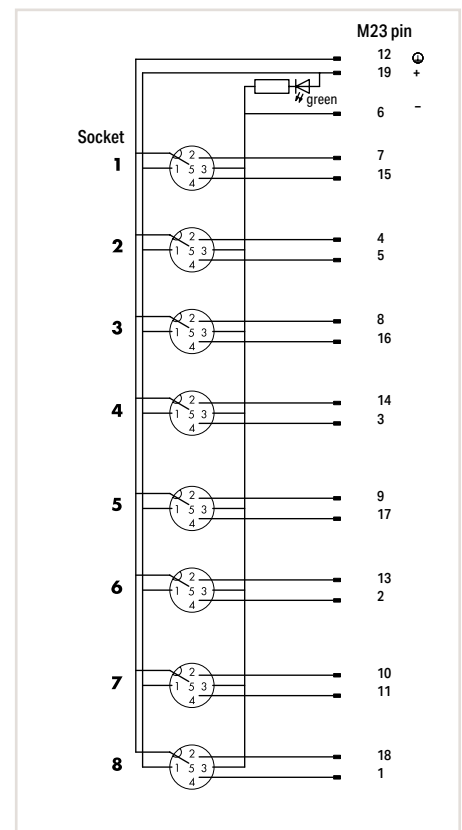
8 x socket M12; 5-pole; including GND 5 (2 signals per contact)	
M23 plug; 19-pole 60 x 34 x 152 mm	
E 175199; UL 508; Class 2 Equipment These components are designed to be supplied through Class 2 power supplies per UL 1310 or Class 2 transformers per UL 1585.	
wago.com/757-185	wago.com/757-185/100-000

Item No.	Page
757-011	444
210-110	444
757-080	444
756-8102	444

The 757-185/100-000 Module has no status LEDs and can therefore also transmit analog signals!



Circuit Diagram: Sensor/Actuator Box; 5-Pole

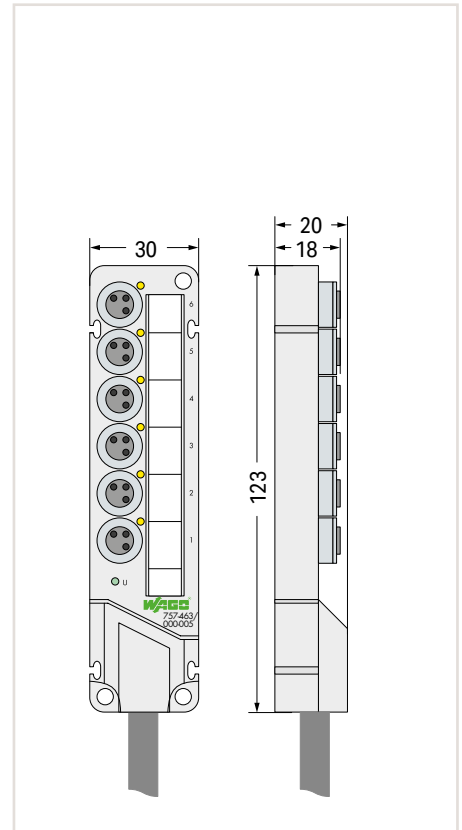
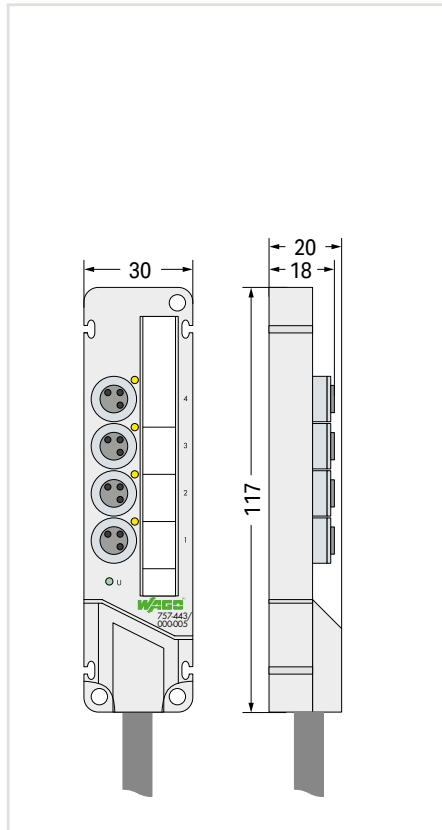


Circuit Diagram: Sensor/Actuator Box; 5-Pole; without LED

M8 Sensor/Actuator Box; 3-Pole; With Connecting Cable



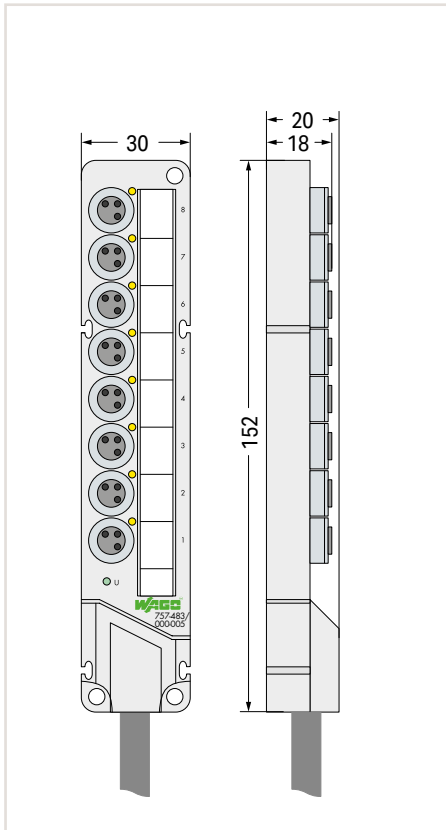
Figure: 757-403/000-005



Item Description	M8 Sensor/Actuator Box; 4-port; 3-pole			M8 Sensor/Actuator Box; 6-port; 3-pole	
Version	2 m connecting cable	5 m connecting cable	10 m connecting cable	5 m connecting cable	10 m connecting cable
Item No.	757-443/000-002	757-443/000-005	757-443/000-010	757-463/000-005	757-463/000-010
Order Text	M8 S/A-Box; 4port; 3pole; 2m	M8 S/A-Box; 4port; 3pole; 5m	M8 S/A-Box; 4port; 3pole; 10m	M8 S/A-Box; 6port; 3pole; 5m	M8 S/A-Box; 6port; 3pole; 10m
Technical Data					
Connection technology: inputs/outputs	4 x M8 socket; 3-pole			6 x M8 socket; 3-pole	
Number of poles	3 (1 signal per contact)			3 (1 signal per contact)	
Connection technology: trunk cable	Fixed connecting cable			Fixed connecting cable	
Length of connecting cable	2 m	5 m	10 m	5 m	10 m
Dimensions W x H x D	30 x 20 x 117 mm			30 x 20 x 123 mm	
Approvals	E 175199; Ⓢ UL 508; Class 2 Equipment These components are designed to be supplied through Class 2 power supplies per UL 1310 or Class 2 transformers per UL 1585.			E 175199; Ⓢ UL 508; Class 2 Equipment These components are designed to be supplied through Class 2 power supplies per UL 1310 or Class 2 transformers per UL 1585.	
Data sheet and further information, see:	wago.com/757-443			wago.com/757-463	
Accessories	Item No.	Page		Item No.	Page
Marking strip	757-041	444		757-061	444
Felt-tip pen	210-110	444		210-110	444
Spacer module	757-040	444		757-060	444
M8 protective cap	756-8101	444		756-8101	444

9

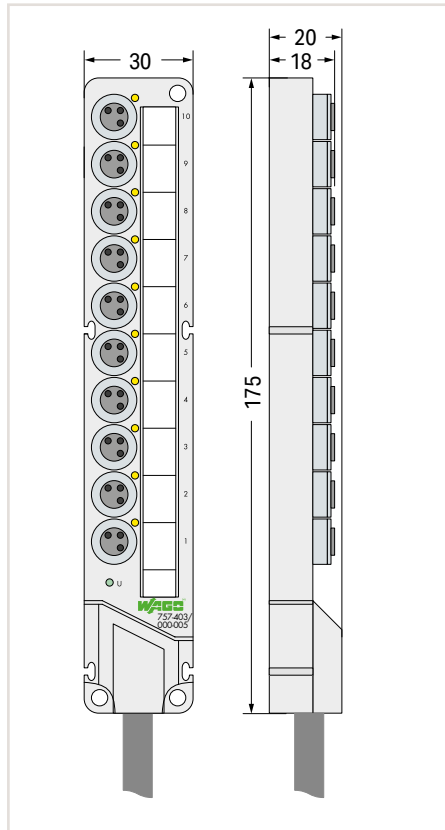
„ IP67 cables and pluggable connectors, see Section "Accessories and Tools"
 „ Approvals and corresponding ratings, see page 529 or www.wago.com



M8 Sensor/Actuator Box; 8-port; 3-pole	
5 m connecting cable	10 m connecting cable
757-483/000-005	757-483/000-010
M8 S/A-Box; 8port; 3pole; 5m	M8 S/A-Box; 8port; 3pole; 10m

8 x M8 socket; 3-pole	
3 (1 signal per contact)	
Fixed connecting cable	
5 m	10 m
30 x 20 x 152 mm	
E 175199; Ⓢ UL 508; Class 2 Equipment	
These components are designed to be supplied through Class 2 power supplies per UL 1310 or Class 2 transformers per UL 1585.	
wago.com/757-483	

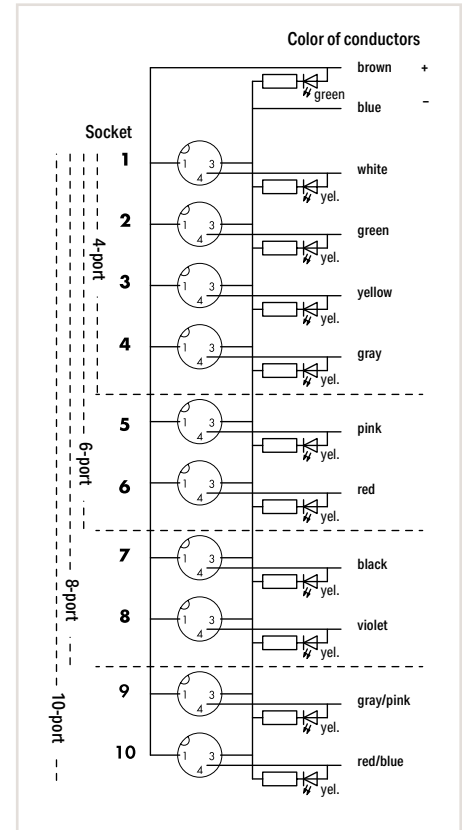
Item No.	Page
757-081	444
210-110	444
757-080	444
756-8101	444



M8 Sensor/Actuator Box; 10-port; 3-pole	
5 m connecting cable	10 m connecting cable
757-403/000-005	757-403/000-010
M8 S/A-Box; 10port; 3pole; 5m	M8 S/A-Box; 10port; 3pole; 10m

10 x M8 socket; 3-pole	
3 (1 signal per contact)	
Fixed connecting cable	
5 m	10 m
30 x 20 x 175 mm	
E 175199; Ⓢ UL 508; Class 2 Equipment	
These components are designed to be supplied through Class 2 power supplies per UL 1310 or Class 2 transformers per UL 1585.	
wago.com/757-403	

Item No.	Page
757-001	444
210-110	444
757-000	444
756-8101	444

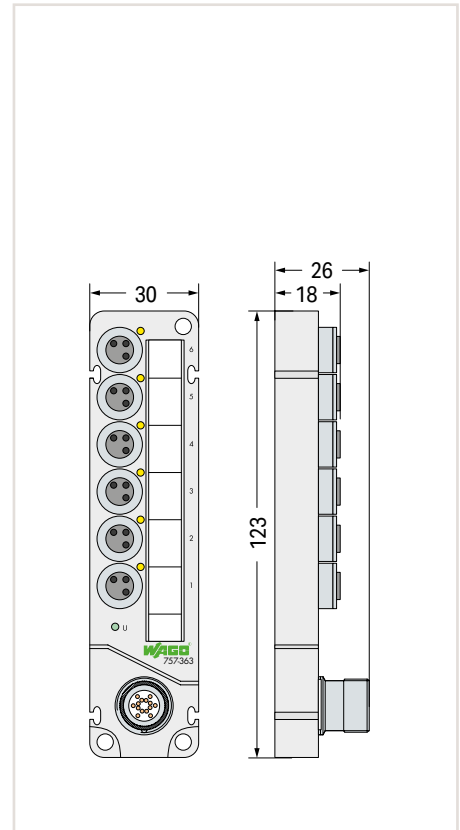
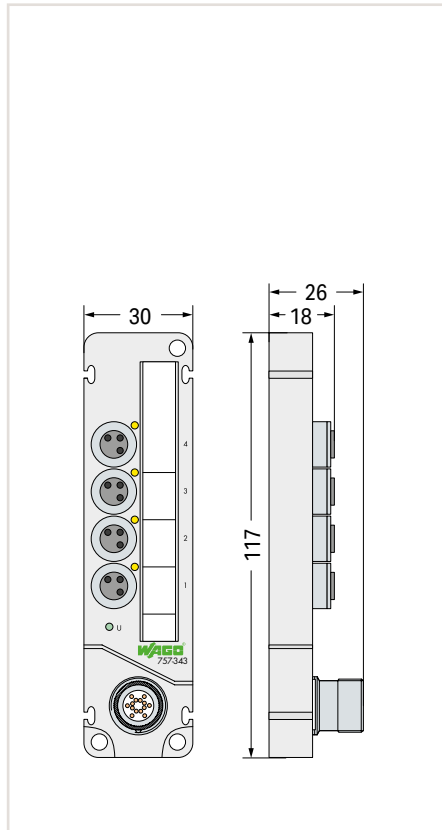


Circuit Diagram: Sensor/Actuator Box; 3-Pole

M8 Sensor/Actuator Box; 3-Pole; With M16 Connector

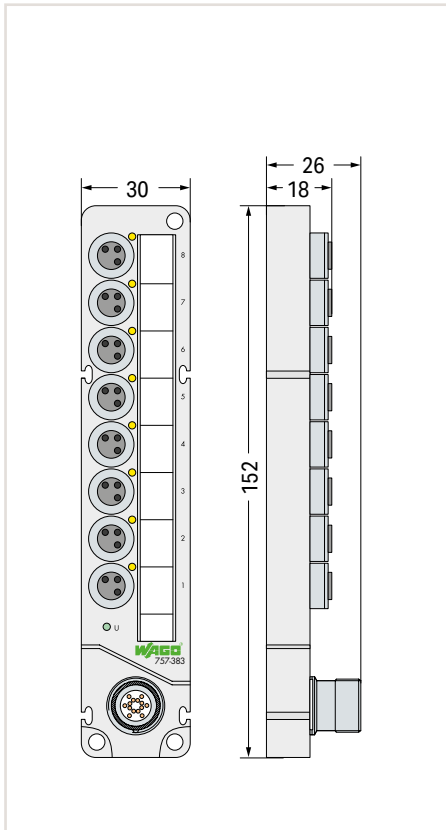


Figure: 757-303



Item Description	M8 Sensor/Actuator Box; 4-port; 3-pole; M16 connector	M8 Sensor/Actuator Box; 6-port; 3-pole; M16 connector
Item No.	757-343	757-363
Order Text	M8 S/A-Box; 4port; 3pole; M16	M8 S/A-Box; 6port; 3pole; M16
Technical Data		
Connection technology: inputs/outputs	4 x M8 socket; 3-pole	6 x M8 socket; 3-pole
Number of poles	3 (1 signal per contact)	3 (1 signal per contact)
Connection technology: trunk cable	M16 plug; 14-pole	M16 plug; 14-pole
Dimensions W x H x D	30 x 26 x 117 mm	30 x 26 x 123 mm
Approvals	E 175199; UL 508; Class 2 Equipment These components are designed to be supplied through Class 2 power supplies per UL 1310 or Class 2 transformers per UL 1585.	E 175199; UL 508; Class 2 Equipment These components are designed to be supplied through Class 2 power supplies per UL 1310 or Class 2 transformers per UL 1585.
Data sheet and further information, see:	wago.com/757-343	wago.com/757-363
Accessories		
Marking strip	Item No. 757-041 Page 444	Item No. 757-061 Page 444
Felt-tip pen	Item No. 210-110 Page 444	Item No. 210-110 Page 444
Spacer module	Item No. 757-040 Page 444	Item No. 757-060 Page 444
M8 protective cap	Item No. 756-8101 Page 444	Item No. 756-8101 Page 444

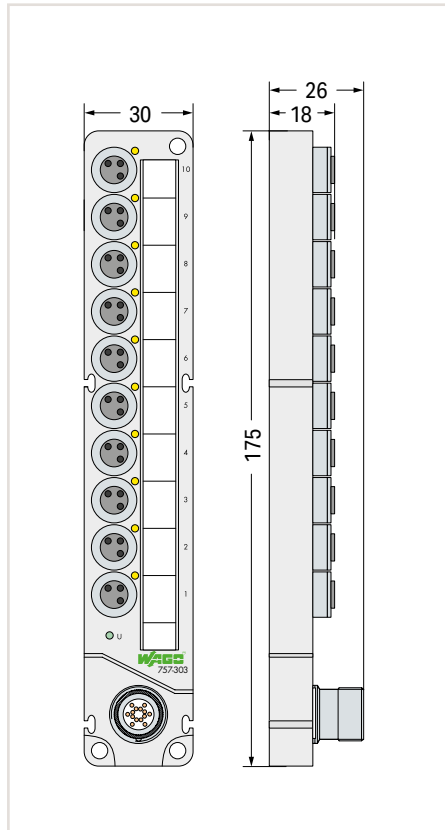
- „ Interconnecting cables, M16 socket, see page 445
- „ IP67 cables and pluggable connectors, see Section "Accessories and Tools"
- „ Approvals and corresponding ratings, see page 529 or www.wago.com



M8 Sensor/Actuator Box; 8-port; 3-pole; M16 connector
757-383
 M8 S/A-Box; 8port; 3pole; M16

8 x M8 socket; 3-pole 3 (1 signal per contact)
M16 plug; 14-pole 30 x 26 x 152 mm
E 175199; UL 508; Class 2 Equipment These components are designed to be supplied through Class 2 power supplies per UL 1310 or Class 2 transformers per UL 1585. wago.com/757-383

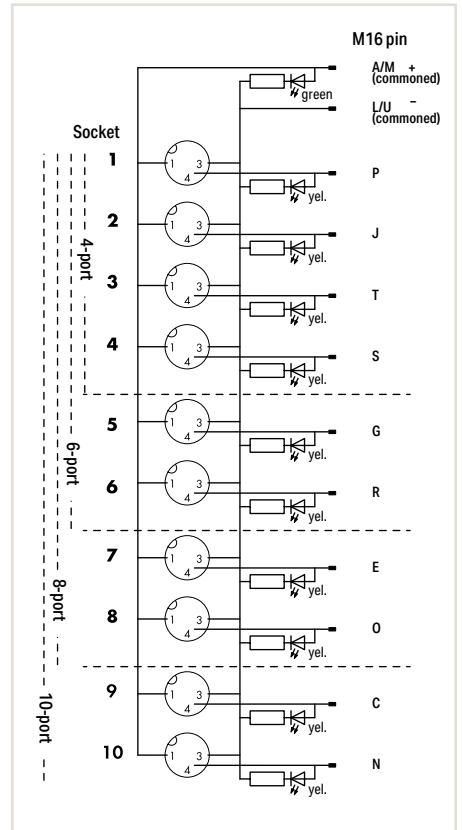
Item No.	Page
757-081	444
210-110	444
757-080	444
756-8101	444



M8 Sensor/Actuator Box; 10-port; 3-pole; M16 connector
757-303
 M8 S/A-Box; 10port; 3pole; M16

10 x M8 socket; 3-pole 3 (1 signal per contact)
M16 plug; 14-pole 30 x 26 x 175 mm
E 175199; UL 508; Class 2 Equipment These components are designed to be supplied through Class 2 power supplies per UL 1310 or Class 2 transformers per UL 1585. wago.com/757-303

Item No.	Page
757-001	444
210-110	444
757-000	444
756-8101	444



Circuit Diagram: Sensor/Actuator Box; 3-Pole

Sensor/Actuator Boxes; Accessories



Marker card; not stretchable; snap-on type		
	Item No.	Pack. Unit
for M12 Sensor/Actuator Box	757-011	1



Marking strip; cut to defined length; not stretchable; plain; snap-on type		
for M8 Sensor/Actuator Box	Item No.	Pack. Unit
4-port	757-041	100
6-port	757-061	100
8-port	757-081	100
10-port	757-001	100



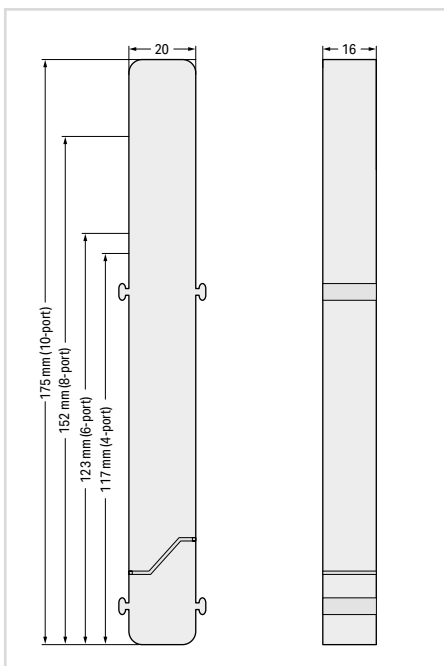
Felt-tip pen		
	Item No.	Pack. Unit
for permanent marking	210-110	1




Protective cap (for covering unused sensor/actuator ports)		
	Item No.	Pack. Unit
M8 protective cap	756-8101	10
M12 protective cap	756-8102	10



Spacer module for sensor/actuator box		
	Item No.	Pack. Unit
4-port	757-040	10
6-port	757-060	10
8-port	757-080	10
10-port	757-000	10


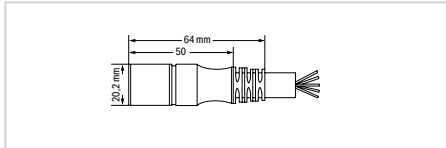

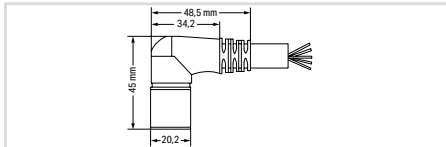




14-pole

Pin A, L: 0.75 mm²
Pin C ... J, N ... T: 0.34 mm²

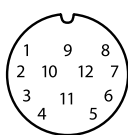
A	brown	N	pink-brown
C	white-pink	O	violet
E	black	P	white
G	rose	R	red
J	green	S	gray
L	blue	T	yellow
M	bridged with A	U	bridged with L

Operating voltage	150 V
Operating current	6 A (0.75 mm ²); 4 A (0.34 mm ²)
Rated surge voltage	1.2 kV
Drag chain suitability	≥ 2 million bending cycles
Surrounding air temperature (operation), dynamic	-30 ... +90 °C
Protection type	IP67
Cable diameter	9.1 mm ±0.2

Interconnecting cable; 14-pole; M16 socket (straight)		
Cable Length	Item No.	Pack. Unit
5 m	756-3205/140-050	1
10 m	756-3205/140-100	1
15 m	756-3205/140-150	1


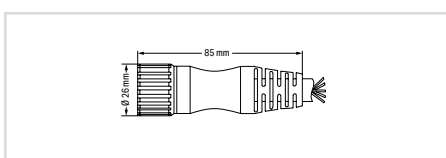

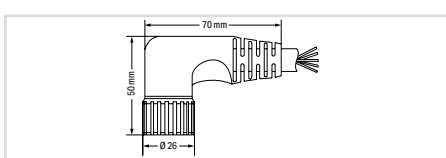
Interconnecting cable; 14-pole; M16 socket (angled)		
Cable Length	Item No.	Pack. Unit
5 m	756-3206/140-050	1
10 m	756-3206/140-100	1
15 m	756-3206/140-150	1



12-pole

Pin 9, 11, 12: 1.00 mm²;
Pin 1 ... 8: 0.34 mm²

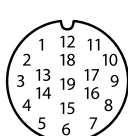
1	white	9	blue
2	green	10	bridged with 9
3	yellow	11	brown
4	gray	12	green-yellow
5	rose		
6	red		
7	black		
8	violet		

Operating voltage (max.)	300 V
Operating current	8 A
Rated surge voltage	≥ 2.0 kV rms
Drag chain suitability	≥ 2 million bending cycles
Surrounding air temperature (operation), dynamic	-25 ... +80 °C
Protection type	IP67
Cable diameter	9.3 mm ±0.3

Interconnecting cable; 12-pole; M23 socket (straight)		
Cable Length	Item No.	Pack. Unit
5 m	756-3201/120-050	1
10 m	756-3201/120-100	1
15 m	756-3201/120-150	1


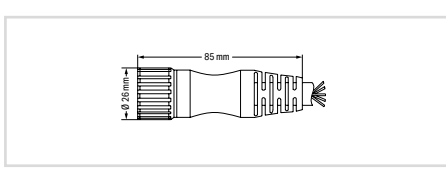

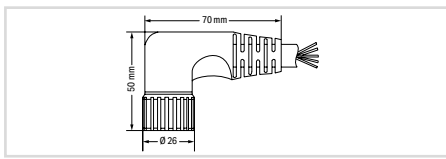
Interconnecting cable; 12-pole; M23 socket (angled)		
Cable Length	Item No.	Pack. Unit
5 m	756-3202/120-050	1
10 m	756-3202/120-100	1
15 m	756-3202/120-150	1



19-pole

Pin 6, 12, 19: 1.00 mm²;
Pin 1 ... 5, 7 ... 11, 13 ... 19: 0.34 mm²

1	violet	11	black
2	red	12	green-yellow
3	gray	13	yellow-brown
4	red-blue	14	brown-green
5	green	15	white
6	blue	16	yellow
7	gray-pink	17	rose
8	white-green	18	gray-brown
9	white-yellow	19	brown
10	white-gray		

Operating voltage (max.)	300 V
Operating current	10 A (6, 12, 19 contacts); 8 A (remaining contacts)
Rated surge voltage	≥ 2.0 kV rms
Drag chain suitability	≥ 2 million bending cycles
Surrounding air temperature (operation), dynamic	-25 ... +80 °C
Protection type	IP67
Cable diameter	11.6 mm ±0.3

Interconnecting cable; 19-pole; M23 socket (straight)		
Cable Length	Item No.	Pack. Unit
5 m	756-3203/190-050	1
10 m	756-3203/190-100	1
15 m	756-3203/190-150	1

Interconnecting cable; 19-pole; M23 socket (angled)		
Cable Length	Item No.	Pack. Unit
5 m	756-3204/190-050	1
10 m	756-3204/190-100	1
15 m	756-3204/190-150	1