

1-conductor female plug ▶ MCS MAXI 6 ▶ 831 Series

Pin spacing: 7.62 mm / 0.3 inch ▶ Actuation type: Operating tool ▶ Push-in CAGE CLAMP® ▶ Color: light gray

Locking of plug-in connection: Locking lever

Locking of plug-in connection: Screw flange



831-3104



831-3104/037-000



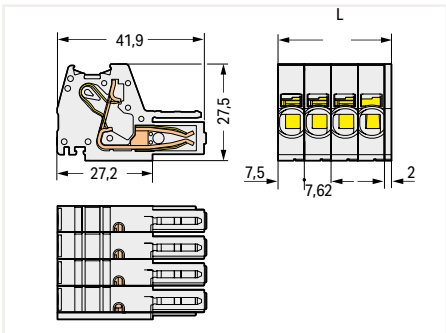
831-3102/107-000

Pole No.	Item No.	PU
2	831-3102	48
3	831-3103	48
4	831-3104	24
5	831-3105	24
6	831-3106	24
7	831-3107	12
8	831-3108	12
9	831-3109	12

Pole No.	Item No.	PU
2	831-3102/037-000	24
3	831-3103/037-000	24
4	831-3104/037-000	12
5	831-3105/037-000	12
6	831-3106/037-000	12
7	831-3107/037-000	12
8	831-3108/037-000	12
9	831-3109/037-000	12

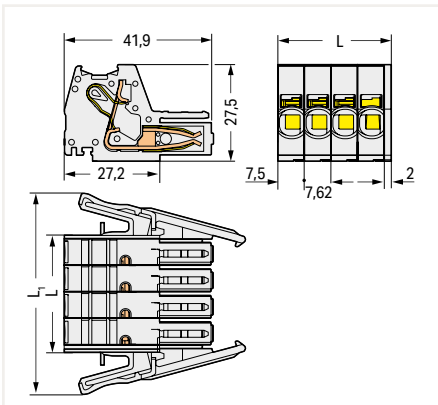
Pole No.	Item No.	PU
2	831-3102/107-000	24
3	831-3103/107-000	24
4	831-3104/107-000	24
5	831-3105/107-000	24
6	831-3106/107-000	12
7	831-3107/107-000	12
8	831-3108/107-000	12
9	831-3109/107-000	12

Dimensions in mm



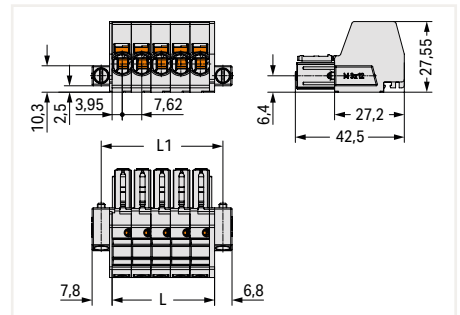
$L = (\text{pole no.} - 1) \times \text{pin spacing} + 9.5 \text{ mm}$

Dimensions in mm



$L = (\text{pole no.} - 1) \times \text{pin spacing} + 10.5 \text{ mm}$
 $L_1 = L + 23.7 \text{ mm}$

Dimensions in mm



$L = \text{pole no.} \times \text{pin spacing} + 1.9 \text{ mm}$
 $L_1 = L + 7.5 \text{ mm}$

PU = Packaging Unit; SPU = Subpackaging Unit

Other versions (or variants) can be requested from WAGO Sales or configured at <https://configurator.wago.com/>.

- Other pole numbers

1-conductor female plug ▶ MCS MAXI 6 ▶ 831 Series

Pin spacing: 7.62 mm / 0.3 inch ▶ Actuation type: Lever ▶ Push-in CAGE CLAMP® ▶ Color: light gray



- Intuitive and tool-free lever actuation
- Universal connection for all conductor types
- Push-in terminations of solid and ferruled conductors
- Test slot 0° and 90° to conductor entry
- 100 % protected against mismatching
- Coding via coding fingers

Electrical Data

Ratings per		IEC/EN 60664-1		
Overvoltage category		III	III	II
Pollution degree		3	2	2
Rated voltage		800 V	1000 V	1000 V
Rated impulse voltage		8 kV	8 kV	8 kV
Rated current		41 A	41 A	41 A
Approbations per		UL 1059		
Use group		B	C	D
Rated voltage		-	600 V	600 V
Rated current		-	35 A	5 A
Approbations per		CSA		
Use group		B	C	D
Rated voltage		-	600 V	600 V
Rated current		-	35 A	5 A

Connection Data

Connection technology	Push-in CAGE CLAMP®
Strip length	11 ... 13 mm / 0.43 ... 0.51 inch
Solid conductor	0.5 ... 10 mm ² / 20 ... 8 AWG
Fine-stranded conductor	0.5 ... 10 mm ² / 20 ... 8 AWG
Fine-stranded conductor; with insulated ferrule	0.5 ... 6 mm ²
Fine-stranded conductor; with uninsulated ferrule	0.5 ... 6 mm ²

Material Data

Material group	I
Insulation material	Polyamide (PA66)
Flammability class per UL94	V0
Clamping spring material	Chrome nickel spring steel (CrNi)
Contact material	Electrolytic copper (E _{cu})
Contact plating	Tin-plated

Environmental Requirements

Limit temperature range	-60 ... +105 °C
-------------------------	-----------------

The MCS – MULTI CONNECTION SYSTEM includes connectors without breaking capacity in accordance with DIN EN 61984. When used as intended, these connectors must not be connected/disconnected when live or under load. The circuit design should ensure header pins, which can be touched, are not live when unmated.

Ferrule Page 879

Mounting adapter Page 782

See technical section for further information

For approvals and corresponding ratings, visit www.wago.com

1-conductor female plug ▶ MCS MAXI 6 ▶ 831 Series

Pin spacing: 7.62 mm / 0.3 inch ▶ Actuation type: Lever ▶ Push-in CAGE CLAMP® ▶ Color: light gray

Locking of plug-in connection: Locking lever

Locking of plug-in connection: Lateral locking lever



831-1102



831-1102/037-000

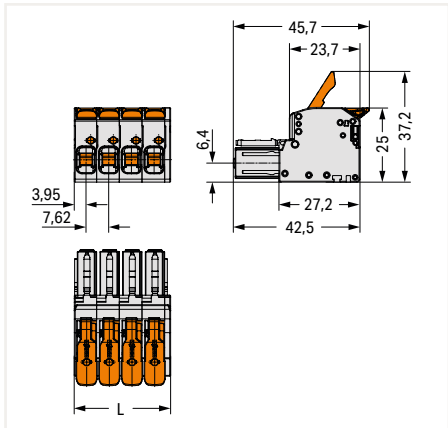


831-1102/038-000

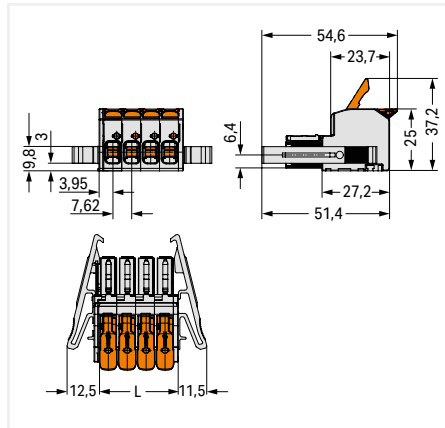
Pole No.	Item No.	PU
2	831-1102	48
3	831-1103	48
4	831-1104	24
5	831-1105	24
6	831-1106	24
7	831-1107	12
8	831-1108	12
9	831-1109	12

Pole No.	Item No.	PU
2	831-1102/037-000	24
3	831-1103/037-000	24
4	831-1104/037-000	12
5	831-1105/037-000	12
6	831-1106/037-000	12
7	831-1107/037-000	12
8	831-1108/037-000	12
9	831-1109/037-000	12

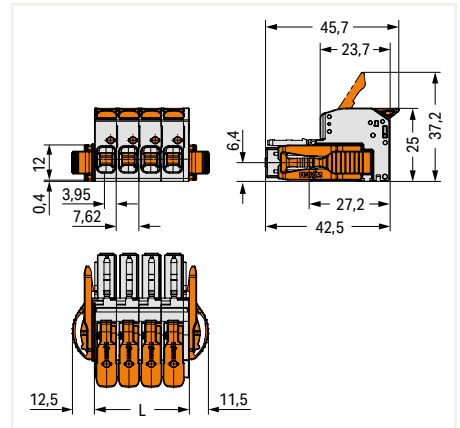
Pole No.	Item No.	PU
2	831-1102/038-000	24
3	831-1103/038-000	24
4	831-1104/038-000	12
5	831-1105/038-000	12
6	831-1106/038-000	12
7	831-1107/038-000	12
8	831-1108/038-000	12
9	831-1109/038-000	12



L = pole no. x pin spacing + 1.9 mm



L = pole no. x pin spacing + 1.9 mm



L = pole no. x pin spacing + 1.9 mm

PU = Packaging Unit; SPU = Subpackaging Unit; Dimensions in mm

Other versions (or variants) can be requested from WAGO Sales or configured at <https://configurator.wago.com/>.

- Other colors

1-conductor female plug ▶ MCS MAXI 6 ▶ 831 Series

Pin spacing: 7.62 mm / 0.3 inch ▶ Actuation type: Lever ▶ Push-in CAGE CLAMP® ▶ Color: light gray

Locking of plug-in connection: Center locking lever

Mounting type: DIN-35 rail; Panel mounting

Mounting type: DIN-35 rail; Panel mounting ▶ Locking of plug-in connection: Lateral locking lever



831-1102/322-000



831-1102/306-000

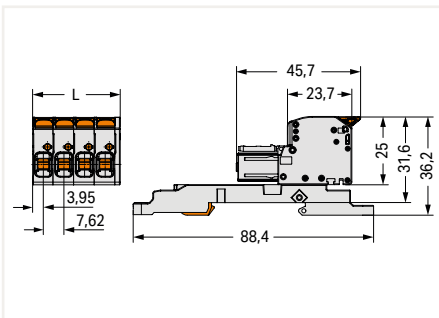
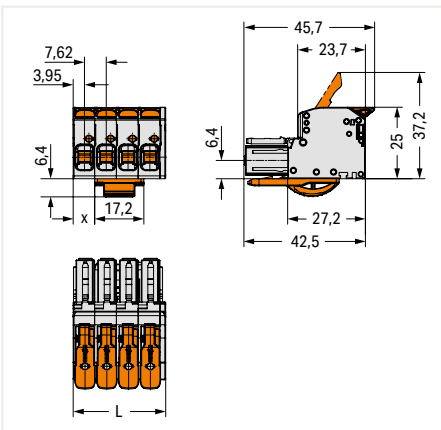


831-1102/038-000/306-000

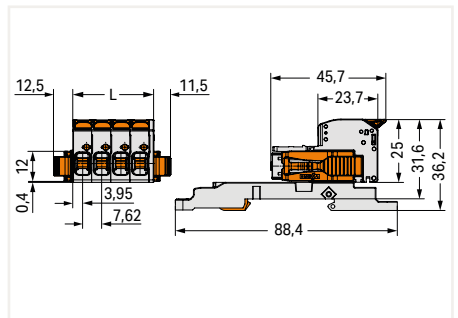
Pole No.	Item No.	PU
2	831-1102/322-000	24
6	831-1106/322-000	12
7	831-1107/322-000	6
8	831-1108/322-000	6
9	831-1109/322-000	6

Pole No.	Item No.	PU
2	831-1102/306-000	12
3	831-1103/306-000	12
4	831-1104/306-000	6
5	831-1105/306-000	6
6	831-1106/306-000	6
7	831-1107/306-000	6
8	831-1108/306-000	6
9	831-1109/306-000	6

Pole No.	Item No.	PU
2	831-1102/038-000/306-000	12
3	831-1103/038-000/306-000	12
4	831-1104/038-000/306-000	6
5	831-1105/038-000/306-000	6
6	831-1106/038-000/306-000	6
7	831-1107/038-000/306-000	6
8	831-1108/038-000/306-000	6
9	831-1109/038-000/306-000	6



L = pole no. x pin spacing + 1.9 mm



L = pole no. x pin spacing + 1.9 mm

10

- L = pole no. x pin spacing + 1.9 mm
- Pole No. 2: x = 0.1 mm
- Pole No. 3: x = 7.5 mm
- Pole No. 4: x = 7.5 mm
- Pole No. 5: x = 15.12 mm
- Pole No. 6: x = 15.12 mm
- Pole No. 7: x = 22.74 mm
- Pole No. 8: x = 22.74 mm
- Pole No. 9: x = 30.36 mm

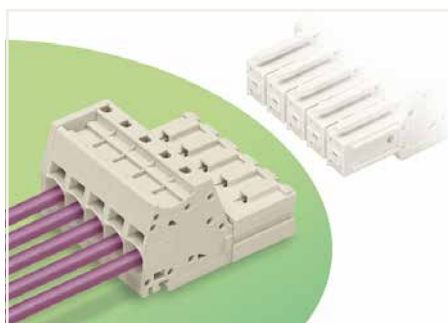
PU = Packaging Unit; SPU = Subpackaging Unit; Dimensions in mm

Other versions (or variants) can be requested from WAGO Sales or configured at <https://configurator.wago.com/>.

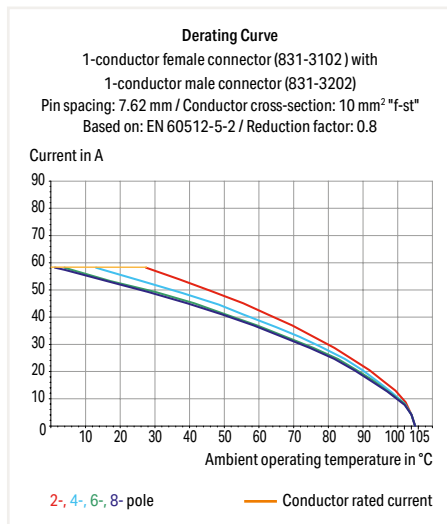
- Other colors

1-conductor male connector ▶ MCS MAXI 6 ▶ 831 Series

Pin spacing: 7.62 mm / 0.3 inch ▶ Actuation type: Operating tool ▶ Push-in CAGE CLAMP® ▶ Color: light gray



- Universal connection for all conductor types
- Push-in termination of solid or ferruled conductors
- Integrated test ports for 2 mm Ø test plugs
- 600 V UL per UL 1059
- 100 % protected against mismatching
- Coding via coding fingers



Electrical Data

Ratings per	IEC/EN 60664-1		
Overvoltage category	III	III	II
Pollution degree	3	2	2
Rated voltage	800 V	1000 V	1000 V
Rated impulse voltage	8 kV	8 kV	8 kV
Rated current	41 A	41 A	41 A
Approbations per	UL 1059		
Use group	B	C	D
Rated voltage	-	600 V	-
Rated current	-	42 A	-
Approbations per	CSA		
Use group	B	C	D
Rated voltage	-	600 V	-
Rated current	-	41 A	-

Connection Data

Connection technology	Push-in CAGE CLAMP®
Strip length	13 ... 15 mm / 0.51 ... 0.59 inch
Solid conductor	0.5 ... 10 mm ² / 20 ... 8 AWG
Fine-stranded conductor	0.5 ... 10 mm ² / 20 ... 8 AWG
Fine-stranded conductor; with insulated ferrule	0.5 ... 6 mm ²
Fine-stranded conductor; with uninsulated ferrule	0.5 ... 6 mm ²

Material Data

Material group	I
Insulation material	Polyamide (PA66)
Flammability class per UL94	V0
Clamping spring material	Chrome nickel spring steel (CrNi)
Contact material	Electrolytic copper (E _{cu})
Contact plating	Tin-plated

Environmental Requirements

Limit temperature range	-60 ... +105 °C
-------------------------	-----------------

The MCS – MULTI CONNECTION SYSTEM includes connectors without breaking capacity in accordance with DIN EN 61984. When used as intended, these connectors must not be connected/disconnected when live or under load. The circuit design should ensure header pins, which can be touched, are not live when unmated.

Coding	Page 777
Ferrule	Page 879
Marking	Page 779
Mounting	Page 778
Strain relief	Page 776
Test and measurement	Page 886
Tool	Page 870
Direct marking	Page 784
See technical section for further information	
For approvals and corresponding ratings, visit www.wago.com	

1-conductor male connector ▶ MCS MAXI 6 ▶ 831 Series

Pin spacing: 7.62 mm / 0.3 inch ▶ Actuation type: Operating tool ▶ Push-in CAGE CLAMP® ▶ Color: light gray

Locking of plug-in connection: Threaded flange

Mounting type: DIN-35 rail



831-3202



831-3202/109-000



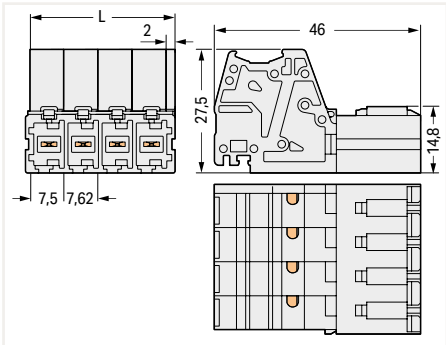
831-3204/007-000

Pole No.	Item No.	PU
2	831-3202	48
3	831-3203	24
4	831-3204	24
5	831-3205	24
6	831-3206	24
7	831-3207	12
8	831-3208	12
9	831-3209	12

Pole No.	Item No.	PU
2	831-3202/109-000	24
3	831-3203/109-000	24
4	831-3204/109-000	24
5	831-3205/109-000	24
6	831-3206/109-000	12
7	831-3207/109-000	12
8	831-3208/109-000	12
9	831-3209/109-000	12

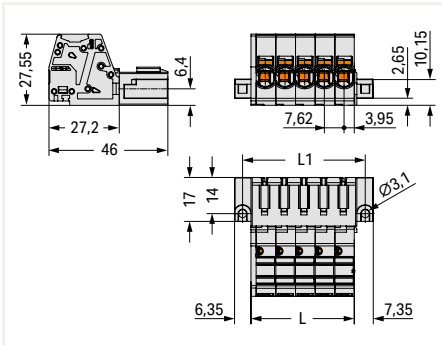
Pole No.	Item No.	PU
2	831-3202/007-000	48
3	831-3203/007-000	48
4	831-3204/007-000	24
5	831-3205/007-000	24
6	831-3206/007-000	24
7	831-3207/007-000	12
8	831-3208/007-000	12
9	831-3209/007-000	12

Dimensions in mm



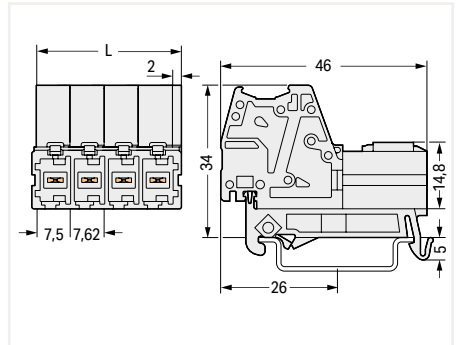
$L = (\text{pole no.} - 1) \times \text{pin spacing} + 9.5 \text{ mm}$

Dimensions in mm



$L = \text{pole no.} \times \text{pin spacing} + 1.9 \text{ mm}$
 $L1 = L + 7.5 \text{ mm}$

Dimensions in mm



$L = (\text{pole no.} - 1) \times \text{pin spacing} + 9.5 \text{ mm}$

PU = Packaging Unit; SPU = Subpackaging Unit

Other versions (or variants) can be requested from WAGO Sales or configured at <https://configurator.wago.com/>.

- Other pole numbers

1-conductor male connector ▶ MCS MAXI 6 ▶ 831 Series

Pin spacing: 7.62 mm / 0.3 inch ▶ Actuation type: Lever ▶ Push-in CAGE CLAMP® ▶ Color: light gray



- Intuitive and tool-free lever actuation
- Universal connection for all conductor types
- Push-in terminations of solid and ferruled conductors
- Test slot 0° and 90° to conductor entry
- 100 % protected against mismatching
- Coding via coding fingers

Electrical Data

Ratings per	IEC/EN 60664-1		
Overvoltage category	III	III	II
Pollution degree	3	2	2
Rated voltage	800 V	1000 V	1000 V
Rated impulse voltage	8 kV	8 kV	8 kV
Rated current	41 A	41 A	41 A

Connection Data

Connection technology	Push-in CAGE CLAMP®
Strip length	11 ... 13 mm / 0.43 ... 0.51 inch
Solid conductor	0.5 ... 10 mm ² / 20 ... 8 AWG
Fine-stranded conductor	0.5 ... 10 mm ² / 20 ... 8 AWG
Fine-stranded conductor; with insulated ferrule	0.5 ... 6 mm ²
Fine-stranded conductor; with uninsulated ferrule	0.5 ... 6 mm ²

Material Data

Material group	I
Insulation material	Polyamide (PA66)
Flammability class per UL94	V0
Clamping spring material	Chrome nickel spring steel (CrNi)
Contact material	Electrolytic copper (E _{Cu})
Contact plating	Tin-plated

Environmental Requirements

Limit temperature range	-60 ... +105 °C
-------------------------	-----------------

Available April 2021

The MCS – MULTI CONNECTION SYSTEM includes connectors without breaking capacity in accordance with DIN EN 61984. When used as intended, these connectors must not be connected/disconnected when live or under load. The circuit design should ensure header pins, which can be touched, are not live when unmated.

Ferrule [Page 879](#)Mounting adapter [Page 782](#)

See technical section for further information

For approvals and corresponding ratings, visit www.wago.com

1-conductor male connector ▶ MCS MAXI 6 ▶ 831 Series

Pin spacing: 7.62 mm / 0.3 inch ▶ Actuation type: Lever ▶ Push-in CAGE CLAMP® ▶ Color: light gray

Mounting type: DIN-35 rail; Panel mounting

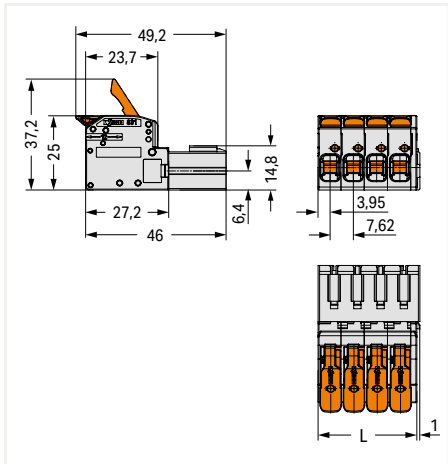


831-1202

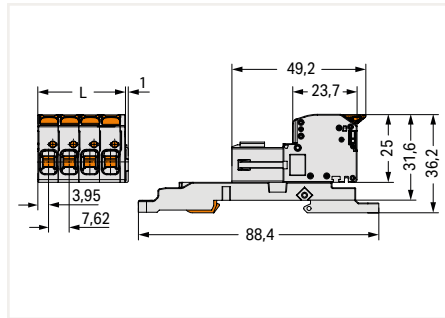
831-1202/306-000

Pole No.	Item No.	PU
2	831-1202	48
3	831-1203	24
4	831-1204	24
5	831-1205	24
6	831-1206	24
7	831-1207	12
8	831-1208	12
9	831-1209	12

Pole No.	Item No.	PU
2	831-1202/306-000	12
3	831-1203/306-000	12
4	831-1204/306-000	6
5	831-1205/306-000	6
6	831-1206/306-000	6
7	831-1207/306-000	6
8	831-1208/306-000	6
9	831-1209/306-000	6



L = pole no. x pin spacing + 1.9 mm



L = pole no. x pin spacing + 1.9 mm

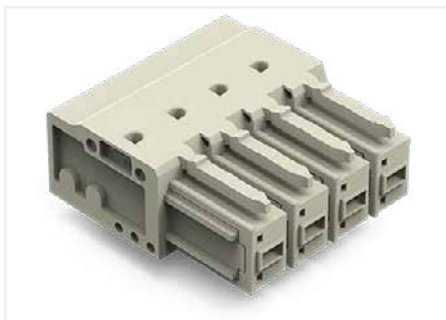
PU = Packaging Unit; SPU = Subpackaging Unit; Dimensions in mm

Other versions (or variants) can be requested from WAGO Sales or configured at <https://configurator.wago.com/>.

- Other colors

THT female header ▶ MCS MAXI 6 ▶ 831 Series

Pin spacing: 7.62 mm / 0.3 inch ▶ Solder pin dimensions: 1 x 1.2 mm ▶ Color: light gray



- Female headers may be mounted horizontally or vertically via straight or angled solder pins
- Three solder pins per pole provide high electrical and mechanical stability
- 100 % protected against mismatching
- Coding via coding fingers

Electrical Data

Ratings per	IEC/EN 60664-1		
	III	III	II
Overvoltage category	3	2	2
Pollution degree	3	2	2
Rated voltage	500 V	630 V	1000 V
Rated impulse voltage	6 kV	6 kV	6 kV
Rated current	41 A	41 A	41 A

Material Data

Material group	I
Insulation material	Polyamide (PA66)
Flammability class per UL94	V0
Contact material	Electrolytic copper (E _{cu})
Contact plating	Tin-plated

Mechanical Data

Solder pin arrangement	Over the entire female connector (in-line)
Solder pin length	4 mm
Solder pin dimensions	1 x 1.2 mm
Drilled hole diameter with tolerance	1.7 ^(+0.1) mm

Environmental Requirements

Limit temperature range	-60 ... +105 °C
-------------------------	-----------------

The MCS – MULTI CONNECTION SYSTEM includes connectors without breaking capacity in accordance with DIN EN 61984. When used as intended, these connectors must not be connected/disconnected when live or under load. The circuit design should ensure header pins, which can be touched, are not live when unmated.

See technical section for further information

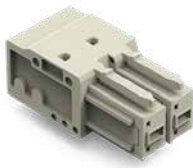
For approvals and corresponding ratings, visit www.wago.com

THT female header ▶ MCS MAXI 6 ▶ 831 Series

Pin spacing: 7.62 mm / 0.3 inch ▶ Solder pin dimensions: 1 x 1.2 mm ▶ Color: light gray

Mating direction to the PCB: 0°

Mating direction to the PCB: 90°

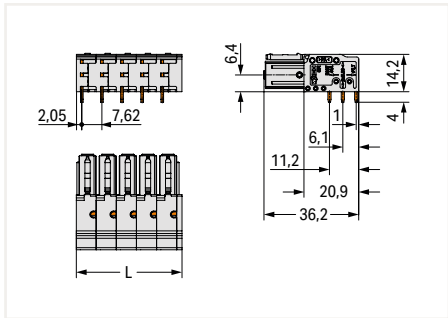


831-3522

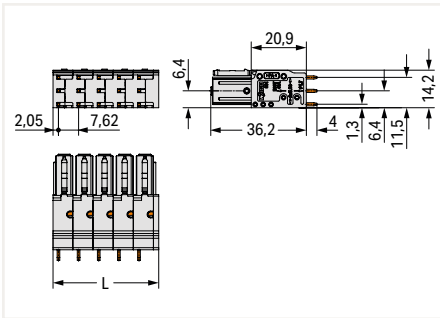
831-3502

Pole No.	Item No.	PU
2	831-3522	48
3	831-3523	24
4	831-3524	24
5	831-3525	24
6	831-3526	24
7	831-3527	12
8	831-3528	12
9	831-3529	12

Pole No.	Item No.	PU
2	831-3502	48
3	831-3503	24
4	831-3504	24
5	831-3505	24
6	831-3506	24
7	831-3507	12
8	831-3508	12
9	831-3509	12



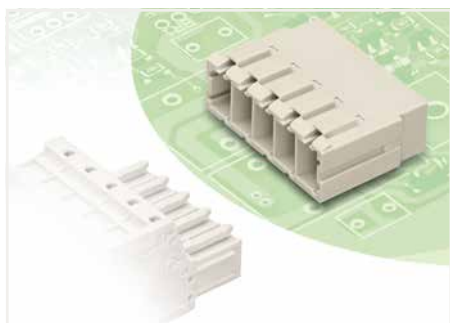
L = pole no. x pin spacing + 1.9 mm



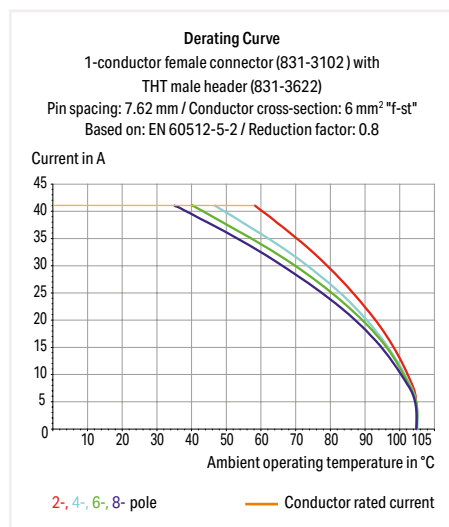
L = pole no. x pin spacing + 1.9 mm

THT male header ▶ MCS MAXI 6 ▶ 831 Series

Pin spacing: 7.62 mm / 0.3 inch ▶ Solder pin dimensions: 1 x 1.2 mm ▶ Color: light gray



- Male headers may be mounted horizontally or vertically via straight or angled solder pins
- Three solder pins per pole provide high electrical and mechanical stability
- 100 % protected against mismatching
- Coding via coding fingers

**Electrical Data**

Ratings per	IEC/EN 60664-1		
Overvoltage category	III	III	II
Pollution degree	3	2	2
Rated voltage	500 V	630 V	1000 V
Rated impulse voltage	6 kV	6 kV	6 kV
Rated current	41 A	41 A	41 A
Approbations per	UL 1059		
Use group	B	C	D
Rated voltage	-	300 V	600 V
Rated current	-	42 A	5 A
Approbations per	CSA		
Use group	B	C	D
Rated voltage	-	300 V	600 V
Rated current	-	41 A	5 A

Material Data

Material group	I
Insulation material	Polyamide (PA66)
Flammability class per UL94	V0
Contact material	Electrolytic copper (E _{cu})
Contact plating	Tin-plated

Mechanical Data

Solder pin arrangement	Over the entire male connector (in-line)
Solder pin length	4 mm
Solder pin dimensions	1 x 1.2 mm
Drilled hole diameter with tolerance	1.7 ^(+0.1) mm

Environmental Requirements

Limit temperature range	-60 ... +105 °C
-------------------------	-----------------

The MCS – MULTI CONNECTION SYSTEM includes connectors without breaking capacity in accordance with DIN EN 61984. When used as intended, these connectors must not be connected/disconnected when live or under load. The circuit design should ensure header pins, which can be touched, are not live when unmated.

Coding Page 777

See technical section for further information

For approvals and corresponding ratings, visit www.wago.com

THT male header ▶ MCS MAXI 6 ▶ 831 Series

Pin spacing: 7.62 mm / 0.3 inch ▶ Solder pin dimensions: 1 x 1.2 mm ▶ Color: light gray

Mating direction to the PCB: 0°

Mating direction to the PCB: 180°

Mating direction to the PCB: 90°



831-3622

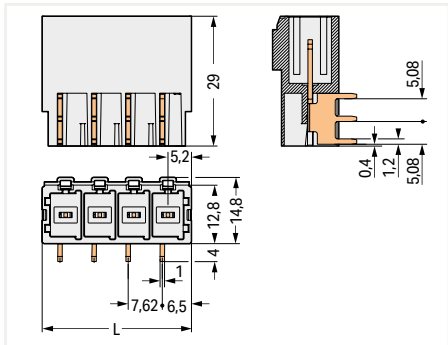
831-3642

831-3602

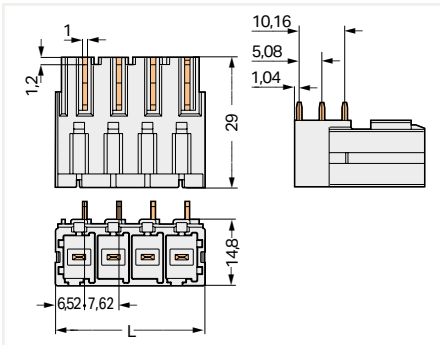
Pole No.	Item No.	PU
2	831-3622	48
3	831-3623	48
4	831-3624	24
5	831-3625	24
6	831-3626	24
7	831-3627	12
8	831-3628	12
9	831-3629	12

Pole No.	Item No.	PU
2	831-3642	48
3	831-3643	48
4	831-3644	24
5	831-3645	24
6	831-3646	24
7	831-3647	12
8	831-3648	12
9	831-3649	12

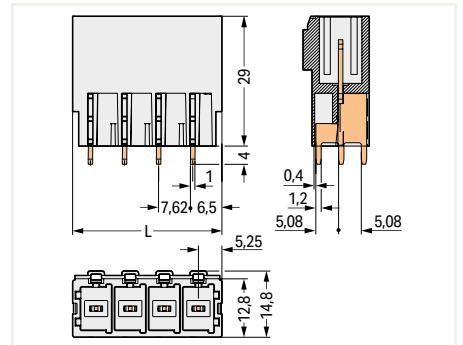
Pole No.	Item No.	PU
2	831-3602	48
3	831-3603	48
4	831-3604	24
5	831-3605	24
6	831-3606	24
7	831-3607	12
8	831-3608	12
9	831-3609	12



L = (pole no. - 1) x pin spacing + 10.5 mm



L = (pole no. - 1) x pin spacing + 10.5 mm



L = (pole no. - 1) x pin spacing + 10.5 mm

PU = Packaging Unit; SPU = Subpackaging Unit; Dimensions in mm

Other versions (or variants) can be requested from WAGO Sales or configured at <https://configurator.wago.com/>.

- Other pole numbers
- Protection against PCB mounting errors

THT male header ▶ MCS MAXI 6 ▶ 831 Series

Pin spacing: 7.62 mm / 0.3 inch ▶ Solder pin dimensions: 1 x 1.2 mm ▶ Color: light gray

Locking of plug-in connection: Threaded flange ▶ Mating direction to the PCB: 0°

Locking of plug-in connection: Threaded flange ▶ Mating direction to the PCB: 90°

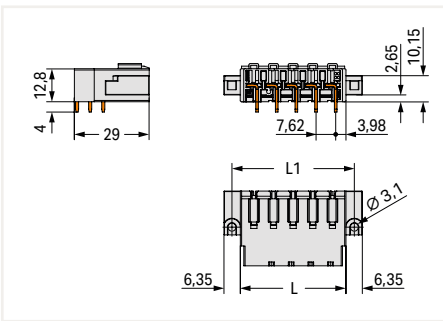


831-3622/108-000

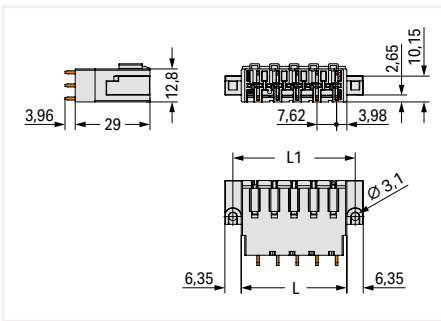
831-3602/108-000

Pole No.	Item No.	PU
2	831-3622/108-000	48
3	831-3623/108-000	24
4	831-3624/108-000	24
5	831-3625/108-000	24
6	831-3626/108-000	24
7	831-3627/108-000	12
8	831-3628/108-000	12
9	831-3629/108-000	12

Pole No.	Item No.	PU
2	831-3602/108-000	48
3	831-3603/108-000	24
4	831-3604/108-000	24
5	831-3605/108-000	24
6	831-3606/108-000	24
7	831-3607/108-000	12
8	831-3608/108-000	12
9	831-3609/108-000	12



L = pole no. x pin spacing + 2.9 mm
L1 = L + 6.5 mm



L = pole no. x pin spacing + 2.9 mm
L1 = L + 6.5 mm

10

PU = Packaging Unit; SPU = Subpackaging Unit; Dimensions in mm

Other versions (or variants) can be requested from WAGO Sales or configured at <https://configurator.wago.com/>.

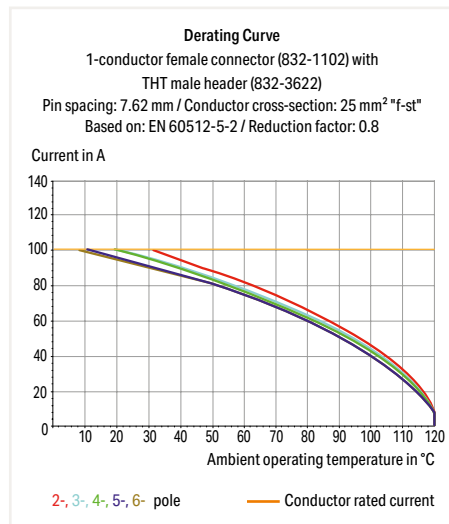
- Other pole numbers
- Protection against PCB mounting errors

1-conductor female plug ▶ MCS MAXI 16 ▶ 832 Series

Pin spacing: 10.16 mm / 0.4 inch ▶ Actuation type: Lever ▶ Push-in CAGE CLAMP® ▶ Color: light gray



- Intuitive and tool-free lever actuation
- Universal connection for all conductor types
- Push-in termination of solid or ferruled conductors
- Test slot 0° and 90° to conductor entry
- 100% protected against mismatching
- Coding option available

**Electrical Data**

Ratings per	IEC/EN 60664-1		
Overtoltage category	III	III	II
Pollution degree	3	2	2
Rated voltage	1000 V	1000 V	1000 V
Rated impulse voltage	8 kV	8 kV	8 kV
Rated current	76 A	76 A	76 A
Approbations per	UL 1059		
Use group	B	C	D
Rated voltage	600 V	600 V	-
Rated current	66 A	66 A	-
Approbations per	UL 1977		
Rated voltage	600 V		
Rated current	85 A		
Approbations per	CSA		
Use group	B	C	D
Rated voltage	600 V	600 V	-
Rated current	66 A	66 A	-

Connection Data

Connection technology	Push-in CAGE CLAMP®
Strip length	18 ... 20 mm / 0.71 ... 0.79 inch
Solid conductor	0.75 ... 16 mm ² / 18 ... 4 AWG
Fine-stranded conductor	0.75 ... 25 mm ² / 18 ... 4 AWG
Fine-stranded conductor; with insulated ferrule	0.75 ... 16 mm ²
Fine-stranded conductor; with uninsulated ferrule	0.75 ... 16 mm ²

Material Data

Material group	I
Insulation material	Polybutylene terephthalate (PBT)
Flammability class per UL94	V0
Clamping spring material	Chrome nickel spring steel (CrNi)
Contact material	Electrolytic copper (E _{cu})
Contact plating	Silver-plated

Environmental Requirements

Limit temperature range	-60 ... +120 °C
-------------------------	-----------------

The MCS – MULTI CONNECTION SYSTEM includes connectors without breaking capacity in accordance with DIN EN 61984. When used as intended, these connectors must not be connected/disconnected when live or under load. The circuit design should ensure header pins, which can be touched, are not live when unmated.

Coding	Page 777
Ferrule	Page 879
Locking system	Page 781
Mounting adapter	Page 782
Strain relief	Page 780
See technical section for further information	
For approvals and corresponding ratings, visit www.wago.com	

1-conductor female plug ▶ MCS MAXI 16 ▶ 832 Series

Pin spacing: 10.16 mm / 0.4 inch ▶ Actuation type: Lever ▶ Push-in CAGE CLAMP® ▶ Color: light gray

Locking of plug-in connection: Lateral locking lever

Locking of plug-in connection: Center locking lever



832-1102



832-1102/037-000

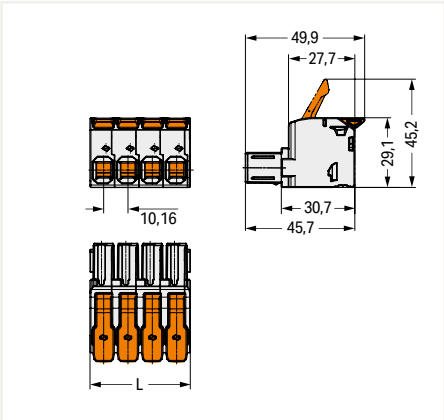


832-1102/322-000

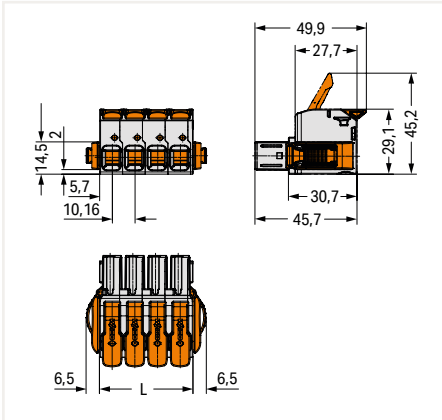
Pole No.	Item No.	PU
2	832-1102	60
3	832-1103	45
4	832-1104	20
5	832-1105	20
6	832-1106	10

Pole No.	Item No.	PU
2	832-1102/037-000	20
3	832-1103/037-000	15
4	832-1104/037-000	10
5	832-1105/037-000	10
6	832-1106/037-000	10

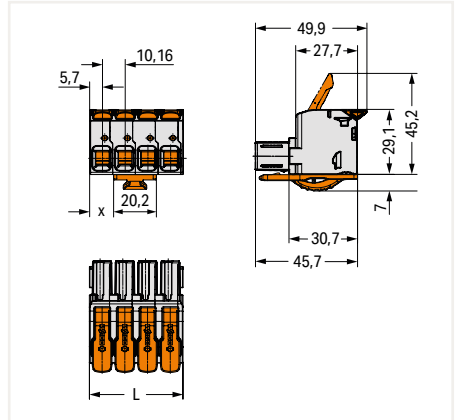
Pole No.	Item No.	PU
2	832-1102/322-000	20
3	832-1103/323-000	15
4	832-1104/322-000	10
5	832-1105/323-000	10
6	832-1106/322-000	5



L = (pole no. x pin spacing) + 1.3 mm



L = (pole no. x pin spacing) + 1.3 mm



L = (pole no. x pin spacing) + 1.3 mm

PU = Packaging Unit; SPU = Subpackaging Unit; Dimensions in mm

Other versions (or variants) can be requested from WAGO Sales or configured at <https://configurator.wago.com/>.

- Other pole numbers

1-conductor female plug ▶ MCS MAXI 16 ▶ 832 Series

Pin spacing: 10.16 mm / 0.4 inch ▶ Actuation type: Lever ▶ Push-in CAGE CLAMP® ▶ Color: light gray

Locking of plug-in connection: Center locking lever ▶ Strain relief plate

Mounting type: DIN-35 rail; Panel mounting

Mounting type: DIN-35 rail; Panel mounting ▶ Locking of plug-in connection: Lateral locking lever



832-1102/342-000



832-1102/306-000



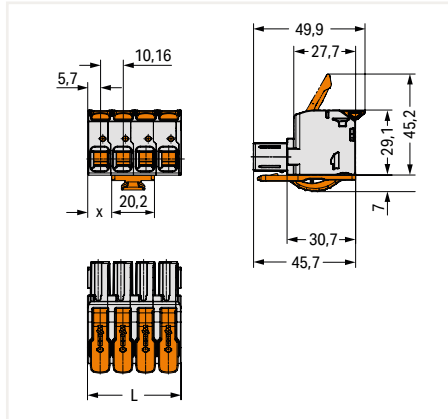
832-1102/037-000/306-000

Pole No.	Item No.	PU
2	832-1102/342-000	20
3	832-1103/343-000	15
4	832-1104/344-000	10
5	832-1105/345-000	10
6	832-1106/344-000	5

Pole No.	Item No.	PU
2	832-1102/306-000	5
3	832-1103/306-000	5
4	832-1104/306-000	5
5	832-1105/306-000	5
6	832-1106/306-000	5

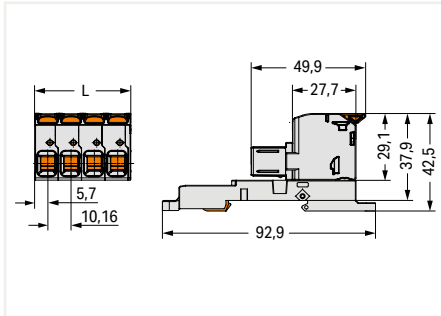
Pole No.	Item No.	PU
2	832-1102/037-000/306-000	5
3	832-1103/037-000/306-000	5
4	832-1104/037-000/306-000	5
5	832-1105/037-000/306-000	5
6	832-1106/037-000/306-000	5

Dimensions in mm



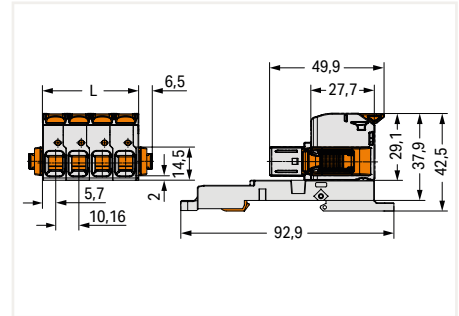
$L = (\text{pole no.} \times \text{pin spacing}) + 1.3 \text{ mm}$

Dimensions in mm



$L = \text{pole no.} \times \text{pin spacing} + 1.3 \text{ mm}$

Dimensions in mm



$L = \text{pole no.} \times \text{pin spacing} + 1.3 \text{ mm}$

PU = Packaging Unit; SPU = Subpackaging Unit

Other versions (or variants) can be requested from WAGO Sales or configured at <https://configurator.wago.com/>.

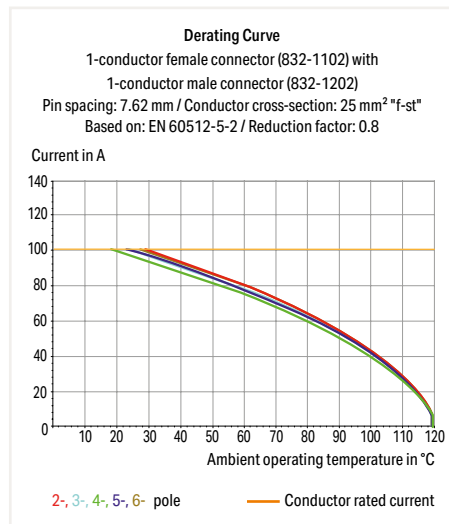
- Other pole numbers

1-conductor male connector ▶ MCS MAXI 16 ▶ 832 Series

Pin spacing: 10.16 mm / 0.4 inch ▶ Actuation type: Lever ▶ Push-in CAGE CLAMP® ▶ Color: light gray



- Intuitive and tool-free lever actuation
- Universal connection for all conductor types
- Push-in termination of solid or ferruled conductors
- Test slot 0° and 90° to conductor entry
- 100% protected against mismatching
- Coding option available

**Electrical Data**

Ratings per		IEC/EN 60664-1		
Overvoltage category		III	III	II
Pollution degree		3	2	2
Rated voltage		1000 V	1000 V	1000 V
Rated impulse voltage		8 kV	8 kV	8 kV
Rated current		76 A	76 A	76 A
Approbations per		UL 1059		
Use group		B	C	D
Rated voltage		600 V	600 V	-
Rated current		66 A	66 A	-
Approbations per		UL 1977		
Rated voltage		600 V		
Rated current		85 A		
Approbations per		CSA		
Use group		B	C	D
Rated voltage		600 V	600 V	-
Rated current		66 A	66 A	-

Connection Data

Connection technology	Push-in CAGE CLAMP®
Strip length	18 ... 20 mm / 0.71 ... 0.79 inch
Solid conductor	0.75 ... 16 mm ² / 18 ... 4 AWG
Fine-stranded conductor	0.75 ... 25 mm ² / 18 ... 4 AWG
Fine-stranded conductor; with insulated ferrule	0.75 ... 16 mm ²
Fine-stranded conductor; with uninsulated ferrule	0.75 ... 16 mm ²

Material Data

Material group	I
Insulation material	Polybutylene terephthalate (PBT)
Flammability class per UL94	V0
Clamping spring material	Chrome nickel spring steel (CrNi)
Contact material	Electrolytic copper (E _{cu})
Contact plating	Silver-plated

Environmental Requirements

Limit temperature range	-60 ... +120 °C
-------------------------	-----------------

The MCS – MULTI CONNECTION SYSTEM includes connectors without breaking capacity in accordance with DIN EN 61984. When used as intended, these connectors must not be connected/disconnected when live or under load. The circuit design should ensure header pins, which can be touched, are not live when unmated.

Coding Page 777

Ferrule Page 879

Strain relief Page 780

See technical section for further information

For approvals and corresponding ratings, visit www.wago.com

1-conductor male connector ▶ MCS MAXI 16 ▶ 832 Series

Pin spacing: 10.16 mm / 0.4 inch ▶ Actuation type: Lever ▶ Push-in CAGE CLAMP® ▶ Color: light gray

Mounting type: DIN-35 rail; Panel mounting



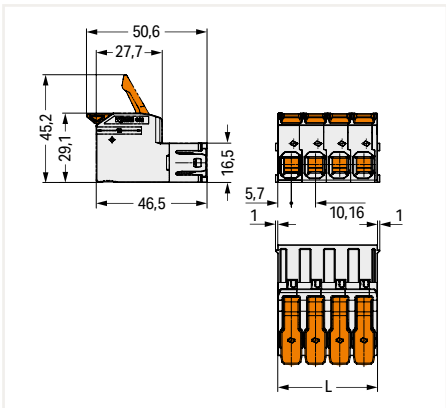
832-1202

832-1202/306-000

Pole No.	Item No.	PU
2	832-1202	60
3	832-1203	45
4	832-1204	20
5	832-1205	20
6	832-1206	10

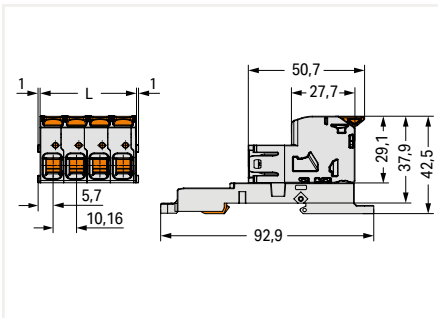
Pole No.	Item No.	PU
2	832-1202/306-000	10
3	832-1203/306-000	5
4	832-1204/306-000	5
5	832-1205/306-000	5
6	832-1206/306-000	5

Dimensions in mm



$L = (\text{pole no.} \times \text{pin spacing}) + 1.3 \text{ mm}$

Dimensions in mm



$L = \text{pole no.} \times \text{pin spacing} + 1.3 \text{ mm}$

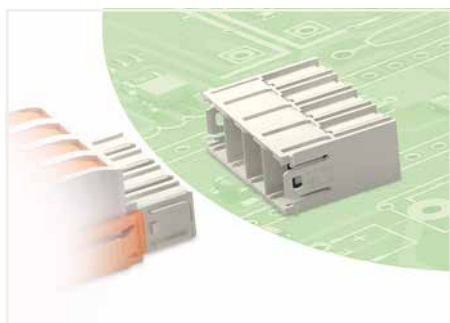
PU = Packaging Unit; SPU = Subpackaging Unit

Other versions (or variants) can be requested from WAGO Sales or configured at <https://configurator.wago.com/>.

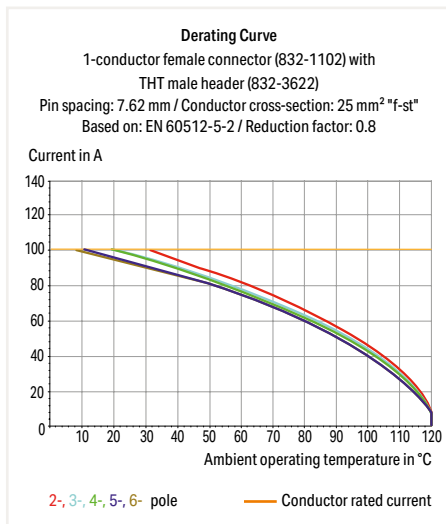
- Other pole numbers

THT male header ▶ MCS MAXI 16 ▶ 832 Series

Pin spacing: 10.16 mm / 0.4 inch ▶ Solder pin dimensions: 1.2 x 1.2 mm ▶ Color: light gray



- Male header may be mounted horizontally or vertically via straight or angled solder pins
- Three solder pins per pole provide high electrical and mechanical stability
- Mating face (IP2XB) with higher protection against accidental contact
- 100% protected against mismatching
- Coding via coding fingers

**Electrical Data**

		IEC/EN 60664-1		
Ratings per		III	III	II
Overtoltage category		3	2	2
Pollution degree		3	2	2
Rated voltage		800 V	1000 V	1000 V
Rated impulse voltage		8 kV	8 kV	8 kV
Rated current		76 A	76 A	76 A
Approbations per		UL 1059		
Use group		B	C	D
Rated voltage		300 V	300 V	600 V
Rated current		66 A	66 A	5 A
Approbations per		UL 1977		
Rated voltage		600 V		
Rated current		85 A		
Approbations per		CSA		
Use group		B	C	D
Rated voltage		300 V	300 V	600 V
Rated current		66 A	66 A	5 A

Material Data

Material group	I
Insulation material	Polybutylene terephthalate (PBT)
Flammability class per UL94	V0
Clamping spring material	Chrome nickel spring steel (CrNi)
Contact material	Electrolytic copper (E _{Co})
Contact plating	Silver-plated

Mechanical Data

Solder pin arrangement	Over the entire male connector (in-line)
Solder pin length	4 mm
Solder pin dimensions	1.2 x 1.2 mm
Drilled hole diameter with tolerance	1.7 ^(+0.1) mm

Environmental Requirements

Limit temperature range	-60 ... +120 °C
-------------------------	-----------------

The MCS – MULTI CONNECTION SYSTEM includes connectors without breaking capacity in accordance with DIN EN 61984. When used as intended, these connectors must not be connected/disconnected when live or under load. The circuit design should ensure header pins, which can be touched, are not live when unmated.

Coding Page 777

See technical section for further information

For approvals and corresponding ratings, visit www.wago.com

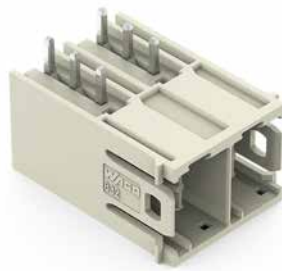
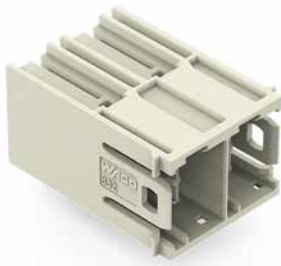
THT male header ▶ MCS MAXI 16 ▶ 832 Series

Pin spacing: 10.16 mm / 0.4 inch ▶ Solder pin dimensions: 1.2 x 1.2 mm ▶ Color: light gray

Mating direction to the PCB: 0°

Mating direction to the PCB: 180°

Mating direction to the PCB: 90°



832-3622

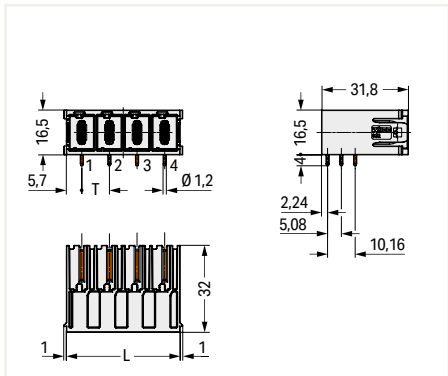
832-3642

832-3602

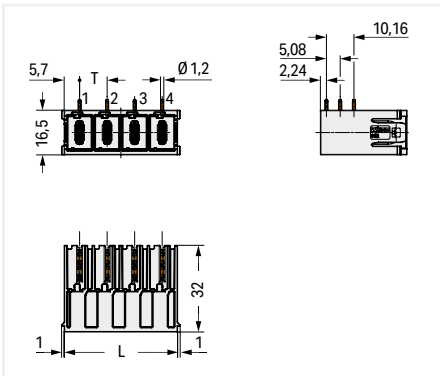
Pole No.	Item No.	PU
2	832-3622	60
3	832-3623	45
4	832-3624	20
5	832-3625	20
6	832-3626	10

Pole No.	Item No.	PU
2	832-3642	60
3	832-3643	45
4	832-3644	20
5	832-3645	20
6	832-3646	10

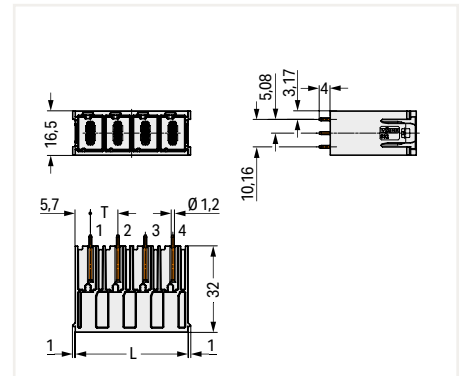
Pole No.	Item No.	PU
2	832-3602	60
3	832-3603	45
4	832-3604	20
5	832-3605	20
6	832-3606	10



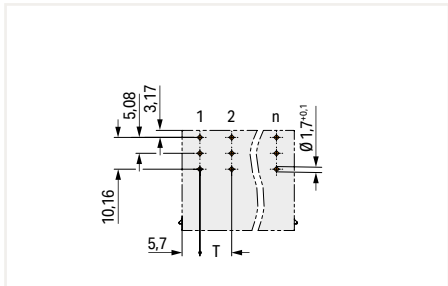
L = (pole no. x pin spacing) + 1.3 mm



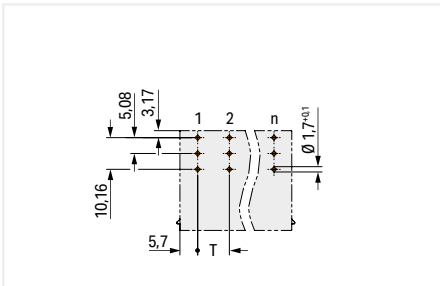
L = (pole no. x pin spacing) + 1.3 mm



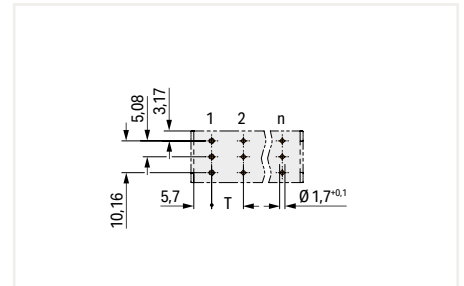
L = (pole no. x pin spacing) + 1.3 mm



L = (pole no. x pin spacing) + 1.3 mm



L = (pole no. x pin spacing) + 1.3 mm



L = (pole no. x pin spacing) + 1.3 mm

10

PU = Packaging Unit; SPU = Subpackaging Unit; Dimensions in mm

Other versions (or variants) can be requested from WAGO Sales or configured at <https://configurator.wago.com/>.

- Other pole numbers
- Protection against PCB mounting errors

Strain Relief Plates and Coding Pins

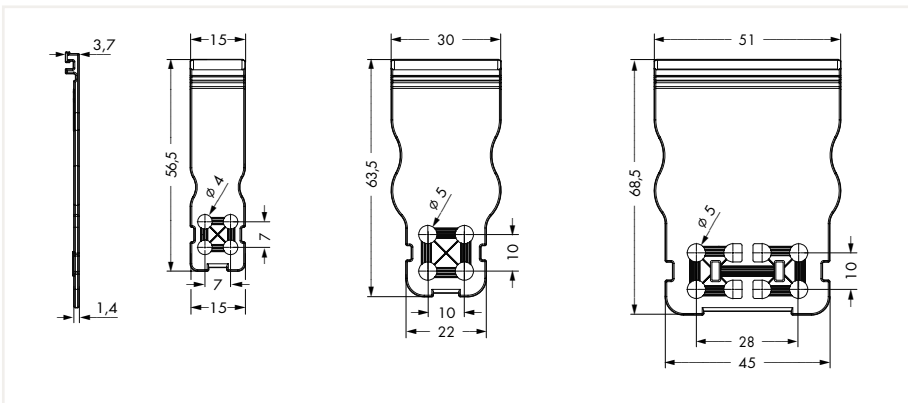
MCS MAXI 6



Strain relief plate; for inserting; light gray			
Pole No.	Width	Item No.	PU
2 ... 3	15 mm	831-503	96 (24)
4 ... 6	30 mm	831-505	48 (24)
7 ... 9	51 mm	831-506	48 (24)

Strain relief plate; factory assembled; light gray		
Pole No.	Width	Item No. Suffix *
2 ... 3	15 mm	.../133-000
4 ... 6	30 mm	.../135-000
7 ... 9	51 mm	.../136-000

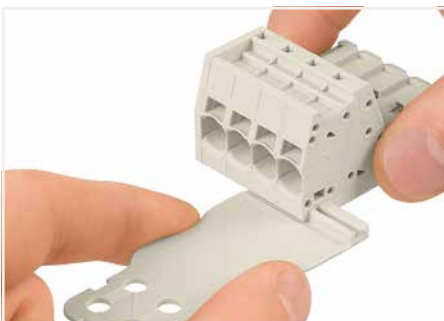
*An "item no. suffix," referring to the width of the strain relief plate, is added to the "basic item no." and determines the type of male or female connector.



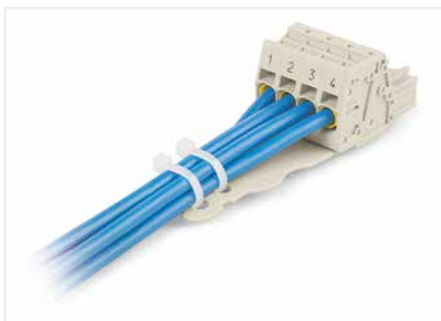
10

The arrangement of the attachments for cable ties allows single conductors or multi-core cables to be secured in different ways. The width of the cable ties must correspond to the hole dimensions of the strain relief plates shown above.

Cable ties and binding tools are not offered by WAGO.



Strain relief plate for field assembly



Strain relief plate; pre-assembled; 1-conductor female connector; 4-pole; 7.62 mm pin spacing; light gray (831-3104/135-000)

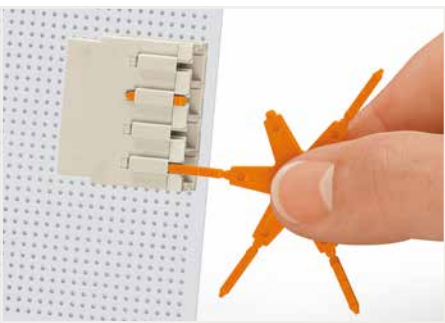
Coding Pins

MCS MAXI 6; MCS MAXI 16

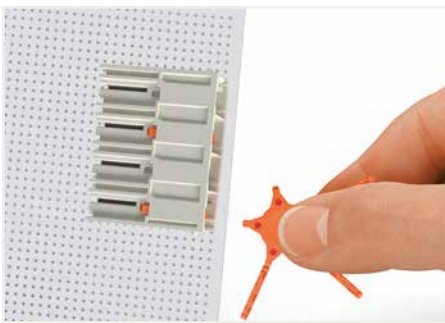


Coding pin carrier; with six coding pins; for THT male headers		
Color	Item No.	PU (SPU)
orange	831-500	100 (25)

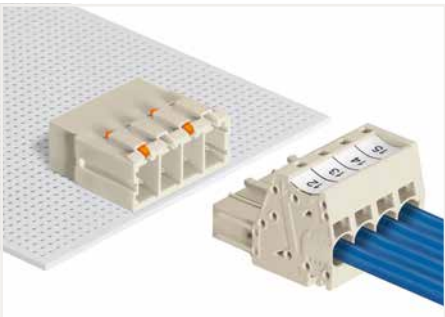
Coding pin carrier; with six coding pins; for male and female connectors MCS MAXI 16		
Color	Item No.	PU (SPU)
orange	832-500	100 (25)



Coding a THT male header by inserting a coding pin.



Coding a THT male header by inserting a coding pin.



Coded connectors

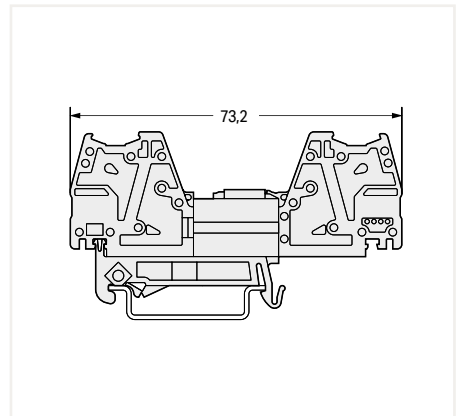
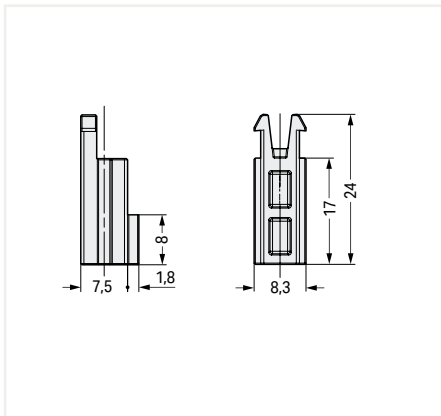
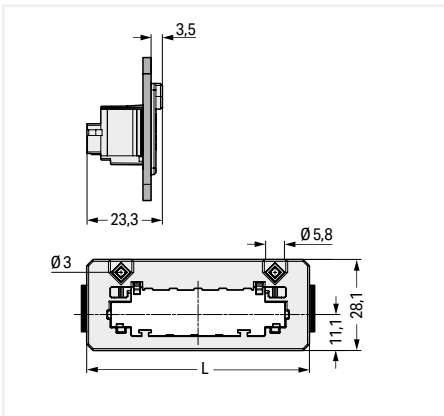
Snap-In Frames; Lockout Pins; Mounting Adapter MCS MAXI 6



Snap-in frame for MCS MAXI male connectors; light gray			
Pole No.	Width	Item-No.	PU
2	45.84 mm	831-302	48
3	53.46 mm	831-303	48
4	61.08 mm	831-304	24
5	68.7 mm	831-305	12

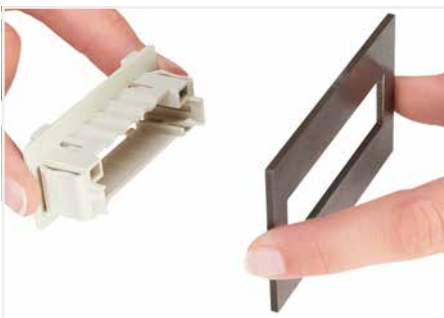
Lockout pins for snap-in frames		
Color	Item-No.	PU
light gray	831-321	100

Mounting adapter for DIN-35 rail; for male connectors		
Color	Item-No.	PU
light gray	831-137	48



$L = (\text{pole no.} \times 7.62 \text{ mm}) + 30.6 \text{ mm}$

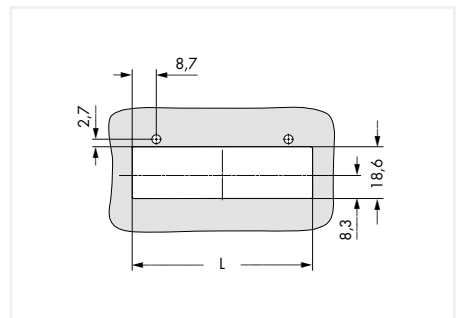
10



Insert the snap-in frame into the cutout.



Insert the male connector into the snap-in frame.



$L = (\text{pole no.} \times 7.62 \text{ mm}) + 26.8 \text{ mm}$
Panel cutout for snap-in frame



Inserting a female connector equipped with lateral locking levers.



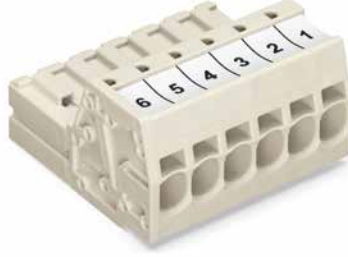
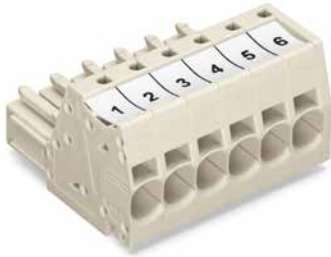
Inserting a female connector without lateral locking levers – lockout pins are inserted on both sides of the snap-in frame.

- Snap-in frames for through-panel MCS MAXI 6 connectors
- Fast and easy installation – without tools
- Compatible with MCS MAXI 6 male and female connectors
- For panel thickness ranging
- Optional screw mounting

PU = Packaging Unit; SPU = Subpackaging Unit; Dimensions in mm

Marking Strips

MCS MAXI 6



Marking strip; 1 ... pole no.; for marking female connectors; perpendicular to conductor entry

Pole No.	Item No.	PU
2	2009-110/762-802	100
3	2009-110/762-803	100
4	2009-110/762-804	100
5	2009-110/762-805	100
6	2009-110/762-806	100
7	2009-110/762-807	100
8	2009-110/762-808	100
9	2009-110/762-809	100

Marking strip; pole no. ... 1; for marking male connectors; perpendicular to conductor entry

Pole No.	Item No.	PU
2	2009-110/762-852	50
3	2009-110/762-853	50
4	2009-110/762-854	50
5	2009-110/762-855	50
6	2009-110/762-856	50
7	2009-110/762-857	50
8	2009-110/762-858	50
9	2009-110/762-859	50

MCS MAXI male and female connectors can also be marked via Mini-WSB or WMB markers (see Section 12).

PU = Packaging Unit; SPU = Subpackaging Unit; Dimensions in mm

Available upon request (depending on quantity required):
Customized marking

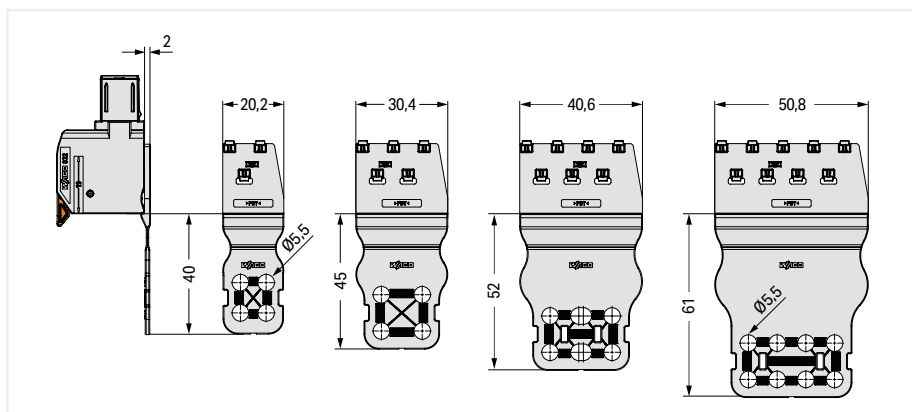
Strain Relief Plate ▶ for Male and Female Connectors with Push-in CAGE CLAMP® Connection ▶

Color: light gray

MCS MAXI 16

**Strain relief plate ▶ for inserting**

Pol No.	Width	Item No.	PU
2	20,2 mm	832-532	60
3	30,4 mm	832-533	45
4	40,6 mm	832-534	40
5	50,8 mm	832-535	40



The arrangement of the attachments for cable ties allows single conductors or multi-core cables to be secured in different ways. The width of the cable ties must correspond to the hole dimensions of the strain relief plates shown above.

Cable ties and binding tools are not offered by WAGO.



Strain relief plate for field assembly

Strain relief plate with locking lever ▶ Locking lever ▶ for Male and Female Connectors with Push-in CAGE CLAMP® Connection ▶ Color: orange MCS MAXI 16

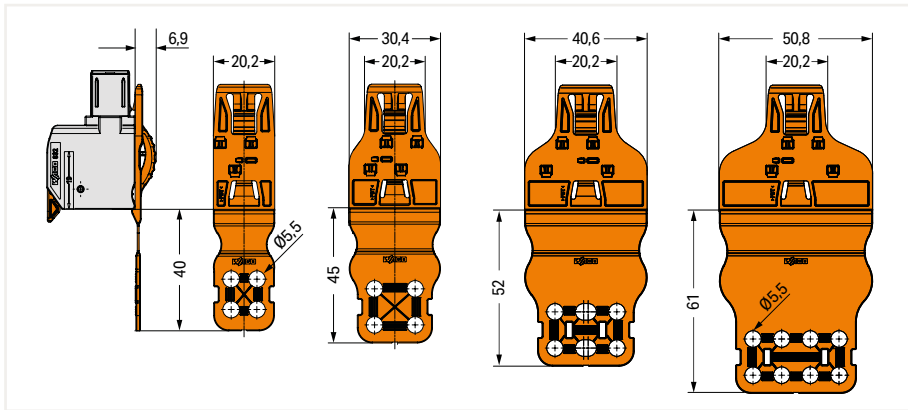


Strain relief plate ▶ for inserting ▶ with locking lever

Pol No.	Width	Item No.	PU
2	20,2 mm	832-542	60
3	30,4 mm	832-543	45
4	40,6 mm	832-544	40
5	50,8 mm	832-545	40

Locking lever ▶ for inserting

Pol No.	Width	Item No.	PU
2; 4; 6	20,2 mm	832-522	60
3; 5	20,2 mm	832-523	40



The arrangement of the attachments for cable ties allows single conductors or multi-core cables to be secured in different ways. The width of the cable ties must correspond to the hole dimensions of the strain relief plates shown above.

Cable ties and binding tools are not offered by WAGO.



Strain relief plate with locking lever for factory assembly

Locking lever for field assembly

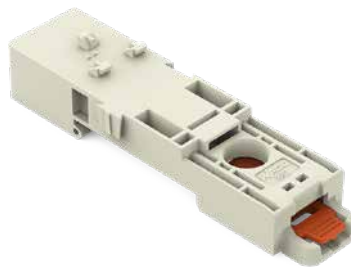
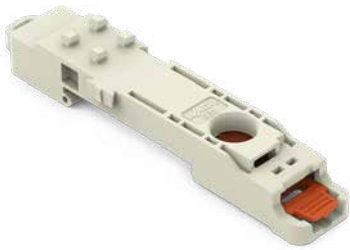
10

PU = Packaging Unit; SPU = Subpackaging Unit; Dimensions in mm

Mounting Adapters ▶ for Male and Female Connectors with Push-in CAGE CLAMP® Connection

Color: light gray

MCS MAXI 6 and MCS MAXI 16



Mounting adapter ▶ for DIN-35 rail ▶ to snap on for MCS MAXI 6

Item number	PU
831-1032	12

Mounting adapter ▶ for DIN-35 rail ▶ to snap on for MCS MAXI 16

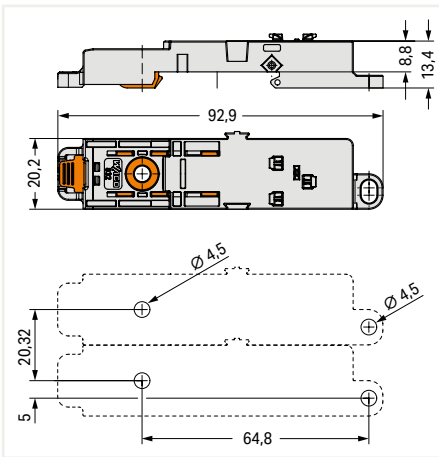
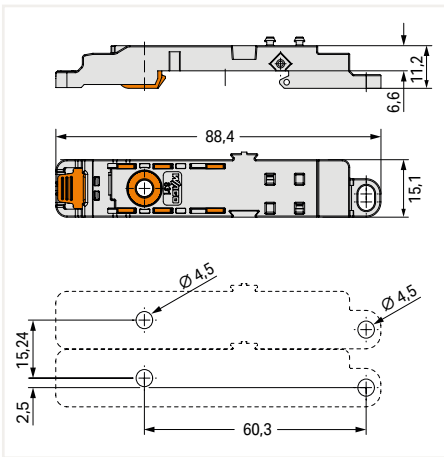
Item number	PU
832-1032	10

Mounting adapter ▶ for DIN-35 rail ▶ to snap on with locking plate for MCS MAXI 6

Item number	PU
831-1038	12

Mounting adapter ▶ for DIN-35 rail ▶ to snap on with locking plate for MCS MAXI 16

Item number	PU
832-1038	10



10