













WAGO PCB Terminal Blocks

WAGO PCB Terminal Blocks

	Nominal Cross-Section	Series	Page
	PCB Terminal Blocks ▶ Actuation type: Operating tool ▶ CAGE CLAMP®	0.5 mm ²	233 20
		2.5 mm ²	236 22
		4; 6; 16 mm ²	745 36
		2.5 mm ²	736 58
		2.5 mm ²	737 66
		2.5 mm ²	738 74
		1.5; 2.5 mm ²	739 78
	PCB Terminal Blocks ▶ Actuation type: Push-button, Locking slide, Lever ▶ CAGE CLAMP®	0.5 mm ²	218 96
		0.5 mm ²	233 100
		0.5 mm ²	234 102
		2.5 mm ²	255 106
		2.5 mm ²	256 112
		2.5 mm ²	257 122
		6 mm ²	2706 134
	2-Conductor PCB Terminal Blocks ▶ Actuation type: Operating tool ▶ Push-in CAGE CLAMP®	1.5 mm ²	816 142
		10 mm ²	746 144
	PCB Terminal Blocks ▶ Actuation type: Operating tool ▶ Push-in CAGE CLAMP®	6 mm ²	2624 146
		10 mm ²	2626 152
		16 mm ²	2636 158
	PCB Terminal Blocks ▶ Actuation type: Push-button, Lever ▶ Push-in CAGE CLAMP®	0.5; 1.5 mm ²	250 166
		0.75; 1.5 mm ²	235 180
		1.5 mm ²	805 190
		2.5 mm ²	804 196
		4 mm ²	2604 198
		10 mm ²	2606 204
	PCB Terminal Blocks ▶ Actuation type: Operating tool ▶ PUSH WIRE®	1.5; 2.5 mm ²	235 216
		2.5 mm ²	254 226
		1.5 mm ²	744 230
	PCB Terminal Blocks ▶ Actuation type: Push-button ▶ PUSH WIRE®	1.5 mm ²	735 234
	2-conductor PCB Terminal Blocks ▶ Actuation type: Operating tool ▶ PUSH WIRE®	1.5 mm ²	253 242
	PCB Terminal Blocks ▶ Actuation type: Operating tool ▶ PUSH WIRE® ▶ IDC-Anschluss	1.5 mm ²	251
	Modular PCB Disconnect/Test Terminal Blocks ▶ Actuation type: Operating tool ▶ CAGE CLAMP®	2.5 mm ²	742 246
	Modular PCB Fuse Terminal Blocks ▶ Actuation type: Operating tool ▶ CAGE CLAMP®	2.5 mm ²	742 254
	Accessories for PCB Terminal Blocks		258
	Accessories and Tools		861

233 and 236 Series Description and Installation

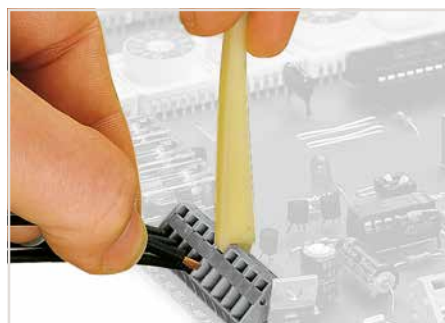
1



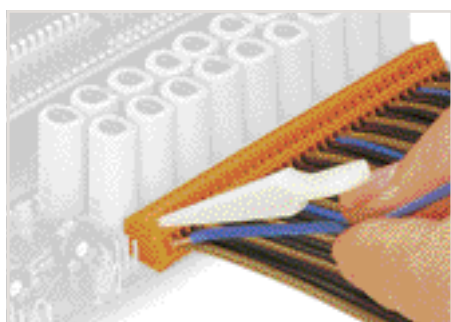
Inserting a conductor via 3.5 mm screwdriver. Screwdriver actuation parallel to conductor entry.



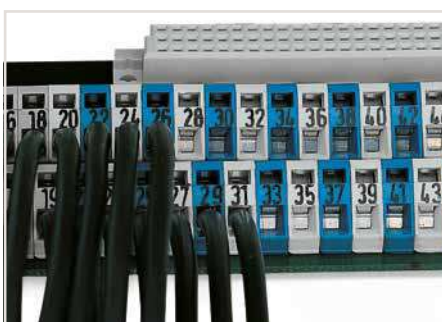
Inserting a conductor via 3.5 mm screwdriver. Screwdriver actuation perpendicular to conductor entry.



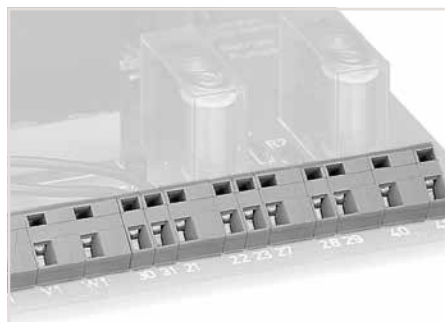
Inserting a conductor via operating tool.



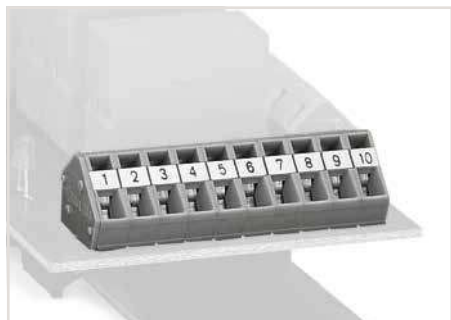
Inserting a conductor via 233-332 Operating Tool. Operation is performed parallel to conductor entry.



PCB Terminal Strips placed behind each other save space – staggering them by half the pin spacing simplifies subsequent wiring of the first row.



Combining PCB terminal blocks with different pin spacing.



Labeling with self-adhesive marking strips.

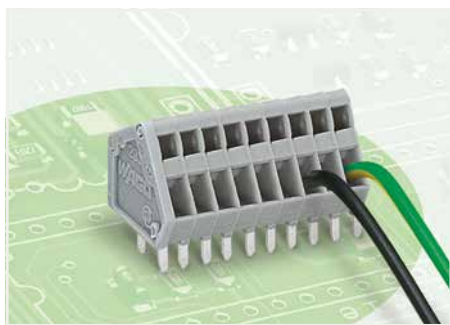


Labeling via factory direct marking.

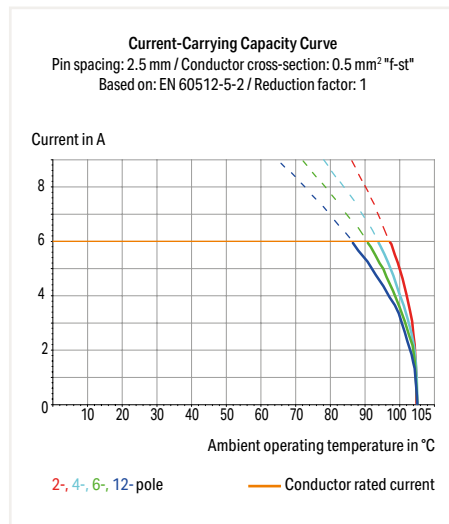
PCB terminal block ▶ 233 Series

CAGE CLAMP® ▶ Actuation type: Operating tool ▶ 0.5 mm²

1



- Compact terminal strips with CAGE CLAMP® connection and screwdriver actuation parallel or perpendicular to conductor entry
- Double solder pins for high mechanical stability
- Custom color combinations

**Electrical Data**

Pin spacing	2.54 mm / 0.1 inch; 2.5 mm / 0.098 inch		
Ratings per	IEC/EN 60664-1		
Overvoltage category	III	III	II
Pollution degree	3	2	2
Rated voltage	63 V	160 V	320 V
Rated impulse voltage	2.5 kV	2.5 kV	2.5 kV
Rated current	6 A	6 A	6 A
Approbations per	UL 1059		
Use group	B	C	D
Rated voltage	150 V	-	-
Rated current	4 A	-	-
Approbations per	CSA		
Use group	B	C	D
Rated voltage	150 V	-	-
Rated current	4 A	-	-

Connection Data

Connection technology	CAGE CLAMP®
Strip length	5 ... 6 mm / 0.2 ... 0.24 inch
Conductor connection direction to PCB	30 °
Solid conductor	0.08 ... 0.5 mm ² / 28 ... 20 AWG
Fine-stranded conductor	0.08 ... 0.5 mm ² / 28 ... 20 AWG
Fine-stranded conductor; with insulated ferrule	0.25 mm ²
Fine-stranded conductor; with uninsulated ferrule	0.25 mm ²
Note (conductor cross-section)	Terminating 0.75 mm ² /18 AWG conductors is possible; however insulation diameter allows only every other clamping unit to be terminated with this conductor size.

Material Data

Material group	I
Insulation material	Polyamide (PA66)
Flammability class per UL94	V0
Clamping spring material	Chrome nickel spring steel (CrNi)
Contact material	Electrolytic copper (E _{cu})
Contact plating	Tin-plated

Mechanical Data

Solder pin arrangement	Over the entire terminal strip (in-line)
Solder pin length	4 mm
Solder pin dimensions	0.5 x 0.75 mm
Drilled hole diameter with tolerance	1.1 (+0.1) mm

Environmental Requirements

Limit temperature range	-60 ... +105 °C
--------------------------------	-----------------

Ferrule Page 879

Marking Page 864

Tool Page 870

See technical section for further information

For approvals and corresponding ratings, visit www.wago.com

PCB terminal block ▶ 233 Series

CAGE CLAMP® ▶ Actuation type: Operating tool ▶ 0.5 mm²

Pin spacing: 2.5 mm / 0.098 inch ▶ Color: gray

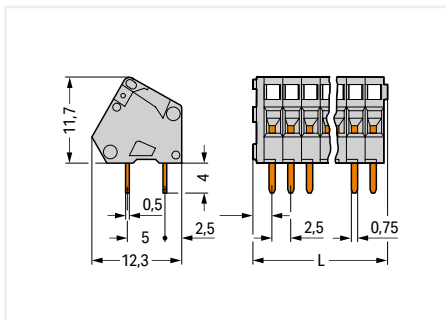
Pin spacing: 2.54 mm / 0.1 inch ▶ Color: orange

1

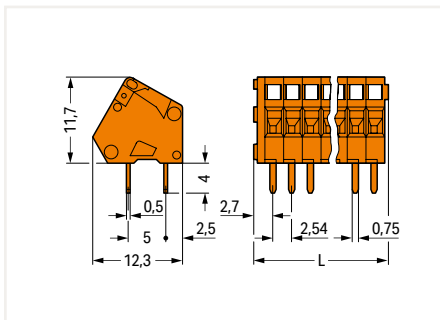


Pole No.	Item No.	PU (SPU)
2	233-102	600 (100)
3	233-103	500 (125)
4	233-104	400 (100)
5	233-105	340 (85)
6	233-106	280 (70)
7	233-107	240 (60)
8	233-108	220 (55)
9	233-109	200 (50)
10	233-110	180 (45)
12	233-112	140 (35)

Pole No.	Item No.	PU (SPU)
2	233-402	600 (100)
3	233-403	500 (125)
4	233-404	400 (100)
5	233-405	340 (85)
6	233-406	280 (70)
7	233-407	240 (60)
8	233-408	220 (55)
9	233-409	200 (50)
10	233-410	180 (45)
12	233-412	140 (35)



L = (pole no. x pin spacing) + 2.3 mm



L = (pole no. x pin spacing) + 2.3 mm

PU = Packaging Unit; SPU = Subpackaging Unit; Dimensions in mm

Other versions (or variants) can be requested from WAGO Sales or configured at <https://configurator.wago.com/>.

- Other pole numbers
- Other colors
- Mixed-color PCB connector strips
- Direct marking

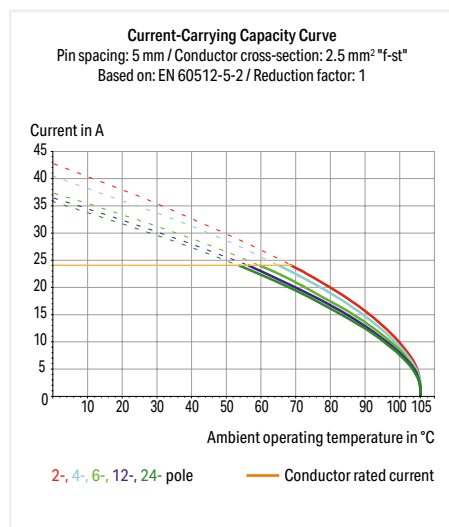
Stackable PCB terminal block ▶ 236 Series

CAGE CLAMP® ▶ Actuation type: Operating tool ▶ 2.5 mm² ▶ Pin spacing: 5/5.08 mm / 0.197/0.2 inch

1



- Modular PCB terminal blocks with CAGE CLAMP® connection, screwdriver actuation parallel or perpendicular to conductor entry
- Versions with Ex approval
- For custom PCB terminal strip assemblies
- Operating tools for factory wiring
- 45° conductor entry angle permits a wide range of applications and wiring options
- Set to metric or inch pin spacing by compressing PCB terminal strips or pulling them apart



Electrical Data

Pin spacing	5/5.08 mm / 0.197/0.2 inch		
Ratings per	IEC/EN 60664-1		
Overvoltage category	III	III	II
Pollution degree	3	2	2
Rated voltage	250 V	320 V	630 V
Rated impulse voltage	4 kV	4 kV	4 kV
Rated current	24 A	24 A	24 A
Approbations per	UL 1059		
Use group	B	C	D
Rated voltage	300 V	-	300 V
Rated current	15 A	-	10 A
Approbations per	CSA		
Use group	B	C	D
Rated voltage	300 V	-	300 V
Rated current	15 A	-	10 A

Connection Data

Connection technology	CAGE CLAMP®
Strip length	5 ... 6 mm / 0.2 ... 0.24 inch
Conductor connection direction to PCB	45°
Solid conductor	0.08 ... 2.5 mm ² / 28 ... 12 AWG
Fine-stranded conductor	0.08 ... 2.5 mm ² / 28 ... 12 AWG
Fine-stranded conductor; with insulated ferrule	0.25 ... 1.5 mm ²
Fine-stranded conductor; with uninsulated ferrule	0.25 ... 1.5 mm ²
Note (conductor cross-section)	12 AWG: THHN, THWN

Material Data

Material group	I
Insulation material	Polyamide (PA66)
Flammability class per UL94	V0
Clamping spring material	Chrome nickel spring steel (CrNi)
Contact material	Electrolytic copper (E _{cu})
Contact plating	Tin-plated

Mechanical Data

Solder pin length	4 mm
Solder pin dimensions	0.7 x 0.7 mm
Drilled hole diameter with tolerance	1.1 (+0.1) mm

Environmental Requirements

Limit temperature range	-60 ... +105 °C
-------------------------	-----------------

Ferrule [Page 879](#)

Marking [Page 865](#)

Test and measurement [Page 260](#)

Tool [Page 870](#)

See technical section for further information

For approvals and corresponding ratings, visit www.wago.com

Stackable PCB terminal block ▶ 236 Series

CAGE CLAMP® ▶ Actuation type: Operating tool ▶ 2.5 mm² ▶ Pin spacing: 5/5.08 mm / 0.197/0.2 inch

Number of solder pins per potential: 1

Number of solder pins per potential: 2

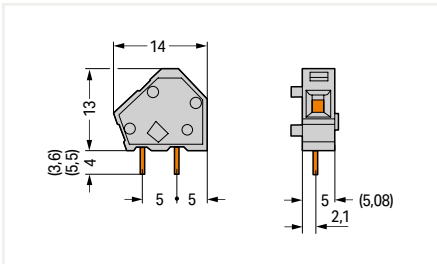
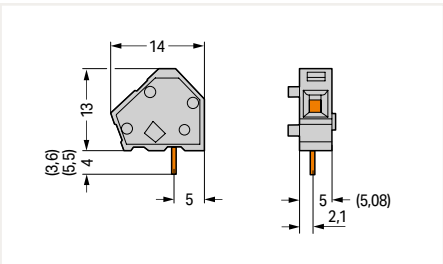


236-101

236-401

Color	Item No.	PU (SPU)
gray	236-101	600 (100)
blue	236-714	600 (100)
orange	236-716	600 (100)
black	236-854	600 (100)
yellow	236-711	600 (100)
light gray	236-713	600 (100)
green	236-715	600 (100)
light green	236-717	600 (100)
violet	236-894	600 (100)
brown	236-884	600 (100)
red	236-710	600 (100)
dark gray	236-712	600 (100)

Color	Item No.	PU (SPU)
gray	236-401	600 (100)
blue	236-744	600 (100)
orange	236-746	600 (100)
black	236-851	600 (100)
yellow	236-741	600 (100)
light gray	236-743	600 (100)
green	236-745	600 (100)
light green	236-747	600 (100)
violet	236-891	600 (100)
brown	236-881	600 (100)
red	236-740	600 (100)
dark gray	236-742	600 (100)



Accessories; for all products on this page



End plate; Width: 1 mm; snap-on type		
Color	Item No.	PU (SPU)
gray	236-100	2000 (100)
green	236-500	2000 (100)
light green	236-700	2000 (100)
red	236-800	2000 (100)

End plate; Width: 1 mm; Snap-on type		
Color	Item No.	PU (SPU)
blue	236-400	2000 (100)
orange	236-600	2000 (100)
black	236-850	2000 (100)
light gray	236-300	2000 (100)
dark gray	236-200	2000 (100)

PU = Packaging Unit; SPU = Subpackaging Unit; Dimensions in mm

Other versions (or variants) can be requested from WAGO Sales or configured at <https://configurator.wago.com/>.

- Versions for Ex e II and Ex i
- Solder pin length: 3.6 mm
- Solder pin length: 5.5 mm

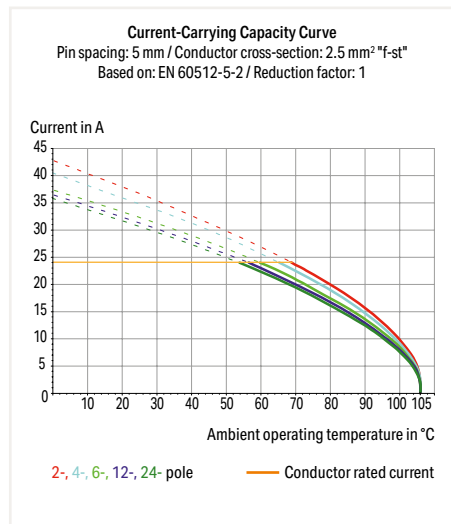
Stackable PCB terminal block ▶ 236 Series

CAGE CLAMP® ▶ Actuation type: Operating tool ▶ 2.5 mm² ▶ Pin spacing: 7.5/7.62 mm / 0.295/0.3 inch

1



- Modular PCB terminal blocks with CAGE CLAMP® connection, screwdriver actuation parallel or perpendicular to conductor entry
- Versions with Ex approval
- For custom PCB terminal strip assemblies
- Operating tools for factory wiring
- 45° conductor entry angle permits a wide range of applications and wiring options
- Set to metric or inch pin spacing by compressing PCB terminal strips or pulling them apart



Electrical Data

Pin spacing	7.5/7.62 mm / 0.295/0.3 inch		
Ratings per	IEC/EN 60664-1		
Overvoltage category	III	III	II
Pollution degree	3	2	2
Rated voltage	400 V	630 V	1000 V
Rated impulse voltage	6 kV	6 kV	6 kV
Rated current	24 A	24 A	24 A
Approbations per	UL 1059		
Use group	B	C	D
Rated voltage	300 V	-	300 V
Rated current	15 A	-	10 A
Approbations per	CSA		
Use group	B	C	D
Rated voltage	300 V	-	300 V
Rated current	15 A	-	10 A

Connection Data

Connection technology	CAGE CLAMP®
Strip length	5 ... 6 mm / 0.2 ... 0.24 inch
Conductor connection direction to PCB	45°
Solid conductor	0.08 ... 2.5 mm ² / 28 ... 12 AWG
Fine-stranded conductor	0.08 ... 2.5 mm ² / 28 ... 12 AWG
Fine-stranded conductor; with insulated ferrule	0.25 ... 1.5 mm ²
Fine-stranded conductor; with uninsulated ferrule	0.25 ... 1.5 mm ²
Note (conductor cross-section)	12 AWG: THHN, THWN

Material Data

Material group	I
Insulation material	Polyamide (PA66)
Flammability class per UL94	V0
Clamping spring material	Chrome nickel spring steel (CrNi)
Contact material	Electrolytic copper (E _{cu})
Contact plating	Tin-plated

Mechanical Data

Solder pin dimensions	0.7 x 0.7 mm
Drilled hole diameter with tolerance	1.1 ^(+0.1) mm

Environmental Requirements

Limit temperature range	-60 ... +105 °C
-------------------------	-----------------

Ferrule Page 879

Marking Page 865

Test and measurement Page 260

Tool Page 870

See technical section for further information

For approvals and corresponding ratings, visit www.wago.com

Stackable PCB terminal block ▶ 236 Series

CAGE CLAMP® ▶ Actuation type: Operating tool ▶ 2.5 mm² ▶ Pin spacing: 7.5/7.62 mm / 0.295/0.3 inch

Number of solder pins per potential: 1

Number of solder pins per potential: 2

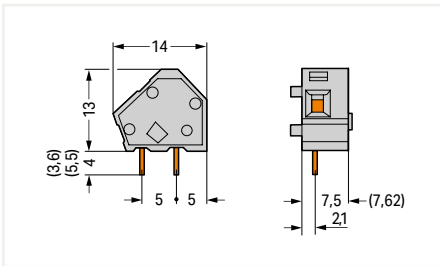
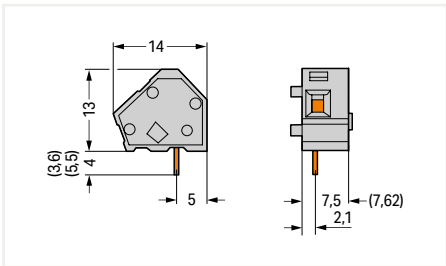


236-201

236-501

Color	Item No.	PU (SPU)
gray	236-201	400 (100)
blue	236-724	400 (100)
orange	236-726	400 (100)
black	236-855	400 (100)
light gray	236-723	400 (100)
green	236-725	400 (100)
light green	236-727	400 (100)
brown	236-885	400 (100)
dark gray	236-722	400 (100)

Color	Item No.	PU (SPU)
gray	236-501	400 (100)
blue	236-754	400 (100)
orange	236-756	400 (100)
black	236-852	400 (100)
light gray	236-753	400 (100)
green	236-755	400 (100)
light green	236-757	400 (100)
brown	236-882	400 (100)
dark gray	236-752	400 (100)



Accessories; for all products on this page



End plate; Width: 1 mm; snap-on type

Color	Item No.	PU (SPU)
gray	236-100	2000 (100)
green	236-500	2000 (100)
light green	236-700	2000 (100)
red	236-800	2000 (100)

End plate; Width: 1 mm; Snap-on type

Color	Item No.	PU (SPU)
blue	236-400	2000 (100)
orange	236-600	2000 (100)
black	236-850	2000 (100)
light gray	236-300	2000 (100)
dark gray	236-200	2000 (100)

PU = Packaging Unit; SPU = Subpackaging Unit; Dimensions in mm

Other versions (or variants) can be requested from WAGO Sales or configured at <https://configurator.wago.com/>.

- Versions for Ex e II and Ex i
- Solder pin length: 3.6 mm
- Solder pin length: 5.5 mm

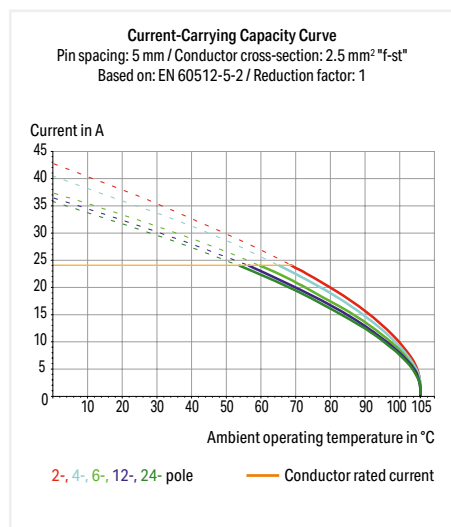
Stackable PCB terminal block ▶ 236 Series

CAGE CLAMP® ▶ Actuation type: Operating tool ▶ 2.5 mm² ▶ Pin spacing: 10/10.16 mm / 0.394/0.4 inch

1



- Modular PCB terminal blocks with CAGE CLAMP® connection, screwdriver actuation parallel or perpendicular to conductor entry
- Versions with Ex approval
- For custom PCB terminal strip assemblies
- Operating tools for factory wiring
- 45° conductor entry angle permits a wide range of applications and wiring options
- Set to metric or inch pin spacing by compressing PCB terminal strips or pulling them apart



Electrical Data

Pin spacing	10/10.16 mm / 0.394/0.4 inch		
Ratings per	IEC/EN 60664-1		
Overvoltage category	III	III	II
Pollution degree	3	2	2
Rated voltage	630 V	1000 V	1000 V
Rated impulse voltage	8 kV	8 kV	8 kV
Rated current	24 A	24 A	24 A
Approbations per	UL 1059		
Use group	B	C	D
Rated voltage	300 V	-	300 V
Rated current	15 A	-	10 A
Approbations per	CSA		
Use group	B	C	D
Rated voltage	300 V	-	300 V
Rated current	15 A	-	10 A

Connection Data

Connection technology	CAGE CLAMP®
Strip length	5 ... 6 mm / 0.2 ... 0.24 inch
Conductor connection direction to PCB	45°
Solid conductor	0.08 ... 2.5 mm ² / 28 ... 12 AWG
Fine-stranded conductor	0.08 ... 2.5 mm ² / 28 ... 12 AWG
Fine-stranded conductor; with insulated ferrule	0.25 ... 1.5 mm ²
Fine-stranded conductor; with uninsulated ferrule	0.25 ... 1.5 mm ²
Note (conductor cross-section)	12 AWG: THHN, THWN

Material Data

Material group	I
Insulation material	Polyamide (PA66)
Flammability class per UL94	V0
Clamping spring material	Chrome nickel spring steel (CrNi)
Contact material	Electrolytic copper (E _{cu})
Contact plating	Tin-plated

Mechanical Data

Solder pin length	4 mm
Solder pin dimensions	0.7 x 0.7 mm
Drilled hole diameter with tolerance	1.1 (+0.1) mm

Environmental Requirements

Limit temperature range	-60 ... +105 °C
-------------------------	-----------------

Ferrule Page 879

Marking Page 866

Tool Page 870

See technical section for further information

For approvals and corresponding ratings, visit www.wago.com

Stackable PCB terminal block ▶ 236 Series

CAGE CLAMP® ▶ Actuation type: Operating tool ▶ 2.5 mm² ▶ Pin spacing: 10/10.16 mm / 0.394/0.4 inch

Number of solder pins per potential: 1

Number of solder pins per potential: 2

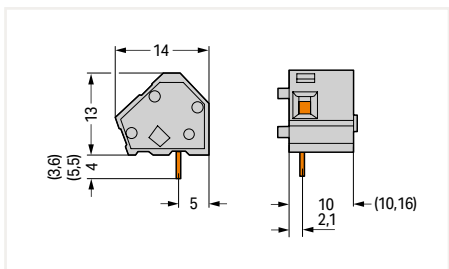


236-301

236-601

Color	Item No.	PU (SPU)
gray	236-301	300 (100)
blue	236-734	300 (100)
orange	236-736	300 (100)
black	236-856	300 (100)
light gray	236-733	300 (100)
green	236-735	300 (100)
light green	236-737	300 (100)
dark gray	236-732	300 (100)

Color	Item No.	PU (SPU)
gray	236-601	300 (100)
blue	236-764	300 (100)
orange	236-766	300 (100)
black	236-853	300 (100)
light gray	236-763	300 (100)
green	236-765	300 (100)
light green	236-767	300 (100)
dark gray	236-762	300 (100)



Accessories; for all products on this page



End plate; Width: 1 mm; snap-on type

Color	Item No.	PU (SPU)
gray	236-100	2000 (100)
green	236-500	2000 (100)
light green	236-700	2000 (100)
red	236-800	2000 (100)

End plate; Width: 1 mm; Snap-on type

Color	Item No.	PU (SPU)
blue	236-400	2000 (100)
orange	236-600	2000 (100)
black	236-850	2000 (100)
light gray	236-300	2000 (100)
dark gray	236-200	2000 (100)

PU = Packaging Unit; SPU = Subpackaging Unit; Dimensions in mm

Other versions (or variants) can be requested from WAGO Sales or configured at <https://configurator.wago.com/>.

- Versions for Ex e II and Ex i
- Solder pin length: 3.6 mm
- Solder pin length: 5.5 mm

PCB terminal block ▶ 236 Series

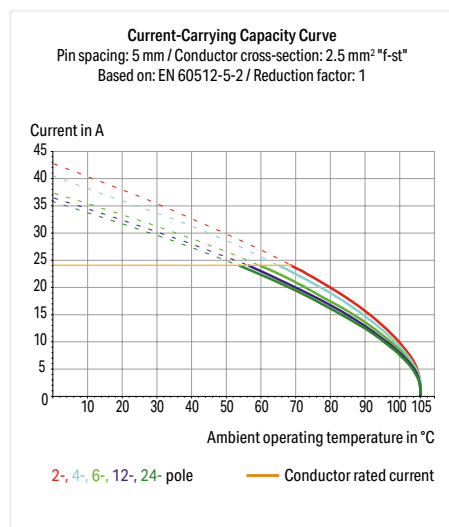
CAGE CLAMP® ▶ Actuation type: Operating tool ▶ 2.5 mm² ▶ Pin spacing: 5/5.08 mm /

0.197/0.2 inch ▶ Color: gray

1



- PCB terminal strips with CAGE CLAMP® connection, screwdriver actuation parallel or perpendicular to conductor entry
- Versions with Ex approval
- Mixed-color PCB terminal strips from factory
- Operating tools for factory wiring
- 45° conductor entry angle permits a wide range of applications and wiring options
- Set to metric or inch pin spacing by compressing PCB terminal strips or pulling them apart



Electrical Data

Pin spacing	5/5.08 mm / 0.197/0.2 inch		
Ratings per	IEC/EN 60664-1		
Overvoltage category	III	III	II
Pollution degree	3	2	2
Rated voltage	250 V	320 V	630 V
Rated impulse voltage	4 kV	4 kV	4 kV
Rated current	24 A	24 A	24 A
Approbations per	UL 1059		
Use group	B	C	D
Rated voltage	300 V	-	300 V
Rated current	15 A	-	10 A
Approbations per	CSA		
Use group	B	C	D
Rated voltage	300 V	-	300 V
Rated current	15 A	-	10 A

Connection Data

Connection technology	CAGE CLAMP®
Strip length	5 ... 6 mm / 0.2 ... 0.24 inch
Conductor connection direction to PCB	45°
Solid conductor	0.08 ... 2.5 mm ² / 28 ... 12 AWG
Fine-stranded conductor	0.08 ... 2.5 mm ² / 28 ... 12 AWG
Fine-stranded conductor; with insulated ferrule	0.25 ... 1.5 mm ²
Fine-stranded conductor; with uninsulated ferrule	0.25 ... 1.5 mm ²
Note (conductor cross-section)	12 AWG: THHN, THWN

Material Data

Material group	I
Insulation material	Polyamide (PA66)
Flammability class per UL94	V0
Clamping spring material	Chrome nickel spring steel (CrNi)
Contact material	Electrolytic copper (E _{cu})
Contact plating	Tin-plated

Mechanical Data

Solder pin arrangement	Over the entire terminal strip (in-line)
Solder pin length	4 mm
Solder pin dimensions	0.7 x 0.7 mm
Drilled hole diameter with tolerance	1.1 (+0.1) mm

Environmental Requirements

Limit temperature range	-60 ... +105 °C
-------------------------	-----------------

Ferrule	Page 879
Marking	Page 865
Test and measurement	Page 260
Tool	Page 870
Commoning strips	Page 262

See technical section for further information

For approvals and corresponding ratings, visit www.wago.com

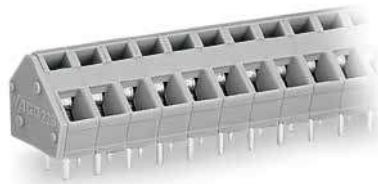
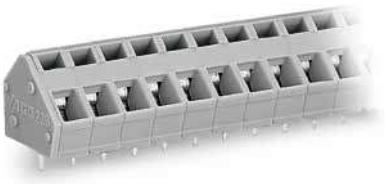
PCB terminal block ▶ 236 Series

CAGE CLAMP® ▶ Actuation type: Operating tool ▶ 2.5 mm² ▶ Pin spacing: 5/5.08 mm / 0.197/0.2 inch ▶ Color: gray

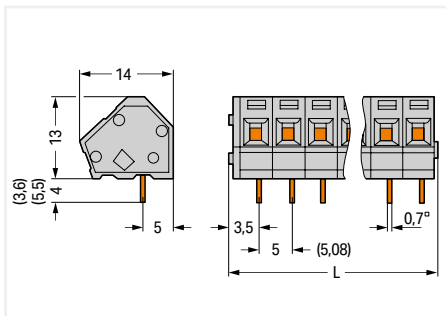
Number of solder pins per potential: 1

Number of solder pins per potential: 2

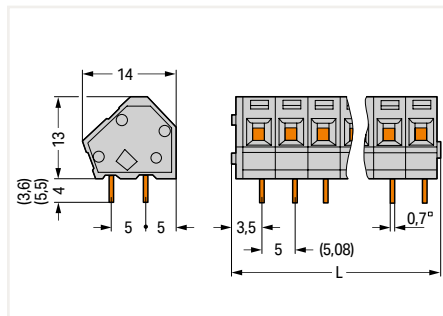
1



Pole No.	Item No.	PU (SPU)	Pole No.	Item No.	PU (SPU)
2	236-102	420 (105)	2	236-402	420 (105)
3	236-103	280 (70)	3	236-403	280 (70)
4	236-104	220 (55)	4	236-404	220 (55)
6	236-106	140 (35)	6	236-406	140 (35)
8	236-108	100 (25)	8	236-408	100 (25)
12	236-112	80 (20)	12	236-412	80 (20)
16	236-116	60 (15)	16	236-416	60 (15)
24	236-124	40 (10)	24	236-424	40 (10)
36	236-136	20 (5)	36	236-436	20 (5)
48	236-148	20 (5)	48	236-448	20 (5)



$L = (\text{pole no.} \times \text{pin spacing}) + 2.3 \text{ mm}$



$L = (\text{pole no.} \times \text{pin spacing}) + 2.3 \text{ mm}$

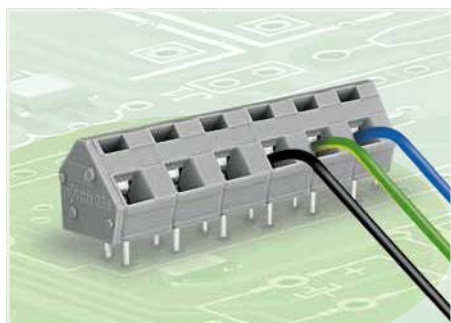
PU = Packaging Unit; SPU = Subpackaging Unit; Dimensions in mm

Other versions (or variants) can be requested from WAGO Sales or configured at <https://configurator.wago.com/>.

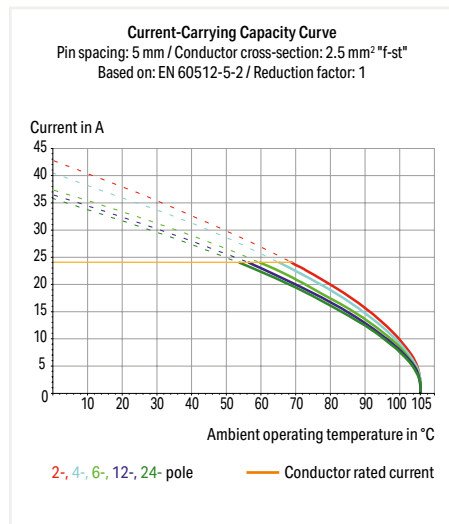
- Other pole numbers
- Versions for Ex e II and Ex i
- Other colors
- Mixed-color PCB connector strips
- Direct marking
- Solder pin length: 3.6 mm
- Solder pin length: 5.5 mm

PCB terminal block ▶ 236 Series

CAGE CLAMP® ▶ Actuation type: Operating tool ▶ 2.5 mm² ▶ Pin spacing: 7.5/7.62 mm / 0.295/0.3 inch ▶ Color: gray



- PCB terminal strips with CAGE CLAMP® connection, screwdriver actuation parallel or perpendicular to conductor entry
- Versions with Ex approval
- Mixed-color PCB terminal strips from factory
- Operating tools for factory wiring
- 45° conductor entry angle permits a wide range of applications and wiring options
- Set to metric or inch pin spacing by compressing PCB terminal strips or pulling them apart



Electrical Data

Pin spacing	7.5/7.62 mm / 0.295/0.3 inch		
Ratings per	IEC/EN 60664-1		
Overvoltage category	III	III	II
Pollution degree	3	2	2
Rated voltage	400 V	630 V	1000 V
Rated impulse voltage	6 kV	6 kV	6 kV
Rated current	24 A	24 A	24 A
Approbations per	UL 1059		
Use group	B	C	D
Rated voltage	300 V	-	300 V
Rated current	15 A	-	10 A
Approbations per	CSA		
Use group	B	C	D
Rated voltage	300 V	-	300 V
Rated current	15 A	-	10 A

Connection Data

Connection technology	CAGE CLAMP®
Strip length	5 ... 6 mm / 0.2 ... 0.24 inch
Conductor connection direction to PCB	45°
Solid conductor	0.08 ... 2.5 mm ² / 28 ... 12 AWG
Fine-stranded conductor	0.08 ... 2.5 mm ² / 28 ... 12 AWG
Fine-stranded conductor; with insulated ferrule	0.25 ... 1.5 mm ²
Fine-stranded conductor; with uninsulated ferrule	0.25 ... 1.5 mm ²
Note (conductor cross-section)	12 AWG: THHN, THWN

Material Data

Material group	I
Insulation material	Polyamide (PA66)
Flammability class per UL94	V0
Clamping spring material	Chrome nickel spring steel (CrNi)
Contact material	Electrolytic copper (E _{cu})
Contact plating	Tin-plated

Mechanical Data

Solder pin arrangement	Over the entire terminal strip (in-line)
Solder pin length	4 mm
Solder pin dimensions	0.7 x 0.7 mm
Drilled hole diameter with tolerance	1.1 (+0.1) mm

Environmental Requirements

Limit temperature range	-60 ... +105 °C
-------------------------	-----------------

Ferrule	Page 879
Marking	Page 865
Test and measurement	Page 260
Tool	Page 870
Commoning strips	Page 262

See technical section for further information

For approvals and corresponding ratings, visit www.wago.com

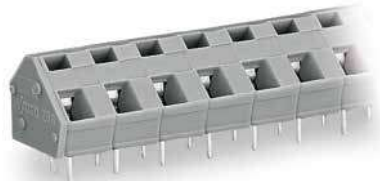
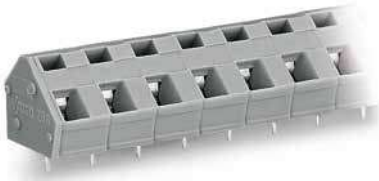
PCB terminal block ▶ 236 Series

CAGE CLAMP® ▶ Actuation type: Operating tool ▶ 2.5 mm² ▶ Pin spacing: 7.5/7.62 mm / 0.295/0.3 inch ▶ Color: gray

Number of solder pins per potential: 1

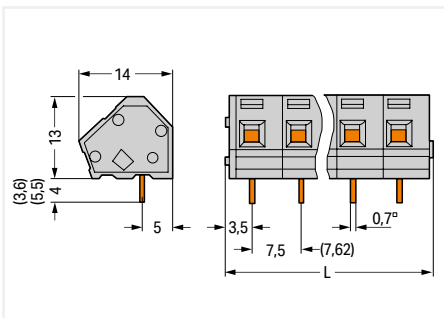
Number of solder pins per potential: 2

1

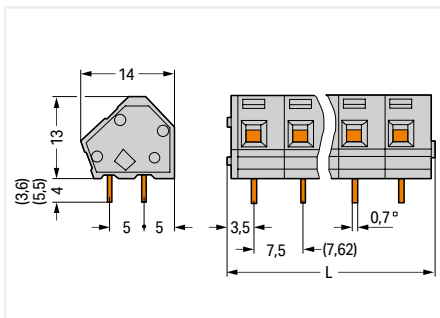


Pole No.	Item No.	PU (SPU)
2	236-202	280 (70)
3	236-203	200 (50)
4	236-204	140 (35)
6	236-206	100 (25)
8	236-208	80 (20)
12	236-212	40 (10)
16	236-216	40 (10)
24	236-224	20 (5)

Pole No.	Item No.	PU (SPU)
2	236-502	280 (70)
3	236-503	200 (50)
4	236-504	140 (35)
6	236-506	100 (25)
8	236-508	80 (20)
12	236-512	40 (10)
16	236-516	40 (10)
24	236-524	20 (5)



$L = (\text{pole no.} \times \text{pin spacing}) + 2.3 \text{ mm}$



$L = (\text{pole no.} \times \text{pin spacing}) + 2.3 \text{ mm}$

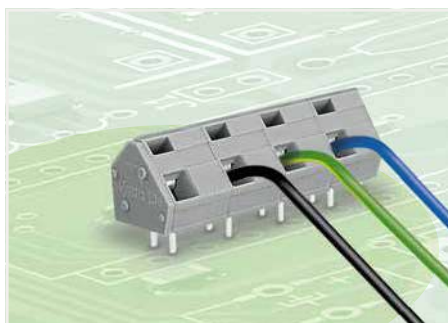
PU = Packaging Unit; SPU = Subpackaging Unit; Dimensions in mm

Other versions (or variants) can be requested from WAGO Sales or configured at <https://configurator.wago.com/>.

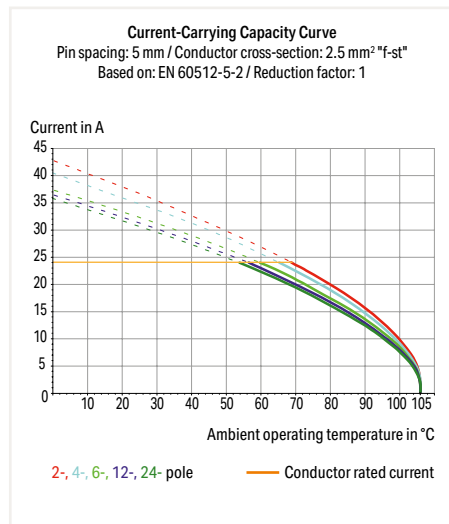
- Other pole numbers
- Versions for Ex e II and Ex i
- Other colors
- Mixed-color PCB connector strips
- Direct marking
- Solder pin length: 3.6 mm
- Solder pin length: 5.5 mm

PCB terminal block ▶ 236 Series

CAGE CLAMP® ▶ Actuation type: Operating tool ▶ 2.5 mm² ▶ Pin spacing: 10/10.16 mm / 0.394/0.4 inch ▶ Color: gray



- PCB terminal strips with CAGE CLAMP® connection, screwdriver actuation parallel or perpendicular to conductor entry
- Versions with Ex approval
- Mixed-color PCB terminal strips from factory
- Operating tools for factory wiring
- 45° conductor entry angle permits a wide range of applications and wiring options
- Set to metric or inch pin spacing by compressing PCB terminal strips or pulling them apart



Electrical Data

Pin spacing	10/10.16 mm / 0.394/0.4 inch		
Ratings per	IEC/EN 60664-1		
Overvoltage category	III	III	II
Pollution degree	3	2	2
Rated voltage	630 V	1000 V	1000 V
Rated impulse voltage	8 kV	8 kV	8 kV
Rated current	24 A	24 A	24 A
Approbations per	UL 1059		
Use group	B	C	D
Rated voltage	300 V	-	300 V
Rated current	15 A	-	10 A
Approbations per	CSA		
Use group	B	C	D
Rated voltage	300 V	-	300 V
Rated current	15 A	-	10 A

Connection Data

Connection technology	CAGE CLAMP®
Strip length	5 ... 6 mm / 0.2 ... 0.24 inch
Conductor connection direction to PCB	45°
Solid conductor	0.08 ... 2.5 mm ² / 28 ... 12 AWG
Fine-stranded conductor	0.08 ... 2.5 mm ² / 28 ... 12 AWG
Fine-stranded conductor; with insulated ferrule	0.25 ... 1.5 mm ²
Fine-stranded conductor; with uninsulated ferrule	0.25 ... 1.5 mm ²
Note (conductor cross-section)	12 AWG: THHN, THWN

Material Data

Material group	I
Insulation material	Polyamide (PA66)
Flammability class per UL94	V0
Clamping spring material	Chrome nickel spring steel (CrNi)
Contact material	Electrolytic copper (E _{cu})
Contact plating	Tin-plated

Mechanical Data

Solder pin arrangement	Over the entire terminal strip (in-line)
Solder pin length	4 mm
Solder pin dimensions	0.7 x 0.7 mm
Drilled hole diameter with tolerance	1.1 (+0.1) mm

Environmental Requirements

Limit temperature range	-60 ... +105 °C
-------------------------	-----------------

Ferrule [Page 879](#)

Marking [Page 866](#)

Tool [Page 870](#)

Commoning strips [Page 262](#)

See technical section for further information

For approvals and corresponding ratings, visit www.wago.com

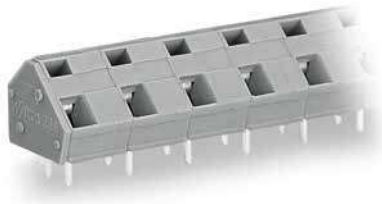
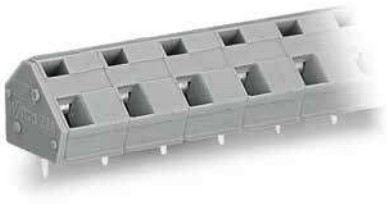
PCB terminal block ▶ 236 Series

CAGE CLAMP® ▶ Actuation type: Operating tool ▶ 2.5 mm² ▶ Pin spacing: 10/10.16 mm / 0.394/0.4 inch ▶ Color: gray

Number of solder pins per potential: 1

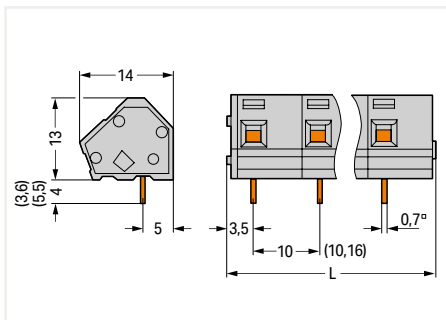
Number of solder pins per potential: 2

1

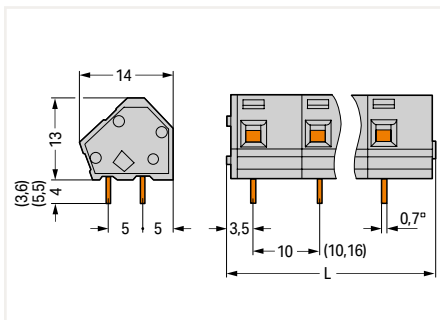


Pole No.	Item No.	PU (SPU)
2	236-302	200 (50)
3	236-303	140 (35)
4	236-304	100 (25)
6	236-306	80 (20)
8	236-308	60 (15)
12	236-312	40 (10)
16	236-316	20 (5)
24	236-324	20 (5)

Pole No.	Item No.	PU (SPU)
2	236-602	200 (50)
3	236-603	140 (35)
4	236-604	100 (25)
6	236-606	80 (20)
8	236-608	60 (15)
12	236-612	40 (10)
16	236-616	20 (5)
24	236-624	20 (5)



$L = (\text{pole no.} \times \text{pin spacing}) + 2.3 \text{ mm}$



$L = (\text{pole no.} \times \text{pin spacing}) + 2.3 \text{ mm}$

PU = Packaging Unit; SPU = Subpackaging Unit; Dimensions in mm

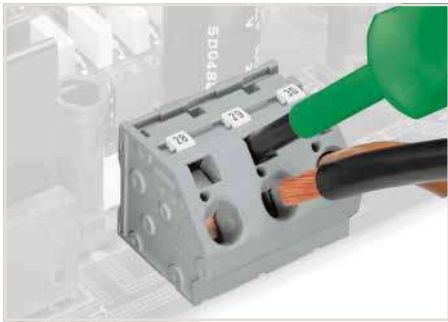
Other versions (or variants) can be requested from WAGO Sales or configured at <https://configurator.wago.com/>.

- Other pole numbers
- Versions for Ex e II and Ex i
- Other colors
- Mixed-color PCB connector strips
- Direct marking
- Solder pin length: 3.6 mm
- Solder pin length: 5.5 mm

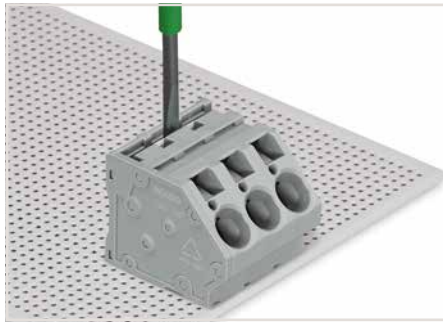
745 Series

Description and Installation

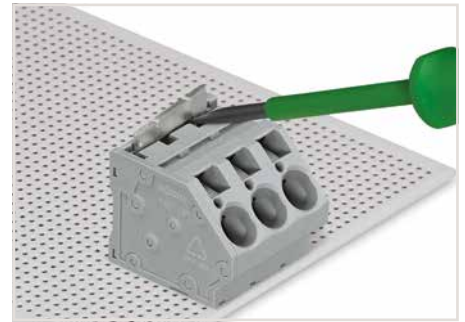
1



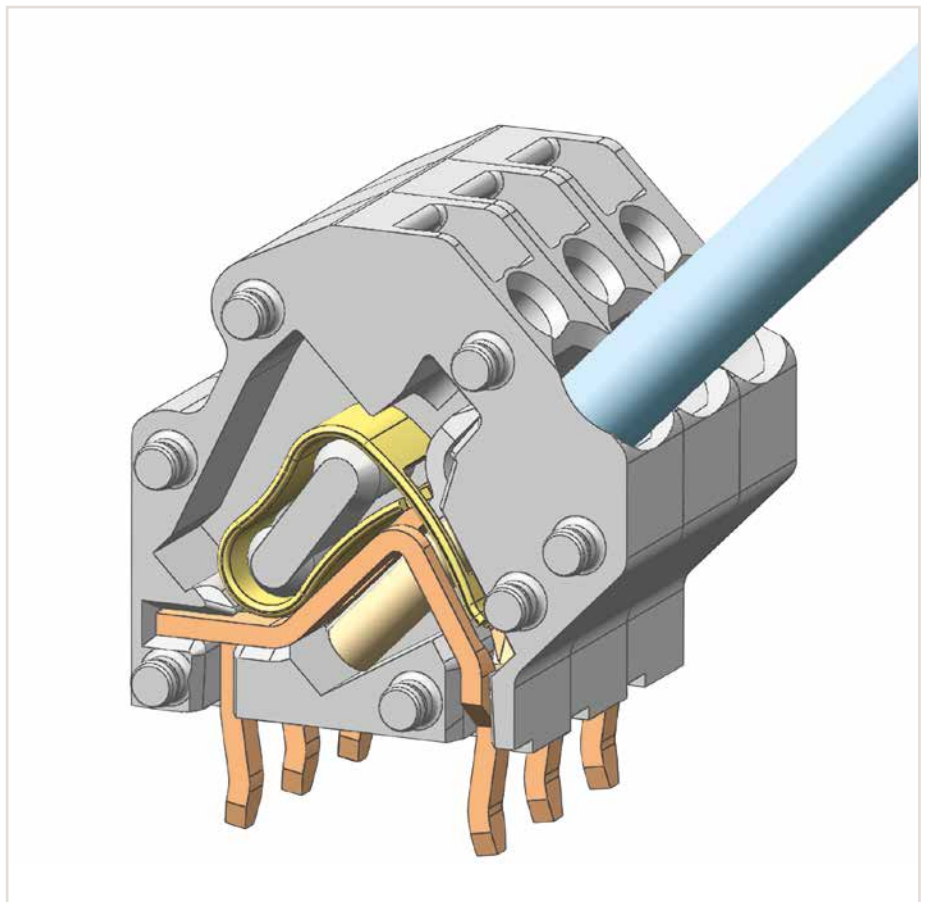
Inserting/removing a conductor via 5.5 mm screwdriver – 745 Series, 16 mm².



To insert a comb-style jumper bar, push it down using a screwdriver until it hits the backstop – 745 Series.



To remove the comb-style jumper bar, lift it up using a screwdriver – 745 Series.



745 Series



Marking via miniature WSB and WMB markers or factory direct marking – 745 Series.



Testing with test plug – 745 Series.

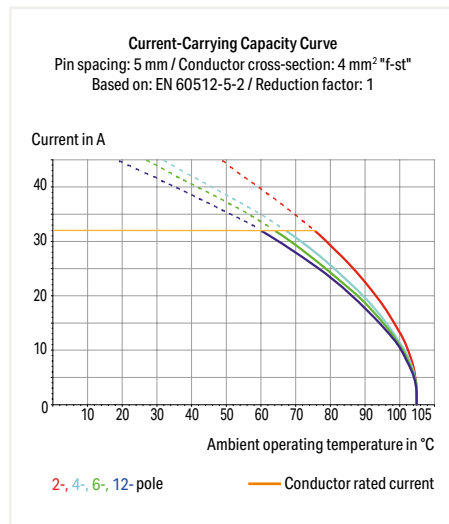
Stackable PCB terminal block ▶ 745 Series

CAGE CLAMP® ▶ Actuation type: Operating tool ▶ 4 mm² ▶ Pin spacing: 5 mm / 0.197 inch

1



- Modular PCB terminal blocks with screwdriver-actuated CAGE CLAMP® for custom PCB terminal strip assemblies
- Versions with Ex approval
- Spacers for higher voltage applications
- Double solder pins for high mechanical stability
- Space-efficient configuration of terminal strips placed behind each other
- Integrated testing tap

**Electrical Data**

Pin spacing	5 mm / 0.197 inch		
Ratings per	IEC/EN 60664-1		
Overvoltage category	III	III	II
Pollution degree	3	2	2
Rated voltage	320 V	320 V	630 V
Rated impulse voltage	4 kV	4 kV	4 kV
Rated current	32 A	32 A	32 A
Approbations per	UL 1059		
Use group	B	C	D
Rated voltage	300 V	-	300 V
Rated current	20 A	-	10 A
Approbations per	CSA		
Use group	B	C	D
Rated voltage	300 V	-	300 V
Rated current	20 A	-	10 A

Connection Data

Connection technology	CAGE CLAMP®
Strip length	8 ... 9 mm / 0.31 ... 0.35 inch
Conductor connection direction to PCB	45 °
Solid conductor	0.08 ... 4 mm ² / 28 ... 12 AWG
Fine-stranded conductor	0.08 ... 4 mm ² / 28 ... 12 AWG
Fine-stranded conductor; with insulated ferrule	0.25 ... 2.5 mm ²
Fine-stranded conductor; with uninsulated ferrule	0.25 ... 2.5 mm ²

Material Data

Material group	I
Insulation material	Polyamide (PA66)
Flammability class per UL94	V0
Clamping spring material	Chrome nickel spring steel (CrNi)
Contact material	Electrolytic copper (E _{cu})
Contact plating	Tin-plated

Mechanical Data

Solder pin arrangement	Within the terminal block (in-line)
Solder pin length	4 mm
Solder pin dimensions	0.8 x 1.2 mm
Drilled hole diameter with tolerance	1.5 ^(+0.1) mm

Environmental Requirements

Limit temperature range	-60 ... +105 °C
-------------------------	-----------------

Ferrule Page 879

Marking Page 865

Test and measurement Page 886

Tool Page 870

See technical section for further information

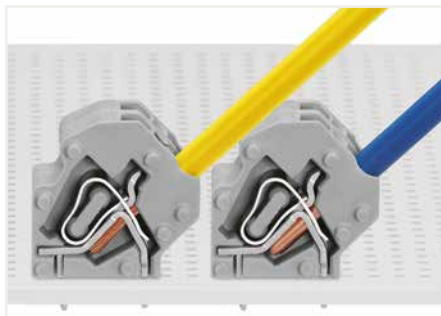
For approvals and corresponding ratings, visit www.wago.com

Stackable PCB terminal block ▶ 745 Series

CAGE CLAMP® ▶ Actuation type: Operating tool ▶ 4 mm² ▶ Pin spacing: 5 mm / 0.197 inch

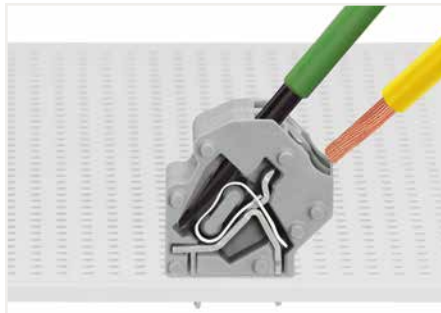


745-3801

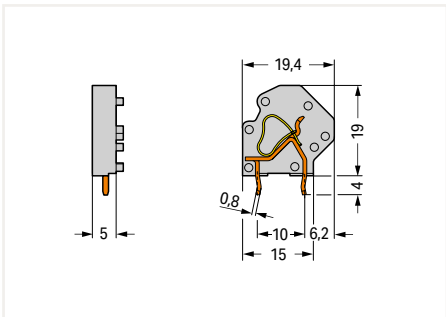


Saving space: two PCB terminal strips arranged in a row

Color	Item No.	PU (SPU)
gray	745-3801	200 (50)
blue	745-3804	200 (50)
light gray	745-3803	200 (50)
light green	745-3808	200 (50)



Inserting a conductor via 3.5 mm screwdriver.



Testing with 2 mm Ø test plug.

Accessories; for all products on this page



End plate; Width: 1.5 mm; snap-on type		
Color	Item No.	PU (SPU)
gray	745-3100	1000 (100)



Intermediate plate; Extends pin spacing; Width: 2.5 mm / 0.098 inch		
Color	Item No.	PU (SPU)
gray	745-3138	200 (50)

PU = Packaging Unit; SPU = Subpackaging Unit; Dimensions in mm

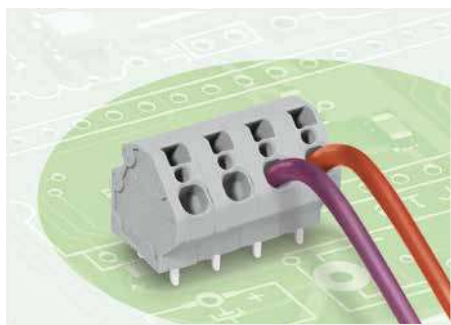
Other versions (or variants) can be requested from WAGO Sales or configured at <https://configurator.wago.com/>.

- Versions for Ex e II and Ex i
- Other colors

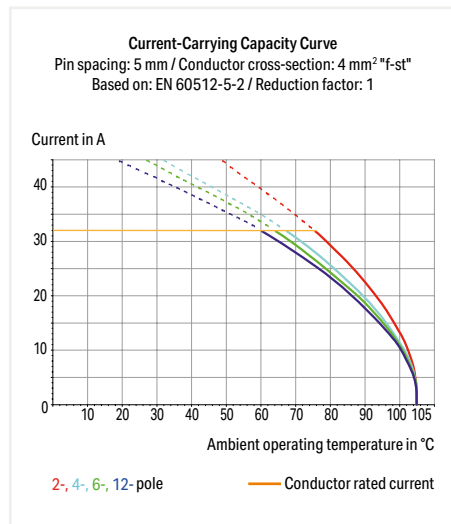
PCB terminal block ▶ 745 Series

CAGE CLAMP® ▶ Actuation type: Operating tool ▶ 4 mm² ▶ Color: gray

1



- PCB terminal strips with screwdriver-actuated CAGE CLAMP® connection
- Versions with Ex approval
- Mixed-color PCB terminal strips from factory
- Space-saving configuration of terminal strips when placed behind each other
- Custom color combinations
- Double solder pins for high mechanical stability
- Integrated testing tap



Electrical Data									
Pin spacing	5 mm / 0.197 inch			7.5 mm / 0.295 inch			10 mm / 0.394 inch		
Ratings per	IEC/EN 60664-1								
Overvoltage category	III	III	II	III	III	II	III	III	II
Pollution degree	3	2	2	3	2	2	3	2	2
Rated voltage	320 V	320 V	630 V	500 V	630 V	1000 V	800 V	1000 V	1000 V
Rated impulse voltage	4 kV	4 kV	4 kV	6 kV	6 kV	6 kV	8 kV	8 kV	8 kV
Rated current	32 A	32 A	32 A	32 A	32 A	32 A	32 A	32 A	32 A
Approbations per	UL 1059			UL 1059			UL 1059		
Use group	B	C	D	B	C	D	B	C	D
Rated voltage	300 V	-	300 V	300 V	150 V	300 V	300 V	300 V	600 V
Rated current	20 A	-	10 A	20 A	20 A	10 A	20 A	20 A	5 A
Approbations per	CSA			CSA			CSA		
Use group	B	C	D	B	C	D	B	C	D
Rated voltage	300 V	-	300 V	300 V	150 V	300 V	300 V	300 V	600 V
Rated current	20 A	-	10 A	20 A	20 A	10 A	20 A	20 A	5 A

Electrical Data									
Pin spacing	12.5 mm / 0.492 inch								
Ratings per	IEC/EN 60664-1								
Overvoltage category	III	III	II						
Pollution degree	3	2	2						
Rated voltage	1000 V	1000 V	1000 V						
Rated impulse voltage	8 kV	8 kV	8 kV						
Rated current	32 A	32 A	32 A						
Approbations per	UL 1059								
Use group	B	C	D						
Rated voltage	600 V	600 V	-						
Rated current	20 A	20 A	-						
Approbations per	CSA								
Use group	B	C	D						
Rated voltage	600 V	600 V	-						
Rated current	20 A	20 A	-						

Connection Data	
Connection technology	CAGE CLAMP®
Strip length	8 ... 9 mm / 0.31 ... 0.35 inch
Conductor connection direction to PCB	45°
Solid conductor	0.08 ... 4 mm ² / 28 ... 12 AWG
Fine-stranded conductor	0.08 ... 4 mm ² / 28 ... 12 AWG
Fine-stranded conductor; with insulated ferrule	0.25 ... 2.5 mm ²
Fine-stranded conductor; with uninsulated ferrule	0.25 ... 2.5 mm ²

Material Data	
Material group	I
Insulation material	Polyamide (PA66)
Flammability class per UL94	V0
Clamping spring material	Chrome nickel spring steel (CrNi)
Contact material	Electrolytic copper (E _{cu})
Contact plating	Tin-plated

Ferrule Page 879

Marking Page 865

Test and measurement Page 886

Tool Page 870

See technical section for further information

For approvals and corresponding ratings, visit www.wago.com

PCB terminal block ▶ 745 SeriesCAGE CLAMP® ▶ Actuation type: Operating tool ▶ 4 mm² ▶ Color: gray

1

Mechanical Data

Solder pin arrangement	Over the entire terminal strip (in-line)
Solder pin length	4 mm
Solder pin dimensions	0.8 x 1.2 mm
Drilled hole diameter with tolerance	1.5 ^(+0.1) mm

Environmental Requirements

Limit temperature range	-60 ... +105 °C
-------------------------	-----------------

PCB terminal block ▶ 745 Series

CAGE CLAMP® ▶ Actuation type: Operating tool ▶ 4 mm² ▶ Color: gray

Pin spacing: 5 mm / 0.197 inch

Pin spacing: 7.5 mm / 0.295 inch

Pin spacing: 10 mm / 0.394 inch



745-3104

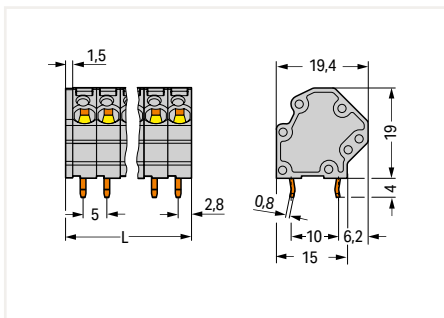
745-3154

745-3204

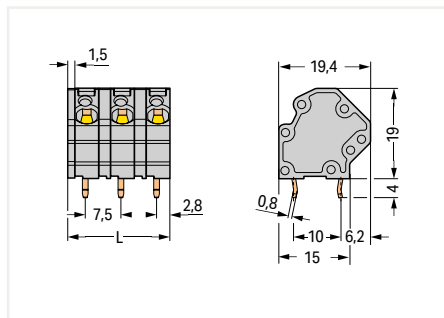
Pole No.	Item No.	PU
2	745-3102	276
3	745-3103	192
4	745-3104	144
5	745-3105	120
6	745-3106	96
7	745-3107	84
8	745-3108	72
9	745-3109	60
10	745-3110	60
11	745-3111	48
12	745-3112	48

Pole No.	Item No.	PU
2	745-3152	228
3	745-3153	132
4	745-3154	108
5	745-3155	84
6	745-3156	72
7	745-3157	60
8	745-3158	48
9	745-3159	48
10	745-3160	36
11	745-3161	30
12	745-3162	30

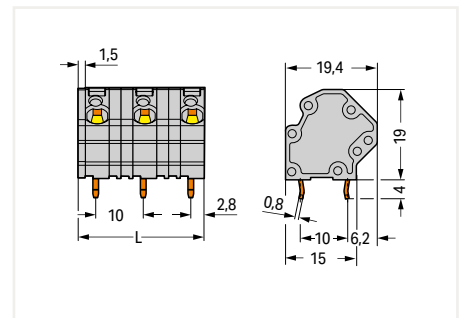
Pole No.	Item No.	PU (SPU)
2	745-3202	192
3	745-3203	120
4	745-3204	84
5	745-3205	60
6	745-3206	48
7	745-3207	48
8	745-3208	36
9	745-3209	36
10	745-3210	24
11	745-3211	12
12	745-3212	24(12)



L = (pole no. x pin spacing) + 1.5 mm



L = (pole no. - 1) x pin spacing + 5 mm + 1.5 mm



L = (pole no. - 1) x pin spacing + 5 mm + 1.5 mm

PU = Packaging Unit; SPU = Subpackaging Unit; Dimensions in mm

Other versions (or variants) can be requested from WAGO Sales or configured at <https://configurator.wago.com/>.

- Other pole numbers
- Versions for Ex e II and Ex i
- Other colors
- Mixed-color PCB connector strips
- Direct marking

PCB terminal block ▶ 745 Series

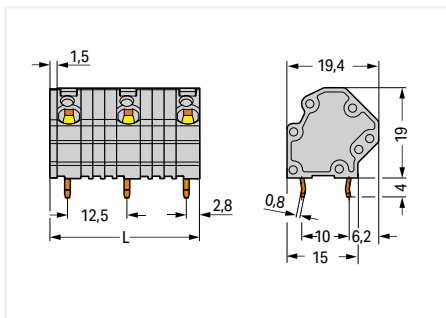
CAGE CLAMP® ▶ Actuation type: Operating tool ▶ 4 mm² ▶ Color: gray

Pin spacing: 12.5 mm / 0.492 inch



745-3254

Pole No.	Item No.	PU (SPU)
2	745-3252	168
3	745-3253	96
4	745-3254	72
5	745-3255	40
6	745-3256	36
7	745-3257	36
8	745-3258	24 (12)
9	745-3259	24
10	745-3260	24
11	745-3261	12
12	745-3262	12



$L = (\text{pole no.} - 1) \times \text{pin spacing} + 5 \text{ mm} + 1.5 \text{ mm}$

PU = Packaging Unit; SPU = Subpackaging Unit; Dimensions in mm

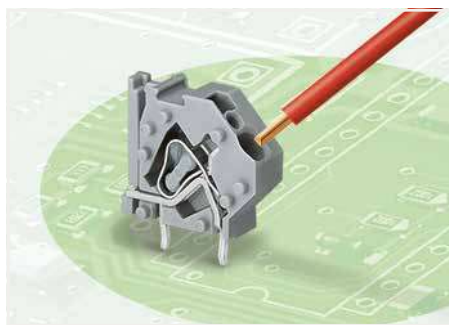
Other versions (or variants) can be requested from WAGO Sales or configured at <https://configurator.wago.com/>.

- Other pole numbers
- Versions for Ex e II and Ex i
- Other colors
- Mixed-color PCB connector strips
- Direct marking

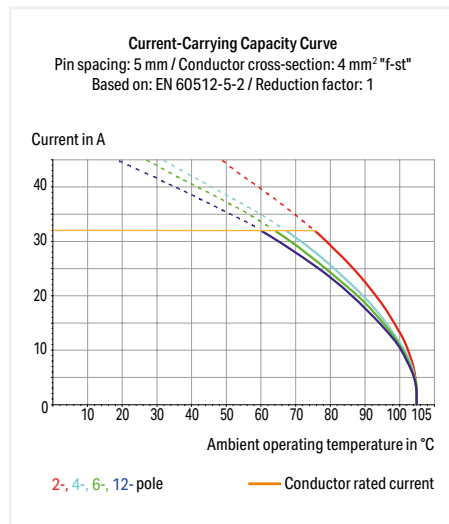
Stackable PCB terminal block ▶ 745 Series

CAGE CLAMP® ▶ Actuation type: Operating tool ▶ 4 mm² ▶ Number of jumper slots: 1

1



- Modular terminal blocks with screwdriver-actuated CAGE CLAMP® for custom terminal strip assemblies
- Versions with Ex approval
- Common and distribute potentials via comb-style jumper bars
- Double solder pins for high mechanical stability
- Integrated testing tap
- Marker slot for Mini-WSB markers

**Electrical Data**

Pin spacing	5 mm / 0.197 inch			7.5 mm / 0.295 inch			10 mm / 0.394 inch		
Ratings per	IEC/EN 60664-1								
Overvoltage category	III	III	II	III	III	II	III	III	II
Pollution degree	3	2	2	3	2	2	3	2	2
Rated voltage	320 V	320 V	630 V	500 V	630 V	1000 V	630 V	1000 V	1000 V
Rated impulse voltage	4 kV	4 kV	4 kV	6 kV	6 kV	6 kV	8 kV	8 kV	8 kV
Rated current	32 A	32 A	32 A	32 A	32 A	32 A	32 A	32 A	32 A
Approbations per	UL 1059			UL 1059			UL 1059		
Use group	B	C	D	B	C	D	B	C	D
Rated voltage	300 V	-	300 V	300 V	150 V	300 V	300 V	150 V	300 V
Rated current	20 A	-	10 A	20 A	20 A	10 A	20 A	20 A	10 A
Approbations per	CSA			CSA			CSA		
Use group	B	C	D	B	C	D	B	C	D
Rated voltage	300 V	-	300 V	300 V	150 V	300 V	300 V	150 V	300 V
Rated current	20 A	-	10 A	20 A	20 A	10 A	20 A	20 A	10 A

Connection Data

Connection technology	CAGE CLAMP®
Strip length	8 ... 9 mm / 0.31 ... 0.35 inch
Conductor connection direction to PCB	45 °
Solid conductor	0.08 ... 4 mm ² / 28 ... 12 AWG
Fine-stranded conductor	0.08 ... 4 mm ² / 28 ... 12 AWG
Fine-stranded conductor; with insulated ferrule	0.25 ... 2.5 mm ²
Fine-stranded conductor; with uninsulated ferrule	0.25 ... 2.5 mm ²

Material Data

Material group	I
Insulation material	Polyamide (PA66)
Flammability class per UL94	V0
Clamping spring material	Chrome nickel spring steel (CrNi)
Contact material	Electrolytic copper (E _{cu})
Contact plating	Tin-plated

Mechanical Data

Solder pin arrangement	Within the terminal block (in-line)
Solder pin length	4 mm
Solder pin dimensions	0.8 x 1.2 mm
Drilled hole diameter with tolerance	1.5 ^(+0.1) mm

Environmental Requirements

Limit temperature range	-60 ... +105 °C
-------------------------	-----------------

Ferrule	Page 879
Jumper	Page 259
Marking	Page 862
Test and measurement	Page 886
Tool	Page 870

See technical section for further information

For approvals and corresponding ratings, visit www.wago.com

Stackable PCB terminal block ▶ 745 Series

CAGE CLAMP® ▶ Actuation type: Operating tool ▶ 4 mm² ▶ Number of jumper slots: 1

Pin spacing: 5 mm / 0.197 inch

Pin spacing: 7.5 mm / 0.295 inch

Pin spacing: 10 mm / 0.394 inch



745-801

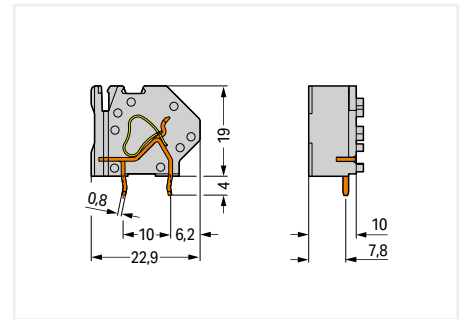
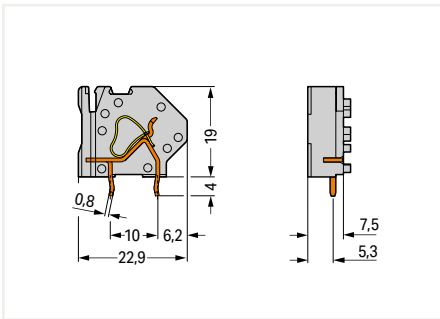
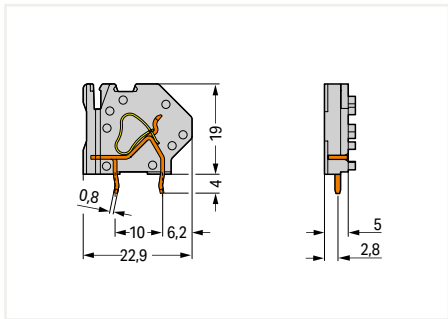
745-811

745-821

Color	Item No.	PU (SPU)
gray	745-801	200 (50)
blue	745-804	200 (50)
light gray	745-803	200 (50)
green-yellow	745-807	200 (50)
light green	745-808	200 (50)

Color	Item No.	PU (SPU)
gray	745-811	200 (50)
blue	745-814	200 (50)
light gray	745-813	200 (50)
green-yellow	745-817	200 (50)
light green	745-818	200 (50)

Color	Item No.	PU (SPU)
gray	745-821	200 (50)
blue	745-824	200 (50)
light gray	745-823	200 (50)
green-yellow	745-827	200 (50)
light green	745-828	200 (50)



Accessories; for all products on this page



End plate; Width: 1.5 mm; Snap-on type		
Color	Item No.	PU (SPU)
gray	745-100	1000 (100)

End plate; Width: 7.9 mm; Screw mount		
Color	Item No.	PU (SPU)
gray	745-140	500 (100)

End plate; Width: 7.3 mm; Screw mount		
Color	Item No.	PU (SPU)
gray	745-145	500 (100)

PU = Packaging Unit; SPU = Subpackaging Unit; Dimensions in mm

Other versions (or variants) can be requested from WAGO Sales or configured at <https://configurator.wago.com/>.

- Versions for Ex e II and Ex i
- Other colors

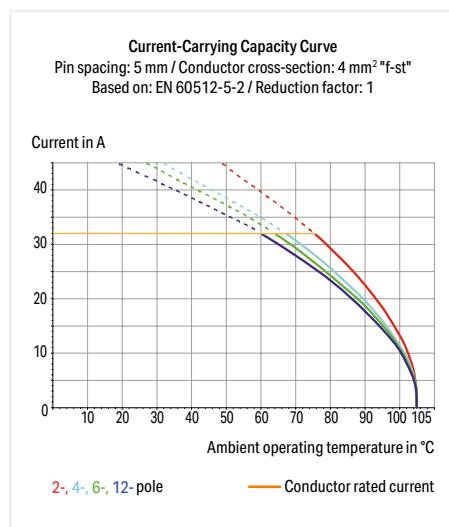
PCB terminal block ▶ 745 Series

CAGE CLAMP® ▶ Actuation type: Operating tool ▶ 4 mm² ▶ Number of jumper slots: 1 ▶ Color: gray

1



- PCB terminal strips with screwdriver-actuated CAGE CLAMP® connection
- Versions with Ex approval
- Common and distribute potentials via comb-style jumper bars
- Double solder pins for high mechanical stability
- Custom color combinations
- Integrated testing tap
- Marker slot for Mini-WSB markers

**Electrical Data**

Pin spacing	5 mm / 0.197 inch			7.5 mm / 0.295 inch			10 mm / 0.394 inch		
Ratings per	IEC/EN 60664-1								
Overvoltage category	III	III	II	III	III	II	III	III	II
Pollution degree	3	2	2	3	2	2	3	2	2
Rated voltage	320 V	320 V	630 V	500 V	630 V	1000 V	630 V	1000 V	1000 V
Rated impulse voltage	4 kV	4 kV	4 kV	6 kV	6 kV	6 kV	8 kV	8 kV	8 kV
Rated current	32 A	32 A	32 A	32 A	32 A	32 A	32 A	32 A	32 A
Approbations per	UL 1059			UL 1059			UL 1059		
Use group	B	C	D	B	C	D	B	C	D
Rated voltage	300 V	-	300 V	300 V	150 V	300 V	300 V	150 V	300 V
Rated current	20 A	-	10 A	20 A	20 A	10 A	20 A	20 A	10 A
Approbations per	CSA			CSA			CSA		
Use group	B	C	D	B	C	D	B	C	D
Rated voltage	300 V	-	300 V	300 V	150 V	300 V	300 V	150 V	300 V
Rated current	20 A	-	10 A	20 A	20 A	10 A	20 A	20 A	10 A

Connection Data

Connection technology	CAGE CLAMP®
Strip length	8 ... 9 mm / 0.31 ... 0.35 inch
Conductor connection direction to PCB	45 °
Solid conductor	0.08 ... 4 mm ² / 28 ... 12 AWG
Fine-stranded conductor	0.08 ... 4 mm ² / 28 ... 12 AWG
Fine-stranded conductor; with insulated ferrule	0.25 ... 2.5 mm ²
Fine-stranded conductor; with uninsulated ferrule	0.25 ... 2.5 mm ²

Material Data

Material group	I
Insulation material	Polyamide (PA66)
Flammability class per UL94	V0
Clamping spring material	Chrome nickel spring steel (CrNi)
Contact material	Electrolytic copper (E _{cu})
Contact plating	Tin-plated

Mechanical Data

Solder pin arrangement	Over the entire terminal strip (in-line)
Solder pin length	4 mm
Solder pin dimensions	0.8 x 1.2 mm
Drilled hole diameter with tolerance	1.5 ^(+0.1) mm

Environmental Requirements

Limit temperature range	-60 ... +105 °C
-------------------------	-----------------

Ferrule Page 879

Jumper Page 259

Marking Page 862

Test and measurement Page 886

Tool Page 870

See technical section for further information

For approvals and corresponding ratings, visit www.wago.com

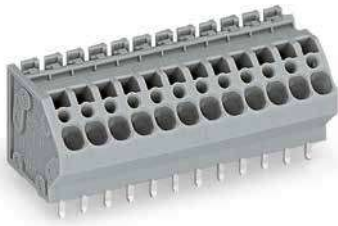
PCB terminal block ▶ 745 Series

CAGE CLAMP® ▶ Actuation type: Operating tool ▶ 4 mm² ▶ Number of jumper slots: 1 ▶ Color: gray

Pin spacing: 5 mm / 0.197 inch

Pin spacing: 7.5 mm / 0.295 inch

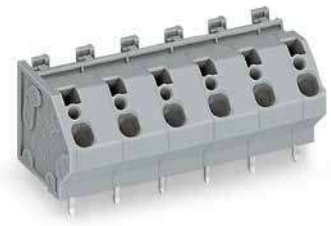
Pin spacing: 10 mm / 0.394 inch



745-112



745-158

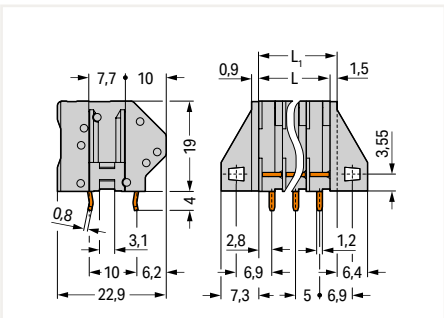


745-206

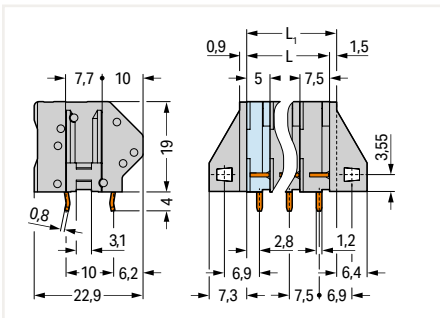
Pole No.	Item No.	PU
2	745-102	230
3	745-103	160
4	745-104	120
5	745-105	100
6	745-106	80
7	745-107	70
8	745-108	60
9	745-109	50
10	745-110	50
12	745-112	40

Pole No.	Item No.	PU
2	745-152	180
3	745-153	120
4	745-154	90
5	745-155	70
6	745-156	60
7	745-157	50
8	745-158	40
9	745-159	40
10	745-160	30
12	745-162	30

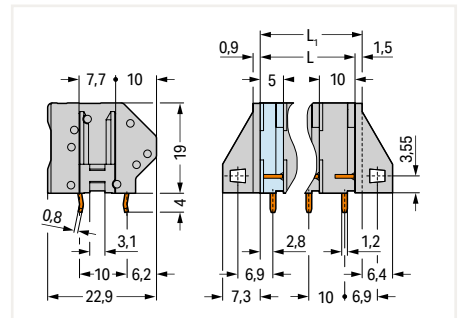
Pole No.	Item No.	PU
2	745-202	160
3	745-203	100
4	745-204	70
5	745-205	50
6	745-206	40
7	745-207	40
8	745-208	30
9	745-209	30
10	745-210	20
12	745-212	20



L = (pole no. - 1) x pin spacing + 5 mm
 L₁ = L + 1.5 mm ≙ version **without** mounting flange



L = (pole no. - 1) x pin spacing + 5 mm
 L₁ = L + 1.5 mm ≙ version **without** mounting flange



L = (pole no. - 1) x pin spacing + 5 mm
 L₁ = L + 1.5 mm ≙ version **without** mounting flange

PU = Packaging Unit; SPU = Subpackaging Unit; Dimensions in mm

Other versions (or variants) can be requested from WAGO Sales or configured at <https://configurator.wago.com/>.

- Other pole numbers
- Versions for Ex e II and Ex i
- Other colors
- Mixed-color PCB connector strips
- Versions with mounting flanges
- Direct marking

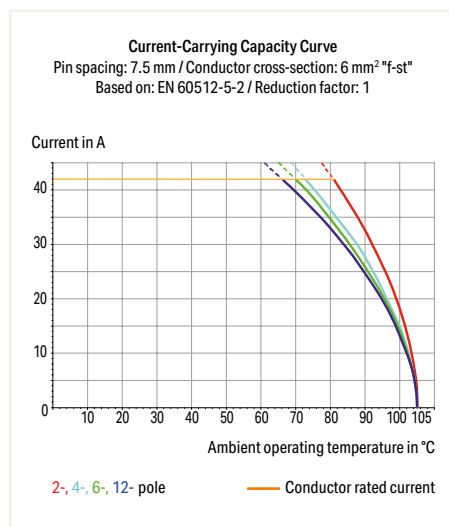
PCB terminal block ▶ 745 Series

CAGE CLAMP® ▶ Actuation type: Operating tool ▶ 6 mm² ▶ Color: gray

1



- Terminal strips with screwdriver-actuated CAGE CLAMP® connection
- Versions with Ex approval
- Unrestricted UL approval up to 600 V with 12.5 mm pin spacing
- Double solder pins for high mechanical stability
- Custom color combinations
- Integrated testing tap
- Marker slot for Mini-WSB and WMB markers



Electrical Data						
Pin spacing	10 mm / 0.394 inch			12.5 mm / 0.492 inch; 15 mm / 0.591 inch		
Ratings per	IEC/EN 60664-1			IEC/EN 60664-1		
Overvoltage category	III	III	II	III	III	II
Pollution degree	3	2	2	3	2	2
Rated voltage	800 V	1000 V	1000 V	1000 V	1000 V	1000 V
Rated impulse voltage	8 kV	8 kV	8 kV	8 kV	8 kV	8 kV
Rated current	41 A	41 A	41 A	41 A	41 A	41 A
Approbations per	UL 1059			UL 1059		
Use group	B	C	D	B	C	D
Rated voltage	300 V	300 V	600 V	600 V	600 V	-
Rated current	10 A	10 A	5 A	30 A	30 A	-
Approbations per	CSA			CSA		
Use group	B	C	D	B	C	D
Rated voltage	300 V	300 V	600 V	600 V	600 V	-
Rated current	10 A	10 A	5 A	30 A	30 A	-

Connection Data	
Connection technology	CAGE CLAMP®
Strip length	11 ... 12 mm / 0.43 ... 0.47 inch
Conductor connection direction to PCB	45 °
Solid conductor	0.2 ... 6 mm ² / 24 ... 10 AWG
Fine-stranded conductor	0.2 ... 6 mm ² / 24 ... 10 AWG
Fine-stranded conductor; with insulated ferrule	0.25 ... 4 mm ²
Fine-stranded conductor; with uninsulated ferrule	0.25 ... 4 mm ²

Material Data	
Material group	I
Insulation material	Polyamide (PA66)
Flammability class per UL94	V0
Clamping spring material	Chrome nickel spring steel (CrNi)
Contact material	Electrolytic copper (E _{co})
Contact plating	Tin-plated

Mechanical Data	
Solder pin arrangement	Over the entire terminal strip (in-line)
Solder pin length	4.5 mm
Solder pin dimensions	1 x 1.4 mm
Drilled hole diameter with tolerance	1.8 ^(+0.1) mm

Environmental Requirements	
Limit temperature range	-60 ... +105 °C

Ferrule	Page 879
Jumper	Page 259
Marking	Page 862
Test and measurement	Page 886
Tool	Page 870

See technical section for further information

For approvals and corresponding ratings, visit www.wago.com

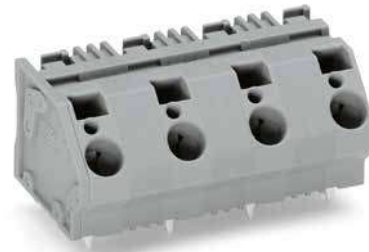
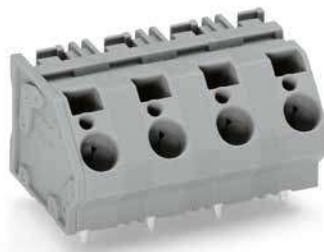
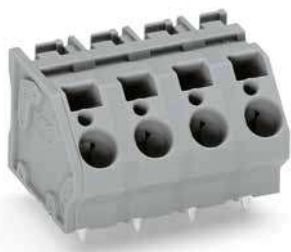
PCB terminal block ▶ 745 Series

CAGE CLAMP® ▶ Actuation type: Operating tool ▶ 6 mm² ▶ Color: gray

Pin spacing: 10 mm / 0.394 inch

Pin spacing: 12.5 mm / 0.492 inch

Pin spacing: 15 mm / 0.591 inch



745-1354

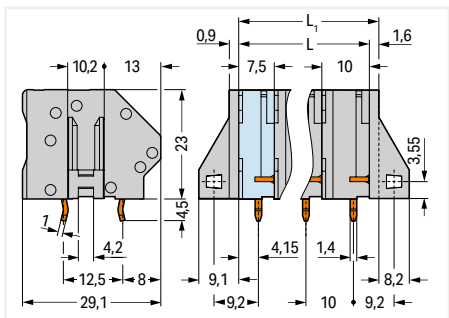
745-1404

745-1454

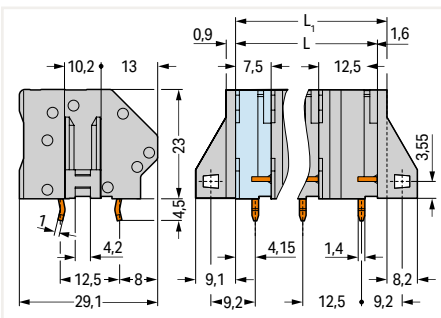
Pole No.	Item No.	PU
2	745-1352	104
3	745-1353	72
4	745-1354	48
5	745-1355	40
6	745-1356	32
7	745-1357	24
8	745-1358	24
9	745-1359	24
10	745-1360	16
12	745-1362	16

Pole No.	Item No.	PU
2	745-1402	80
3	745-1403	48
4	745-1404	40
5	745-1405	32
6	745-1406	24
7	745-1407	24
8	745-1408	16
9	745-1409	16
10	745-1410	16
12	745-1412	8

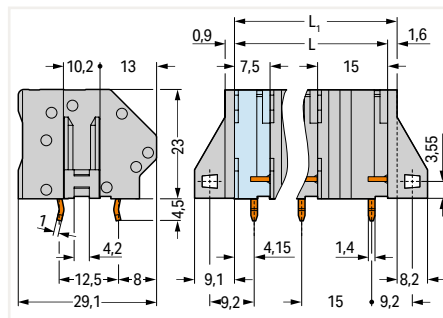
Pole No.	Item No.	PU
2	745-1452	64
3	745-1453	40
4	745-1454	32
5	745-1455	24
6	745-1456	16
7	745-1457	16
8	745-1458	16
9	745-1459	8
10	745-1460	8
12	745-1462	8



L = (pole no. - 1) x pin spacing + 7.5 mm
 L₁ = L + 1.6 mm Δ version **without** mounting flange



L = (pole no. - 1) x pin spacing + 7.5 mm
 L₁ = L + 1.6 mm Δ version **without** mounting flange



L = (pole no. - 1) x pin spacing + 7.5 mm
 L₁ = L + 1.6 mm Δ version **without** mounting flange

PU = Packaging Unit; SPU = Subpackaging Unit; Dimensions in mm

Other versions (or variants) can be requested from WAGO Sales or configured at <https://configurator.wago.com/>.

- Other pole numbers
- Versions for Ex e II and Ex i
- Other colors
- Mixed-color PCB connector strips
- Versions with mounting flanges
- Direct marking

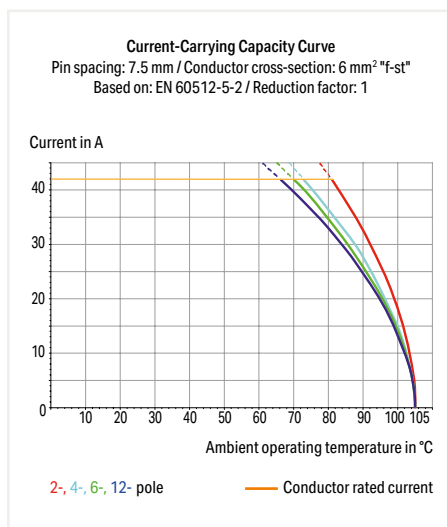
Stackable PCB terminal block ▶ 745 Series

CAGE CLAMP® ▶ Actuation type: Operating tool ▶ 6 mm² ▶ Number of jumper slots: 1

1



- Modular terminal blocks with screwdriver-actuated CAGE CLAMP® for custom terminal strip assemblies
- Versions with Ex approval
- Common and distribute potentials via comb-style jumper bars
- Double solder pins for high mechanical stability
- Integrated testing tap
- Marker slot for Mini-WSB markers

**Electrical Data**

Pin spacing	7.5 mm / 0.295 inch			10 mm / 0.394 inch		
Ratings per	IEC/EN 60664-1					
Overvoltage category	III	III	II	III	III	II
Pollution degree	3	2	2	3	2	2
Rated voltage	500 V	630 V	1000 V	630 V	1000 V	1000 V
Rated impulse voltage	6 kV	6 kV	6 kV	8 kV	8 kV	8 kV
Rated current	41 A	41 A	41 A	41 A	41 A	41 A
Approbations per	UL 1059			UL 1059		
Use group	B	C	D	B	C	D
Rated voltage	300 V	150 V	300 V	300 V	150 V	300 V
Rated current	30 A	30 A	10 A	30 A	30 A	10 A
Approbations per	CSA			CSA		
Use group	B	C	D	B	C	D
Rated voltage	300 V	150 V	300 V	300 V	150 V	300 V
Rated current	30 A	30 A	10 A	30 A	30 A	10 A

Connection Data

Connection technology	CAGE CLAMP®
Strip length	11 ... 12 mm / 0.43 ... 0.47 inch
Conductor connection direction to PCB	45 °
Solid conductor	0.2 ... 6 mm ² / 24 ... 10 AWG
Fine-stranded conductor	0.2 ... 6 mm ² / 24 ... 10 AWG
Fine-stranded conductor; with insulated ferrule	0.25 ... 4 mm ²
Fine-stranded conductor; with uninsulated ferrule	0.25 ... 4 mm ²

Material Data

Material group	I
Insulation material	Polyamide (PA66)
Flammability class per UL94	V0
Clamping spring material	Chrome nickel spring steel (CrNi)
Contact material	Electrolytic copper (E _{cu})
Contact plating	Tin-plated

Mechanical Data

Solder pin arrangement	Within the terminal block (in-line)
Solder pin length	4.5 mm
Solder pin dimensions	1 x 1.4 mm
Drilled hole diameter with tolerance	1.8 ^(+0.1) mm

Environmental Requirements

Limit temperature range	-60 ... +105 °C
-------------------------	-----------------

Ferrule	Page 879
Jumper	Page 259
Marking	Page 862
Test and measurement	Page 886
Tool	Page 870

See technical section for further information

For approvals and corresponding ratings, visit www.wago.com

Stackable PCB terminal block ▶ 745 Series

CAGE CLAMP® ▶ Actuation type: Operating tool ▶ 6 mm² ▶ Number of jumper slots: 1

Pin spacing: 7.5 mm / 0.295 inch

Pin spacing: 10 mm / 0.394 inch

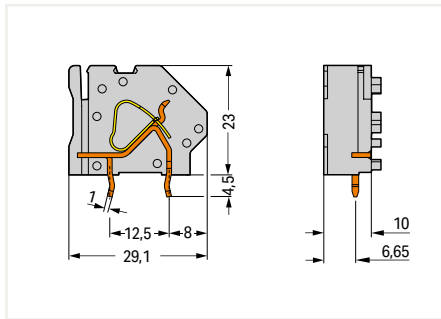
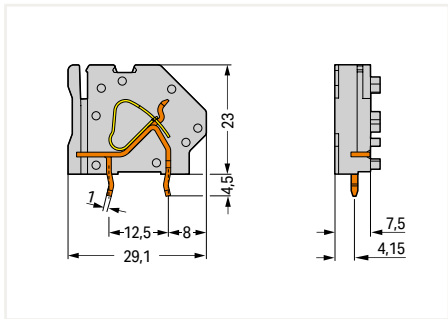


745-831

745-841

Color	Item No.	PU (SPU)
gray	745-831	100 (50)
blue	745-834	100 (50)
light gray	745-833	100 (50)
green-yellow	745-837	100 (50)
light green	745-838	100 (50)

Color	Item No.	PU (SPU)
gray	745-841	100 (50)
blue	745-844	100 (50)
light gray	745-843	100 (50)
green-yellow	745-847	100 (50)
light green	745-848	100 (50)



Accessories; for all products on this page



End plate; Width: 1.6 mm; Snap-on type

Color	Item No.	PU (SPU)
gray	745-300	500 (100)



Intermediate plate; Extends pin spacing; Width: 2.5 mm / 0.098 inch

Color	Item No.	PU (SPU)
gray	745-338	500 (50)



End plate; Width: 9.8 mm; Screw mount

Color	Item No.	PU (SPU)
gray	745-340	200 (50)



End plate; Width: 9.1 mm; Screw mount

Color	Item No.	PU (SPU)
gray	745-345	200 (50)

PU = Packaging Unit; SPU = Subpackaging Unit; Dimensions in mm

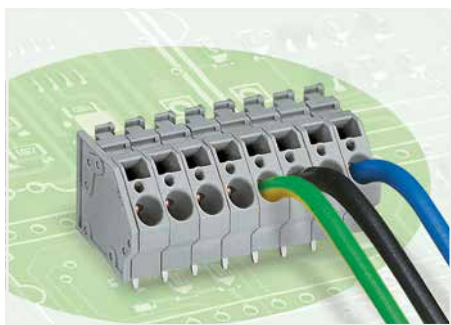
Other versions (or variants) can be requested from WAGO Sales or configured at <https://configurator.wago.com/>.

- Versions for Ex e II and Ex i
- Other colors

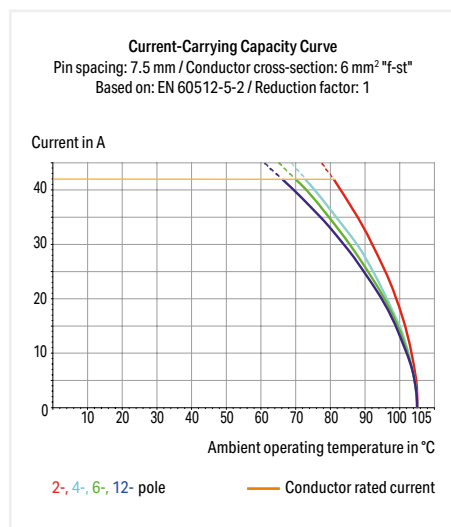
PCB terminal block ▶ 745 Series

CAGE CLAMP® ▶ Actuation type: Operating tool ▶ 6 mm² ▶ Number of jumper slots: 1 ▶ Color: gray

1



- PCB terminal strips with screwdriver-actuated CAGE CLAMP® connection
- Versions with Ex approval
- Common and distribute potentials via comb-style jumper bars
- Double solder pins for high mechanical stability
- Custom color combinations
- Integrated testing tap
- Marker slot for Mini-WSB markers

**Electrical Data**

Pin spacing	7.5 mm / 0.295 inch			10 mm / 0.394 inch		
Ratings per	IEC/EN 60664-1					
Overvoltage category	III	III	II	III	III	II
Pollution degree	3	2	2	3	2	2
Rated voltage	500 V	630 V	1000 V	630 V	1000 V	1000 V
Rated impulse voltage	6 kV	6 kV	6 kV	8 kV	8 kV	8 kV
Rated current	41 A	41 A	41 A	41 A	41 A	41 A
Approbations per	UL 1059			UL 1059		
Use group	B	C	D	B	C	D
Rated voltage	300 V	150 V	300 V	300 V	150 V	300 V
Rated current	30 A	30 A	10 A	30 A	30 A	10 A
Approbations per	CSA			CSA		
Use group	B	C	D	B	C	D
Rated voltage	300 V	150 V	300 V	300 V	150 V	300 V
Rated current	30 A	30 A	10 A	30 A	30 A	10 A

Connection Data

Connection technology	CAGE CLAMP®
Strip length	11 ... 12 mm / 0.43 ... 0.47 inch
Conductor connection direction to PCB	45 °
Solid conductor	0.2 ... 6 mm ² / 24 ... 10 AWG
Fine-stranded conductor	0.2 ... 6 mm ² / 24 ... 10 AWG
Fine-stranded conductor; with insulated ferrule	0.25 ... 4 mm ²
Fine-stranded conductor; with uninsulated ferrule	0.25 ... 4 mm ²

Material Data

Material group	I
Insulation material	Polyamide (PA66)
Flammability class per UL94	V0
Clamping spring material	Chrome nickel spring steel (CrNi)
Contact material	Electrolytic copper (E _{cu})
Contact plating	Tin-plated

Mechanical Data

Solder pin arrangement	Over the entire terminal strip (in-line)
Solder pin length	4.5 mm
Solder pin dimensions	1 x 1.4 mm
Drilled hole diameter with tolerance	1.8 ^(±0.1) mm

Environmental Requirements

Limit temperature range	-60 ... +105 °C
-------------------------	-----------------

Ferrule	Page 879
Jumper	Page 259
Marking	Page 862
Test and measurement	Page 886
Tool	Page 870

See technical section for further information

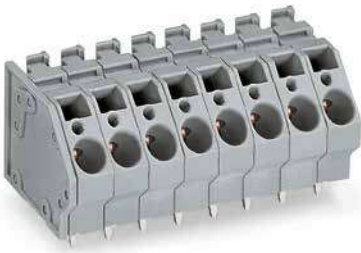
For approvals and corresponding ratings, visit www.wago.com

PCB terminal block ▶ 745 Series

CAGE CLAMP® ▶ Actuation type: Operating tool ▶ 6 mm² ▶ Number of jumper slots: 1 ▶ Color: gray

Pin spacing: 7.5 mm / 0.295 inch

Pin spacing: 10 mm / 0.394 inch

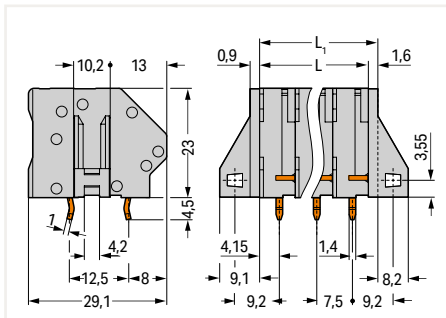


745-308

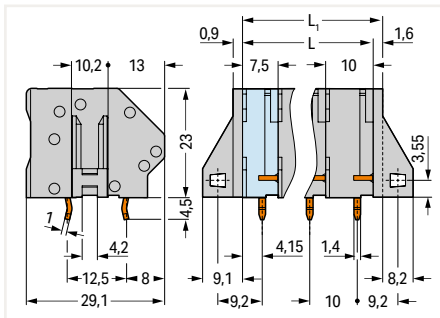
745-357

Pole No.	Item No.	PU
2	745-302	128
3	745-303	88
4	745-304	64
5	745-305	48
6	745-306	40
7	745-307	40
8	745-308	32
9	745-309	24
10	745-310	24
12	745-312	16

Pole No.	Item No.	PU
2	745-352	104
3	745-353	72
4	745-354	48
5	745-355	40
6	745-356	32
7	745-357	24
8	745-358	24
9	745-359	24
10	745-360	16
12	745-362	16



$L = (\text{pole no.} - 1) \times \text{pin spacing} + 7.5 \text{ mm}$
 $L_1 = L + 1.6 \text{ mm} \triangleq \text{version without mounting flange}$



$L = (\text{pole no.} - 1) \times \text{pin spacing} + 7.5 \text{ mm}$
 $L_1 = L + 1.6 \text{ mm} \triangleq \text{version without mounting flange}$

PU = Packaging Unit; SPU = Subpackaging Unit; Dimensions in mm

Other versions (or variants) can be requested from WAGO Sales or configured at <https://configurator.wago.com/>.

- Other pole numbers
- Versions for Ex e II and Ex i
- Other colors
- Mixed-color PCB connector strips
- Versions with mounting flanges
- Direct marking

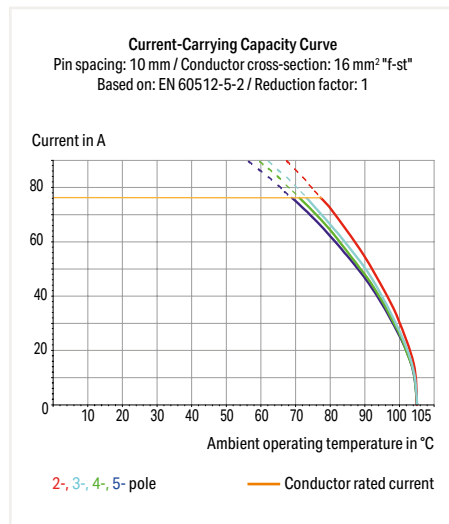
Stackable PCB terminal block ▶ 745 Series

CAGE CLAMP® ▶ Actuation type: Operating tool ▶ 16 mm² ▶ Number of jumper slots: 1

1



- Modular PCB terminal blocks with screwdriver-actuated CAGE CLAMP® for custom PCB terminal strip assemblies
- Versions with Ex approval
- Unrestricted UL approval up to 600 V with 20 mm pin spacing
- Common and distribute potentials via comb-style jumper bars
- Four solder pins for high mechanical stability
- Integrated testing tap
- Marker slot for Mini-WSB markers

**Electrical Data**

Pin spacing	10 mm / 0.394 inch			15 mm / 0.591 inch			20 mm / 0.787 inch		
Ratings per	IEC/EN 60664-1								
Overvoltage category	III	III	II	III	III	II	III	III	II
Pollution degree	3	2	2	3	2	2	3	2	2
Rated voltage	320 V	320 V	630 V	630 V	1000 V	1000 V	1000 V	1000 V	1000 V
Rated impulse voltage	4 kV	4 kV	4 kV	8 kV	8 kV	8 kV	12 kV	12 kV	12 kV
Rated current	76 A	76 A	76 A	76 A	76 A	76 A	76 A	76 A	76 A
Approbations per	UL 1059			UL 1059			UL 1059		
Use group	B	C	D	B	C	D	B	C	D
Rated voltage	300 V	-	300 V	300 V	300 V	600 V	600 V	600 V	-
Rated current	10 A	-	10 A	65 A	65 A	5 A	65 A	65 A	-
Approbations per	CSA			CSA			CSA		
Use group	B	C	D	B	C	D	B	C	D
Rated voltage	300 V	-	300 V	300 V	300 V	600 V	600 V	600 V	-
Rated current	10 A	-	10 A	65 A	65 A	5 A	65 A	65 A	-

Connection Data

Connection technology	CAGE CLAMP®
Strip length	12 ... 13 mm / 0.47 ... 0.51 inch
Conductor connection direction to PCB	45°
Solid conductor	0.2 ... 16 mm ² / 24 ... 6 AWG
Fine-stranded conductor	0.2 ... 16 mm ² / 24 ... 6 AWG
Fine-stranded conductor; with insulated ferrule	0.25 ... 10 mm ²
Fine-stranded conductor; with uninsulated ferrule	0.25 ... 10 mm ²

Material Data

Material group	I
Insulation material	Polyamide (PA66)
Flammability class per UL94	V0
Clamping spring material	Chrome nickel spring steel (CrNi)
Contact material	Electrolytic copper (E _{cu})
Contact plating	Tin-plated

Mechanical Data

Solder pin arrangement	Over the entire terminal strip (in-line)
Solder pin length	6.5 mm
Solder pin dimensions	1.2 x 1.6 mm
Drilled hole diameter with tolerance	2.2 ^(+0.1) mm

Environmental Requirements

Limit temperature range	-60 ... +105 °C
-------------------------	-----------------

Ferrule Page 879

Jumper Page 259

Marking Page 862

Test and measurement Page 886

Tool Page 870

See technical section for further information

For approvals and corresponding ratings, visit www.wago.com

Stackable PCB terminal block ▶ 745 Series

CAGE CLAMP® ▶ Actuation type: Operating tool ▶ 16 mm² ▶ Number of jumper slots: 1

Pin spacing: 10 mm / 0.394 inch

Pin spacing: 15 mm / 0.591 inch

Pin spacing: 20 mm / 0.787 inch



745-851/006-000



745-871/006-000

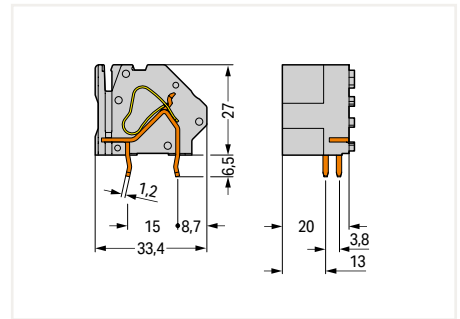
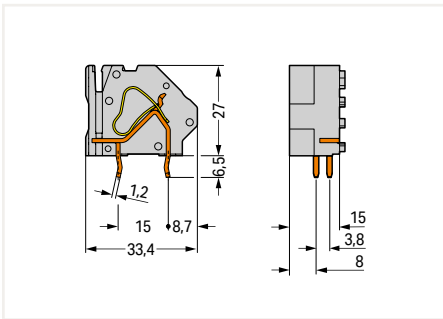
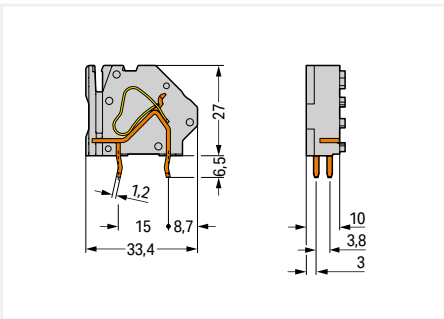


745-881/006-000

Color	Item No.	PU (SPU)
gray	745-851/006-000	100 (100)
blue	745-854/006-000	100 (100)
light gray	745-853/006-000	100
green-yellow	745-857/006-000	100 (100)
light green	745-858/006-000	100

Color	Item No.	PU (SPU)
gray	745-871/006-000	100 (100)
blue	745-874/006-000	100 (100)
light gray	745-873/006-000	100 (100)
green-yellow	745-877/006-000	100 (100)
light green	745-878/006-000	100

Color	Item No.	PU (SPU)
gray	745-881/006-000	50 (50)
blue	745-884/006-000	50 (50)
light gray	745-883/006-000	50 (50)
green-yellow	745-887/006-000	50 (50)
light green	745-888/006-000	50



Accessories; for all products on this page



End plate; Width: 1.7 mm; snap-on type		
Color	Item No.	PU (SPU)
gray	745-500	500 (100)



End plate; Width: 10.5 mm; Screw mount		
	Item No.	PU (SPU)
	745-540	200 (50)
	745-545	200 (50)

PU = Packaging Unit; SPU = Subpackaging Unit; Dimensions in mm

Other versions (or variants) can be requested from WAGO Sales or configured at <https://configurator.wago.com/>.

- Versions for Ex e II and Ex i
- Other colors
- Solder pin length: 5 mm

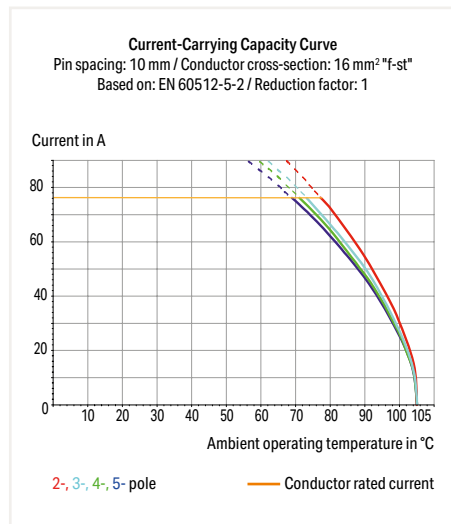
PCB terminal block ▶ 745 Series

CAGE CLAMP® ▶ Actuation type: Operating tool ▶ 16 mm² ▶ Number of jumper slots: 1 ▶ Color: gray

1



- PCB terminal strips with screwdriver-actuated CAGE CLAMP® connection
- Versions with Ex approval
- Unrestricted UL approval up to 600 V with 20 mm pin spacing
- Common and distribute potentials via comb-style jumper bars
- Four solder pins for high mechanical stability
- Integrated testing tap
- Marker slot for Mini-WSB markers

**Electrical Data**

Pin spacing	10 mm / 0.394 inch			15 mm / 0.591 inch			20 mm / 0.787 inch		
Ratings per	IEC/EN 60664-1								
Overvoltage category	III	III	II	III	III	II	III	III	II
Pollution degree	3	2	2	3	2	2	3	2	2
Rated voltage	320 V	320 V	630 V	630 V	1000 V	1000 V	1000 V	1000 V	1000 V
Rated impulse voltage	4 kV	4 kV	4 kV	8 kV	8 kV	8 kV	12 kV	12 kV	12 kV
Rated current	76 A	76 A	76 A	76 A	76 A	76 A	76 A	76 A	76 A
Approbations per	UL 1059			UL 1059			UL 1059		
Use group	B	C	D	B	C	D	B	C	D
Rated voltage	300 V	-	300 V	300 V	300 V	600 V	600 V	600 V	-
Rated current	10 A	-	10 A	65 A	65 A	5 A	65 A	65 A	-
Approbations per	CSA			CSA			CSA		
Use group	B	C	D	B	C	D	B	C	D
Rated voltage	300 V	-	300 V	300 V	300 V	600 V	600 V	600 V	-
Rated current	10 A	-	10 A	65 A	65 A	5 A	65 A	65 A	-

Connection Data

Connection technology	CAGE CLAMP®
Strip length	12 ... 13 mm / 0.47 ... 0.51 inch
Conductor connection direction to PCB	45°
Solid conductor	0.2 ... 16 mm ² / 24 ... 6 AWG
Fine-stranded conductor	0.2 ... 16 mm ² / 24 ... 6 AWG
Fine-stranded conductor; with insulated ferrule	0.25 ... 10 mm ²
Fine-stranded conductor; with uninsulated ferrule	0.25 ... 10 mm ²

Material Data

Material group	I
Insulation material	Polyamide (PA66)
Flammability class per UL94	V0
Clamping spring material	Chrome nickel spring steel (CrNi)
Contact material	Electrolytic copper (E _{cu})
Contact plating	Tin-plated

Mechanical Data

Solder pin arrangement	Over the entire terminal strip (in-line)
Solder pin length	6.5 mm
Solder pin dimensions	1.2 x 1.6 mm
Drilled hole diameter with tolerance	2.2 ^(+0.1) mm

Environmental Requirements

Limit temperature range	-60 ... +105 °C
-------------------------	-----------------

Ferrule	Page 879
Jumper	Page 259
Marking	Page 862
Test and measurement	Page 886
Tool	Page 870

See technical section for further information

For approvals and corresponding ratings, visit www.wago.com

PCB terminal block ▶ 745 Series

CAGE CLAMP® ▶ Actuation type: Operating tool ▶ 16 mm² ▶ Number of jumper slots: 1 ▶ Color: gray

Pin spacing: 10 mm / 0.394 inch

Pin spacing: 15 mm / 0.591 inch

Pin spacing: 20 mm / 0.787 inch



745-504/006-000



745-604/006-000

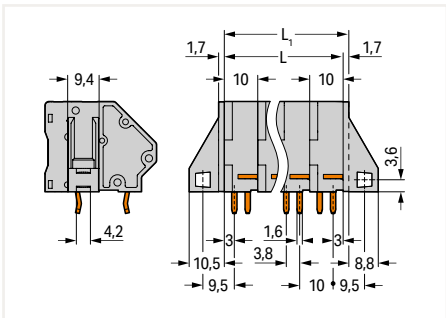


745-654/006-000

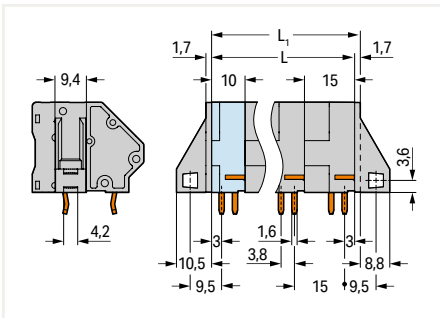
Pole No.	Item No.	PU
2	745-502/006-000	48
3	745-503/006-000	32
4	745-504/006-000	24
5	745-505/006-000	20

Pole No.	Item No.	PU
2	745-602/006-000	36
3	745-603/006-000	24
4	745-604/006-000	16
5	745-605/006-000	12

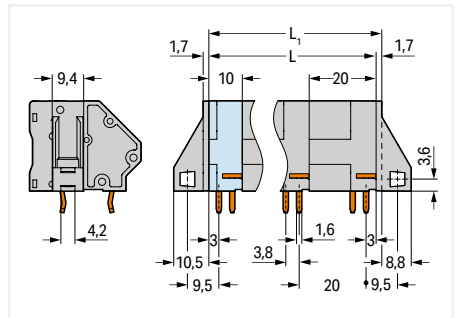
Pole No.	Item No.	PU
2	745-652/006-000	32
3	745-653/006-000	20
4	745-654/006-000	12
5	745-655/006-000	8



L = (pole no. - 1) x pin spacing + 10 mm
 L₁ = L + 1.7 mm ≙ version **without** mounting flange



L = (pole no. - 1) x pin spacing + 10 mm
 L₁ = L + 1.7 mm ≙ version **without** mounting flange



L = (pole no. - 1) x pin spacing + 10 mm
 L₁ = L + 1.7 mm ≙ version **without** mounting flange

PU = Packaging Unit; SPU = Subpackaging Unit; Dimensions in mm

Other versions (or variants) can be requested from WAGO Sales or configured at <https://configurator.wago.com/>.

- Other pole numbers
- Versions for Ex e II and Ex i
- Other colors
- Mixed-color PCB connector strips
- Versions with mounting flanges
- Direct marking
- Solder pin length: 5 mm

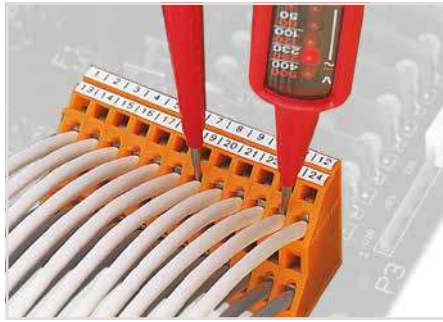
736, 737 and 738 Series

Description and Installation

1



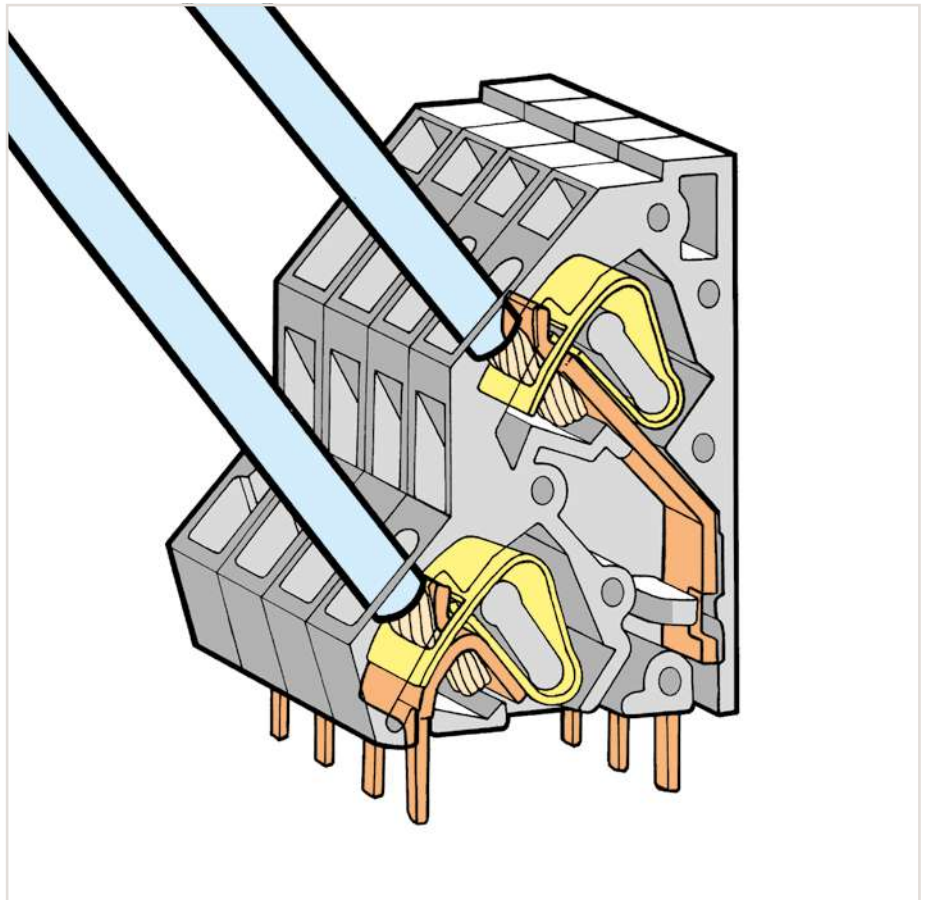
Inserting a conductor via 3.5 mm screwdriver.
Screwdriver actuation parallel to conductor entry.



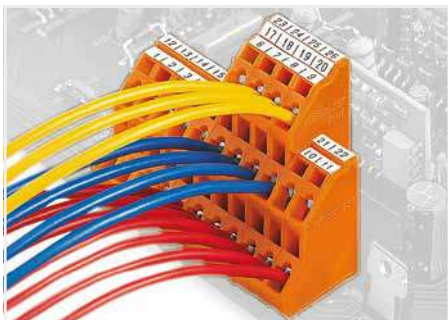
Testing via contact area above the conductors.



Low space requirements due to high-density design
– double-deck PCB terminal strip – 736 Series.



736 Series



Labeling with self-adhesive marking strips.

736, 737 and 738 Series Combination of Multilevel PCB Terminal Strips

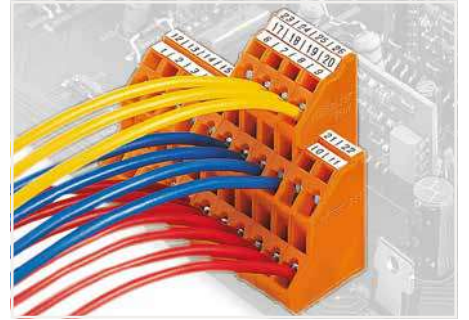
1



Possible combination:
Double- (736 Series) and triple-deck PCB terminal strips (737 Series) upon request
Combination of Multilevel PCB Terminal Strips



Possible combination:
Double- (736 Series) and triple-deck PCB terminal strips (737 Series) upon request



Possible combination:
Double- (737 Series) and quadruple-deck PCB terminal strips (738 Series) upon request

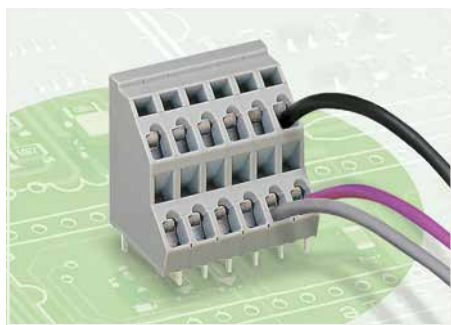


Possible combination:
Double- (737 Series) and quadruple-deck PCB terminal strips (738 Series) upon request

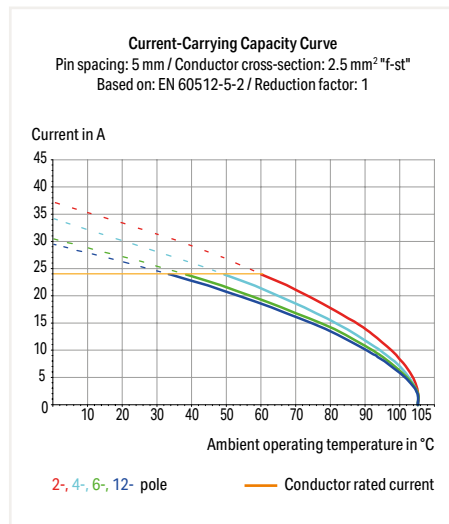
Double-deck PCB terminal block ▶ 736 Series

CAGE CLAMP® ▶ Actuation type: Operating tool ▶ 2.5 mm² ▶ Color: gray

1



- PCB terminal strips with screwdriver-actuated CAGE CLAMP® connection
- High-density, double-deck design for space-efficient wiring of multiple conductors in confined areas
- Custom marking for all termination levels



Electrical Data									
Pin spacing	5 mm / 0.197 inch			7.5 mm / 0.295 inch			10 mm / 0.394 inch		
between the modules									
Ratings per	IEC/EN 60664-1			IEC/EN 60664-1			IEC/EN 60664-1		
Overtoltage category	III	III	II	III	III	II	III	III	II
Pollution degree	3	2	2	3	2	2	3	2	2
Rated voltage	250 V	320 V	630 V	400 V	630 V	1000 V	630 V	1000 V	1000 V
Rated impulse voltage	4 kV	4 kV	4 kV	6 kV	6 kV	6 kV	8 kV	8 kV	8 kV
Rated current	21 A	21 A	21 A	21 A	21 A	21 A	21 A	21 A	21 A
Approbations per	UL 1059			UL 1059			UL 1059		
Use group	B	C	D	B	C	D	B	C	D
Rated voltage	300 V	-	300 V	300 V	-	300 V	300 V	-	300 V
Rated current	10 A	-	10 A	10 A	-	10 A	10 A	-	10 A
Approbations per	CSA			CSA			CSA		
Use group	B	C	D	B	C	D	B	C	D
Rated voltage	300 V	-	300 V	300 V	-	300 V	300 V	-	300 V
Rated current	10 A	-	10 A	10 A	-	10 A	10 A	-	10 A

between the decks									
Ratings per	IEC/EN 60664-1			IEC/EN 60664-1			IEC/EN 60664-1		
Overtoltage category	III	III	II	III	III	II	III	III	II
Pollution degree	3	2	2	3	2	2	3	2	2
Rated voltage	320 V	320 V	630 V	320 V	320 V	630 V	320 V	320 V	630 V
Rated impulse voltage	4 kV	4 kV	4 kV	4 kV	4 kV	4 kV	4 kV	4 kV	4 kV
Rated current	21 A	21 A	21 A	21 A	21 A	21 A	21 A	21 A	21 A

Connection Data	
Connection technology	CAGE CLAMP®
Strip length	5 ... 6 mm / 0.2 ... 0.24 inch
Conductor connection direction to PCB	45 °
Solid conductor	0.08 ... 2.5 mm ² / 28 ... 12 AWG
Fine-stranded conductor	0.08 ... 2.5 mm ² / 28 ... 12 AWG
Fine-stranded conductor; with insulated ferrule	0.25 ... 1.5 mm ²
Fine-stranded conductor; with uninsulated ferrule	0.25 ... 2.5 mm ²
Note (conductor cross-section)	12 AWG: THHN, THWN

Material Data	
Material group	I
Insulation material	Polyamide (PA66)
Flammability class per UL94	V0
Clamping spring material	Chrome nickel spring steel (CrNi)
Contact material	Electrolytic copper (E _{cu})
Contact plating	Tin-plated

Mechanical Data	
Solder pin length	4 mm
Solder pin dimensions	0.7 x 0.7 mm
Drilled hole diameter with tolerance	1.3 ^(+0.1) mm

Environmental Requirements	
Limit temperature range	-60 ... +105 °C

Ferrule [Page 879](#)

Marking [Page 865](#)

Test and measurement [Page 260](#)

Tool [Page 870](#)

Commoning strips [Page 262](#)

See technical section for further information

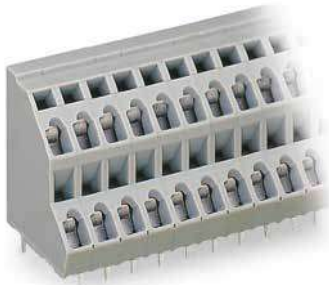
For approvals and corresponding ratings, visit www.wago.com

Double-deck PCB terminal block ▶ 736 Series CAGE CLAMP® ▶ Actuation type: Operating tool ▶ 2.5 mm² ▶ Color: gray

Pin spacing: 5 mm / 0.197 inch

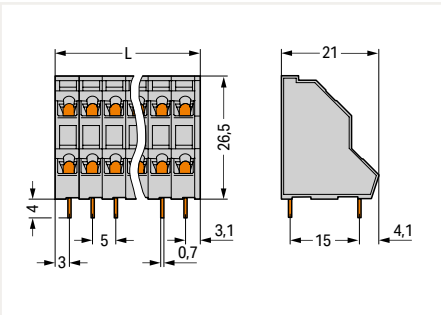
Solder pin arrangement Within the terminal block (in-line)

Solder pin arrangement Within the terminal block (staggered)

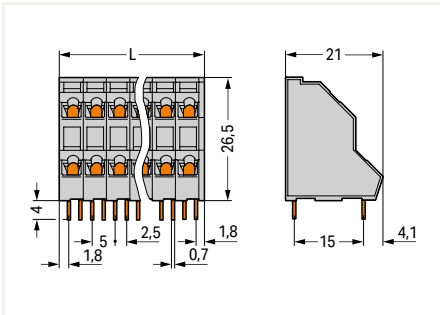


Pole No.	Distribution	Item No.	PU
4	2 x 2	736-102	161
6	2 x 3	736-103	112
8	2 x 4	736-104	84
12	2 x 6	736-106	56
16	2 x 8	736-108	42
24	2 x 12	736-112	28
32	2 x 16	736-116	21
48	2 x 24	736-124	14

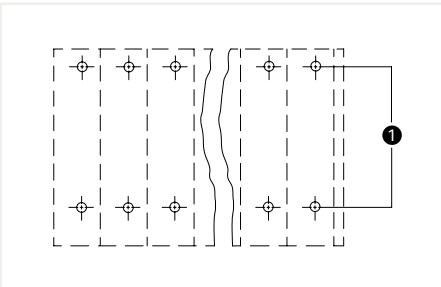
Pole No.	Distribution	Item No.	PU
4	2 x 2	736-202	161
6	2 x 3	736-203	112
8	2 x 4	736-204	84
12	2 x 6	736-206	56
16	2 x 8	736-208	42
24	2 x 12	736-212	28
32	2 x 16	736-216	21
48	2 x 24	736-224	14



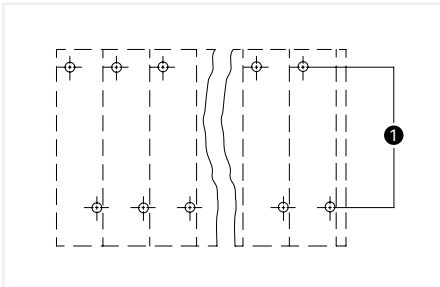
L = (pole no. x pin spacing) + 1 mm



L = (pole no. x pin spacing) + 1 mm



(1) Solder pins in line



(1) Solder pins staggered by half the pin spacing

PU = Packaging Unit; SPU = Subpackaging Unit; Dimensions in mm

Other versions (or variants) can be requested from WAGO Sales or configured at <https://configurator.wago.com/>.

- Other pole numbers
- Other colors
- Mixed-color PCB connector strips
- Direct marking

Double-deck PCB terminal block ▶ 736 Series

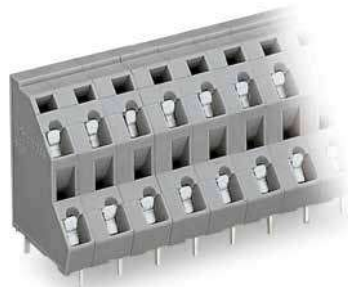
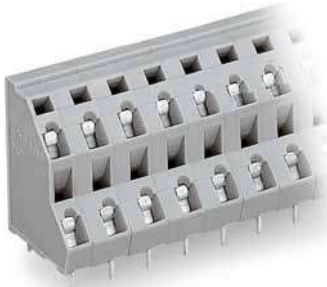
CAGE CLAMP® ▶ Actuation type: Operating tool ▶ 2.5 mm² ▶ Color: gray

Pin spacing: 7.5 mm / 0.295 inch

Solder pin arrangement Within the terminal block (in-line)

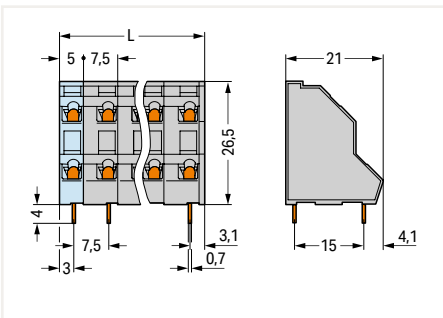
Solder pin arrangement Within the terminal block (staggered)

1

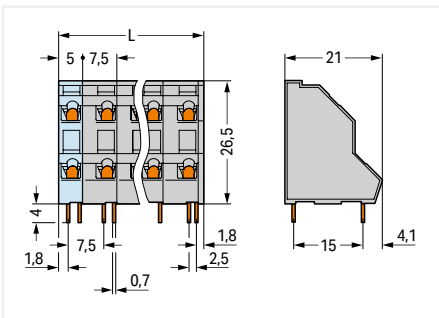


Pole No.	Distribution	Item No.	PU
4	2 x 2	736-502	133
6	2 x 3	736-503	84
8	2 x 4	736-504	63
12	2 x 6	736-506	42
16	2 x 8	736-508	28
24	2 x 12	736-512	21
32	2 x 16	736-516	14

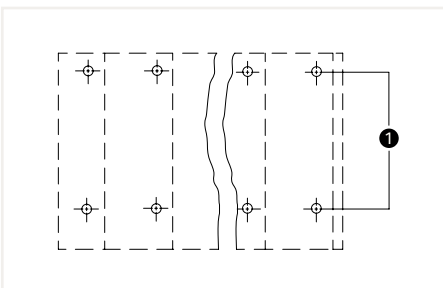
Pole No.	Distribution	Item No.	PU
4	2 x 2	736-552	133
6	2 x 3	736-553	84
8	2 x 4	736-554	63
12	2 x 6	736-556	42
16	2 x 8	736-558	28
24	2 x 12	736-562	21
32	2 x 16	736-566	14



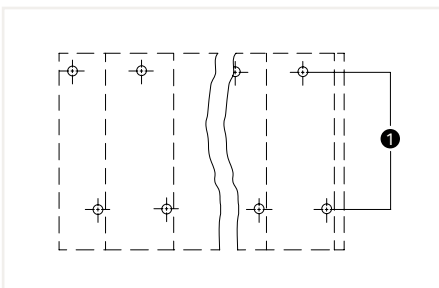
$$L = (\text{pole no.} - 1) \times \text{pin spacing} + 5 \text{ mm} + 1 \text{ mm}$$



$$L = (\text{pole no.} - 1) \times \text{pin spacing} + 5 \text{ mm} + 1 \text{ mm}$$



(1) Solder pins in line



(1) Solder pins staggered by half the pin spacing

PU = Packaging Unit; SPU = Subpackaging Unit; Dimensions in mm

Other versions (or variants) can be requested from WAGO Sales or configured at <https://configurator.wago.com/>.

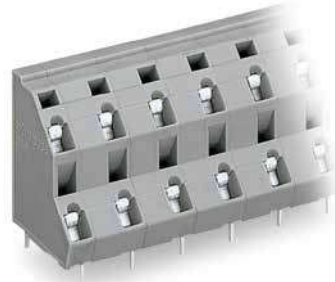
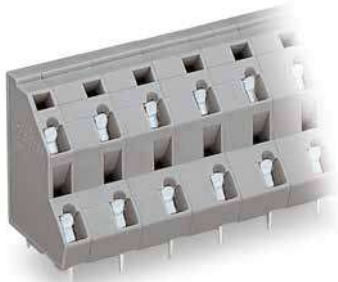
- Other pole numbers
- Other colors
- Mixed-color PCB connector strips
- Direct marking

Double-deck PCB terminal block ▶ 736 Series CAGE CLAMP® ▶ Actuation type: Operating tool ▶ 2.5 mm² ▶ Color: gray

Pin spacing: 10 mm / 0.394 inch

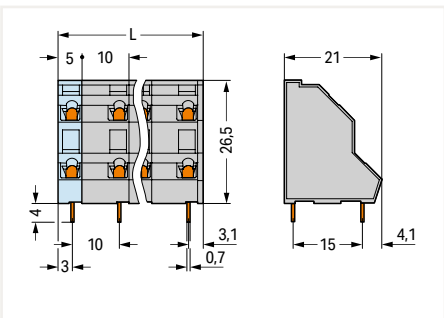
Solder pin arrangement Within the terminal block (in-line)

Solder pin arrangement Within the terminal block (staggered)

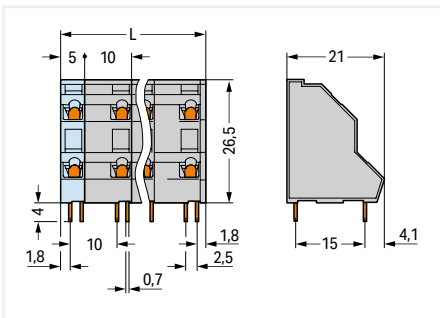


Pole No.	Distribution	Item No.	PU
4	2 x 2	736-702	112
6	2 x 3	736-703	70
8	2 x 4	736-704	49
12	2 x 6	736-706	28
16	2 x 8	736-708	21
24	2 x 12	736-712	14

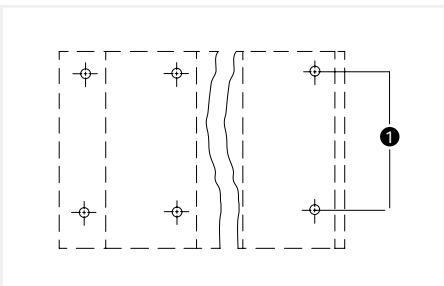
Pole No.	Distribution	Item No.	PU
4	2 x 2	736-752	112
6	2 x 3	736-753	70
8	2 x 4	736-754	49
12	2 x 6	736-756	28
16	2 x 8	736-758	21
24	2 x 12	736-762	14



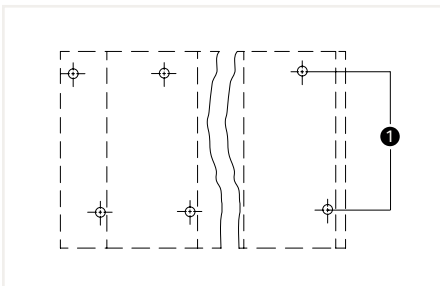
$L = (\text{pole no.} - 1) \times \text{pin spacing} + 5 \text{ mm} + 1 \text{ mm}$



$L = (\text{pole no.} - 1) \times \text{pin spacing} + 5 \text{ mm} + 1 \text{ mm}$



(1) Solder pins in line



(1) Solder pins staggered by half the pin spacing

PU = Packaging Unit; SPU = Subpackaging Unit; Dimensions in mm

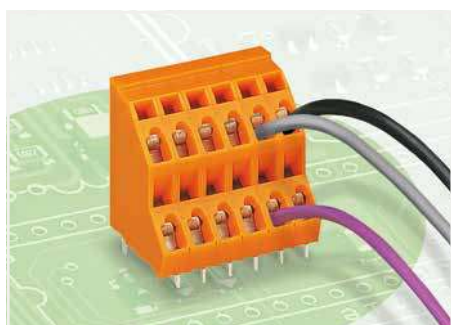
Other versions (or variants) can be requested from WAGO Sales or configured at <https://configurator.wago.com/>.

- Other pole numbers
- Other colors
- Mixed-color PCB connector strips
- Direct marking

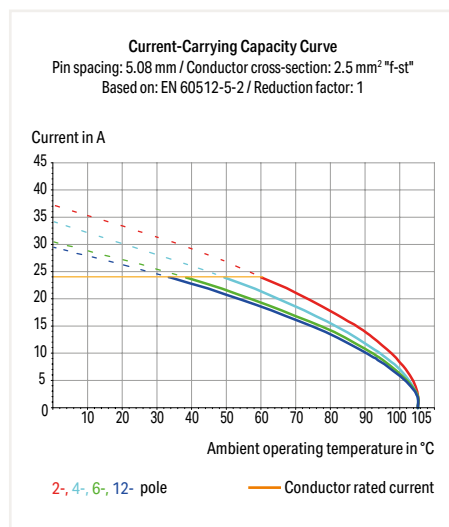
Double-deck PCB terminal block ▶ 736 Series

CAGE CLAMP® ▶ Actuation type: Operating tool ▶ 2.5 mm² ▶ Color: orange

1



- PCB terminal strips with screwdriver-actuated CAGE CLAMP® connection
- High-density, double-deck design for space-efficient wiring of multiple conductors in confined areas
- Custom marking for all termination levels



Electrical Data									
Pin spacing	5.08 mm / 0.2 inch			7.62 mm / 0.3 inch			10.16 mm / 0.4 inch		
between the modules									
Ratings per	IEC/EN 60664-1			IEC/EN 60664-1			IEC/EN 60664-1		
Overtoltage category	III	III	II	III	III	II	III	III	II
Pollution degree	3	2	2	3	2	2	3	2	2
Rated voltage	250 V	320 V	630 V	400 V	630 V	1000 V	630 V	1000 V	1000 V
Rated impulse voltage	4 kV	4 kV	4 kV	6 kV	6 kV	6 kV	8 kV	8 kV	8 kV
Rated current	21 A	21 A	21 A	21 A	21 A	21 A	21 A	21 A	21 A
between the decks									
Ratings per	UL 1059			UL 1059			UL 1059		
Use group	B	C	D	B	C	D	B	C	D
Rated voltage	300 V	-	300 V	300 V	-	300 V	300 V	-	300 V
Rated current	10 A	-	10 A	10 A	-	10 A	10 A	-	10 A
between the decks									
Ratings per	CSA			CSA			CSA		
Use group	B	C	D	B	C	D	B	C	D
Rated voltage	300 V	-	300 V	300 V	-	300 V	300 V	-	300 V
Rated current	10 A	-	10 A	10 A	-	10 A	10 A	-	10 A

between the decks									
Ratings per	IEC/EN 60664-1			IEC/EN 60664-1			IEC/EN 60664-1		
Overtoltage category	III	III	II	III	III	II	III	III	II
Pollution degree	3	2	2	3	2	2	3	2	2
Rated voltage	320 V	320 V	630 V	320 V	320 V	630 V	320 V	320 V	630 V
Rated impulse voltage	4 kV	4 kV	4 kV	4 kV	4 kV	4 kV	4 kV	4 kV	4 kV
Rated current	21 A	21 A	21 A	21 A	21 A	21 A	21 A	21 A	21 A

Connection Data	
Connection technology	CAGE CLAMP®
Strip length	5 ... 6 mm / 0.2 ... 0.24 inch
Conductor connection direction to PCB	45 °
Solid conductor	0.08 ... 2.5 mm ² / 28 ... 12 AWG
Fine-stranded conductor	0.08 ... 2.5 mm ² / 28 ... 12 AWG
Fine-stranded conductor; with insulated ferrule	0.25 ... 1.5 mm ²
Fine-stranded conductor; with uninsulated ferrule	0.25 ... 2.5 mm ²
Note (conductor cross-section)	12 AWG: THHN, THWN

Material Data	
Material group	I
Insulation material	Polyamide (PA66)
Flammability class per UL94	V0
Clamping spring material	Chrome nickel spring steel (CrNi)
Contact material	Electrolytic copper (E _{cu})
Contact plating	Tin-plated

Mechanical Data	
Solder pin length	4 mm
Solder pin dimensions	0.7 x 0.7 mm
Drilled hole diameter with tolerance	1.3 ^(+0.1) mm

Environmental Requirements	
Limit temperature range	-60 ... +105 °C

Ferrule Page 879

Marking Page 865

Test and measurement Page 260

Tool Page 870

Commoning strips Page 262

See technical section for further information

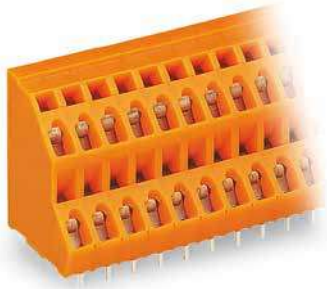
For approvals and corresponding ratings, visit www.wago.com

Double-deck PCB terminal block ▶ 736 Series CAGE CLAMP® ▶ Actuation type: Operating tool ▶ 2.5 mm² ▶ Color: orange

Pin spacing: 5.08 mm / 0.2 inch

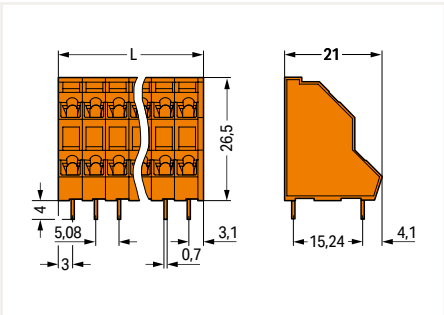
Solder pin arrangement Within the terminal block (in-line)

Solder pin arrangement Within the terminal block (staggered)

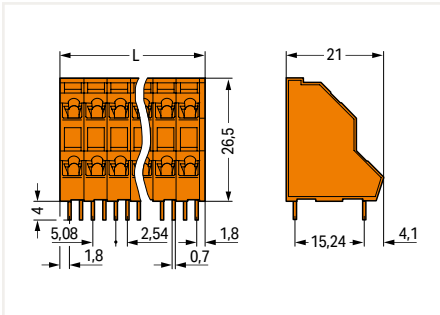


Pole No.	Distribution	Item No.	PU
4	2 x 2	736-302	161
6	2 x 3	736-303	112
8	2 x 4	736-304	84
12	2 x 6	736-306	56
16	2 x 8	736-308	42
24	2 x 12	736-312	28
32	2 x 16	736-316	21
48	2 x 24	736-324	14

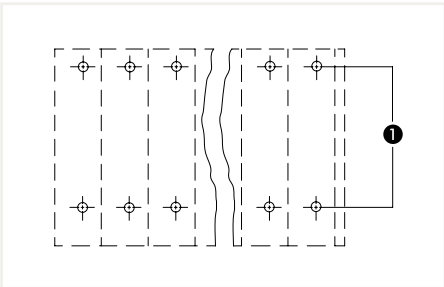
Pole No.	Distribution	Item No.	PU
4	2 x 2	736-402	161
6	2 x 3	736-403	112
8	2 x 4	736-404	84
12	2 x 6	736-406	56
16	2 x 8	736-408	42
24	2 x 12	736-412	28
32	2 x 16	736-416	21
48	2 x 24	736-424	14



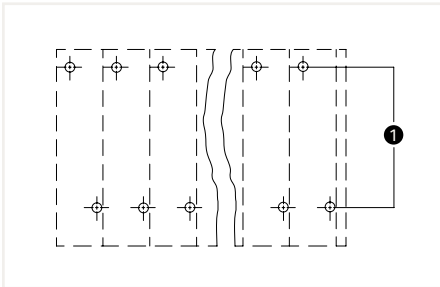
L = (pole no. x pin spacing) + 1 mm



L = (pole no. x pin spacing) + 1 mm



(1) Solder pins in line



(1) Solder pins staggered by half the pin spacing

PU = Packaging Unit; SPU = Subpackaging Unit; Dimensions in mm

Other versions (or variants) can be requested from WAGO Sales or configured at <https://configurator.wago.com/>.

- Other pole numbers
- Other colors
- Mixed-color PCB connector strips
- Direct marking

Double-deck PCB terminal block ▶ 736 Series

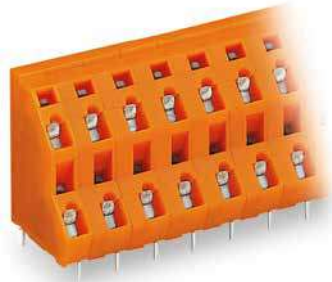
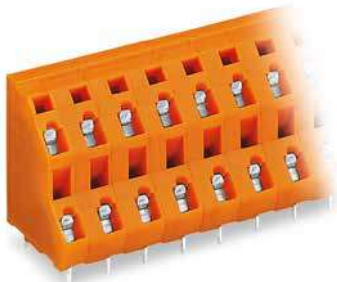
CAGE CLAMP® ▶ Actuation type: Operating tool ▶ 2.5 mm² ▶ Color: orange

Pin spacing: 7.62 mm / 0.3 inch

Solder pin arrangement Within the terminal block (in-line)

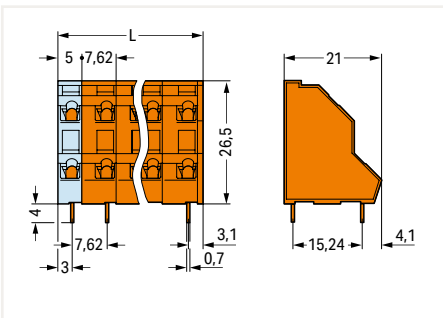
Solder pin arrangement Within the terminal block (staggered)

1

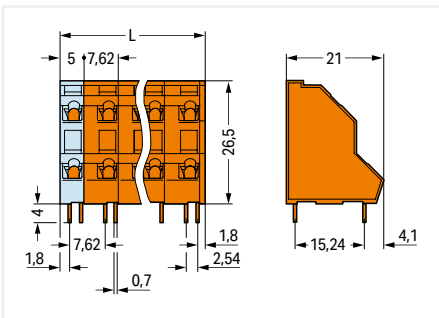


Pole No.	Distribution	Item No.	PU (SPU)
4	2 x 2	736-602	133
6	2 x 3	736-603	84 (21)
8	2 x 4	736-604	63
12	2 x 6	736-606	35
16	2 x 8	736-608	28
24	2 x 12	736-612	14
32	2 x 16	736-616	14

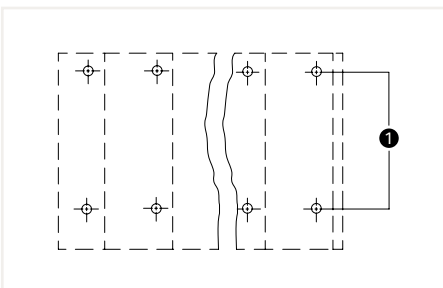
Pole No.	Distribution	Item No.	PU
4	2 x 2	736-652	133
6	2 x 3	736-653	84
8	2 x 4	736-654	63
12	2 x 6	736-656	35
16	2 x 8	736-658	28
24	2 x 12	736-662	14
32	2 x 16	736-666	14



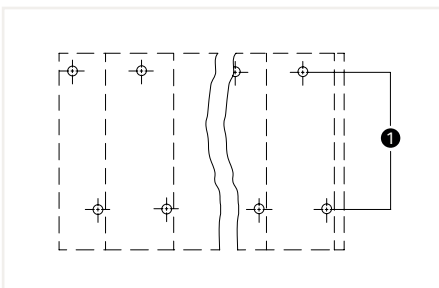
$L = (\text{pole no.} - 1) \times \text{pin spacing} + 5.08 \text{ mm} + 1 \text{ mm}$



$L = (\text{pole no.} - 1) \times \text{pin spacing} + 5.08 \text{ mm} + 1 \text{ mm}$



(1) Solder pins in line



(1) Solder pins staggered by half the pin spacing

PU = Packaging Unit; SPU = Subpackaging Unit; Dimensions in mm

Other versions (or variants) can be requested from WAGO Sales or configured at <https://configurator.wago.com/>.

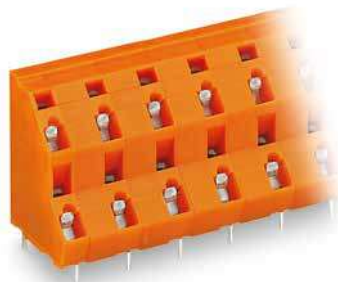
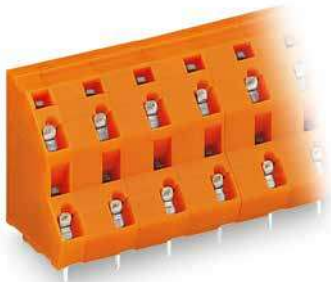
- Other pole numbers
- Other colors
- Mixed-color PCB connector strips
- Direct marking

Double-deck PCB terminal block ▶ 736 Series CAGE CLAMP® ▶ Actuation type: Operating tool ▶ 2.5 mm² ▶ Color: orange

Pin spacing: 10.16 mm / 0.4 inch

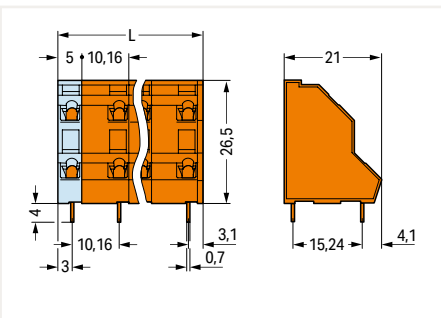
Solder pin arrangement Within the terminal block (in-line)

Solder pin arrangement Within the terminal block (staggered)

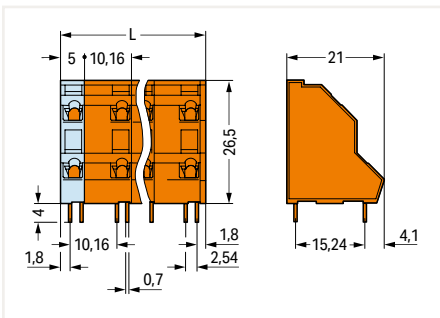


Pole No.	Distribution	Item No.	PU
4	2 x 2	736-802	112
6	2 x 3	736-803	70
8	2 x 4	736-804	49
12	2 x 6	736-806	28
16	2 x 8	736-808	21
24	2 x 12	736-812	14

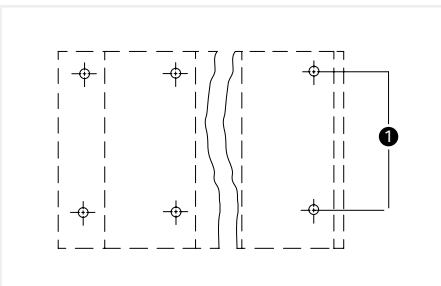
Pole No.	Distribution	Item No.	PU
4	2 x 2	736-852	112
6	2 x 3	736-853	70
8	2 x 4	736-854	49
12	2 x 6	736-856	28
16	2 x 8	736-858	21
24	2 x 12	736-862	14



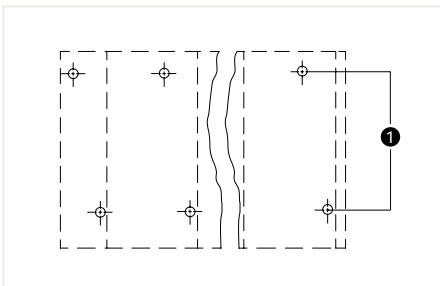
$L = (\text{pole no.} - 1) \times \text{pin spacing} + 5.08 \text{ mm} + 1 \text{ mm}$



$L = (\text{pole no.} - 1) \times \text{pin spacing} + 5.08 \text{ mm} + 1 \text{ mm}$



(1) Solder pins in line



(1) Solder pins staggered by half the pin spacing

PU = Packaging Unit; SPU = Subpackaging Unit; Dimensions in mm

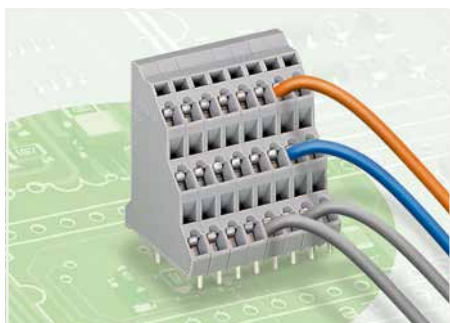
Other versions (or variants) can be requested from WAGO Sales or configured at <https://configurator.wago.com/>.

- Other pole numbers
- Other colors
- Mixed-color PCB connector strips
- Direct marking

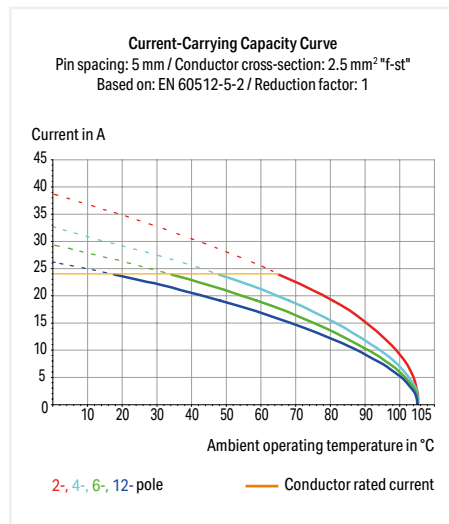
Triple-deck PCB terminal block ▶ 737 Series

CAGE CLAMP® ▶ Actuation type: Operating tool ▶ 2.5 mm² ▶ Color: gray

1



- PCB terminal strips with screwdriver-actuated CAGE CLAMP® connection
- High-density, triple-deck design for space-efficient wiring of multiple conductors in confined areas
- Custom marking for all termination levels



Electrical Data									
Pin spacing	5 mm / 0.197 inch			7.5 mm / 0.295 inch			10 mm / 0.394 inch		
between the modules									
Ratings per	IEC/EN 60664-1			IEC/EN 60664-1			IEC/EN 60664-1		
Overvoltage category	III	III	II	III	III	II	III	III	II
Pollution degree	3	2	2	3	2	2	3	2	2
Rated voltage	250 V	320 V	630 V	400 V	630 V	1000 V	630 V	1000 V	1000 V
Rated impulse voltage	4 kV	4 kV	4 kV	6 kV	6 kV	6 kV	8 kV	8 kV	8 kV
Rated current	21 A	21 A	21 A	21 A	21 A	21 A	21 A	21 A	21 A
between the decks									
Ratings per	UL 1059			UL 1059			UL 1059		
Use group	B	C	D	B	C	D	B	C	D
Rated voltage	300 V	-	300 V	300 V	-	300 V	300 V	-	300 V
Rated current	10 A	-	10 A	10 A	-	10 A	10 A	-	10 A
between the decks									
Ratings per	CSA			CSA			CSA		
Use group	B	C	D	B	C	D	B	C	D
Rated voltage	300 V	-	300 V	300 V	-	300 V	300 V	-	300 V
Rated current	10 A	-	10 A	10 A	-	10 A	10 A	-	10 A

between the decks									
Ratings per	IEC/EN 60664-1			IEC/EN 60664-1			IEC/EN 60664-1		
Overvoltage category	III	III	II	III	III	II	III	III	II
Pollution degree	3	2	2	3	2	2	3	2	2
Rated voltage	320 V	320 V	630 V	320 V	320 V	630 V	320 V	320 V	630 V
Rated impulse voltage	4 kV	4 kV	4 kV	4 kV	4 kV	4 kV	4 kV	4 kV	4 kV
Rated current	21 A	21 A	21 A	21 A	21 A	21 A	21 A	21 A	21 A

Connection Data	
Connection technology	CAGE CLAMP®
Strip length	5 ... 6 mm / 0.2 ... 0.24 inch
Conductor connection direction to PCB	45°
Solid conductor	0.08 ... 2.5 mm ² / 28 ... 12 AWG
Fine-stranded conductor	0.08 ... 2.5 mm ² / 28 ... 12 AWG
Fine-stranded conductor; with insulated ferrule	0.25 ... 1.5 mm ²
Fine-stranded conductor; with uninsulated ferrule	0.25 ... 2.5 mm ²
Note (conductor cross-section)	12 AWG: THHN, THWN

Material Data	
Material group	I
Insulation material	Polyamide (PA66)
Flammability class per UL94	V0
Clamping spring material	Chrome nickel spring steel (CrNi)
Contact material	Electrolytic copper (E _{cu})
Contact plating	Tin-plated

Mechanical Data	
Solder pin length	4 mm
Solder pin dimensions	0.7 x 0.7 mm
Drilled hole diameter with tolerance	1.3 ^(+0.1) mm

Environmental Requirements	
Limit temperature range	-60 ... +105 °C

Ferrule	Page 879
Marking	Page 865
Test and measurement	Page 260
Tool	Page 870
Commoning strips	Page 262
See technical section for further information	
For approvals and corresponding ratings, visit www.wago.com	

Triple-deck PCB terminal block ▶ 737 Series

CAGE CLAMP® ▶ Actuation type: Operating tool ▶ 2.5 mm² ▶ Color: gray

Pin spacing: 5 mm / 0.197 inch

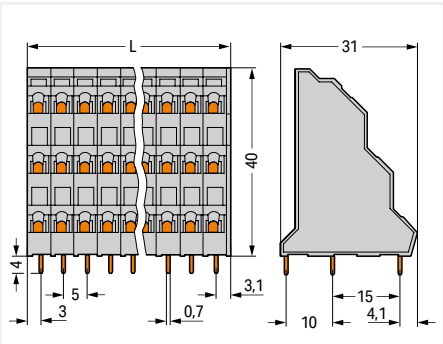
Solder pin arrangement Within the terminal block (in-line)

Solder pin arrangement Within the terminal block (staggered)

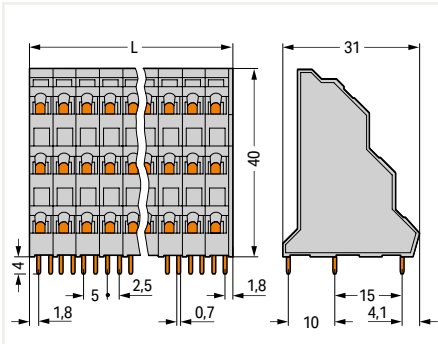


Pole No.	Distribution	Item No.	PU
6	3 x 2	737-102	92
9	3 x 3	737-103	64
12	3 x 4	737-104	48
18	3 x 6	737-106	32
24	3 x 8	737-108	24
36	3 x 12	737-112	16
48	3 x 16	737-116	12
72	3 x 24	737-124	8

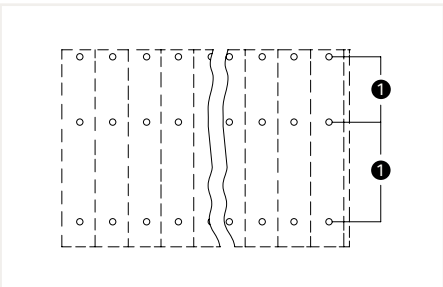
Pole No.	Distribution	Item No.	PU
6	3 x 2	737-202	92
9	3 x 3	737-203	64
12	3 x 4	737-204	48
18	3 x 6	737-206	32
24	3 x 8	737-208	24
36	3 x 12	737-212	16
48	3 x 16	737-216	12
72	3 x 24	737-224	8



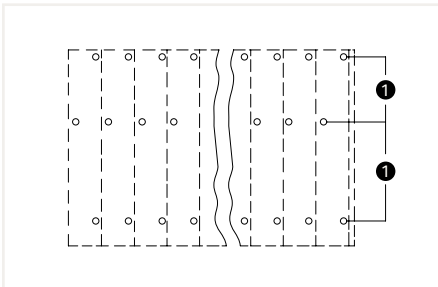
$L = (\text{pole no.} \times \text{pin spacing}) + 1 \text{ mm}$



$L = (\text{pole no.} \times \text{pin spacing}) + 1 \text{ mm}$



(1) Solder pins in line



(1) Solder pins for deck 2 staggered by half the pin spacing

PU = Packaging Unit; SPU = Subpackaging Unit; Dimensions in mm

Other versions (or variants) can be requested from WAGO Sales or configured at <https://configurator.wago.com/>.

- Other pole numbers
- Other colors
- Mixed-color PCB connector strips
- Direct marking

Triple-deck PCB terminal block ▶ 737 Series

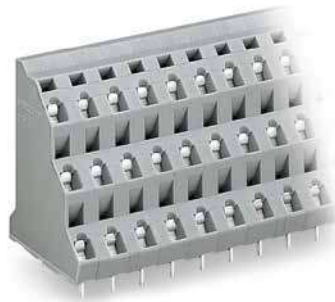
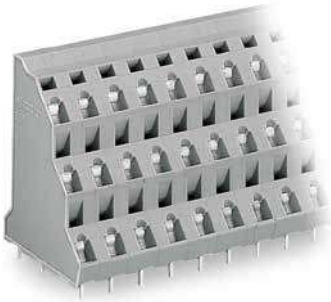
CAGE CLAMP® ▶ Actuation type: Operating tool ▶ 2.5 mm² ▶ Color: gray

Pin spacing: 7.5 mm / 0.295 inch

Solder pin arrangement Within the terminal block (in-line)

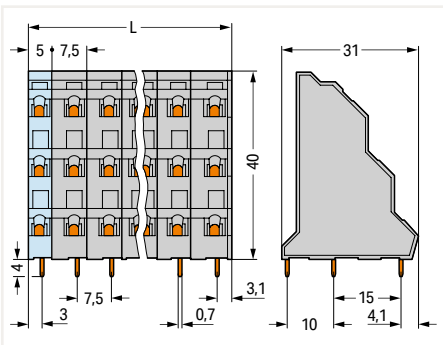
Solder pin arrangement Within the terminal block (staggered)

1

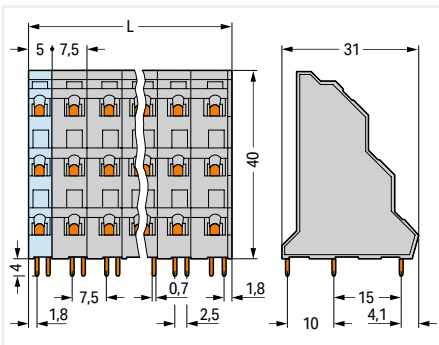


Pole No.	Distribution	Item No.	PU
6	3 x 2	737-502	76
9	3 x 3	737-503	48
12	3 x 4	737-504	36
18	3 x 6	737-506	24
24	3 x 8	737-508	16
36	3 x 12	737-512	8
48	3 x 16	737-516	8

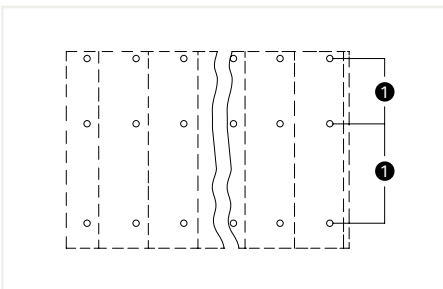
Pole No.	Distribution	Item No.	PU
6	3 x 2	737-552	76
9	3 x 3	737-553	48
12	3 x 4	737-554	36
18	3 x 6	737-556	24
24	3 x 8	737-558	16
36	3 x 12	737-562	8
48	3 x 16	737-566	8



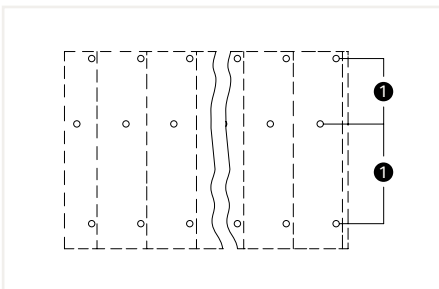
$L = (\text{pole no.} - 1) \times \text{pin spacing} + 5 \text{ mm} + 1 \text{ mm}$



$L = (\text{pole no.} - 1) \times \text{pin spacing} + 5 \text{ mm} + 1 \text{ mm}$



(1) Solder pins in line



(1) Solder pins for deck 2 staggered by half the pin spacing

PU = Packaging Unit; SPU = Subpackaging Unit; Dimensions in mm

Other versions (or variants) can be requested from WAGO Sales or configured at <https://configurator.wago.com/>.

- Other pole numbers
- Other colors
- Mixed-color PCB connector strips
- Direct marking

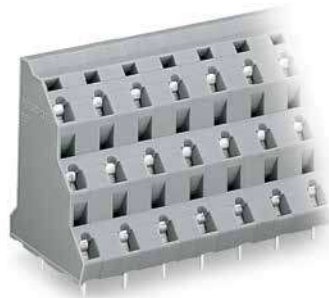
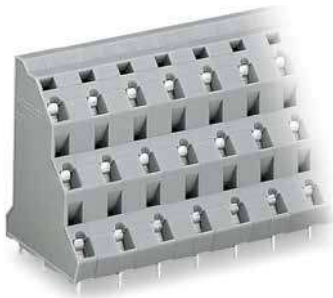
Triple-deck PCB terminal block ▶ 737 Series

CAGE CLAMP® ▶ Actuation type: Operating tool ▶ 2.5 mm² ▶ Color: gray

Pin spacing: 10 mm / 0.394 inch

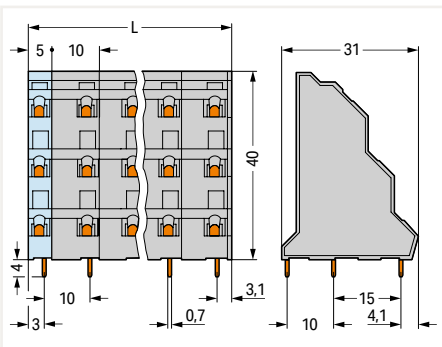
Solder pin arrangement Within the terminal block (in-line)

Solder pin arrangement Within the terminal block (staggered)

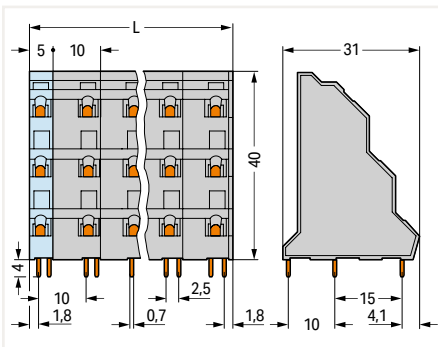


Pole No.	Distribution	Item No.	PU
6	3 x 2	737-702	64
9	3 x 3	737-703	40
12	3 x 4	737-704	28
18	3 x 6	737-706	16
24	3 x 8	737-708	12
36	3 x 12	737-712	8

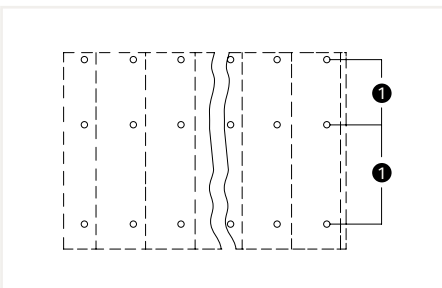
Pole No.	Distribution	Item No.	PU
6	3 x 2	737-752	64
9	3 x 3	737-753	40
12	3 x 4	737-754	28
18	3 x 6	737-756	16
24	3 x 8	737-758	12
36	3 x 12	737-762	8



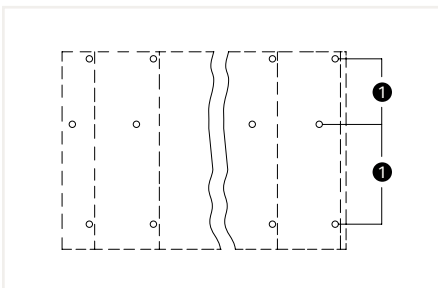
$L = (\text{pole no.} - 1) \times \text{pin spacing} + 5 \text{ mm} + 1 \text{ mm}$



$L = (\text{pole no.} - 1) \times \text{pin spacing} + 5 \text{ mm} + 1 \text{ mm}$



(1) Solder pins in line



(1) Solder pins for deck 2 staggered by half the pin spacing

PU = Packaging Unit; SPU = Subpackaging Unit; Dimensions in mm

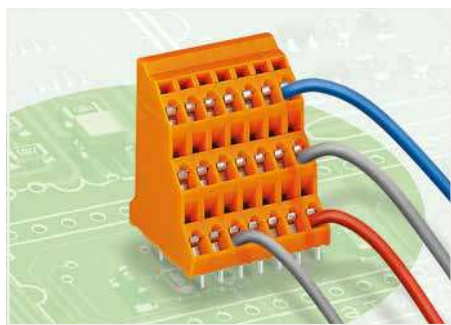
Other versions (or variants) can be requested from WAGO Sales or configured at <https://configurator.wago.com/>.

- Other pole numbers
- Other colors
- Mixed-color PCB connector strips
- Direct marking

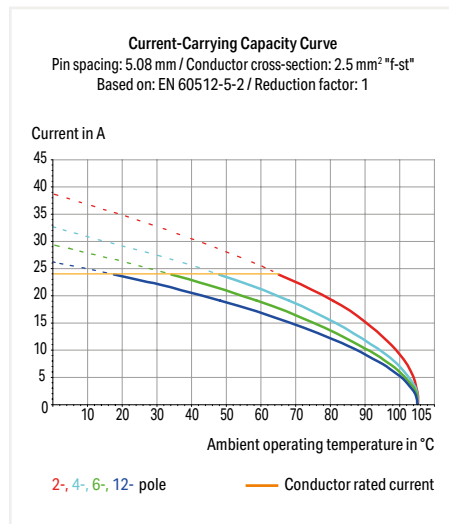
Triple-deck PCB terminal block ▶ 737 Series

CAGE CLAMP® ▶ Actuation type: Operating tool ▶ 2.5 mm² ▶ Color: orange

1



- PCB terminal strips with screwdriver-actuated CAGE CLAMP® connection
- High-density, triple-deck design for space-efficient wiring of multiple conductors in confined areas
- Custom marking for all termination levels



Electrical Data									
Pin spacing	5.08 mm / 0.2 inch			7.62 mm / 0.3 inch			10.16 mm / 0.4 inch		
between the modules									
Ratings per	IEC/EN 60664-1			IEC/EN 60664-1			IEC/EN 60664-1		
Overtoltage category	III	III	II	III	III	II	III	III	II
Pollution degree	3	2	2	3	2	2	3	2	2
Rated voltage	250 V	320 V	630 V	400 V	630 V	1000 V	630 V	1000 V	1000 V
Rated impulse voltage	4 kV	4 kV	4 kV	6 kV	6 kV	6 kV	8 kV	8 kV	8 kV
Rated current	21 A	21 A	21 A	21 A	21 A	21 A	21 A	21 A	21 A
between the decks									
Ratings per	UL 1059			UL 1059			UL 1059		
Use group	B	C	D	B	C	D	B	C	D
Rated voltage	300 V	-	300 V	300 V	-	300 V	300 V	-	300 V
Rated current	10 A	-	10 A	10 A	-	10 A	10 A	-	10 A
between the decks									
Ratings per	CSA			CSA			CSA		
Use group	B	C	D	B	C	D	B	C	D
Rated voltage	300 V	-	300 V	300 V	-	300 V	300 V	-	300 V
Rated current	10 A	-	10 A	10 A	-	10 A	10 A	-	10 A

between the decks									
Ratings per	IEC/EN 60664-1			IEC/EN 60664-1			IEC/EN 60664-1		
Overtoltage category	III	III	II	III	III	II	III	III	II
Pollution degree	3	2	2	3	2	2	3	2	2
Rated voltage	320 V	320 V	630 V	320 V	320 V	630 V	320 V	320 V	630 V
Rated impulse voltage	4 kV	4 kV	4 kV	4 kV	4 kV	4 kV	4 kV	4 kV	4 kV
Rated current	21 A	21 A	21 A	21 A	21 A	21 A	21 A	21 A	21 A

Connection Data	
Connection technology	CAGE CLAMP®
Strip length	5 ... 6 mm / 0.2 ... 0.24 inch
Conductor connection direction to PCB	45°
Solid conductor	0.08 ... 2.5 mm ² / 28 ... 12 AWG
Fine-stranded conductor	0.08 ... 2.5 mm ² / 28 ... 12 AWG
Fine-stranded conductor; with insulated ferrule	0.25 ... 1.5 mm ²
Fine-stranded conductor; with uninsulated ferrule	0.25 ... 2.5 mm ²
Note (conductor cross-section)	12 AWG: THHN, THWN

Material Data	
Material group	I
Insulation material	Polyamide (PA66)
Flammability class per UL94	V0
Clamping spring material	Chrome nickel spring steel (CrNi)
Contact material	Electrolytic copper (E _{cu})
Contact plating	Tin-plated

Mechanical Data	
Solder pin length	4 mm
Solder pin dimensions	0.7 x 0.7 mm
Drilled hole diameter with tolerance	1.3 ^(+0.1) mm

Environmental Requirements	
Limit temperature range	-60 ... +105 °C

Ferrule Page 879

Marking Page 865

Test and measurement Page 260

Tool Page 870

Commoning strips Page 262

See technical section for further information

For approvals and corresponding ratings, visit www.wago.com

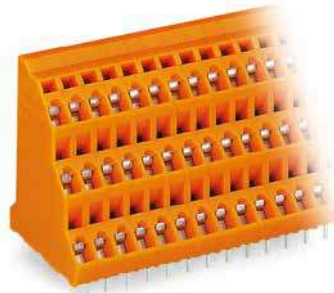
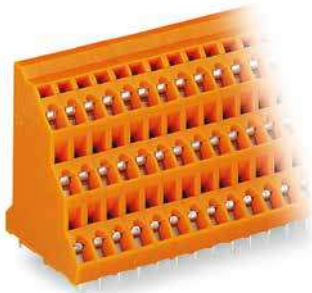
Triple-deck PCB terminal block ▶ 737 Series

CAGE CLAMP® ▶ Actuation type: Operating tool ▶ 2.5 mm² ▶ Color: orange

Pin spacing: 5.08 mm / 0.2 inch

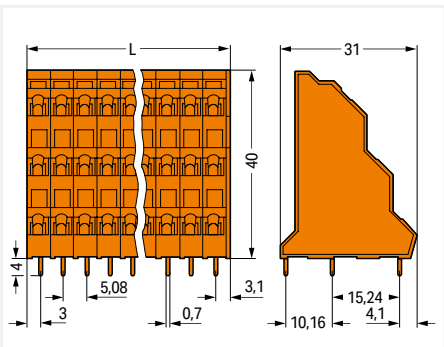
Solder pin arrangement Within the terminal block (in-line)

Solder pin arrangement Within the terminal block (staggered)

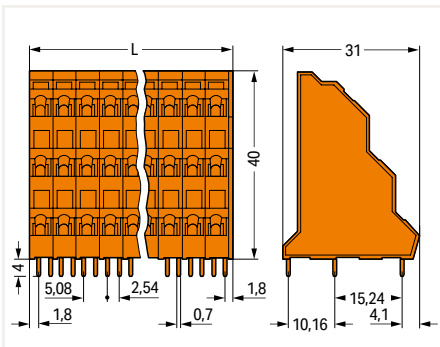


Pole No.	Distribution	Item No.	PU
6	3 x 2	737-302	92
9	3 x 3	737-303	64
12	3 x 4	737-304	48
18	3 x 6	737-306	32
24	3 x 8	737-308	24
36	3 x 12	737-312	16
48	3 x 16	737-316	12
72	3 x 24	737-324	8

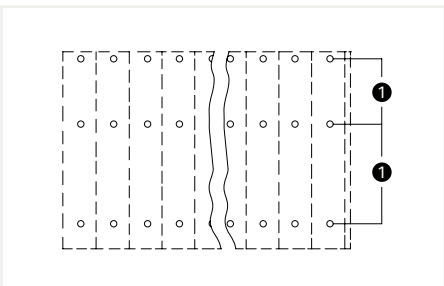
Pole No.	Distribution	Item No.	PU
6	3 x 2	737-402	96
9	3 x 3	737-403	64
12	3 x 4	737-404	48
18	3 x 6	737-406	32
24	3 x 8	737-408	24
36	3 x 12	737-412	16
48	3 x 16	737-416	12
72	3 x 24	737-424	8



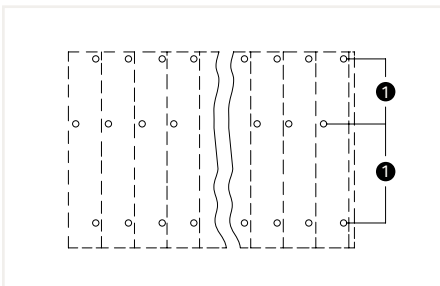
$L = (\text{pole no.} \times \text{pin spacing}) + 1 \text{ mm}$



$L = (\text{pole no.} \times \text{pin spacing}) + 1 \text{ mm}$



(1) Solder pins in line



(1) Solder pins for deck 2 staggered by half the pin spacing

PU = Packaging Unit; SPU = Subpackaging Unit; Dimensions in mm

Other versions (or variants) can be requested from WAGO Sales or configured at <https://configurator.wago.com/>.

- Other pole numbers
- Other colors
- Mixed-color PCB connector strips
- Direct marking

Triple-deck PCB terminal block ▶ 737 Series

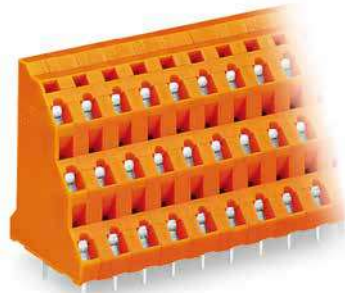
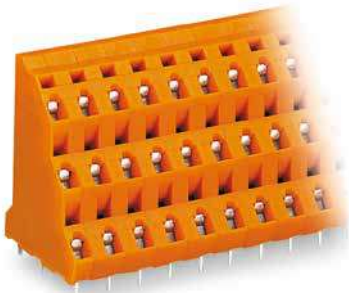
CAGE CLAMP® ▶ Actuation type: Operating tool ▶ 2.5 mm² ▶ Color: orange

Pin spacing: 7.62 mm / 0.3 inch

Solder pin arrangement Within the terminal block (in-line)

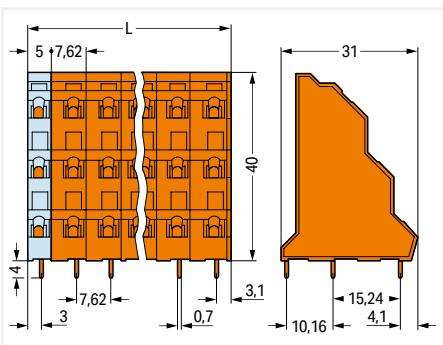
Solder pin arrangement Within the terminal block (staggered)

1

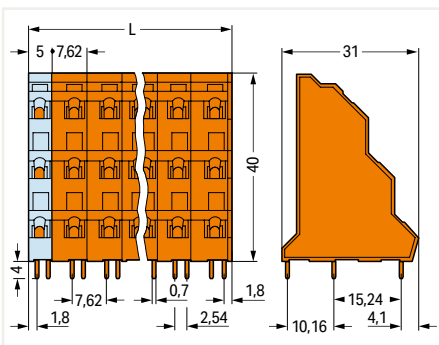


Pole No.	Distribution	Item No.	PU
6	3 x 2	737-602	76
9	3 x 3	737-603	48
12	3 x 4	737-604	36
18	3 x 6	737-606	20
24	3 x 8	737-608	16
36	3 x 12	737-612	8
48	3 x 16	737-616	8

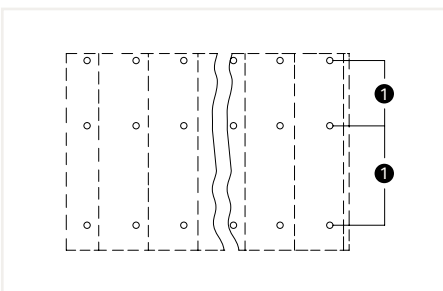
Pole No.	Distribution	Item No.	PU
6	3 x 2	737-652	76
9	3 x 3	737-653	48
12	3 x 4	737-654	36
18	3 x 6	737-656	20
24	3 x 8	737-658	16
36	3 x 12	737-662	8
48	3 x 16	737-666	8



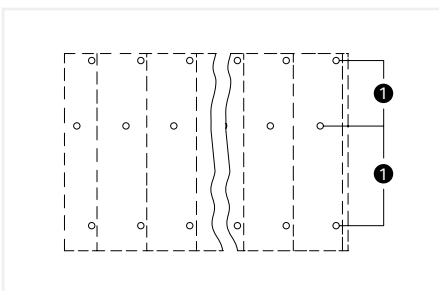
$L = (\text{pole no.} - 1) \times \text{pin spacing} + 5.08 \text{ mm} + 1 \text{ mm}$



$L = (\text{pole no.} - 1) \times \text{pin spacing} + 5.08 \text{ mm} + 1 \text{ mm}$



(1) Solder pins in line



(1) Solder pins for deck 2 staggered by half the pin spacing

PU = Packaging Unit; SPU = Subpackaging Unit; Dimensions in mm

Other versions (or variants) can be requested from WAGO Sales or configured at <https://configurator.wago.com/>.

- Other pole numbers
- Other colors
- Mixed-color PCB connector strips
- Direct marking

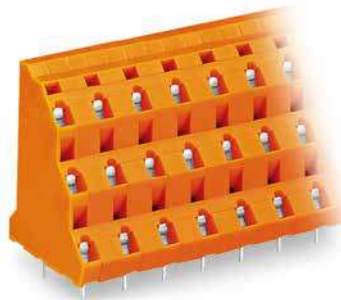
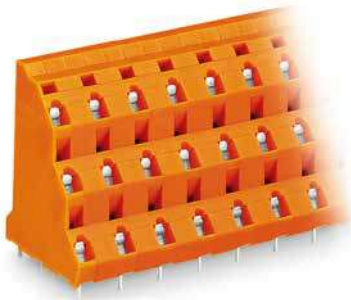
Triple-deck PCB terminal block ▶ 737 Series

CAGE CLAMP® ▶ Actuation type: Operating tool ▶ 2.5 mm² ▶ Color: orange

Pin spacing: 10.16 mm / 0.4 inch

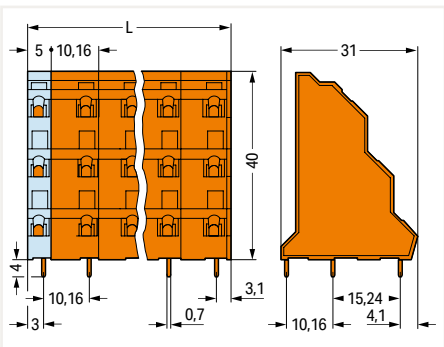
Solder pin arrangement Within the terminal block (in-line)

Solder pin arrangement Within the terminal block (staggered)

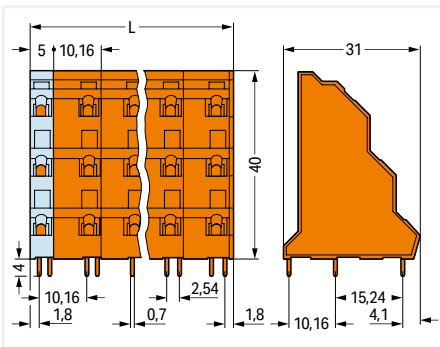


Pole No.	Distribution	Item No.	PU
6	3 x 2	737-802	64
9	3 x 3	737-803	40
12	3 x 4	737-804	28
18	3 x 6	737-806	16
24	3 x 8	737-808	12
36	3 x 12	737-812	8

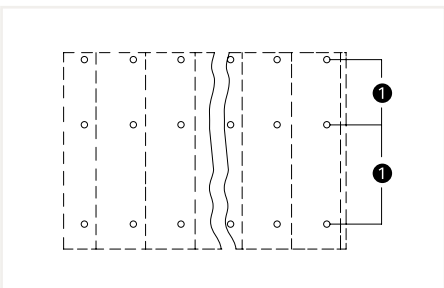
Pole No.	Distribution	Item No.	PU
6	3 x 2	737-852	64
9	3 x 3	737-853	40
12	3 x 4	737-854	28
18	3 x 6	737-856	16
24	3 x 8	737-858	12
36	3 x 12	737-862	8



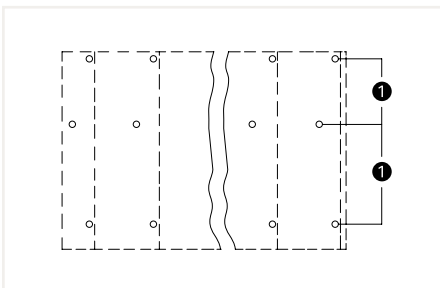
$$L = (\text{pole no.} - 1) \times \text{pin spacing} + 5.08 \text{ mm} + 1 \text{ mm}$$



$$L = (\text{pole no.} - 1) \times \text{pin spacing} + 5.08 \text{ mm} + 1 \text{ mm}$$



(1) Solder pins in line



(1) Solder pins for deck 2 staggered by half the pin spacing

PU = Packaging Unit; SPU = Subpackaging Unit; Dimensions in mm

Other versions (or variants) can be requested from WAGO Sales or configured at <https://configurator.wago.com/>.

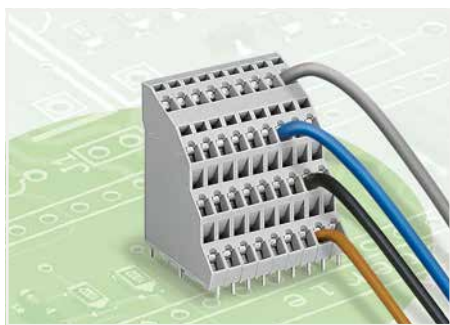
- Other pole numbers
- Other colors
- Mixed-color PCB connector strips
- Direct marking

Quadruple-deck PCB terminal block ▶ 738 Series

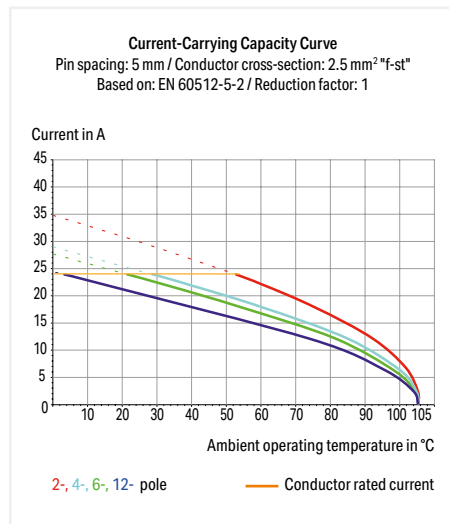
CAGE CLAMP® ▶ Actuation type: Operating tool ▶ 2.5 mm² ▶ Pin spacing: 5 mm / 0.197 inch ▶

Color: gray

1



- PCB terminal strips with screwdriver-actuated CAGE CLAMP® connection
- High-density, quadruple-deck design for space-efficient wiring of multiple conductors in confined areas
- Angled conductor entry and CAGE CLAMP® actuation streamline operation
- Custom marking for all termination levels



Electrical Data			
Pin spacing	5 mm / 0.197 inch		
between the modules			
Ratings per	IEC/EN 60664-1		
Overvoltage category	III	III	II
Pollution degree	3	2	2
Rated voltage	250 V	320 V	630 V
Rated impulse voltage	4 kV	4 kV	4 kV
Rated current	18 A	18 A	18 A
Approbations per	UL 1059		
Use group	B	C	D
Rated voltage	300 V	-	300 V
Rated current	10 A	-	10 A
Approbations per	CSA		
Use group	B	C	D
Rated voltage	300 V	-	300 V
Rated current	10 A	-	10 A

between the decks			
Ratings per	IEC/EN 60664-1		
Overvoltage category	III	III	II
Pollution degree	3	2	2
Rated voltage	320 V	320 V	630 V
Rated impulse voltage	4 kV	4 kV	4 kV
Rated current	18 A	18 A	18 A

Connection Data	
Connection technology	CAGE CLAMP®
Strip length	5 ... 6 mm / 0.2 ... 0.24 inch
Conductor connection direction to PCB	45 °
Solid conductor	0.08 ... 2.5 mm ² / 28 ... 12 AWG
Fine-stranded conductor	0.08 ... 2.5 mm ² / 28 ... 12 AWG
Fine-stranded conductor; with insulated ferrule	0.25 ... 1.5 mm ²
Fine-stranded conductor; with uninsulated ferrule	0.25 ... 2.5 mm ²
Note (conductor cross-section)	12 AWG: THHN, THWN

Material Data	
Material group	I
Insulation material	Polyamide (PA66)
Flammability class per UL94	V0
Clamping spring material	Chrome nickel spring steel (CrNi)
Contact material	Electrolytic copper (E _{Cu})
Contact plating	Tin-plated

Mechanical Data	
Solder pin length	4 mm
Solder pin dimensions	0.7 x 0.7 mm
Drilled hole diameter with tolerance	1.3 ^(+0.1) mm

Environmental Requirements	
Limit temperature range	-60 ... +105 °C

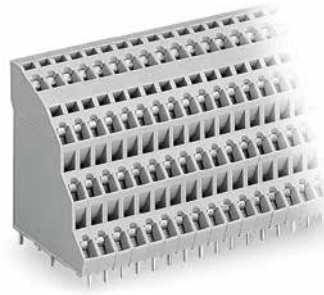
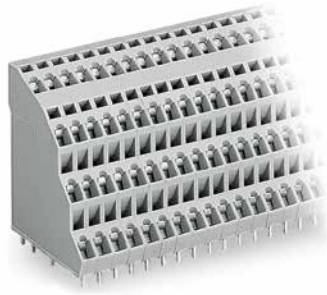
Ferrule	Page 879
Marking	Page 865
Test and measurement	Page 260
Tool	Page 870
Commoning strips	Page 262
See technical section for further information	
For approvals and corresponding ratings, visit www.wago.com	

Quadruple-deck PCB terminal block ▶ 738 Series

CAGE CLAMP® ▶ Actuation type: Operating tool ▶ 2.5 mm² ▶ Pin spacing: 5 mm / 0.197 inch ▶ Color: gray

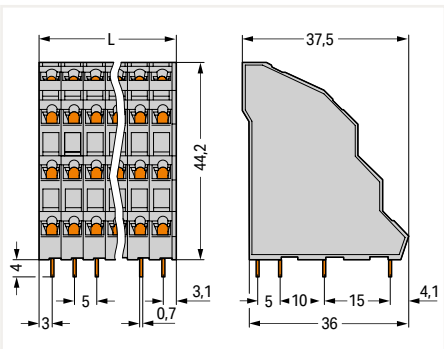
Solder pin arrangement Within the terminal block (in-line)

Solder pin arrangement Within the terminal block (staggered)

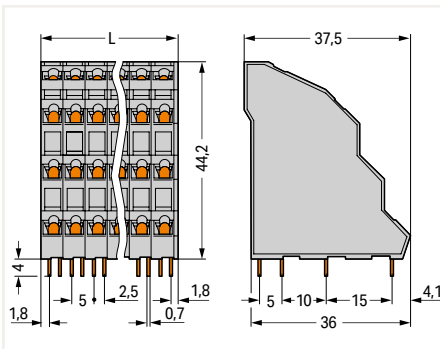


Pole No.	Distribution	Item No.	PU
8	4 x 2	738-102	72
12	4 x 3	738-103	48
16	4 x 4	738-104	36
24	4 x 6	738-106	24
32	4 x 8	738-108	18
48	4 x 12	738-112	12
64	4 x 16	738-116	9
96	4 x 24	738-124	6

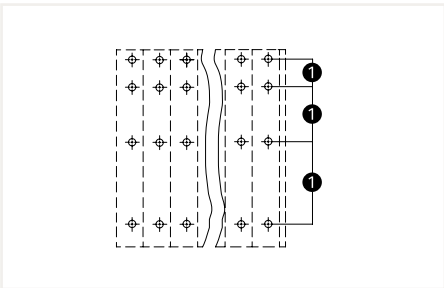
Pole No.	Distribution	Item No.	PU
8	4 x 2	738-202	72
12	4 x 3	738-203	48
16	4 x 4	738-204	36
24	4 x 6	738-206	24
32	4 x 8	738-208	18
48	4 x 12	738-212	12
64	4 x 16	738-216	9
96	4 x 24	738-224	6



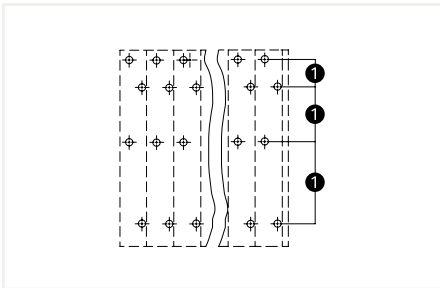
L = (pole no. x pin spacing) + 1 mm



L = (pole no. x pin spacing) + 1 mm



(1) Solder pins in line



(1) Solder pins for deck 2 and 4 staggered by half the pin spacing

PU = Packaging Unit; SPU = Subpackaging Unit; Dimensions in mm

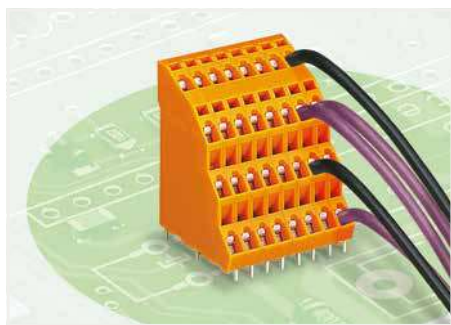
Other versions (or variants) can be requested from WAGO Sales or configured at <https://configurator.wago.com/>.

- Other pole numbers
- Other colors
- Mixed-color PCB connector strips
- Direct marking

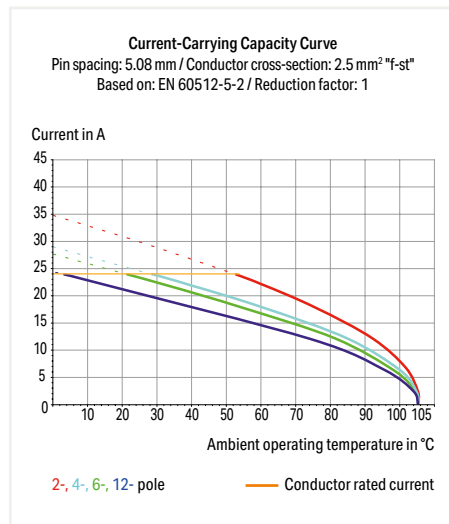
Quadruple-deck PCB terminal block ▶ 738 Series

CAGE CLAMP® ▶ Actuation type: Operating tool ▶ 2.5 mm² ▶ Pin spacing: 5.08 mm / 0.2 inch ▶

Color: orange



- PCB terminal strips with screwdriver-actuated CAGE CLAMP® connection
- High-density, quadruple-deck design for space-efficient wiring of multiple conductors in confined areas
- Angled conductor entry and CAGE CLAMP® actuation streamline operation
- Custom marking for all termination levels



Electrical Data			
Pin spacing	5.08 mm / 0.2 inch		
between the modules			
Ratings per	IEC/EN 60664-1		
Overvoltage category	III	III	II
Pollution degree	3	2	2
Rated voltage	250 V	320 V	630 V
Rated impulse voltage	4 kV	4 kV	4 kV
Rated current	18 A	18 A	18 A
Approbations per	UL 1059		
Use group	B	C	D
Rated voltage	300 V	-	300 V
Rated current	10 A	-	10 A
Approbations per	CSA		
Use group	B	C	D
Rated voltage	300 V	-	300 V
Rated current	10 A	-	10 A

between the decks			
Ratings per	IEC/EN 60664-1		
Overvoltage category	III	III	II
Pollution degree	3	2	2
Rated voltage	320 V	320 V	630 V
Rated impulse voltage	4 kV	4 kV	4 kV
Rated current	18 A	18 A	18 A

Connection Data	
Connection technology	CAGE CLAMP®
Strip length	5 ... 6 mm / 0.2 ... 0.24 inch
Conductor connection direction to PCB	45 °
Solid conductor	0.08 ... 2.5 mm ² / 28 ... 12 AWG
Fine-stranded conductor	0.08 ... 2.5 mm ² / 28 ... 12 AWG
Fine-stranded conductor; with insulated ferrule	0.25 ... 1.5 mm ²
Fine-stranded conductor; with uninsulated ferrule	0.25 ... 2.5 mm ²
Note (conductor cross-section)	12 AWG: THHN, THWN

Material Data	
Material group	I
Insulation material	Polyamide (PA66)
Flammability class per UL94	V0
Clamping spring material	Chrome nickel spring steel (CrNi)
Contact material	Electrolytic copper (E _{cu})
Contact plating	Tin-plated

Mechanical Data	
Solder pin length	4 mm
Solder pin dimensions	0.7 x 0.7 mm
Drilled hole diameter with tolerance	1.3 ^(±0.1) mm

Environmental Requirements	
Limit temperature range	-60 ... +105 °C

Ferrule [Page 879](#)

Marking [Page 865](#)

Test and measurement [Page 260](#)

Tool [Page 870](#)

Commoning strips [Page 262](#)

See technical section for further information

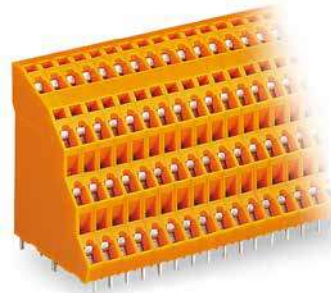
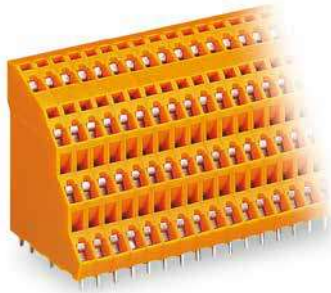
For approvals and corresponding ratings, visit www.wago.com

Quadruple-deck PCB terminal block ▶ 738 Series

CAGE CLAMP® ▶ Actuation type: Operating tool ▶ 2.5 mm² ▶ Pin spacing: 5.08 mm / 0.2 inch ▶ Color: orange

Solder pin arrangement Within the terminal block (in-line)

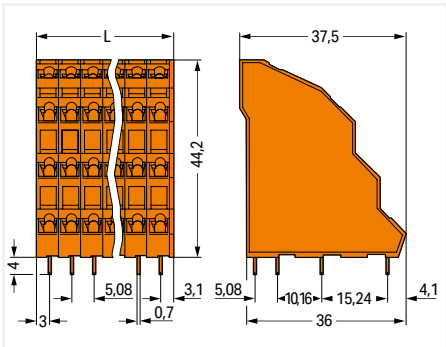
Solder pin arrangement Within the terminal block (staggered)



Pole No.	Distribution	Item No.	PU
8	4 x 2	738-302	69
12	4 x 3	738-303	48
16	4 x 4	738-304	36
24	4 x 6	738-306	24
32	4 x 8	738-308	18
48	4 x 12	738-312	12
64	4 x 16	738-316	9
96	4 x 24	738-324	6

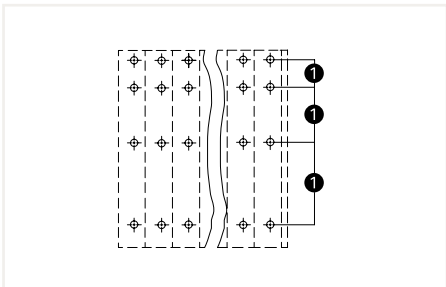
Pole No.	Distribution	Item No.	PU
8	4 x 2	738-402	69
12	4 x 3	738-403	48
16	4 x 4	738-404	36
24	4 x 6	738-406	24
32	4 x 8	738-408	18
48	4 x 12	738-412	12
64	4 x 16	738-416	9
96	4 x 24	738-424	6

Dimensions in mm



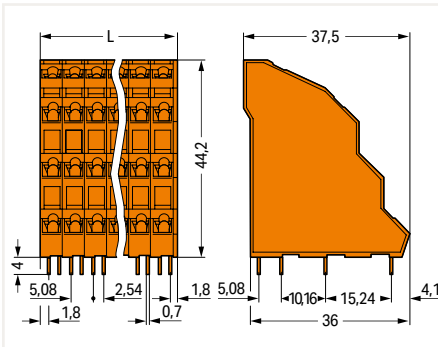
$L = (\text{pole no.} \times \text{pin spacing}) + 1 \text{ mm}$

Dimensions in mm



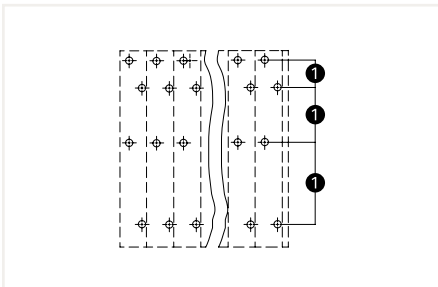
(1) Solder pins in line

Dimensions in mm



$L = (\text{pole no.} \times \text{pin spacing}) + 1 \text{ mm}$

Dimensions in mm



(1) Solder pins for deck 2 and 4 staggered by half the pin spacing

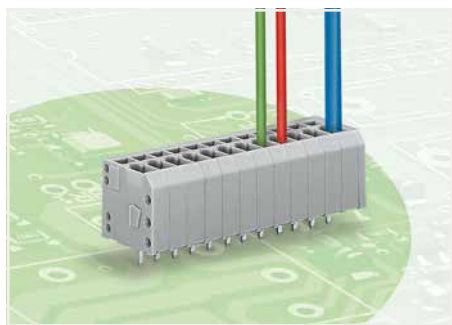
PU = Packaging Unit; SPU = Subpackaging Unit

Other versions (or variants) can be requested from WAGO Sales or configured at <https://configurator.wago.com/>.

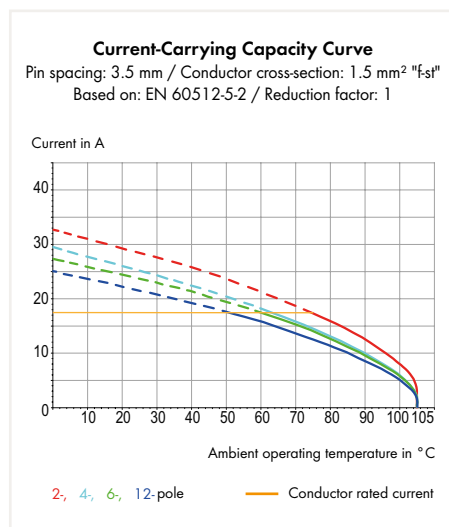
- Other pole numbers
- Other colors
- Mixed-color PCB connector strips
- Direct marking

PCB terminal block ▶ 739 Series**CAGE CLAMP® ▶ Actuation type: Operating tool ▶ 1.5 mm² ▶ Pin spacing: 3.5 mm / 0.138 inch ▶****Color: gray**

1



- PCB terminal strips with screwdriver-actuated CAGE CLAMP® connection
- Vertical conductor entry and operating direction for space-saving positioning/grouping

**Electrical Data**

Pin spacing	3.5 mm / 0.138 inch		
Ratings per	IEC/EN 60664-1		
Overvoltage category	III	III	II
Pollution degree	3	2	2
Rated voltage	160 V	160 V	320 V
Rated impulse voltage	2.5 kV	2.5 kV	2.5 kV
Rated current	17.5 A	17.5 A	17.5 A
Approbations per	UL 1059		
Use group	B	C	D
Rated voltage	300 V	-	300 V
Rated current	15 A	-	10 A

Connection Data

Connection technology	CAGE CLAMP®
Strip length	5 ... 6 mm / 0.2 ... 0.24 inch
Conductor connection direction to PCB	90°
Solid conductor	0.08 ... 1.5 mm ² / 28 ... 14 AWG
Fine-stranded conductor	0.08 ... 1.5 mm ² / 28 ... 14 AWG
Fine-stranded conductor; with insulated ferrule	0.25 ... 1 mm ²
Fine-stranded conductor; with uninsulated ferrule	0.25 ... 1.5 mm ²
Note (conductor cross-section)	14 AWG: THHN, THWN

Material Data

Material group	I
Insulation material	Polyamide (PA66)
Flammability class per UL94	V0
Clamping spring material	Chrome nickel spring steel (CrNi)
Contact material	Electrolytic copper (E _{cu})
Contact plating	Tin-plated

Mechanical Data

Solder pin arrangement	Over the entire terminal strip (in-line)
Solder pin length	3.4 mm
Solder pin dimensions	0.6 x 0.8 mm
Drilled hole diameter with tolerance	1.1 (+0.1) mm

Environmental Requirements

Limit temperature range	-60 ... +105 °C
-------------------------	-----------------

Ferrule Page 879

Marking Page 864

Tool Page 870

See technical section for further information

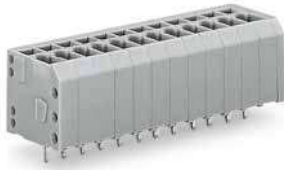
For approvals and corresponding ratings, visit www.wago.com

PCB terminal block ▶ 739 Series

CAGE CLAMP® ▶ Actuation type: Operating tool ▶ 1.5 mm² ▶ Pin spacing: 3.5 mm / 0.138 inch ▶

Color: gray

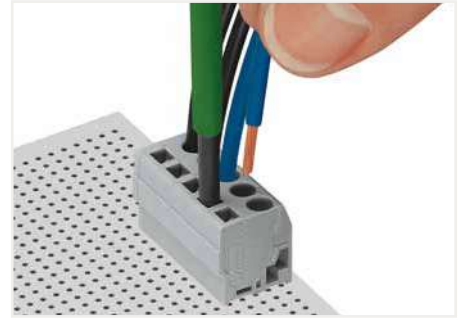
Mounting type: Mounting flange



739-312



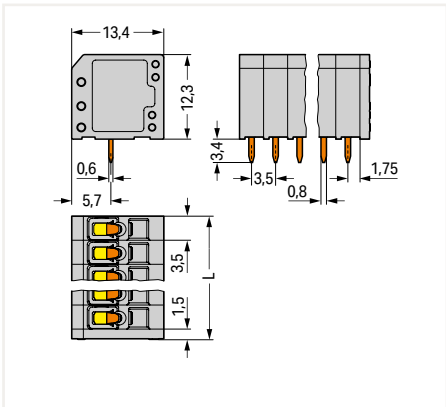
739-306/001-000



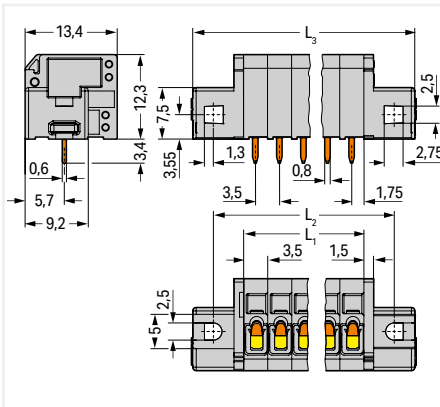
Inserting a conductor parallel to screwdriver actuation – 739 Series.

Pole No.	Item No.	PU (SPU)
2	739-302	560 (140)
3	739-303	400 (100)
4	739-304	300 (75)
5	739-305	240 (60)
6	739-306	200 (50)
7	739-307	180 (45)
8	739-308	160 (40)
9	739-309	140 (35)
10	739-310	120 (30)
12	739-312	100 (25)

Pole No.	Item No.	PU (SPU)
2	739-302/001-000	200 (50)
3	739-303/001-000	180 (45)
4	739-304/001-000	140 (35)
5	739-305/001-000	140 (35)
6	739-306/001-000	120 (30)
7	739-307/001-000	180 (45)
8	739-308/001-000	100 (25)
9	739-309/001-000	80 (20)
10	739-310/001-000	80 (20)
12	739-312/001-000	80 (20)



$L = (\text{pole no.} \times \text{pin spacing}) + 1.5 \text{ mm}$



$L_1 = \text{pole no.} \times \text{pin spacing}$
 $L_2 = L_1 + 8.8 \text{ mm}$
 $L_3 = L_1 + 14.8 \text{ mm}$

PU = Packaging Unit; SPU = Subpackaging Unit; Dimensions in mm

Other versions (or variants) can be requested from WAGO Sales or configured at <https://configurator.wago.com/>.

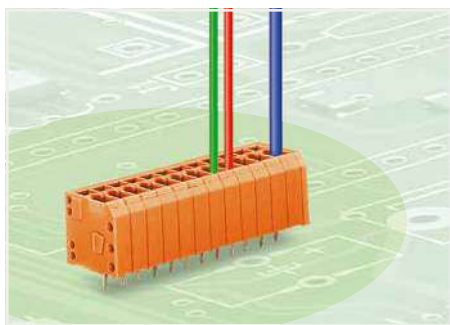
- Other pole numbers
- Other colors
- Mixed-color PCB connector strips
- Direct marking

PCB terminal block ▶ 739 Series

CAGE CLAMP® ▶ Actuation type: Operating tool ▶ 1.5 mm² ▶ Pin spacing: 3.81 mm / 0.15 inch ▶

Color: orange

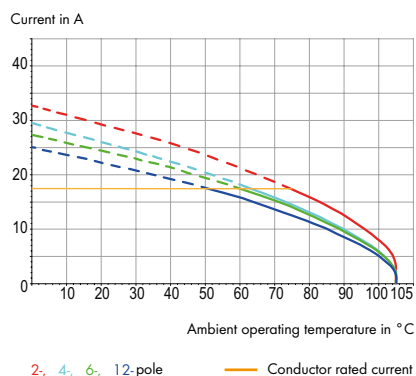
1



- PCB terminal strips with screwdriver-actuated CAGE CLAMP® connection
- Vertical conductor entry and operating direction for space-saving positioning/grouping

Current-Carrying Capacity Curve

Pin spacing: 3.5 mm / Conductor cross-section: 1.5 mm² "fst"
Based on: EN 60512-5-2 / Reduction factor: 1



Electrical Data

Pin spacing	3.81 mm / 0.15 inch		
Ratings per	IEC/EN 60664-1		
Overvoltage category	III	III	II
Pollution degree	3	2	2
Rated voltage	200 V	320 V	500 V
Rated impulse voltage	4 kV	4 kV	4 kV
Rated current	17.5 A	17.5 A	17.5 A
Approbations per	UL 1059		
Use group	B	C	D
Rated voltage	300 V	-	300 V
Rated current	15 A	-	10 A

Connection Data

Connection technology	CAGE CLAMP®
Strip length	5 ... 6 mm / 0.2 ... 0.24 inch
Conductor connection direction to PCB	90°
Solid conductor	0.08 ... 1.5 mm ² / 28 ... 14 AWG
Fine-stranded conductor	0.08 ... 1.5 mm ² / 28 ... 14 AWG
Fine-stranded conductor; with insulated ferrule	0.25 ... 1 mm ²
Fine-stranded conductor; with uninsulated ferrule	0.25 ... 1.5 mm ²
Note (conductor cross-section)	14 AWG: THHN, THWN

Material Data

Material group	I
Insulation material	Polyamide (PA66)
Flammability class per UL94	V0
Clamping spring material	Chrome nickel spring steel (CrNi)
Contact material	Electrolytic copper (E _{cu})
Contact plating	Tin-plated

Mechanical Data

Solder pin arrangement	Over the entire terminal strip (in-line)
Solder pin length	3.4 mm
Solder pin dimensions	0.6 x 0.8 mm
Drilled hole diameter with tolerance	1.1 ^(+0.1) mm

Environmental Requirements

Limit temperature range	-60 ... +105 °C
-------------------------	-----------------

Ferrule Page 879

Marking Page 864

Tool Page 870

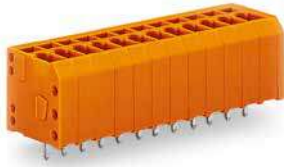
See technical section for further information

For approvals and corresponding ratings, visit www.wago.com

PCB terminal block ▶ 739 Series

CAGE CLAMP® ▶ Actuation type: Operating tool ▶ 1.5 mm² ▶ Pin spacing: 3.81 mm / 0.15 inch ▶ Color: orange

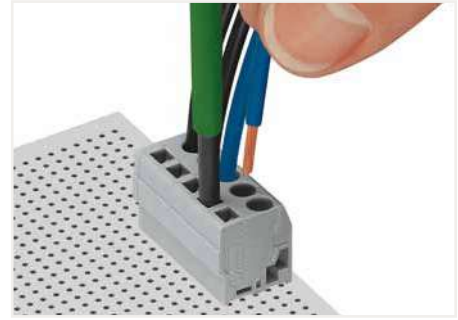
Mounting type: Mounting flange



739-342



739-336/001-000

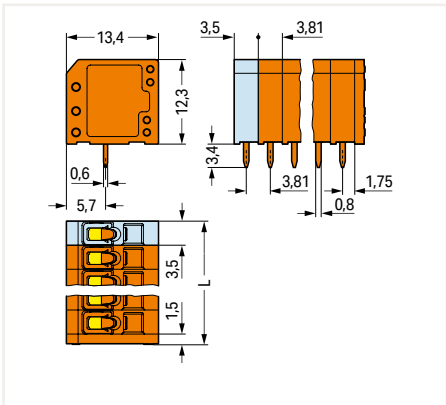


Inserting a conductor parallel to screwdriver actuation – 739 Series.

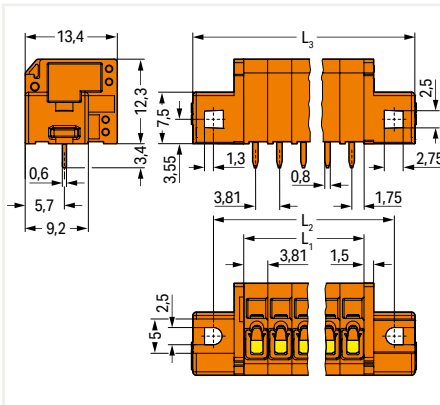
1

Pole No.	Item No.	PU (SPU)
2	739-332	520 (130)
3	739-333	360 (90)
4	739-334	280 (70)
5	739-335	220 (55)
6	739-336	180 (45)
7	739-337	160 (40)
8	739-338	140 (35)
9	739-339	120 (30)
10	739-340	120 (30)
12	739-342	100 (25)

Pole No.	Item No.	PU (SPU)
2	739-332/001-000	200 (50)
3	739-333/001-000	180 (45)
4	739-334/001-000	140 (35)
5	739-335/001-000	140 (35)
6	739-336/001-000	120 (30)
7	739-337/001-000	180 (45)
8	739-338/001-000	100 (25)
9	739-339/001-000	80 (20)
10	739-340/001-000	80 (20)
12	739-342/001-000	60 (15)



$L = (\text{pole no.} \times \text{pin spacing}) + 3.5 \text{ mm} + 1.5 \text{ mm}$



$L_1 = \text{pole no.} \times \text{pin spacing}$
 $L_2 = L_1 + 8.8 \text{ mm}$
 $L_3 = L_1 + 14.8 \text{ mm}$

PU = Packaging Unit; SPU = Subpackaging Unit; Dimensions in mm

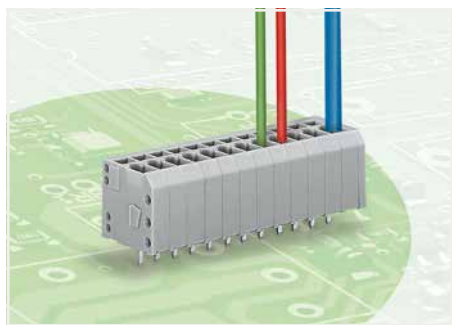
Other versions (or variants) can be requested from WAGO Sales or configured at <https://configurator.wago.com/>.

- Other pole numbers
- Other colors
- Mixed-color PCB connector strips
- Direct marking

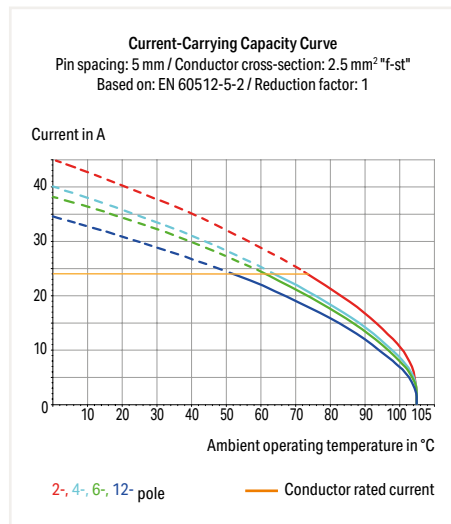
PCB terminal block ▶ 739 Series

CAGE CLAMP® ▶ Actuation type: Operating tool ▶ 2.5 mm² ▶ Pin spacing: 5 mm / 0.197 inch ▶ Color: gray

1



- PCB terminal strips with screwdriver-actuated CAGE CLAMP® connection
- Vertical conductor entry and operating direction for space-saving positioning/grouping



Electrical Data

Pin spacing	5 mm / 0.197 inch		
Ratings per	IEC/EN 60664-1		
Overvoltage category	III	III	II
Pollution degree	3	2	2
Rated voltage	320 V	320 V	630 V
Rated impulse voltage	4 kV	4 kV	4 kV
Rated current	24 A	24 A	24 A
Approbations per	UL 1059		
Use group	B	C	D
Rated voltage	300 V	-	300 V
Rated current	20 A	-	10 A
Approbations per	CSA		
Use group	B	C	D
Rated voltage	300 V	-	300 V
Rated current	12 A	-	10 A

Connection Data

Connection technology	CAGE CLAMP®
Strip length	8 ... 9 mm / 0.31 ... 0.35 inch
Conductor connection direction to PCB	90°
Solid conductor	0.08 ... 2.5 mm ² / 28 ... 14 AWG
Fine-stranded conductor	0.08 ... 2.5 mm ² / 28 ... 12 AWG
Fine-stranded conductor; with insulated ferrule	0.25 ... 1.5 mm ²
Fine-stranded conductor; with uninsulated ferrule	0.25 ... 2.5 mm ²
Note (conductor cross-section)	12 AWG: THHN, THWN

Material Data

Material group	I
Insulation material	Polyamide (PA66)
Flammability class per UL94	V0
Clamping spring material	Chrome nickel spring steel (CrNi)
Contact material	Electrolytic copper (E _{cu})
Contact plating	Tin-plated

Mechanical Data

Solder pin arrangement	Over the entire terminal strip (in-line)
Solder pin length	3.2 mm
Solder pin dimensions	0.8 x 1.2 mm
Drilled hole diameter with tolerance	1.6 ^(+0.1) mm

Environmental Requirements

Limit temperature range	-60 ... +105 °C
-------------------------	-----------------

Ferrule [Page 879](#)

Marking [Page 865](#)

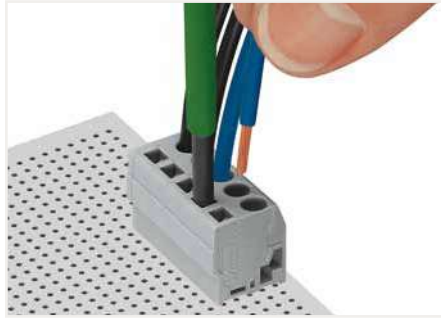
Tool [Page 870](#)

See technical section for further information

For approvals and corresponding ratings, visit www.wago.com

PCB terminal block ▶ 739 Series

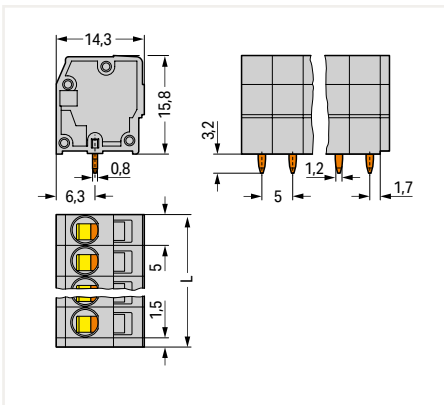
CAGE CLAMP® ▶ Actuation type: Operating tool ▶ 2.5 mm² ▶ Pin spacing: 5 mm / 0.197 inch ▶ Color: gray



739-112

Inserting a conductor parallel to screwdriver actuation – 739 Series.

Pole No.	Item No.	PU (SPU)
2	739-102	400 (100)
3	739-103	280 (70)
4	739-104	220 (55)
5	739-105	180 (45)
6	739-106	140 (35)
7	739-107	120 (30)
8	739-108	100 (25)
9	739-109	100 (25)
10	739-110	80 (20)
12	739-112	60 (15)
16	739-116	40 (10)
24	739-124	20 (5)



$L = (\text{pole no.} - 1) \times \text{pin spacing} + 5 \text{ mm} + 1.5 \text{ mm}$

PU = Packaging Unit; SPU = Subpackaging Unit; Dimensions in mm

Other versions (or variants) can be requested from WAGO Sales or configured at <https://configurator.wago.com/>.

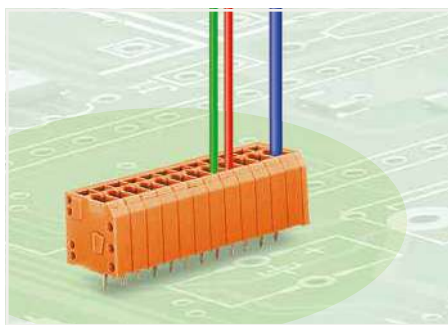
- Other pole numbers
- Other colors
- Mixed-color PCB connector strips
- Direct marking

PCB terminal block ▶ 739 Series

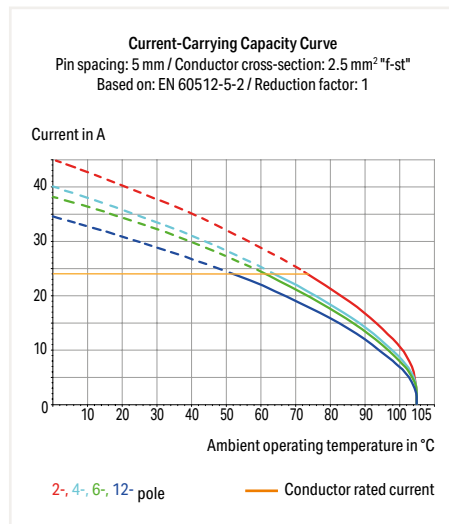
CAGE CLAMP® ▶ Actuation type: Operating tool ▶ 2.5 mm² ▶ Pin spacing: 5.08 mm / 0.2 inch ▶

Color: orange

1



- PCB terminal strips with screwdriver-actuated CAGE CLAMP® connection
- Vertical conductor entry and operating direction for space-saving positioning/grouping



Electrical Data

Pin spacing	5.08 mm / 0.2 inch		
Ratings per	IEC/EN 60664-1		
Overvoltage category	III	III	II
Pollution degree	3	2	2
Rated voltage	320 V	320 V	630 V
Rated impulse voltage	4 kV	4 kV	4 kV
Rated current	24 A	24 A	24 A
Approbations per	UL 1059		
Use group	B	C	D
Rated voltage	300 V	-	300 V
Rated current	20 A	-	10 A
Approbations per	CSA		
Use group	B	C	D
Rated voltage	300 V	-	300 V
Rated current	12 A	-	10 A

Connection Data

Connection technology	CAGE CLAMP®
Strip length	8 ... 9 mm / 0.31 ... 0.35 inch
Conductor connection direction to PCB	90°
Solid conductor	0.08 ... 2.5 mm ² / 28 ... 14 AWG
Fine-stranded conductor	0.08 ... 2.5 mm ² / 28 ... 12 AWG
Fine-stranded conductor; with insulated ferrule	0.25 ... 1.5 mm ²
Fine-stranded conductor; with uninsulated ferrule	0.25 ... 2.5 mm ²
Note (conductor cross-section)	12 AWG: THHN, THWN

Material Data

Material group	I
Insulation material	Polyamide (PA66)
Flammability class per UL94	V0
Clamping spring material	Chrome nickel spring steel (CrNi)
Contact material	Electrolytic copper (E _{cu})
Contact plating	Tin-plated

Mechanical Data

Solder pin arrangement	Over the entire terminal strip (in-line)
Solder pin length	3.2 mm
Solder pin dimensions	0.8 x 1.2 mm
Drilled hole diameter with tolerance	1.6 ^(+0.1) mm

Environmental Requirements

Limit temperature range	-60 ... +105 °C
-------------------------	-----------------

Ferrule [Page 879](#)

Marking [Page 865](#)

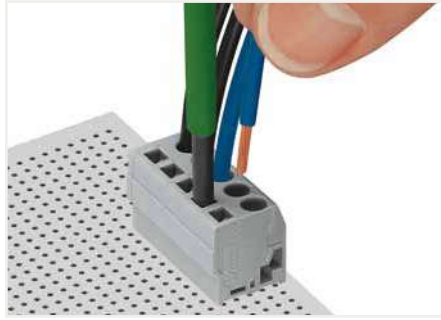
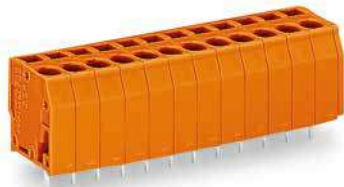
Tool [Page 870](#)

See technical section for further information

For approvals and corresponding ratings, visit www.wago.com

PCB terminal block ▶ 739 Series

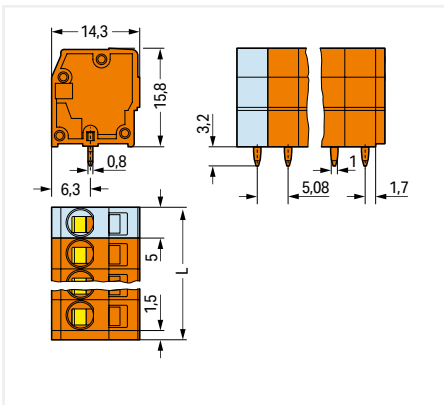
CAGE CLAMP® ▶ Actuation type: Operating tool ▶ 2.5 mm² ▶ Pin spacing: 5.08 mm / 0.2 inch ▶ Color: orange



739-162

Inserting a conductor parallel to screwdriver actuation – 739 Series.

Pole No.	Item No.	PU (SPU)
2	739-152	400 (100)
3	739-153	280 (70)
4	739-154	220 (55)
5	739-155	160 (40)
6	739-156	140 (35)
7	739-157	120 (30)
8	739-158	100 (25)
9	739-159	100 (25)
10	739-160	80 (20)
12	739-162	60 (15)
16	739-166	40 (10)
24	739-174	20 (5)



$L = (\text{pole no.} - 1) \times \text{pin spacing} + 5 \text{ mm} + 1.5 \text{ mm}$

PU = Packaging Unit; SPU = Subpackaging Unit; Dimensions in mm

Other versions (or variants) can be requested from WAGO Sales or configured at <https://configurator.wago.com/>.

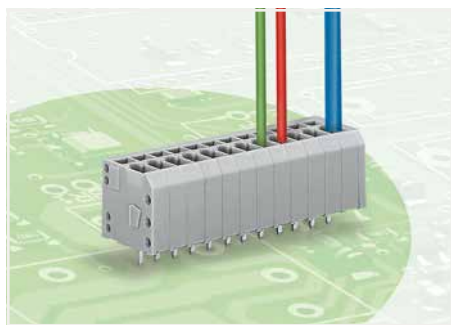
- Other pole numbers
- Other colors
- Mixed-color PCB connector strips
- Direct marking

PCB terminal block ▶ 739 Series

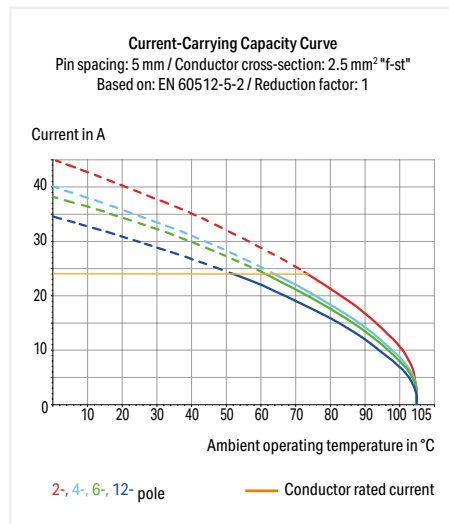
CAGE CLAMP® ▶ Actuation type: Operating tool ▶ 2.5 mm² ▶ Pin spacing: 7.5 mm / 0.295 inch ▶

Color: gray

1



- PCB terminal strips with screwdriver-actuated CAGE CLAMP® connection
- Vertical conductor entry and operating direction for space-saving positioning/grouping



Electrical Data

Pin spacing	7.5 mm / 0.295 inch		
Ratings per	IEC/EN 60664-1		
Overvoltage category	III	III	II
Pollution degree	3	2	2
Rated voltage	500 V	630 V	1000 V
Rated impulse voltage	6 kV	6 kV	6 kV
Rated current	24 A	24 A	24 A
Approbations per	UL 1059		
Use group	B	C	D
Rated voltage	300 V	-	300 V
Rated current	20 A	-	10 A
Approbations per	CSA		
Use group	B	C	D
Rated voltage	300 V	-	300 V
Rated current	8 A	-	8 A

Connection Data

Connection technology	CAGE CLAMP®
Strip length	8 ... 9 mm / 0.31 ... 0.35 inch
Conductor connection direction to PCB	90°
Solid conductor	0.08 ... 2.5 mm ² / 28 ... 12 AWG
Fine-stranded conductor	0.08 ... 2.5 mm ² / 28 ... 12 AWG
Fine-stranded conductor; with insulated ferrule	0.25 ... 1.5 mm ²
Fine-stranded conductor; with uninsulated ferrule	0.25 ... 2.5 mm ²
Note (conductor cross-section)	12 AWG: THHN, THWN

Material Data

Material group	I
Insulation material	Polyamide (PA66)
Flammability class per UL94	V0
Clamping spring material	Chrome nickel spring steel (CrNi)
Contact material	Electrolytic copper (E _{cu})
Contact plating	Tin-plated

Mechanical Data

Solder pin arrangement	Over the entire terminal strip (in-line)
Solder pin length	3.2 mm
Solder pin dimensions	0.8 x 1.2 mm
Drilled hole diameter with tolerance	1.6 ^(+0.1) mm

Environmental Requirements

Limit temperature range	-60 ... +105 °C
-------------------------	-----------------

Ferrule Page 879

Marking Page 865

Tool Page 870

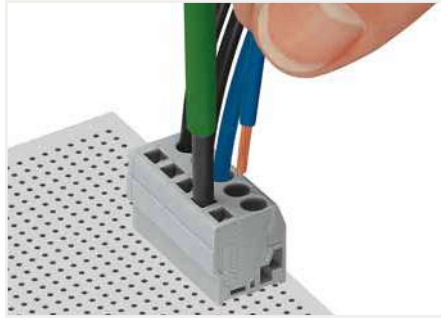
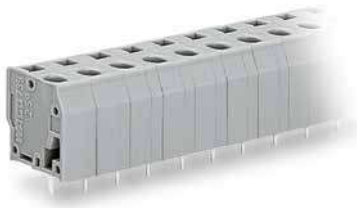
See technical section for further information

For approvals and corresponding ratings, visit www.wago.com

PCB terminal block ▶ 739 Series

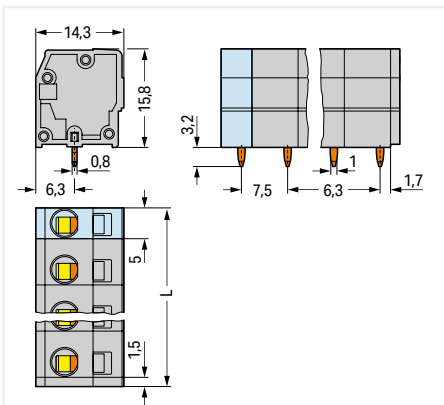
CAGE CLAMP® ▶ Actuation type: Operating tool ▶ 2.5 mm² ▶ Pin spacing: 7.5 mm / 0.295 inch ▶ Color: gray

1



Inserting a conductor parallel to screwdriver actuation – 739 Series.

Pole No.	Item No.	PU (SPU)
2	739-202	340 (85)
3	739-203	220 (55)
4	739-204	160 (40)
5	739-205	120 (30)
6	739-206	100 (25)
7	739-207	80 (20)
8	739-208	80 (20)
9	739-209	60 (15)
10	739-210	60 (15)
12	739-212	40 (10)



$L = (\text{pole no.} - 1) \times \text{pin spacing} + 5 \text{ mm} + 1.5 \text{ mm}$

PU = Packaging Unit; SPU = Subpackaging Unit; Dimensions in mm

Other versions (or variants) can be requested from WAGO Sales or configured at <https://configurator.wago.com/>.

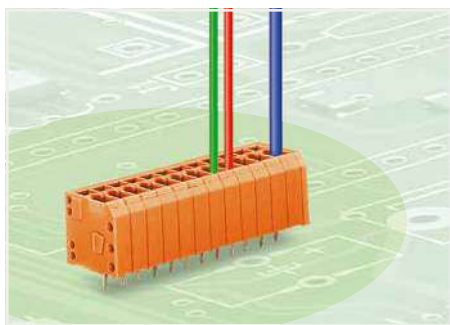
- Other pole numbers
- Other colors
- Mixed-color PCB connector strips
- Direct marking

PCB terminal block ▶ 739 Series

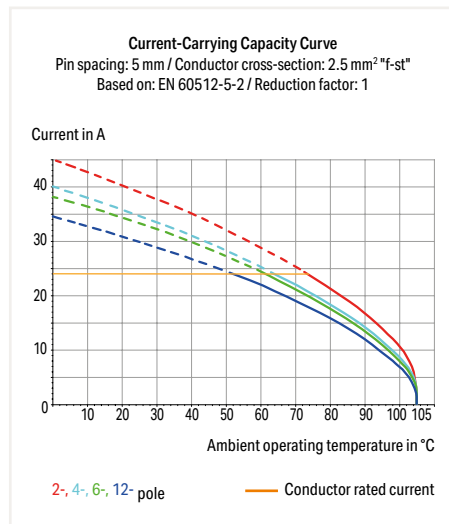
CAGE CLAMP® ▶ Actuation type: Operating tool ▶ 2.5 mm² ▶ Pin spacing: 7.62 mm / 0.3 inch ▶

Color: orange

1



- PCB terminal strips with screwdriver-actuated CAGE CLAMP® connection
- Vertical conductor entry and operating direction for space-saving positioning/grouping



Electrical Data

Pin spacing	7.62 mm / 0.3 inch		
Ratings per	IEC/EN 60664-1		
Overvoltage category	III	III	II
Pollution degree	3	2	2
Rated voltage	500 V	630 V	1000 V
Rated impulse voltage	6 kV	6 kV	6 kV
Rated current	24 A	24 A	24 A
Approbations per	UL 1059		
Use group	B	C	D
Rated voltage	300 V	-	300 V
Rated current	20 A	-	10 A
Approbations per	CSA		
Use group	B	C	D
Rated voltage	300 V	-	300 V
Rated current	8 A	-	8 A

Connection Data

Connection technology	CAGE CLAMP®
Strip length	8 ... 9 mm / 0.31 ... 0.35 inch
Conductor connection direction to PCB	90°
Solid conductor	0.08 ... 2.5 mm ² / 28 ... 12 AWG
Fine-stranded conductor	0.08 ... 2.5 mm ² / 28 ... 12 AWG
Fine-stranded conductor; with insulated ferrule	0.25 ... 1.5 mm ²
Fine-stranded conductor; with uninsulated ferrule	0.25 ... 2.5 mm ²
Note (conductor cross-section)	12 AWG: THHN, THWN

Material Data

Material group	I
Insulation material	Polyamide (PA66)
Flammability class per UL94	V0
Clamping spring material	Chrome nickel spring steel (CrNi)
Contact material	Electrolytic copper (E _{cu})
Contact plating	Tin-plated

Mechanical Data

Solder pin arrangement	Over the entire terminal strip (in-line)
Solder pin length	3.2 mm
Solder pin dimensions	0.8 x 1.2 mm
Drilled hole diameter with tolerance	1.6 ^(+0.1) mm

Environmental Requirements

Limit temperature range	-60 ... +105 °C
-------------------------	-----------------

Ferrule [Page 879](#)

Marking [Page 865](#)

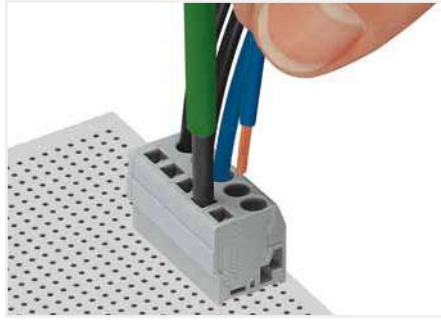
Tool [Page 870](#)

See technical section for further information

For approvals and corresponding ratings, visit www.wago.com

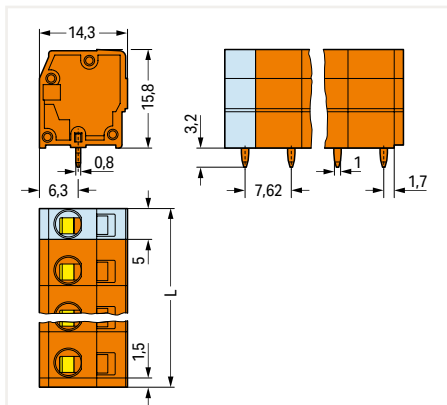
PCB terminal block ▶ 739 Series

CAGE CLAMP® ▶ Actuation type: Operating tool ▶ 2.5 mm² ▶ Pin spacing: 7.62 mm / 0.3 inch ▶ Color: orange



Inserting a conductor parallel to screwdriver actuation – 739 Series.

Pole No.	Item No.	PU (SPU)
2	739-232	320 (80)
3	739-233	220 (55)
4	739-234	160 (40)
5	739-235	120 (30)
6	739-236	100 (25)
7	739-237	80 (20)
8	739-238	80 (20)
9	739-239	60 (15)
10	739-240	60 (15)
12	739-242	40 (10)



$L = (\text{pole no.} - 1) \times \text{pin spacing} + 5 \text{ mm} + 1.5 \text{ mm}$

PU = Packaging Unit; SPU = Subpackaging Unit; Dimensions in mm

Other versions (or variants) can be requested from WAGO Sales or configured at <https://configurator.wago.com/>.

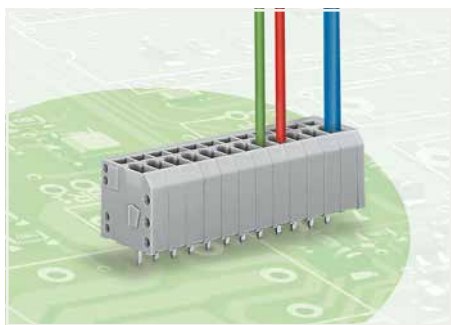
- Other pole numbers
- Other colors
- Mixed-color PCB connector strips
- Direct marking

PCB terminal block ▶ 739 Series

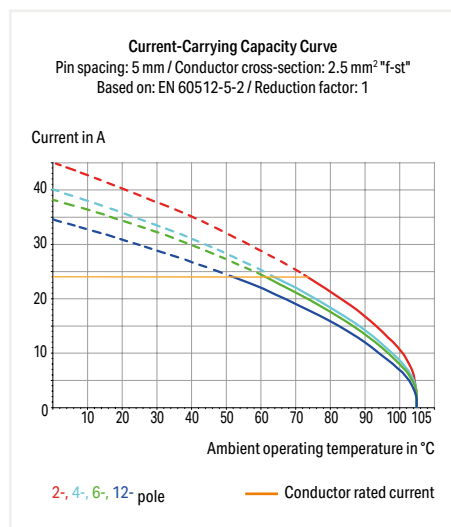
CAGE CLAMP® ▶ Actuation type: Operating tool ▶ 2.5 mm² ▶ Pin spacing: 10 mm / 0.394 inch ▶

Color: gray

1



- PCB terminal strips with screwdriver-actuated CAGE CLAMP® connection
- Vertical conductor entry and operating direction for space-saving positioning/grouping



Electrical Data

Pin spacing	10 mm / 0.394 inch		
Ratings per	IEC/EN 60664-1		
Overvoltage category	III	III	II
Pollution degree	3	2	2
Rated voltage	1000 V	1000 V	1000 V
Rated impulse voltage	8 kV	8 kV	8 kV
Rated current	24 A	24 A	24 A
Approbations per	UL 1059		
Use group	B	C	D
Rated voltage	300 V	300 V	600 V
Rated current	20 A	12 A	5 A
Approbations per	CSA		
Use group	B	C	D
Rated voltage	300 V	300 V	600 V
Rated current	12 A	12 A	5 A

Connection Data

Connection technology	CAGE CLAMP®
Strip length	8 ... 9 mm / 0.31 ... 0.35 inch
Conductor connection direction to PCB	90°
Solid conductor	0.08 ... 2.5 mm ² / 28 ... 12 AWG
Fine-stranded conductor	0.08 ... 2.5 mm ² / 28 ... 12 AWG
Fine-stranded conductor; with insulated ferrule	0.25 ... 1.5 mm ²
Fine-stranded conductor; with uninsulated ferrule	0.25 ... 2.5 mm ²
Note (conductor cross-section)	12 AWG: THHN, THWN

Material Data

Material group	I
Insulation material	Polyamide (PA66)
Flammability class per UL94	V0
Clamping spring material	Chrome nickel spring steel (CrNi)
Contact material	Electrolytic copper (E _{cu})
Contact plating	Tin-plated

Mechanical Data

Solder pin arrangement	Over the entire terminal strip (in-line)
Solder pin length	3.2 mm
Solder pin dimensions	0.8 x 1 mm
Drilled hole diameter with tolerance	1.6 ^(+0.1) mm

Environmental Requirements

Limit temperature range	-60 ... +105 °C
-------------------------	-----------------

Ferrule [Page 879](#)

Marking [Page 866](#)

Tool [Page 870](#)

See technical section for further information

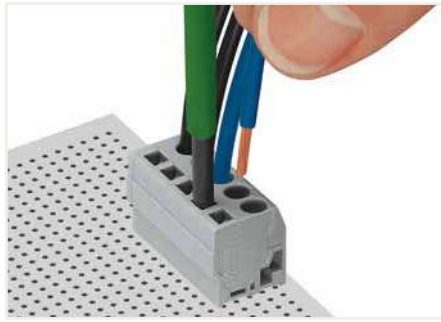
For approvals and corresponding ratings, visit www.wago.com

PCB terminal block ▶ 739 Series

CAGE CLAMP® ▶ Actuation type: Operating tool ▶ 2.5 mm² ▶ Pin spacing: 10 mm / 0.394 inch ▶ Color: gray

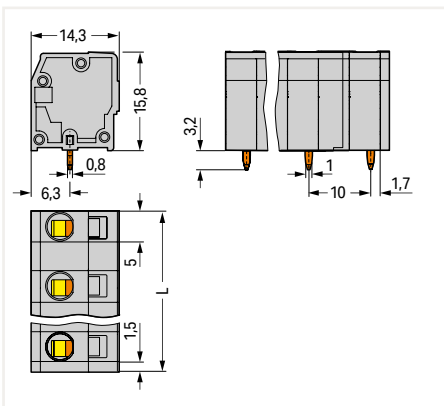


739-3205



Inserting a conductor parallel to screwdriver actuation – 739 Series.

Pole No.	Item No.	PU (SPU)
2	739-3202	280 (70)
3	739-3203	180 (45)
4	739-3204	120 (30)
9	739-3205	100 (25)
10	739-3210	40 (10)
11	739-3206	80 (20)
12	739-3212	40 (10)
13	739-3207	60 (15)
15	739-3208	60 (15)
17	739-3209	40 (10)



$L = (\text{pole no.} - 1) \times \text{pin spacing} + 5 \text{ mm} + 1.5 \text{ mm}$

PU = Packaging Unit; SPU = Subpackaging Unit; Dimensions in mm

Other versions (or variants) can be requested from WAGO Sales or configured at <https://configurator.wago.com/>.

- Other pole numbers
- Other colors
- Mixed-color PCB connector strips
- Direct marking

PCB terminal block ▶ 740 Series

CAGE CLAMP® ▶ Actuation type: Operating tool ▶ 2.5 mm² ▶ Pin spacing: 5 mm / 0.197 inch ▶ Color: gray

1



- PCB terminal strips with screwdriver-actuated CAGE CLAMP® connection
- Top-of-unit actuation
- Pin and dimensions compatible with screw-type terminal blocks of a similar design
- PCB terminal strips may be positioned adjacently without losing any poles

Electrical Data			
Pin spacing	5 mm / 0.197 inch		
Ratings per	IEC/EN 60664-1		
Overvoltage category	III	III	II
Pollution degree	3	2	2
Rated voltage	300 V	320 V	630 V
Rated impulse voltage	4 kV	4 kV	4 kV
Rated current	16 A	16 A	16 A
Approbations per	UL 1059		
Use group	B	C	D
Rated voltage	300 V	-	300 V
Rated current	10 A	-	10 A
Approbations per	CSA		
Use group	B	C	D
Rated voltage	300 V	-	300 V
Rated current	16 A	-	10 A
Connection Data			
Connection technology	CAGE CLAMP®		
Strip length	6 ... 7 mm / 0.24 ... 0.28 inch		
Conductor connection direction to PCB	0°		
Solid conductor	0.08 ... 2.5 mm ² / 28 ... 12 AWG		
Fine-stranded conductor	0.08 ... 2.5 mm ² / 28 ... 12 AWG		
Fine-stranded conductor; with insulated ferrule	0.25 ... 1.5 mm ²		
Fine-stranded conductor; with uninsulated ferrule	0.25 ... 1.5 mm ²		
Note (conductor cross-section)	12 AWG: THHN, THWN		
Material Data			
Material group	I		
Insulation material	Polyamide (PA66)		
Flammability class per UL94	V0		
Clamping spring material	Chrome nickel spring steel (CrNi)		
Contact material	Electrolytic copper (E _{cu})		
Contact plating	Tin-plated		
Mechanical Data			
Solder pin arrangement	Over the entire terminal strip (in-line)		
Solder pin length	5.1 mm		
Solder pin dimensions	0.8 x 1 mm		
Drilled hole diameter with tolerance	1.3 ^(±0.1) mm		
Environmental Requirements			
Limit temperature range	-60 ... +105 °C		

Ferrule Page 879

Marking Page 865

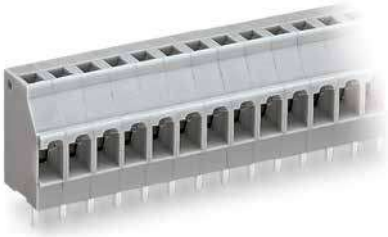
Tool Page 870

See technical section for further information

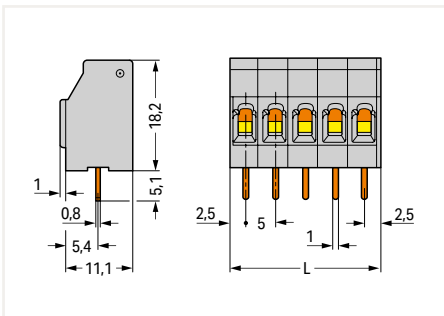
For approvals and corresponding ratings, visit www.wago.com

PCB terminal block ▶ 740 Series

CAGE CLAMP® ▶ Actuation type: Operating tool ▶ 2.5 mm² ▶ Pin spacing: 5 mm / 0.197 inch ▶ Color: gray



Pole No.	Item No.	PU (SPU)
2	740-102	460 (115)
3	740-103	300 (75)
4	740-104	240 (60)
5	740-105	180 (45)
6	740-106	140 (35)
7	740-107	120 (30)
8	740-108	100 (25)
9	740-109	100 (25)
10	740-110	80 (20)
12	740-112	60 (15)
16	740-116	60 (15)
24	740-124	40 (10)



L = pole no. x pin spacing

PU = Packaging Unit; SPU = Subpackaging Unit; Dimensions in mm

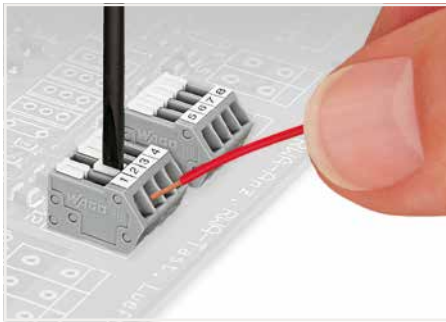
Other versions (or variants) can be requested from WAGO Sales or configured at <https://configurator.wago.com/>.

- Other pole numbers
- Other colors
- Mixed-color PCB connector strips
- Direct marking

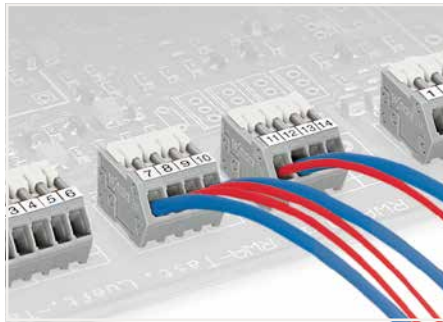
218 Series

Description and Installation

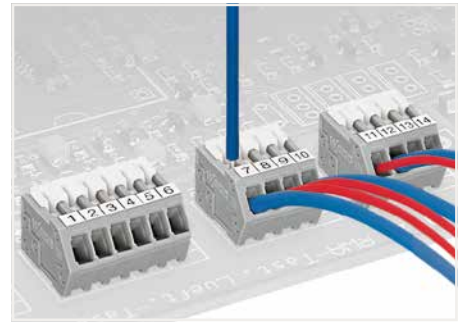
1



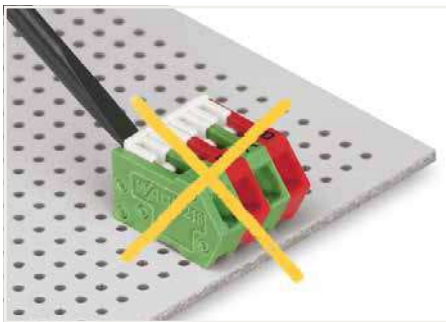
Terminating stranded conductors in confined spaces requires a great deal of patience, unless you use the new 218 Series PCB Terminal Strips. The clamping units of these strips can be held open during termination process via integrated locking slide.



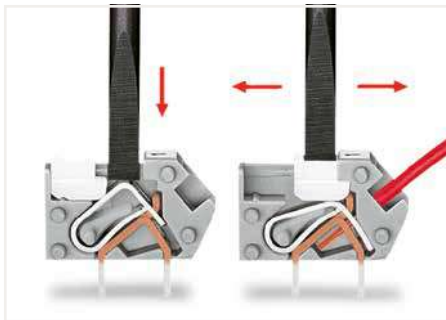
Terminating 0.75 mm² (18 AWG) conductors is possible; however, insulation diameter allows only every other clamping unit to be terminated with this conductor size.



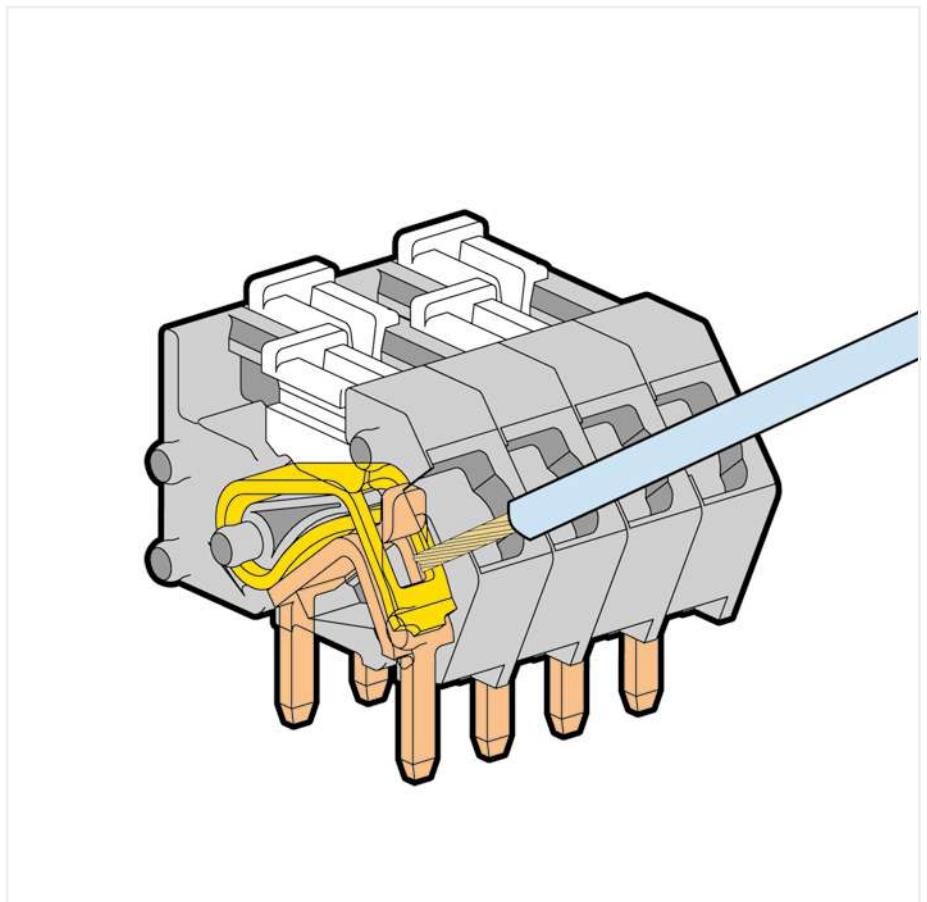
Testing directly on the clamping spring.



Incorrect – do not operate the locking slides from the back.



Conductor termination: To momentarily open the clamping unit, use screwdriver and then insert a stripped conductor. To open clamping unit for an extended period, move locking slide toward conductor entry hole. Then fully insert stripped conductor and move locking slide back to original position (also possible to perform with fingernail).



218 Series



Insulating housings are available in different colors.



Labeling with self-adhesive marking strips.



Labeling via factory direct marking.

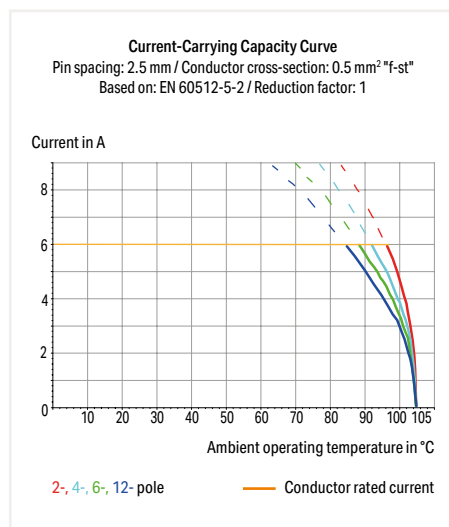
PCB terminal block ▶ 218 Series

CAGE CLAMP® ▶ Actuation type: Slider ▶ 0.5 mm² ▶ Color: gray

1



- Terminal strips are just 8.1 mm tall and feature an innovative, locking slide-actuated CAGE CLAMP®
- Several clamping units can be held open simultaneously
- Easily terminate stranded conductors in tight spaces (e.g., bus connectors)

**Electrical Data**

Pin spacing	2.54 mm / 0.1 inch; 2.5 mm / 0.098 inch		
Ratings per	IEC/EN 60664-1		
Overvoltage category	III	III	II
Pollution degree	3	2	2
Rated voltage	80 V	160 V	320 V
Rated impulse voltage	2.5 kV	2.5 kV	2.5 kV
Rated current	6 A	6 A	6 A
Approbations per	UL 1059		
Use group	B	C	D
Rated voltage	150 V	-	-
Rated current	4 A	-	-
Approbations per	CSA		
Use group	B	C	D
Rated voltage	150 V	-	-
Rated current	4 A	-	-

Connection Data

Connection technology	CAGE CLAMP®
Strip length	5 ... 6 mm / 0.2 ... 0.24 inch
Conductor connection direction to PCB	40°
Solid conductor	0.08 ... 0.5 mm ² / 28 ... 20 AWG
Fine-stranded conductor	0.08 ... 0.5 mm ² / 28 ... 20 AWG
Fine-stranded conductor; with insulated ferrule	0.25 mm ²
Fine-stranded conductor; with uninsulated ferrule	0.25 mm ²
Note (conductor cross-section)	Terminating 0.75 mm ² /18 AWG conductors is possible; however insulation diameter allows only every other clamping unit to be terminated with this conductor size.

Material Data

Material group	I
Insulation material	Polyamide (PA66)
Flammability class per UL94	V0
Clamping spring material	Chrome nickel spring steel (CrNi)
Contact material	Electrolytic copper (E _{cu})
Contact plating	Tin-plated

Mechanical Data

Solder pin arrangement	Over the entire terminal strip (in-line)
Solder pin length	2.8 mm
Solder pin dimensions	0.5 x 0.75 mm
Drilled hole diameter with tolerance	1.1 (+0.1) mm

Environmental Requirements

Limit temperature range	-60 ... +105 °C
--------------------------------	-----------------

Ferrule	Page 879
---------	----------

Marking	Page 864
---------	----------

Test and measurement	Page 886
----------------------	----------

Tool	Page 870
------	----------

See technical section for further information

For approvals and corresponding ratings, visit www.wago.com

PCB terminal block ▶ 218 Series

CAGE CLAMP® ▶ Actuation type: Slider ▶ 0.5 mm² ▶ Color: gray

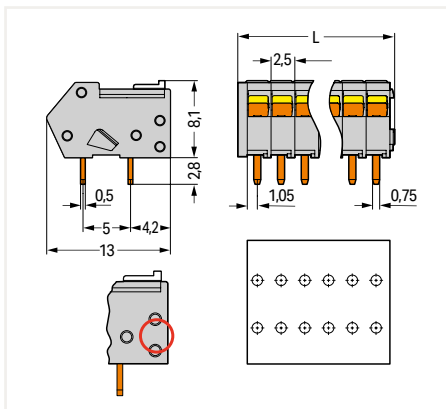
Pin spacing: 2.5 mm / 0.098 inch

Pin spacing: 2.54 mm / 0.1 inch

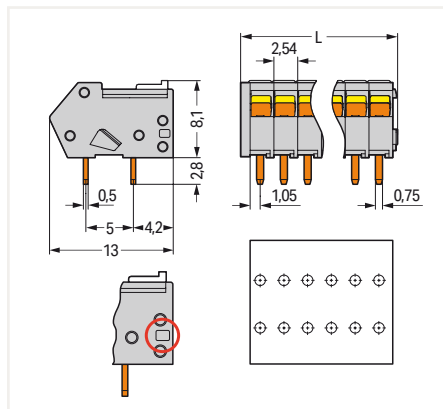


1

Pole No.	Item No.	PU (SPU)	Pole No.	Item No.	PU (SPU)
2	218-102	1000 (100)	2	218-502	1000 (100)
3	218-103	1000 (100)	3	218-503	1000 (100)
4	218-104	500 (100)	4	218-504	500 (100)
5	218-105	500 (100)	5	218-505	500 (100)
6	218-106	280 (70)	6	218-506	280 (70)
7	218-107	240 (60)	7	218-507	240 (60)
8	218-108	220 (55)	8	218-508	220 (55)
9	218-109	200 (50)	9	218-509	180 (45)
10	218-110	180 (45)	10	218-510	160 (40)
11	218-111	160 (40)	11	218-511	160 (40)
12	218-112	140 (35)	12	218-512	140 (35)
13	218-113	140 (35)	13	218-513	140 (35)
14	218-114	120 (30)	14	218-514	120 (30)
15	218-115	120 (30)	15	218-515	120 (30)
16	218-116	100 (25)	16	218-516	100 (25)
17	218-117	100 (25)	17	218-517	100 (25)
18	218-118	100 (25)	18	218-518	100 (25)
19	218-119	80 (20)	19	218-519	80 (20)
20	218-120	80 (20)	20	218-520	80 (20)
21	218-121	80 (20)	21	218-521	80 (20)
22	218-122	80 (20)	22	218-522	80 (20)
23	218-123	80 (20)	23	218-523	80 (20)
24	218-124	60 (15)	24	218-524	60 (15)



L = (pole no. x pin spacing) + 1.5 mm



L = (pole no. x pin spacing) + 1.5 mm
 A groove at the back of the terminal strip indicates the 2.54 mm pin spacing (red circle).

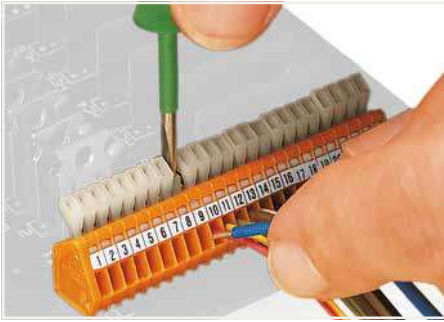
PU = Packaging Unit; SPU = Subpackaging Unit; Dimensions in mm

Other versions (or variants) can be requested from WAGO Sales or configured at <https://configurator.wago.com/>.

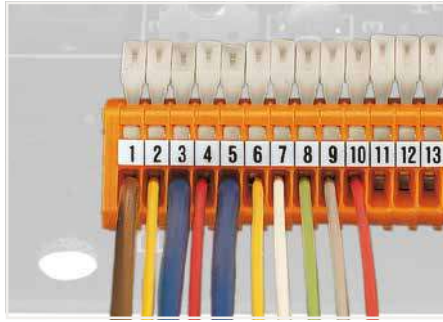
- Other pole numbers
- Other colors
- Mixed-color PCB connector strips
- Direct marking

233 and 234 Series Description and Installation

1



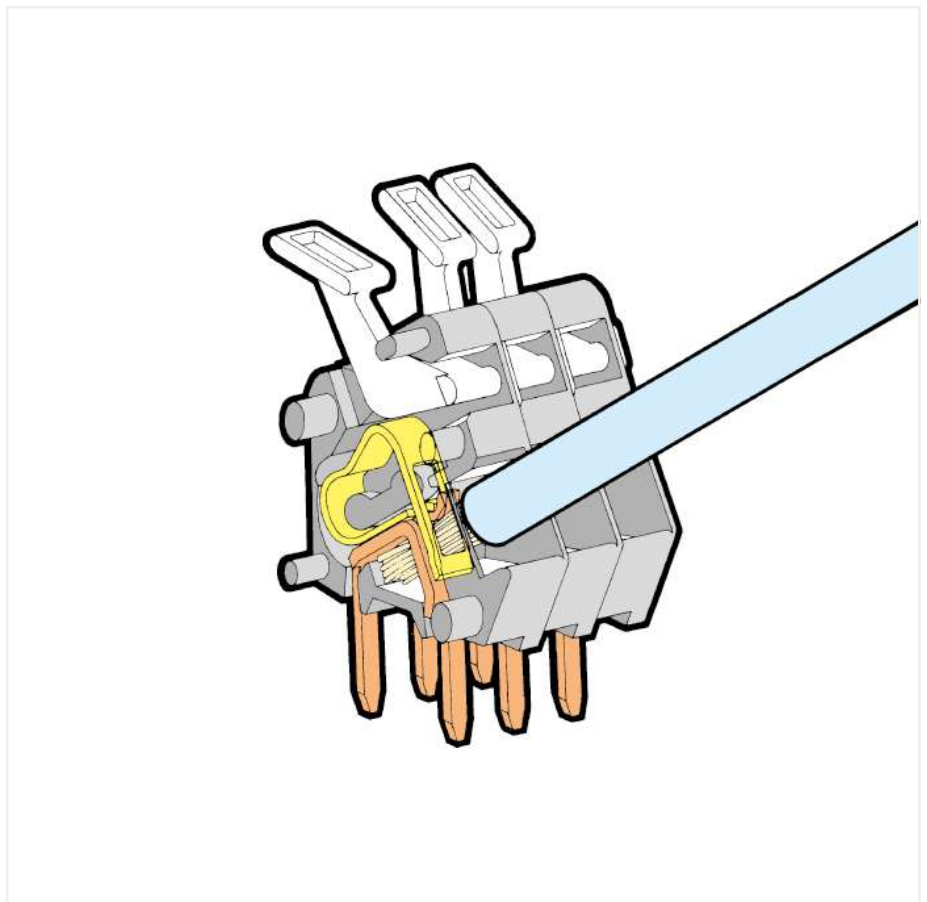
Inserting/removing a conductor.



Nominal cross-section: 0.5 mm² (20 AWG);
0.75 mm² (18 AWG) only in every other position



Labeling via factory direct marking or self-adhesive marking strips.



233 Series

234 Series Description and Installation



Inserting/removing a conductor.

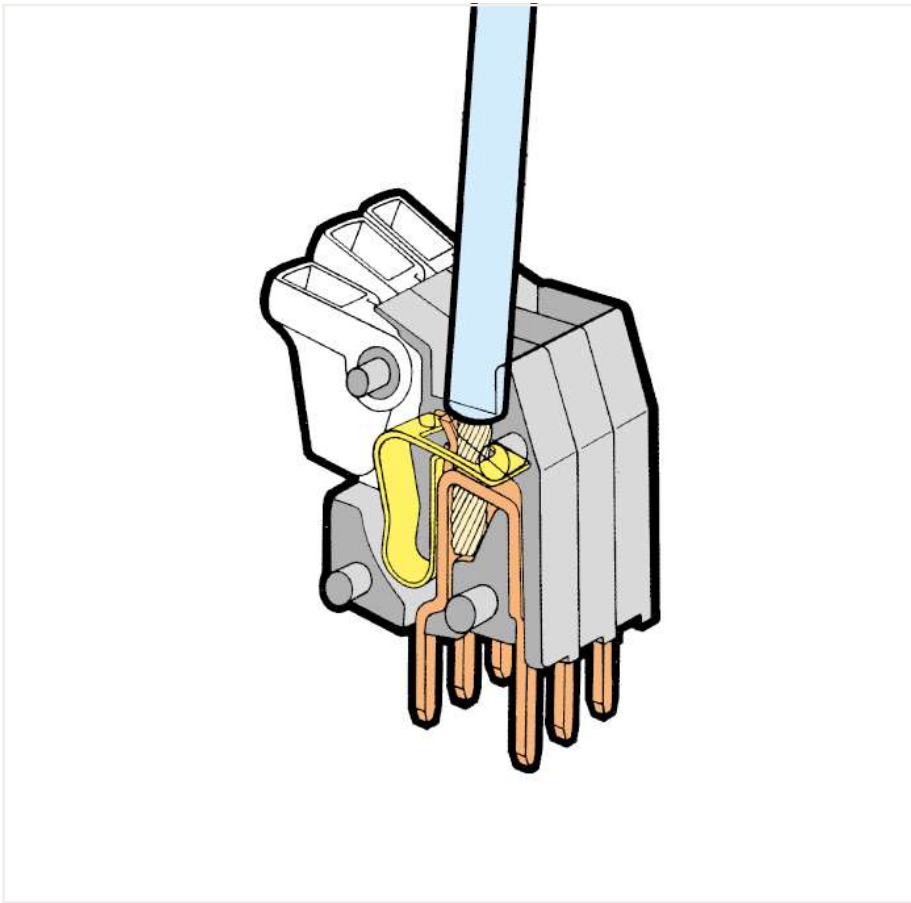


Nominal cross-section: 0.5 mm² (20 AWG);
0.75 mm² (18 AWG) only in every other position

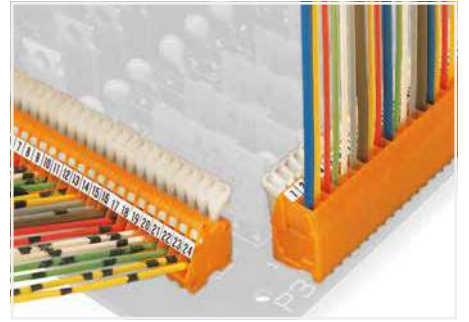


Labeling via self-adhesive marking strips or factory direct marking.

1



234 Series



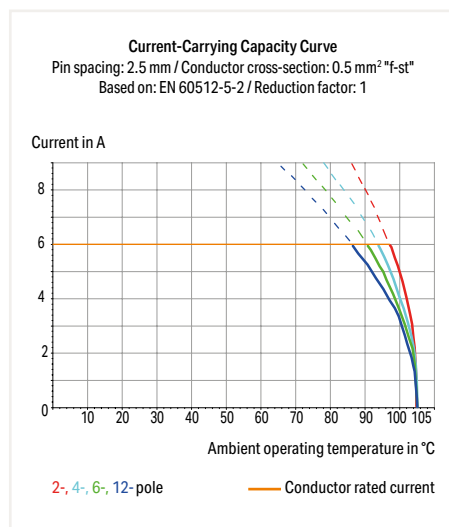
PCB terminal block ▶ 233 Series

CAGE CLAMP® ▶ Actuation type: Push-button ▶ 0.5 mm²

1



- Compact PCB terminal strips with CAGE CLAMP® connection and screwdriver actuation parallel or perpendicular to conductor entry
- Double solder pins for high mechanical
- Custom color combinations



Electrical Data

Pin spacing	2.54 mm / 0.1 inch; 2.5 mm / 0.098 inch		
Ratings per	IEC/EN 60664-1		
Overvoltage category	III	III	II
Pollution degree	3	2	2
Rated voltage	63 V	160 V	320 V
Rated impulse voltage	2.5 kV	2.5 kV	2.5 kV
Rated current	6 A	6 A	6 A
Approbations per	UL 1059		
Use group	B	C	D
Rated voltage	150 V	-	-
Rated current	4 A	-	-
Approbations per	CSA		
Use group	B	C	D
Rated voltage	150 V	-	-
Rated current	4 A	-	-

Connection Data

Connection technology	CAGE CLAMP®
Strip length	5 ... 6 mm / 0.2 ... 0.24 inch
Conductor connection direction to PCB	30°
Solid conductor	0.08 ... 0.5 mm ² / 28 ... 20 AWG
Fine-stranded conductor	0.08 ... 0.5 mm ² / 28 ... 20 AWG
Fine-stranded conductor; with insulated ferrule	0.25 mm ²
Fine-stranded conductor; with uninsulated ferrule	0.25 mm ²
Note (conductor cross-section)	Terminating 0.75 mm ² /18 AWG conductors is possible; however insulation diameter allows only every other clamping unit to be terminated with this conductor size.

Material Data

Material group	I
Insulation material	Polyamide (PA66)
Flammability class per UL94	V0
Clamping spring material	Chrome nickel spring steel (CrNi)
Contact material	Electrolytic copper (E _{cu})
Contact plating	Tin-plated

Mechanical Data

Solder pin arrangement	Over the entire terminal strip (in-line)
Solder pin length	4 mm
Solder pin dimensions	0.5 x 0.75 mm
Drilled hole diameter with tolerance	1.1 (+0.1) mm

Environmental Requirements

Limit temperature range	-60 ... +105 °C
--------------------------------	-----------------

Ferrule [Page 879](#)

Marking [Page 864](#)

Tool [Page 870](#)

See technical section for further information

For approvals and corresponding ratings, visit www.wago.com

PCB terminal block ▶ 233 Series CAGE CLAMP® ▶ Actuation type: Push-button ▶ 0.5 mm²

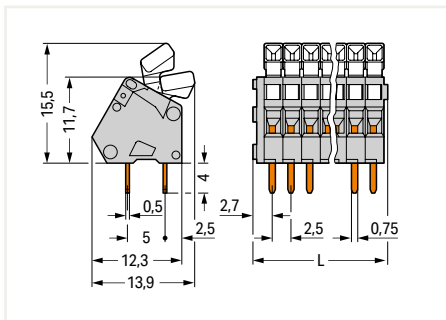
Pin spacing: 2.5 mm / 0.098 inch ▶ Color: gray

Pin spacing: 2.54 mm / 0.1 inch ▶ Color: orange

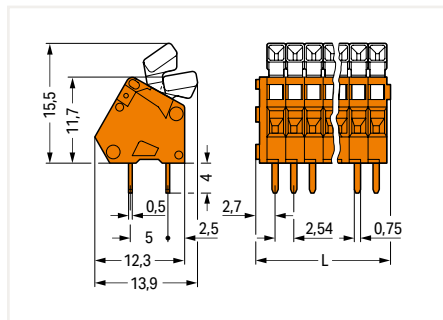
1



Pole No.	Item No.	PU (SPU)	Pole No.	Item No.	PU (SPU)
2	233-202	600 (100)	2	233-502	600 (100)
3	233-203	500 (125)	3	233-503	500 (125)
4	233-204	400 (100)	4	233-504	400 (100)
5	233-205	340 (85)	5	233-505	340 (85)
6	233-206	280 (70)	6	233-506	280 (70)
7	233-207	240 (60)	7	233-507	240 (60)
8	233-208	220 (55)	8	233-508	220 (55)
9	233-209	200 (50)	9	233-509	200 (50)
10	233-210	180 (45)	10	233-510	180 (45)
12	233-212	140 (35)	12	233-512	140 (35)



L = (pole no. x pin spacing) + 2.3 mm



L = (pole no. x pin spacing) + 2.3 mm

PU = Packaging Unit; SPU = Subpackaging Unit; Dimensions in mm

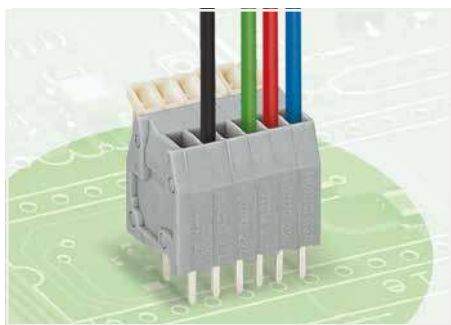
Other versions (or variants) can be requested from WAGO Sales or configured at <https://configurator.wago.com/>.

- Other pole numbers
- Other colors
- Mixed-color PCB connector strips
- Direct marking

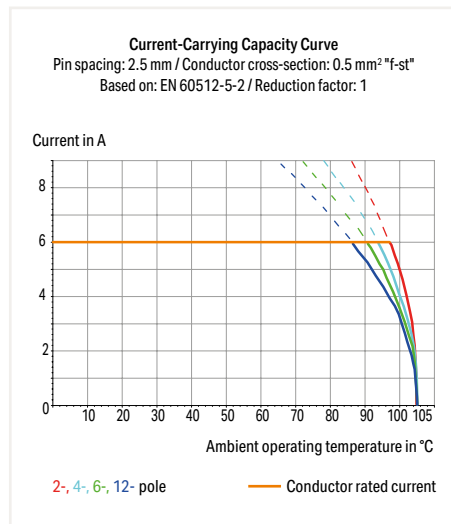
PCB terminal block ▶ 234 Series

CAGE CLAMP® ▶ Actuation type: Push-button ▶ 0.5 mm²

1



- PCB terminal strips with push-buttons and CAGE CLAMP® connection
- Double solder pins for high mechanical stability on PCB
- Ideal for in-the-field wiring thanks to simplified push-button actuation
- Convenient, tool-free operation



Electrical Data

Pin spacing	2.54 mm / 0.1 inch; 2.5 mm / 0.098 inch		
Ratings per	IEC/EN 60664-1		
Overvoltage category	III	III	II
Pollution degree	3	2	2
Rated voltage	63 V	160 V	320 V
Rated impulse voltage	2.5 kV	2.5 kV	2.5 kV
Rated current	6 A	6 A	6 A
Approbations per	UL 1059		
Use group	B	C	D
Rated voltage	150 V	-	-
Rated current	4 A	-	-
Approbations per	CSA		
Use group	B	C	D
Rated voltage	150 V	-	-
Rated current	4 A	-	-

Connection Data

Connection technology	CAGE CLAMP®
Strip length	5 ... 6 mm / 0.2 ... 0.24 inch
Conductor connection direction to PCB	90°
Solid conductor	0.08 ... 0.5 mm ² / 28 ... 20 AWG
Fine-stranded conductor	0.08 ... 0.5 mm ² / 28 ... 20 AWG
Fine-stranded conductor; with insulated ferrule	0.25 mm ²
Fine-stranded conductor; with uninsulated ferrule	0.25 mm ²

Material Data

Material group	I
Insulation material	Polyamide (PA66)
Flammability class per UL94	V0
Clamping spring material	Chrome nickel spring steel (CrNi)
Contact material	Electrolytic copper (E _{cu})
Contact plating	Tin-plated

Mechanical Data

Solder pin arrangement	Over the entire terminal strip (in-line)
Solder pin length	4 mm
Solder pin dimensions	0.5 x 0.75 mm
Drilled hole diameter with tolerance	1.1 ^(+0.1) mm

Environmental Requirements

Limit temperature range	-60 ... +105 °C
--------------------------------	-----------------

Ferrule Page 879

Marking Page 864

Tool Page 870

See technical section for further information

For approvals and corresponding ratings, visit www.wago.com

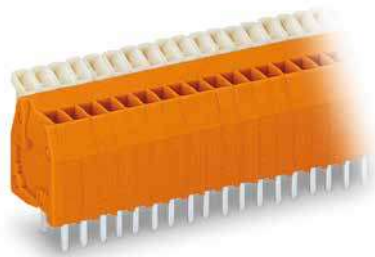
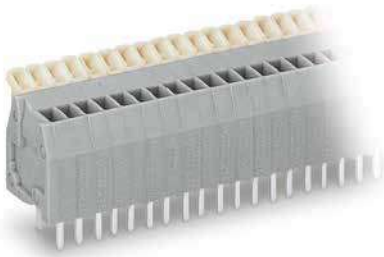
PCB terminal block ▶ 234 Series

CAGE CLAMP® ▶ Actuation type: Push-button ▶ 0.5 mm²

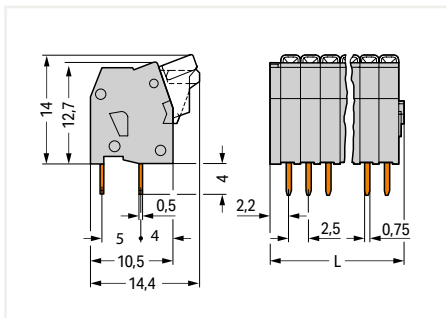
Pin spacing: 2.5 mm / 0.098 inch ▶ Color: gray

Pin spacing: 2.54 mm / 0.1 inch ▶ Color: orange

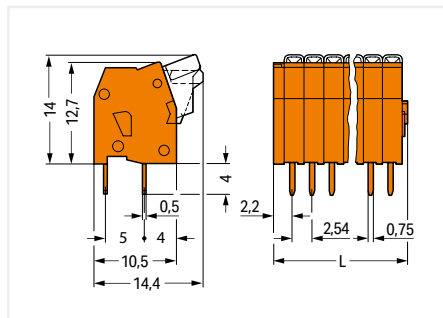
1



Pole No.	Item No.	PU (SPU)	Pole No.	Item No.	PU (SPU)
2	234-202	600 (100)	2	234-502	600 (100)
3	234-203	520 (130)	3	234-503	520 (130)
4	234-204	400 (100)	4	234-504	400 (100)
5	234-205	340 (85)	5	234-505	340 (85)
6	234-206	280 (70)	6	234-506	280 (70)
7	234-207	240 (60)	7	234-507	240 (60)
8	234-208	220 (55)	8	234-508	220 (55)
9	234-209	200 (50)	9	234-509	200 (50)
10	234-210	180 (45)	10	234-510	180 (45)
12	234-212	140 (35)	12	234-512	140 (35)



L = (pole no. x pin spacing) + 2.2 mm



L = (pole no. x pin spacing) + 2.2 mm

PU = Packaging Unit; SPU = Subpackaging Unit; Dimensions in mm

Other versions (or variants) can be requested from WAGO Sales or configured at <https://configurator.wago.com/>.

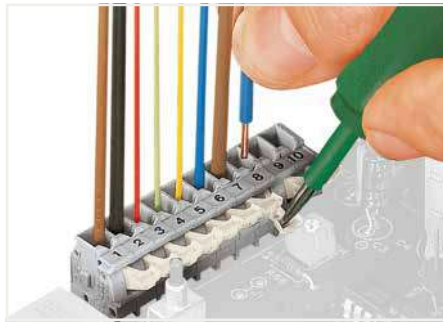
- Other pole numbers
- Other colors
- Mixed-color PCB connector strips
- Direct marking

255, 256 and 257 Series Description and Installation

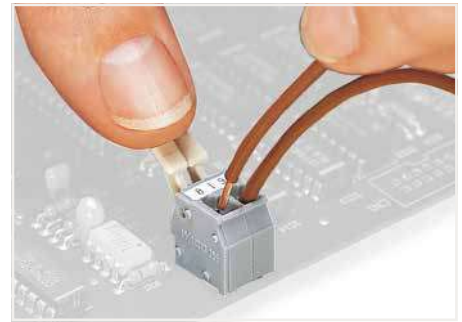
1



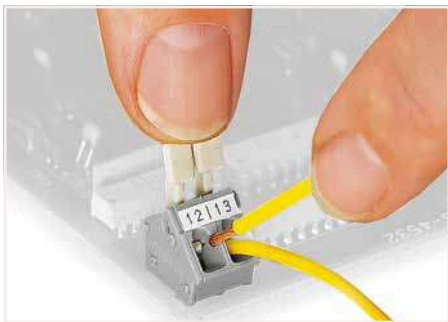
Inserting/removing a conductor – 256 Series.



Inserting/removing a conductor – 255 Series.



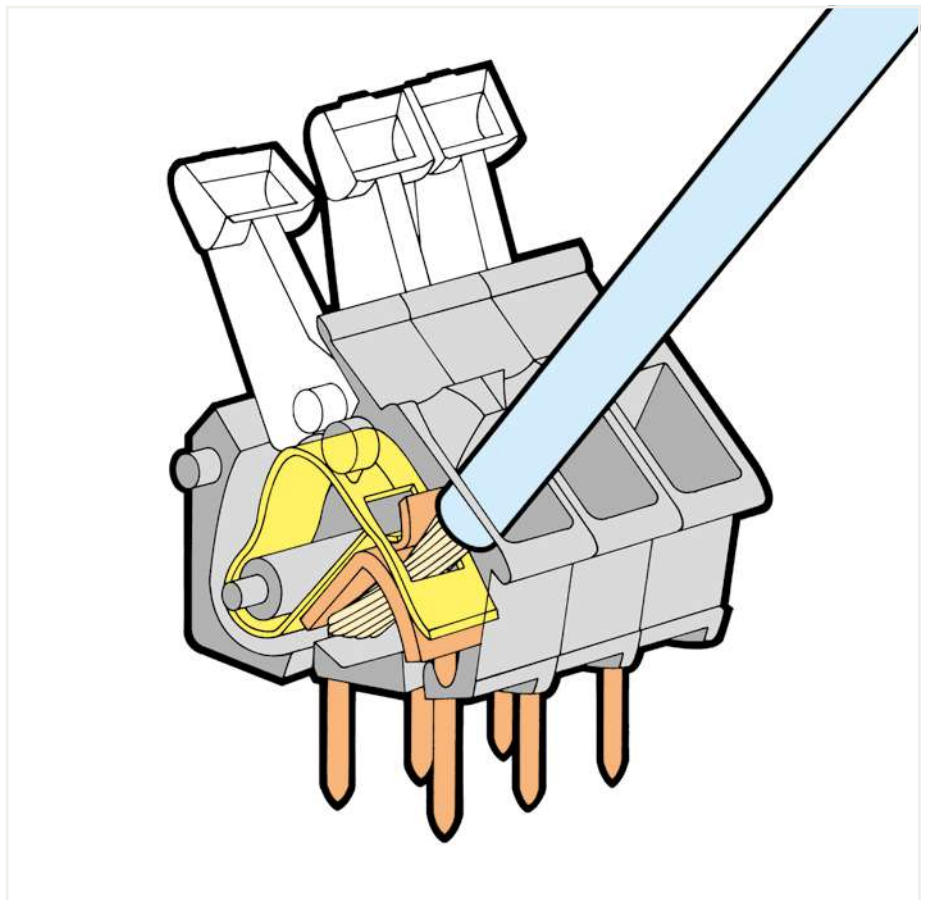
Inserting/removing a conductor via finger-operated lever – 255 Series.



Inserting/removing a conductor via finger-operated lever – 256 Series.



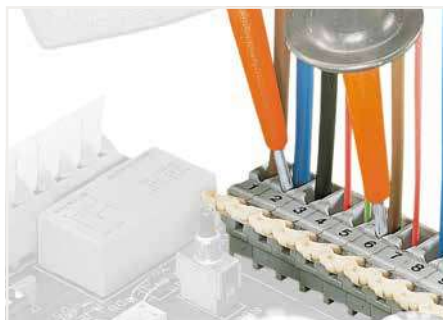
Possible conductor arrangement with terminal strips staggered (for 256 Series only).



255, 256 and 257 Series



Formation of groups using housings of different colors.



Testing with test probes.

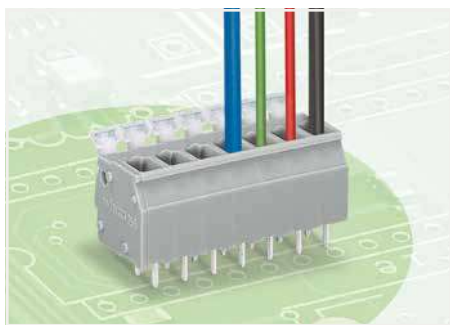


Testing with test plug modules.

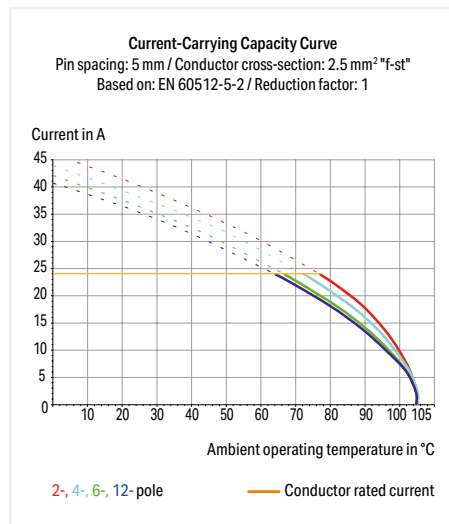
Stackable PCB terminal block ▶ 255 Series

CAGE CLAMP® ▶ Actuation type: Push-button ▶ 2.5 mm²

1



- PCB terminal blocks with push-buttons and CAGE CLAMP® connection
- Versions with Ex approval
- Set to metric or inch pin spacing by compressing PCB terminal strips or pulling them apart
- Ideal for in-the-field wiring thanks to simplified push-button actuation
- Convenient, tool-free operation



Electrical Data									
Pin spacing	5/5.08 mm / 0.197/0.2 inch			7.5/7.62 mm / 0.295/0.3 inch			10/10.16 mm / 0.394/0.4 inch		
Ratings per	IEC/EN 60664-1			IEC/EN 60664-1			IEC/EN 60664-1		
Overtoltage category	III	III	II	III	III	II	III	III	II
Pollution degree	3	2	2	3	2	2	3	2	2
Rated voltage	320 V	320 V	630 V	500 V	630 V	1000 V	630 V	1000 V	1000 V
Rated impulse voltage	4 kV	4 kV	4 kV	6 kV	6 kV	6 kV	8 kV	8 kV	8 kV
Rated current	24 A	24 A	24 A	24 A	24 A	24 A	24 A	24 A	24 A
Approbations per	UL 1059			UL 1059			UL 1059		
Use group	B	C	D	B	C	D	B	C	D
Rated voltage	300 V	-	300 V	300 V	-	300 V	300 V	-	300 V
Rated current	15 A	-	10 A	15 A	-	10 A	15 A	-	10 A
Approbations per	CSA			CSA			CSA		
Use group	B	C	D	B	C	D	B	C	D
Rated voltage	300 V	-	300 V	300 V	-	300 V	300 V	-	300 V
Rated current	15 A	-	10 A	15 A	-	10 A	15 A	-	10 A

Connection Data	
Connection technology	CAGE CLAMP®
Strip length	5 ... 6 mm / 0.2 ... 0.24 inch
Conductor connection direction to PCB	90 °
Solid conductor	0.08 ... 2.5 mm ² / 28 ... 12 AWG
Fine-stranded conductor	0.08 ... 2.5 mm ² / 28 ... 12 AWG
Fine-stranded conductor; with insulated ferrule	0.25 ... 1.5 mm ²
Fine-stranded conductor; with uninsulated ferrule	0.25 ... 1.5 mm ²
Note (conductor cross-section)	12 AWG: THHN, THWN

Material Data	
Material group	I
Insulation material	Polyamide (PA66)
Flammability class per UL94	V0
Clamping spring material	Chrome nickel spring steel (CrNi)
Contact material	Electrolytic copper (E _{cu})
Contact plating	Tin-plated

Mechanical Data	
Solder pin arrangement	Within the terminal block (in-line)
Solder pin length	4 mm
Solder pin dimensions	0.7 x 0.7 mm
Drilled hole diameter with tolerance	1.1 (+0.1) mm

Environmental Requirements	
Limit temperature range	-60 ... +105 °C

Ferrule	Page 879
Marking	Page 865
Test and measurement	Page 258
Tool	Page 870
Commoning strips	Page 262

See technical section for further information

For approvals and corresponding ratings, visit www.wago.com

Stackable PCB terminal block ▶ 255 Series

CAGE CLAMP® ▶ Actuation type: Push-button ▶ 2.5 mm²

Pin spacing: 5/5.08 mm / 0.197/0.2 inch

Pin spacing: 7.5/7.62 mm / 0.295/0.3 inch

Pin spacing: 10/10.16 mm / 0.394/0.4 inch



255-401

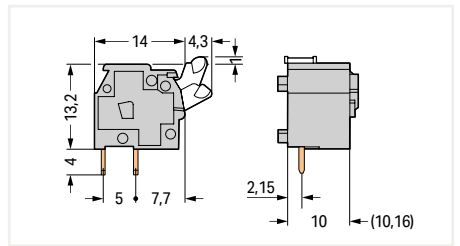
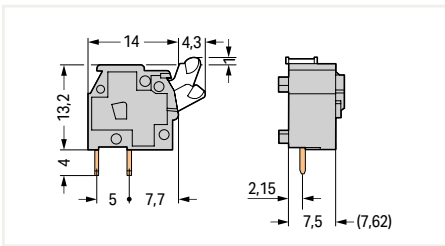
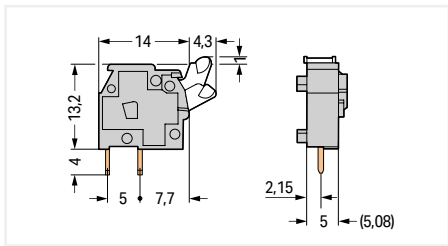
255-501

255-601

Color	Item No.	PU (SPU)
gray	255-401	500 (100)
blue	255-744	500 (100)
orange	255-746	500 (100)
black	255-748	500 (100)
yellow	255-741	500 (100)
light gray	255-743	500 (100)
light green	255-747	500 (100)
red	255-740	500 (100)
dark gray	255-742	500 (100)

Color	Item No.	PU (SPU)
gray	255-501	400 (100)
blue	255-754	400 (100)
orange	255-756	400 (100)
black	255-758	400 (100)
yellow	255-751	400 (100)
light gray	255-753	400 (100)
light green	255-757	400 (100)
red	255-750	400 (100)
dark gray	255-752	400 (100)

Color	Item No.	PU (SPU)
gray	255-601	300 (100)
blue	255-764	300 (100)
orange	255-766	300 (100)
black	255-768	300 (100)
yellow	255-761	300 (100)
light gray	255-763	300 (100)
light green	255-767	300 (100)
red	255-760	300 (100)
dark gray	255-762	300 (100)



Accessories; for all products on this page



End plate; Width: 1 mm; Snap-on type

Color	Item No.	PU (SPU)
gray	255-100	2000 (100)

End plate; Width: 1 mm; snap-on type

Color	Item No.	PU (SPU)
blue	255-400	2000 (100)
orange	255-600	2000 (100)
black	255-800	2000 (100)
light gray	255-300	2000 (100)
light green	255-700	2000 (100)
red	255-500	2000 (100)
dark gray	255-200	2000 (100)

Intermediate plate; Extends pin spacing; Width: 5.08 mm / 0.2 inch

Color	Item No.	PU (SPU)
gray	255-801	500 (100)



Intermediate plate; Extends pin spacing; Width: 7.62 mm / 0.3 inch

Color	Item No.	PU (SPU)
gray	255-811	400 (100)

Intermediate plate; Extends pin spacing; Width: 10.16 mm / 0.4 inch

Color	Item No.	PU (SPU)
gray	255-821	500 (100)

PU = Packaging Unit; SPU = Subpackaging Unit; Dimensions in mm

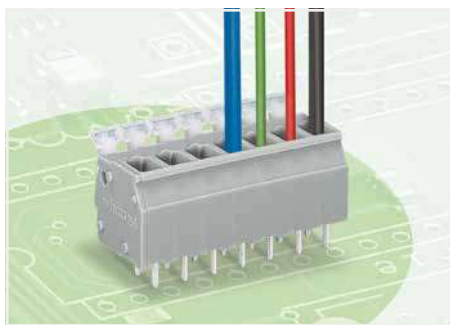
Other versions (or variants) can be requested from WAGO Sales or configured at <https://configurator.wago.com/>.

- Other colors
- Versions for Ex e II and Ex i

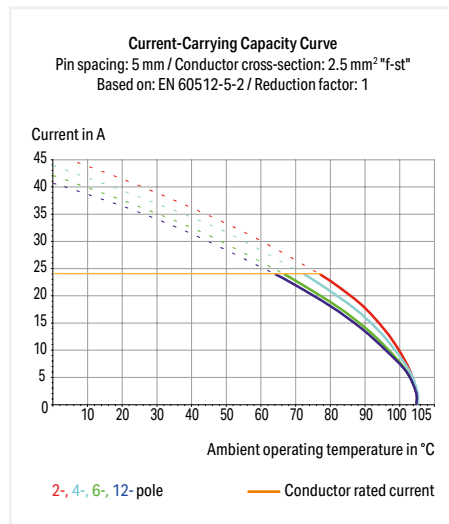
PCB terminal block ▶ 255 Series

CAGE CLAMP® ▶ Actuation type: Push-button ▶ 2.5 mm² ▶ Color: gray

1



- PCB terminal blocks with push-buttons and CAGE CLAMP® connection
- Versions with Ex approval
- Set to metric or inch pin spacing by compressing PCB terminal strips or pulling them apart
- Ideal for in-the-field wiring thanks to simplified push-button actuation
- Convenient, tool-free operation

**Electrical Data**

Pin spacing	5/5.08 mm / 0.197/0.2 inch			7.5/7.62 mm / 0.295/0.3 inch			10/10.16 mm / 0.394/0.4 inch		
	IEC/EN 60664-1			IEC/EN 60664-1			IEC/EN 60664-1		
Ratings per									
Overvoltage category	III	III	II	III	III	II	III	III	II
Pollution degree	3	2	2	3	2	2	3	2	2
Rated voltage	320 V	320 V	630 V	500 V	630 V	1000 V	630 V	1000 V	1000 V
Rated impulse voltage	4 kV	4 kV	4 kV	6 kV	6 kV	6 kV	8 kV	8 kV	8 kV
Rated current	24 A	24 A	24 A	24 A	24 A	24 A	24 A	24 A	24 A

Approbations per	UL 1059			UL 1059			UL 1059		
	B	C	D	B	C	D	B	C	D
Use group	B	C	D	B	C	D	B	C	D
Rated voltage	300 V	-	300 V	300 V	-	300 V	300 V	-	300 V
Rated current	15 A	-	10 A	15 A	-	10 A	15 A	-	10 A

Approbations per	CSA			CSA			CSA		
	B	C	D	B	C	D	B	C	D
Use group	B	C	D	B	C	D	B	C	D
Rated voltage	300 V	-	300 V	300 V	-	300 V	300 V	-	300 V
Rated current	15 A	-	10 A	15 A	-	10 A	15 A	-	10 A

Connection Data

Connection technology	CAGE CLAMP®
Strip length	5 ... 6 mm / 0.2 ... 0.24 inch
Conductor connection direction to PCB	90°
Fine-stranded conductor	0.08 ... 2.5 mm ² / 28 ... 12 AWG
Fine-stranded conductor; with insulated ferrule	0.25 ... 1.5 mm ²
Fine-stranded conductor; with uninsulated ferrule	0.25 ... 1.5 mm ²
Note (conductor cross-section)	12 AWG: THHN, THWN

Material Data

Material group	I
Insulation material	Polyamide (PA66)
Flammability class per UL94	V0
Clamping spring material	Chrome nickel spring steel (CrNi)
Contact material	Electrolytic copper (E _{cu})
Contact plating	Tin-plated

Mechanical Data

Solder pin arrangement	Over the entire terminal strip (in-line)
Solder pin length	4 mm
Solder pin dimensions	0.7 x 0.7 mm
Drilled hole diameter with tolerance	1.1 ^(+0.1) mm

Environmental Requirements

Limit temperature range	-60 ... +105 °C
-------------------------	-----------------

Ferrule Page 879

Marking Page 865

Test and measurement Page 258

Tool Page 870

Commoning strips Page 262

See technical section for further information

For approvals and corresponding ratings, visit www.wago.com

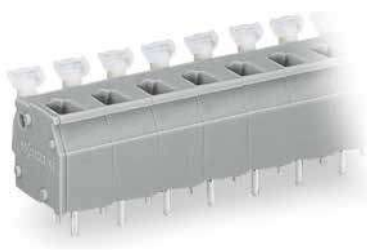
PCB terminal block ▶ 255 Series

CAGE CLAMP® ▶ Actuation type: Push-button ▶ 2.5 mm² ▶ Color: gray

Pin spacing: 5/5.08 mm / 0.197/0.2 inch

Pin spacing: 7.5/7.62 mm / 0.295/0.3 inch

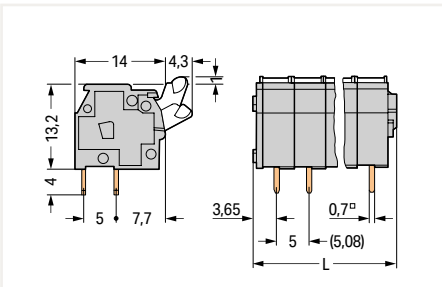
Pin spacing: 10/10.16 mm / 0.394/0.4 inch



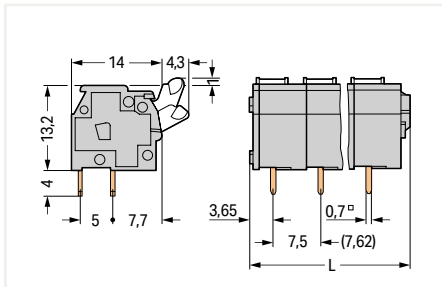
Pole No.	Item No.	PU (SPU)
2	255-402	400 (100)
3	255-403	280 (70)
4	255-404	200 (50)
5	255-405	160 (40)
6	255-406	140 (35)
7	255-407	120 (30)
8	255-408	100 (25)
9	255-409	100 (25)
10	255-410	80 (20)
12	255-412	60 (15)

Pole No.	Item No.	PU (SPU)
2	255-502	280 (70)
3	255-503	180 (45)
4	255-504	140 (35)
5	255-505	120 (30)
6	255-506	100 (25)
7	255-507	80 (20)
8	255-508	60 (15)
9	255-509	60 (15)
10	255-510	60 (15)
12	255-512	40 (10)

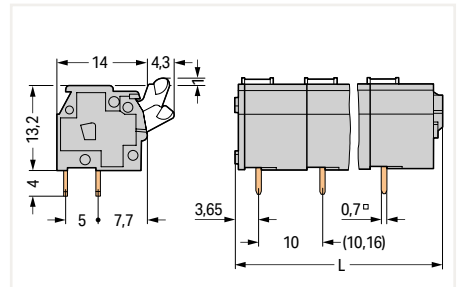
Pole No.	Item No.	PU (SPU)
2	255-602	200 (50)
3	255-603	140 (35)
4	255-604	100 (25)
5	255-605	80 (20)
6	255-606	60 (15)
7	255-607	60 (15)
8	255-608	60 (15)
9	255-609	40 (10)
10	255-610	40 (10)
12	255-612	40 (10)



L = (pole no. x pin spacing) + 2.9 mm



L = (pole no. x pin spacing) + 2.9 mm



L = (pole no. x pin spacing) + 2.9 mm

PU = Packaging Unit; SPU = Subpackaging Unit; Dimensions in mm

Other versions (or variants) can be requested from WAGO Sales or configured at <https://configurator.wago.com/>.

- Other pole numbers
- Versions for Ex e II and Ex i
- Other colors
- Mixed-color PCB connector strips
- Direct marking

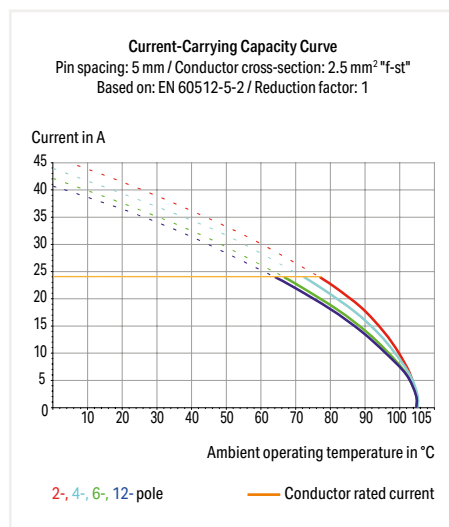
PCB terminal block ▶ 255 Series

CAGE CLAMP® ▶ Actuation type: Finger-operated lever ▶ 2.5 mm² ▶ Color: gray

1



- PCB terminal blocks with push-buttons and CAGE CLAMP® connection
- Versions with Ex approval
- Set to metric or inch pin spacing by compressing PCB terminal strips or pulling them apart
- Ideal for in-the-field wiring thanks to simplified push-button actuation
- Convenient, tool-free operation



Electrical Data									
Pin spacing	5/5.08 mm / 0.197/0.2 inch			7.5/7.62 mm / 0.295/0.3 inch			10/10.16 mm / 0.394/0.4 inch		
Ratings per	IEC/EN 60664-1			IEC/EN 60664-1			IEC/EN 60664-1		
Overtoltage category	III	III	II	III	III	II	III	III	II
Pollution degree	3	2	2	3	2	2	3	2	2
Rated voltage	320 V	320 V	630 V	500 V	630 V	1000 V	630 V	1000 V	1000 V
Rated impulse voltage	4 kV	4 kV	4 kV	6 kV	6 kV	6 kV	8 kV	8 kV	8 kV
Rated current	24 A	24 A	24 A	24 A	24 A	24 A	24 A	24 A	24 A
Approbations per	UL 1059			UL 1059			UL 1059		
Use group	B	C	D	B	C	D	B	C	D
Rated voltage	300 V	-	300 V	300 V	-	300 V	300 V	-	300 V
Rated current	15 A	-	10 A	15 A	-	10 A	15 A	-	10 A
Approbations per	CSA			CSA			CSA		
Use group	B	C	D	B	C	D	B	C	D
Rated voltage	300 V	-	300 V	300 V	-	300 V	300 V	-	300 V
Rated current	15 A	-	10 A	15 A	-	10 A	15 A	-	10 A

Connection Data	
Connection technology	CAGE CLAMP®
Strip length	5 ... 6 mm / 0.2 ... 0.24 inch
Conductor connection direction to PCB	90°
Fine-stranded conductor	0.08 ... 2.5 mm ² / 28 ... 12 AWG
Fine-stranded conductor; with insulated ferrule	0.25 ... 1.5 mm ²
Fine-stranded conductor; with uninsulated ferrule	0.25 ... 1.5 mm ²
Note (conductor cross-section)	12 AWG: THHN, THWN

Material Data	
Material group	I
Insulation material	Polyamide (PA66)
Flammability class per UL94	V0
Clamping spring material	Chrome nickel spring steel (CrNi)
Contact material	Electrolytic copper (E _{cu})
Contact plating	Tin-plated

Mechanical Data	
Solder pin arrangement	Over the entire terminal strip (in-line)
Solder pin length	4 mm
Solder pin dimensions	0.7 x 0.7 mm
Drilled hole diameter with tolerance	1.1 ^(+0.1) mm

Environmental Requirements	
Limit temperature range	-60 ... +105 °C

Ferrule [Page 879](#)

Marking [Page 865](#)

Test and measurement [Page 258](#)

Commoning strips [Page 262](#)

See technical section for further information

For approvals and corresponding ratings, visit www.wago.com

PCB terminal block ▶ 255 Series

CAGE CLAMP® ▶ Actuation type: Finger-operated lever ▶ 2.5 mm² ▶ Color: gray

Pin spacing: 5/5.08 mm / 0.197/0.2 inch

Pin spacing: 7.5/7.62 mm / 0.295/0.3 inch

Pin spacing: 10/10.16 mm / 0.394/0.4 inch

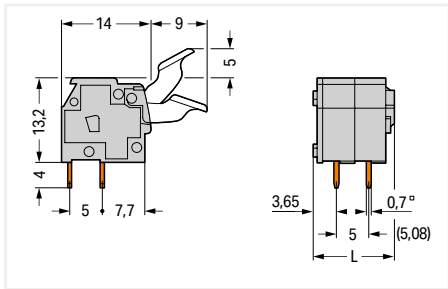


1

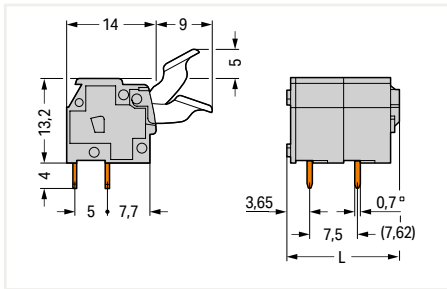
Pole No.	Item No.	PU (SPU)
2	255-402/333-000	400 (100)
3	255-403/333-000	280 (70)
4	255-404/333-000	200 (50)
5	255-405/333-000	160 (40)
6	255-406/333-000	140 (35)
7	255-407/333-000	120 (30)
8	255-408/333-000	100 (25)
9	255-409/333-000	100 (25)
10	255-410/333-000	80 (20)
12	255-412/333-000	60 (15)

Pole No.	Item No.	PU (SPU)
2	255-502/333-000	280 (70)
3	255-503/333-000	180 (45)
4	255-504/333-000	140 (35)
5	255-505/333-000	120 (30)
6	255-506/333-000	100 (25)
7	255-507/333-000	80 (20)
8	255-508/333-000	60 (15)
9	255-509/333-000	60 (15)
10	255-510/333-000	60 (15)
12	255-512/333-000	40 (10)

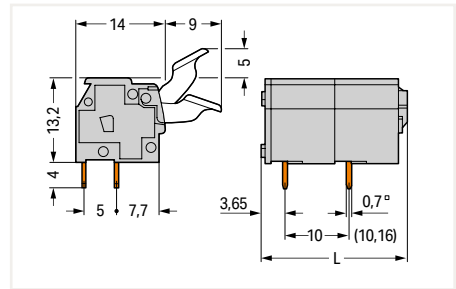
Pole No.	Item No.	PU (SPU)
2	255-602/333-000	200 (50)
3	255-603/333-000	140 (35)
4	255-604/333-000	100 (25)
5	255-605/333-000	80 (20)
6	255-606/333-000	60 (15)
7	255-607/333-000	60 (15)
8	255-608/333-000	60 (15)
9	255-609/333-000	40 (10)
10	255-610/333-000	40 (10)
12	255-612/333-000	40 (10)



L = (pole no. x pin spacing) + 2.9 mm



L = (pole no. x pin spacing) + 2.9 mm



L = (pole no. x pin spacing) + 2.9 mm

PU = Packaging Unit; SPU = Subpackaging Unit; Dimensions in mm

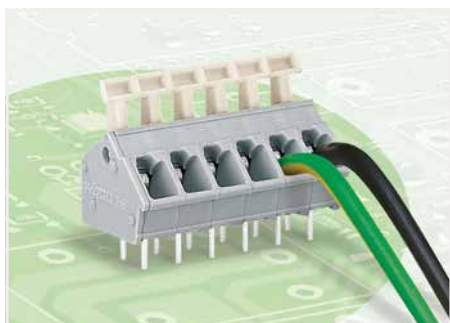
Other versions (or variants) can be requested from WAGO Sales or configured at <https://configurator.wago.com/>.

- Other pole numbers
- Versions for Ex e II and Ex i
- Other colors
- Mixed-color PCB connector strips
- Direct marking

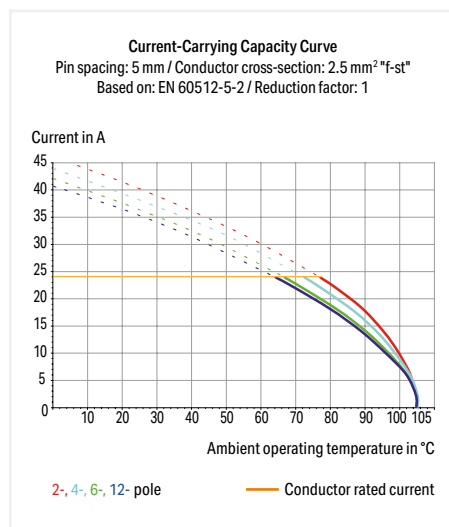
Stackable PCB terminal block ▶ 256 Series

CAGE CLAMP® ▶ Actuation type: Push-button ▶ 2.5 mm²

1



- PCB modular terminal blocks with push-buttons and CAGE CLAMP® connection
- Versions with Ex approval
- Set to metric or inch pin spacing by compressing PCB terminal strips or pulling them apart
- Ideal for in-the-field wiring thanks to simplified push-button actuation
- Convenient, tool-free operation



Electrical Data									
Pin spacing	5/5.08 mm / 0.197/0.2 inch			7.5/7.62 mm / 0.295/0.3 inch			10/10.16 mm / 0.394/0.4 inch		
Ratings per	IEC/EN 60664-1			IEC/EN 60664-1			IEC/EN 60664-1		
Overtoltage category	III	III	II	III	III	II	III	III	II
Pollution degree	3	2	2	3	2	2	3	2	2
Rated voltage	250 V	320 V	630 V	320 V	320 V	630 V	500 V	630 V	1000 V
Rated impulse voltage	4 kV	4 kV	4 kV	4 kV	4 kV	4 kV	6 kV	6 kV	6 kV
Rated current	24 A	24 A	24 A	24 A	24 A	24 A	24 A	24 A	24 A
Approbations per	UL 1059			UL 1059			UL 1059		
Use group	B	C	D	B	C	D	B	C	D
Rated voltage	300 V	-	300 V	300 V	-	300 V	300 V	-	300 V
Rated current	15 A	-	10 A	15 A	-	10 A	15 A	-	10 A
Approbations per	CSA			CSA			CSA		
Use group	B	C	D	B	C	D	B	C	D
Rated voltage	300 V	-	300 V	300 V	-	300 V	300 V	-	300 V
Rated current	15 A	-	10 A	15 A	-	10 A	15 A	-	10 A

Connection Data	
Connection technology	CAGE CLAMP®
Strip length	5 ... 6 mm / 0.2 ... 0.24 inch
Conductor connection direction to PCB	45 °
Solid conductor	0.08 ... 2.5 mm ² / 28 ... 12 AWG
Fine-stranded conductor	0.08 ... 2.5 mm ² / 28 ... 12 AWG
Fine-stranded conductor; with insulated ferrule	0.25 ... 1.5 mm ²
Fine-stranded conductor; with uninsulated ferrule	0.25 ... 1.5 mm ²
Note (conductor cross-section)	12 AWG: THHN, THWN

Material Data	
Material group	I
Insulation material	Polyamide (PA66)
Flammability class per UL94	V0
Clamping spring material	Chrome nickel spring steel (CrNi)
Contact material	Electrolytic copper (E _{cu})
Contact plating	Tin-plated

Mechanical Data	
Solder pin arrangement	Within the terminal block (in-line)
Solder pin length	4 mm
Solder pin dimensions	0.7 x 0.7 mm
Drilled hole diameter with tolerance	1.1 (+0.1) mm

Environmental Requirements	
Limit temperature range	-60 ... +105 °C

Ferrule	Page 879
Marking	Page 865
Test and measurement	Page 258
Tool	Page 870
Commoning strips	Page 262

See technical section for further information

For approvals and corresponding ratings, visit www.wago.com

Stackable PCB terminal block ▶ 256 Series

CAGE CLAMP® ▶ Actuation type: Push-button ▶ 2.5 mm²

Pin spacing: 5/5.08 mm / 0.197/0.2 inch

Pin spacing: 7.5/7.62 mm / 0.295/0.3 inch

Pin spacing: 10/10.16 mm / 0.394/0.4 inch



256-401

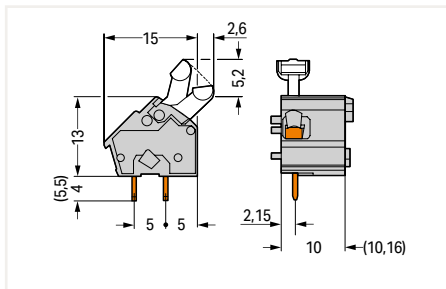
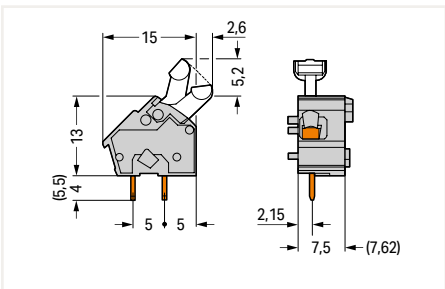
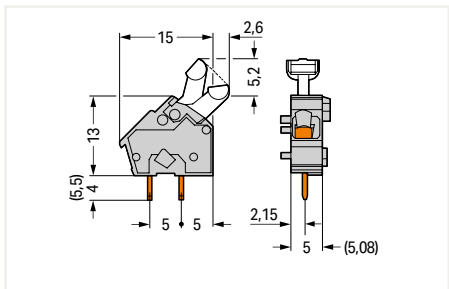
256-501

256-601

Color	Item No.	PU (SPU)
gray	256-401	600 (100)
blue	256-744	600 (100)
orange	256-746	600 (100)
light gray	256-743	600 (100)
light green	256-747	600 (100)
red	256-740	600 (100)
dark gray	256-742	600 (100)

Color	Item No.	PU (SPU)
gray	256-501	400 (100)
blue	256-754	400 (100)
orange	256-756	400 (100)
light gray	256-753	400 (100)
light green	256-757	400 (100)
red	256-750	400 (100)
dark gray	256-752	400 (100)

Color	Item No.	PU (SPU)
gray	256-601	300 (100)
blue	256-764	300 (100)
orange	256-766	300 (100)
light gray	256-763	300 (100)
light green	256-767	300 (100)
red	256-760	300 (100)
dark gray	256-762	300 (100)



Accessories; for all products on this page



End plate; Width: 1 mm; Snap-on type		
Color	Item No.	PU (SPU)
gray	256-100	2000 (100)
light gray	256-300	2000 (100)
dark gray	256-200	2000 (100)

End plate; Width: 1 mm; snap-on type		
Color	Item No.	PU (SPU)
blue	256-400	2000 (100)
orange	256-600	2000 (100)
black	256-800	2000 (100)
light green	256-700	2000 (100)
red	256-500	2000 (100)

PU = Packaging Unit; SPU = Subpackaging Unit; Dimensions in mm

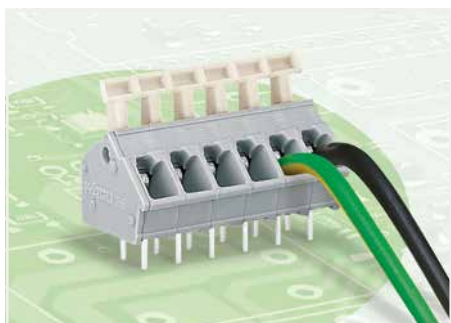
Other versions (or variants) can be requested from WAGO Sales or configured at <https://configurator.wago.com/>.

- Other colors
- Versions for Ex e II and Ex i
- Solder pin length: 5.5 mm

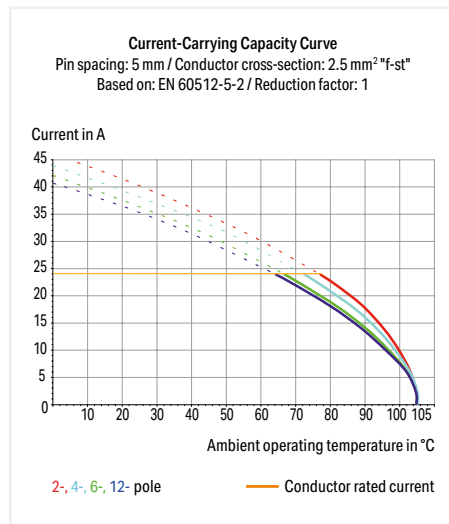
PCB terminal block ▶ 256 Series

CAGE CLAMP® ▶ Actuation type: Push-button ▶ 2.5 mm² ▶ Color: gray

1



- PCB terminal blocks with push-buttons and CAGE CLAMP® connection
- Versions with Ex approval
- Set to metric or inch pin spacing by compressing PCB terminal strips or pulling them apart
- Ideal for in-the-field wiring thanks to simplified push-button actuation
- Convenient, tool-free operation



Electrical Data									
Pin spacing	5/5.08 mm / 0.197/0.2 inch			7.5/7.62 mm / 0.295/0.3 inch			10/10.16 mm / 0.394/0.4 inch		
Ratings per	IEC/EN 60664-1			IEC/EN 60664-1			IEC/EN 60664-1		
Overtoltage category	III	III	II	III	III	II	III	III	II
Pollution degree	3	2	2	3	2	2	3	2	2
Rated voltage	250 V	320 V	630 V	320 V	320 V	630 V	500 V	1000 V	1000 V
Rated impulse voltage	4 kV	4 kV	4 kV	4 kV	4 kV	4 kV	6 kV	6 kV	6 kV
Rated current	24 A	24 A	24 A	24 A	24 A	24 A	24 A	24 A	24 A
Approbations per	UL 1059			UL 1059			UL 1059		
Use group	B	C	D	B	C	D	B	C	D
Rated voltage	300 V	-	300 V	300 V	-	300 V	300 V	-	300 V
Rated current	15 A	-	10 A	15 A	-	10 A	15 A	-	10 A
Approbations per	CSA			CSA			CSA		
Use group	B	C	D	B	C	D	B	C	D
Rated voltage	300 V	-	300 V	300 V	-	300 V	300 V	-	300 V
Rated current	15 A	-	10 A	15 A	-	10 A	15 A	-	10 A

Connection Data	
Connection technology	CAGE CLAMP®
Strip length	5 ... 6 mm / 0.2 ... 0.24 inch
Conductor connection direction to PCB	45°
Solid conductor	0.08 ... 2.5 mm ² / 28 ... 12 AWG
Fine-stranded conductor	0.08 ... 2.5 mm ² / 28 ... 12 AWG
Fine-stranded conductor; with insulated ferrule	0.25 ... 1.5 mm ²
Fine-stranded conductor; with uninsulated ferrule	0.25 ... 1.5 mm ²
Note (conductor cross-section)	12 AWG: THHN, THWN

Material Data	
Material group	I
Insulation material	Polyamide (PA66)
Flammability class per UL94	V0
Clamping spring material	Chrome nickel spring steel (CrNi)
Contact material	Electrolytic copper (E _{cu})
Contact plating	Tin-plated

Mechanical Data	
Solder pin arrangement	Over the entire terminal strip (in-line)
Solder pin length	4 mm
Solder pin dimensions	0.7 x 0.7 mm
Drilled hole diameter with tolerance	1.1 (+0.1) mm

Environmental Requirements	
Limit temperature range	-60 ... +105 °C

Ferrule	Page 879
Marking	Page 865
Test and measurement	Page 258
Tool	Page 870
Commoning strips	Page 262

See technical section for further information

For approvals and corresponding ratings, visit www.wago.com

PCB terminal block ▶ 256 Series

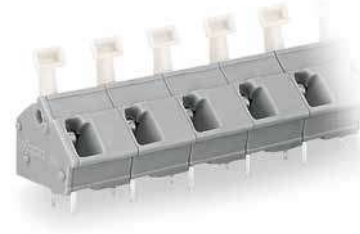
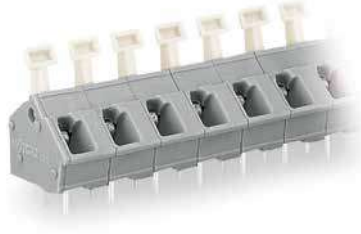
CAGE CLAMP® ▶ Actuation type: Push-button ▶ 2.5 mm² ▶ Color: gray

Pin spacing: 5/5.08 mm / 0.197/0.2 inch

Pin spacing: 7.5/7.62 mm / 0.295/0.3 inch

Pin spacing: 10/10.16 mm / 0.394/0.4 inch

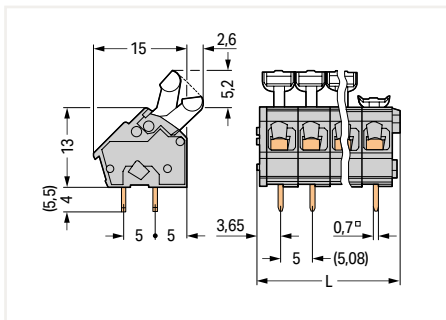
1



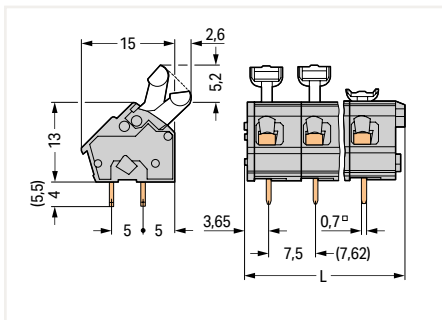
Pole No.	Item No.	PU (SPU)
2	256-402	400 (100)
3	256-403	280 (70)
4	256-404	200 (50)
5	256-405	160 (40)
6	256-406	140 (35)
7	256-407	120 (30)
8	256-408	100 (25)
9	256-409	100 (25)
10	256-410	80 (20)
12	256-412	60 (15)

Pole No.	Item No.	PU (SPU)
2	256-502	280 (70)
3	256-503	180 (45)
4	256-504	140 (35)
5	256-505	120 (30)
6	256-506	100 (25)
7	256-507	80 (20)
8	256-508	60 (15)
9	256-509	60 (15)
10	256-510	60 (15)
12	256-512	40 (10)

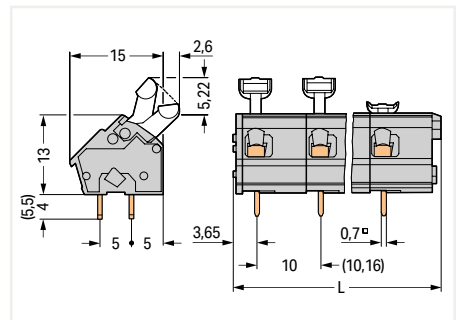
Pole No.	Item No.	PU (SPU)
2	256-602	200 (50)
3	256-603	140 (35)
4	256-604	100 (25)
5	256-605	80 (20)
6	256-606	60 (15)
7	256-607	60 (15)
8	256-608	60 (15)
9	256-609	40 (10)
10	256-610	40 (10)
12	256-612	40 (10)



L = (pole no. x pin spacing) + 2.9 mm



L = (pole no. x pin spacing) + 2.9 mm



L = (pole no. x pin spacing) + 2.9 mm

PU = Packaging Unit; SPU = Subpackaging Unit; Dimensions in mm

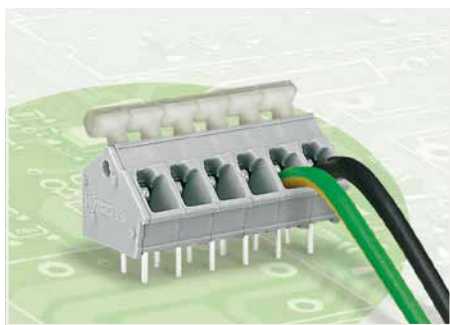
Other versions (or variants) can be requested from WAGO Sales or configured at <https://configurator.wago.com/>.

- Other pole numbers
- Versions for Ex e II and Ex i
- Other colors
- Mixed-color PCB connector strips
- Direct marking

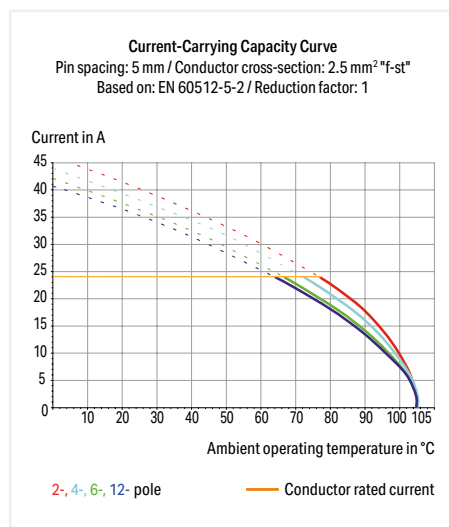
Stackable PCB terminal block ▶ 256 Series

CAGE CLAMP® ▶ Actuation type: Push-button, angled ▶ 2.5 mm²

1



- PCB terminal blocks with angled push-buttons and CAGE CLAMP® connection
- Version with angled push-buttons for easy top-of-unit actuation
- Set to metric or inch pin spacing by compressing PCB terminal strips or pulling them apart
- Ideal for in-the-field wiring thanks to simplified push-button actuation
- Convenient, tool-free operation



Electrical Data

Pin spacing	5/5.08 mm / 0.197/0.2 inch			7.5/7.62 mm / 0.295/0.3 inch			10/10.16 mm / 0.394/0.4 inch		
Ratings per	IEC/EN 60664-1			IEC/EN 60664-1			IEC/EN 60664-1		
Overtoltage category	III	III	II	III	III	II	III	III	II
Pollution degree	3	2	2	3	2	2	3	2	2
Rated voltage	250 V	320 V	630 V	320 V	320 V	630 V	500 V	630 V	1000 V
Rated impulse voltage	4 kV	4 kV	4 kV	4 kV	4 kV	4 kV	6 kV	6 kV	6 kV
Rated current	24 A	24 A	24 A	24 A	24 A	24 A	24 A	24 A	24 A

Approbations per	UL 1059			UL 1059			UL 1059		
Use group	B	C	D	B	C	D	B	C	D
Rated voltage	300 V	-	300 V	300 V	-	300 V	300 V	-	300 V
Rated current	15 A	-	10 A	15 A	-	10 A	15 A	-	10 A

Approbations per	CSA			CSA			CSA		
Use group	B	C	D	B	C	D	B	C	D
Rated voltage	300 V	-	300 V	300 V	-	300 V	300 V	-	300 V
Rated current	15 A	-	10 A	15 A	-	10 A	15 A	-	10 A

Connection Data

Connection technology	CAGE CLAMP®
Strip length	5 ... 6 mm / 0.2 ... 0.24 inch
Conductor connection direction to PCB	45°
Solid conductor	0.08 ... 2.5 mm ² / 28 ... 12 AWG
Fine-stranded conductor	0.08 ... 2.5 mm ² / 28 ... 12 AWG
Fine-stranded conductor; with insulated ferrule	0.25 ... 1.5 mm ²
Fine-stranded conductor; with uninsulated ferrule	0.25 ... 1.5 mm ²
Note (conductor cross-section)	12 AWG: THHN, THWN

Material Data

Material group	I
Insulation material	Polyamide (PA66)
Flammability class per UL94	V0
Clamping spring material	Chrome nickel spring steel (CrNi)
Contact material	Electrolytic copper (E _{cu})
Contact plating	Tin-plated

Mechanical Data

Solder pin arrangement	Within the terminal block (in-line)
Solder pin length	4 mm
Solder pin dimensions	0.7 x 0.7 mm
Drilled hole diameter with tolerance	1.1 ^(+0.1) mm

Environmental Requirements

Limit temperature range	-60 ... +105 °C
-------------------------	-----------------

Ferrule	Page 879
Marking	Page 865
Test and measurement	Page 258
Tool	Page 870
Commoning strips	Page 262

See technical section for further information

For approvals and corresponding ratings, visit www.wago.com

Stackable PCB terminal block ▶ 256 Series

CAGE CLAMP® ▶ Actuation type: Push-button, angled ▶ 2.5 mm²

Pin spacing: 5/5.08 mm / 0.197/0.2 inch

Pin spacing: 7.5/7.62 mm / 0.295/0.3 inch

Pin spacing: 10/10.16 mm / 0.394/0.4 inch



256-461

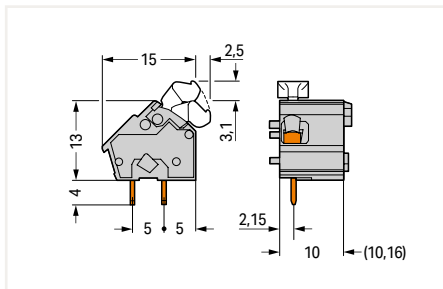
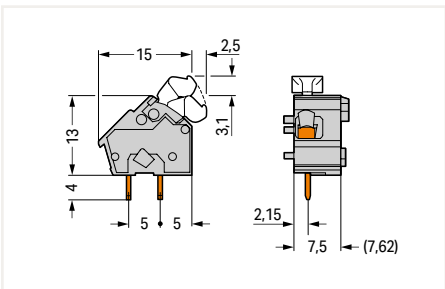
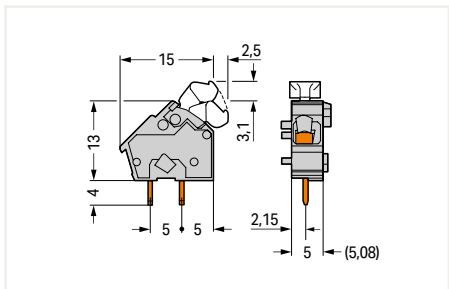
256-561

256-661

Color	Item No.	PU (SPU)
gray	256-461	600 (100)
blue	256-844	600 (100)
orange	256-846	600 (100)
light gray	256-843	600 (100)
light green	256-847	600 (100)
red	256-840	600 (100)
dark gray	256-842	600 (100)

Color	Item No.	PU (SPU)
gray	256-561	400 (100)
blue	256-854	400 (100)
orange	256-856	400 (100)
light gray	256-853	400 (100)
light green	256-857	400 (100)
red	256-850	400 (100)
dark gray	256-852	400 (100)

Color	Item No.	PU (SPU)
gray	256-661	300 (100)
blue	256-864	300 (100)
orange	256-866	300 (100)
light gray	256-863	300 (100)
light green	256-867	300 (100)
red	256-860	300 (100)
dark gray	256-862	300 (100)



Accessories; for all products on this page



End plate; Width: 1 mm; Snap-on type		
Color	Item No.	PU (SPU)
gray	256-100	2000 (100)
light gray	256-300	2000 (100)
dark gray	256-200	2000 (100)

End plate; Width: 1 mm; snap-on type		
Color	Item No.	PU (SPU)
blue	256-400	2000 (100)
orange	256-600	2000 (100)
black	256-800	2000 (100)
light green	256-700	2000 (100)
red	256-500	2000 (100)

PU = Packaging Unit; SPU = Subpackaging Unit; Dimensions in mm

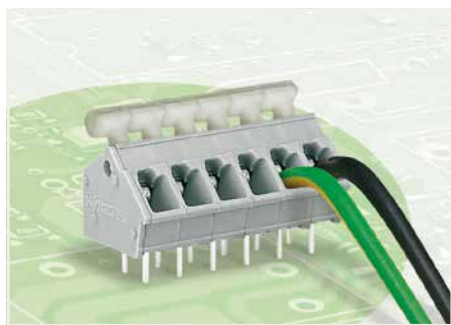
Other versions (or variants) can be requested from WAGO Sales or configured at <https://configurator.wago.com/>.

- Other colors
- Versions for Ex e II and Ex i
- Solder pin length: 5.5 mm

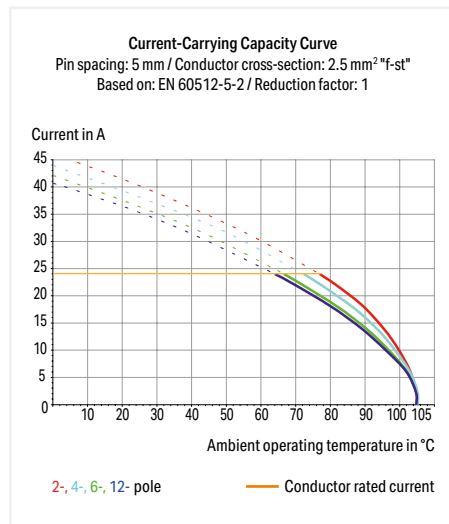
PCB terminal block ▶ 256 Series

CAGE CLAMP® ▶ Actuation type: Push-button, angled ▶ 2.5 mm² ▶ Color: gray

1



- PCB terminal blocks with angled push-buttons and CAGE CLAMP® connection
- Version with angled push-buttons for easy top-of-unit actuation
- Set to metric or inch pin spacing by compressing PCB terminal strips or pulling them apart
- Ideal for in-the-field wiring thanks to simplified push-button actuation
- Convenient, tool-free operation

**Electrical Data**

Pin spacing	5/5.08 mm / 0.197/0.2 inch			7.5/7.62 mm / 0.295/0.3 inch			10/10.16 mm / 0.394/0.4 inch		
Ratings per	IEC/EN 60664-1			IEC/EN 60664-1			IEC/EN 60664-1		
Overtoltage category	III	III	II	III	III	II	III	III	II
Pollution degree	3	2	2	3	2	2	3	2	2
Rated voltage	250 V	320 V	630 V	320 V	320 V	630 V	500 V	630 V	1000 V
Rated impulse voltage	4 kV	4 kV	4 kV	4 kV	4 kV	4 kV	6 kV	6 kV	6 kV
Rated current	24 A	24 A	24 A	24 A	24 A	24 A	24 A	24 A	24 A

Approbations per	UL 1059			UL 1059			UL 1059		
Use group	B	C	D	B	C	D	B	C	D
Rated voltage	300 V	-	300 V	300 V	-	300 V	300 V	-	300 V
Rated current	15 A	-	10 A	15 A	-	10 A	15 A	-	10 A

Approbations per	CSA			CSA			CSA		
Use group	B	C	D	B	C	D	B	C	D
Rated voltage	300 V	-	300 V	300 V	-	300 V	300 V	-	300 V
Rated current	15 A	-	10 A	15 A	-	10 A	15 A	-	10 A

Connection Data

Connection technology	CAGE CLAMP®
Strip length	5 ... 6 mm / 0.2 ... 0.24 inch
Conductor connection direction to PCB	45°
Solid conductor	0.08 ... 2.5 mm ² / 28 ... 12 AWG
Fine-stranded conductor	0.08 ... 2.5 mm ² / 28 ... 12 AWG
Fine-stranded conductor; with insulated ferrule	0.25 ... 1.5 mm ²
Fine-stranded conductor; with uninsulated ferrule	0.25 ... 1.5 mm ²
Note (conductor cross-section)	12 AWG: THHN, THWN

Material Data

Material group	I
Insulation material	Polyamide (PA66)
Flammability class per UL94	V0
Clamping spring material	Chrome nickel spring steel (CrNi)
Contact material	Electrolytic copper (E _{cu})
Contact plating	Tin-plated

Mechanical Data

Solder pin arrangement	Over the entire terminal strip (in-line)
Solder pin dimensions	0.7 x 0.7 mm
Drilled hole diameter with tolerance	1.1 ^(+0.1) mm

Environmental Requirements

Limit temperature range	-60 ... +105 °C
-------------------------	-----------------

Ferrule Page 879

Marking Page 865

Test and measurement Page 258

Tool Page 870

Commoning strips Page 262

See technical section for further information

For approvals and corresponding ratings, visit www.wago.com

PCB terminal block ▶ 256 Series

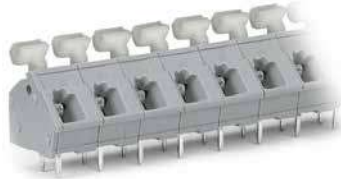
CAGE CLAMP® ▶ Actuation type: Push-button, angled ▶ 2.5 mm² ▶ Color: gray

Pin spacing: 5/5.08 mm / 0.197/0.2 inch

Pin spacing: 7.5/7.62 mm / 0.295/0.3 inch

Pin spacing: 10/10.16 mm / 0.394/0.4 inch

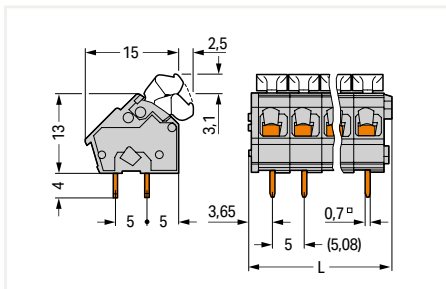
1



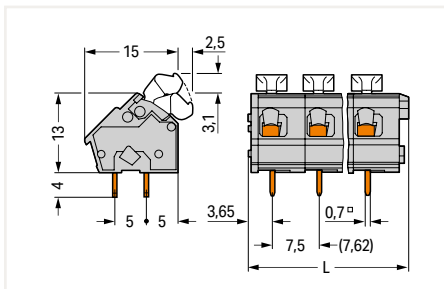
Pole No.	Item No.	PU (SPU)
2	256-402/334-000	400 (100)
3	256-403/334-000	280 (70)
4	256-404/334-000	200 (50)
5	256-405/334-000	160 (40)
6	256-406/334-000	140 (35)
7	256-407/334-000	120 (30)
8	256-408/334-000	100 (25)
9	256-409/334-000	100 (25)
10	256-410/334-000	80 (20)
12	256-412/334-000	60 (15)

Pole No.	Item No.	PU (SPU)
2	256-502/334-000	280 (70)
3	256-503/334-000	180 (45)
4	256-504/334-000	140 (35)
5	256-505/334-000	120 (30)
6	256-506/334-000	100 (25)
7	256-507/334-000	80 (20)
8	256-508/334-000	60 (15)
9	256-509/334-000	60 (15)
10	256-510/334-000	60 (15)
12	256-512/334-000	40 (10)

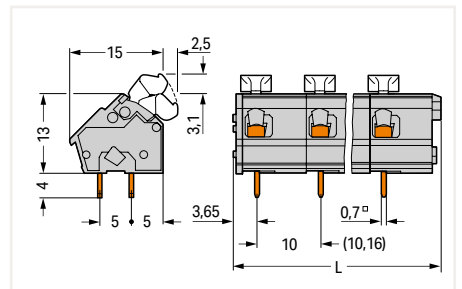
Pole No.	Item No.	PU (SPU)
2	256-602/334-000	200 (50)
3	256-603/334-000	140 (35)
4	256-604/334-000	100 (25)
5	256-605/334-000	80 (20)
6	256-606/334-000	60 (15)
7	256-607/334-000	60 (15)
8	256-608/334-000	60 (15)
9	256-609/334-000	40 (10)
10	256-610/334-000	40 (10)
12	256-612/334-000	40 (10)



L = (pole no. x pin spacing) + 2.9 mm



L = (pole no. x pin spacing) + 2.9 mm



L = (pole no. x pin spacing) + 2.9 mm

PU = Packaging Unit; SPU = Subpackaging Unit; Dimensions in mm

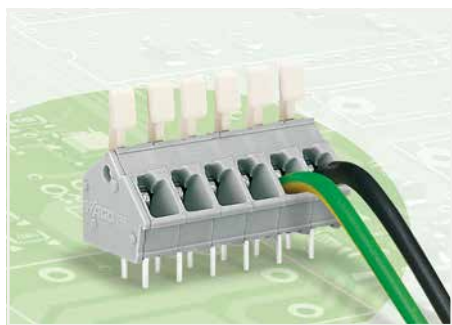
Other versions (or variants) can be requested from WAGO Sales or configured at <https://configurator.wago.com/>.

- Other pole numbers
- Versions for Ex e II and Ex i
- Other colors
- Mixed-color PCB connector strips
- Direct marking

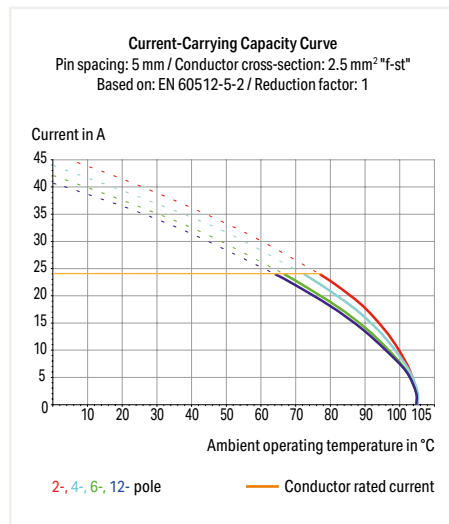
PCB terminal block ▶ 256 Series

CAGE CLAMP® ▶ Actuation type: Finger-operated lever ▶ 2.5 mm² ▶ Color: gray

1



- PCB terminal blocks with push-buttons and CAGE CLAMP® connection
- Versions with Ex approval
- Set to metric or inch pin spacing by compressing PCB terminal strips or pulling them apart
- Ideal for in-the-field wiring thanks to simplified push-button actuation
- Convenient, tool-free operation



Electrical Data									
Pin spacing	5/5.08 mm / 0.197/0.2 inch			7.5/7.62 mm / 0.295/0.3 inch			10/10.16 mm / 0.394/0.4 inch		
Ratings per	IEC/EN 60664-1			IEC/EN 60664-1			IEC/EN 60664-1		
Overtoltage category	III	III	II	III	III	II	III	III	II
Pollution degree	3	2	2	3	2	2	3	2	2
Rated voltage	250 V	320 V	630 V	320 V	320 V	630 V	500 V	630 V	1000 V
Rated impulse voltage	4 kV	4 kV	4 kV	4 kV	4 kV	4 kV	6 kV	6 kV	6 kV
Rated current	24 A	24 A	24 A	24 A	24 A	24 A	24 A	24 A	24 A
Approbations per	UL 1059			UL 1059			UL 1059		
Use group	B	C	D	B	C	D	B	C	D
Rated voltage	300 V	-	300 V	300 V	-	300 V	300 V	-	300 V
Rated current	15 A	-	10 A	15 A	-	10 A	15 A	-	10 A
Approbations per	CSA			CSA			CSA		
Use group	B	C	D	B	C	D	B	C	D
Rated voltage	300 V	-	300 V	300 V	-	300 V	300 V	-	300 V
Rated current	15 A	-	10 A	15 A	-	10 A	15 A	-	10 A

Connection Data	
Connection technology	CAGE CLAMP®
Strip length	5 ... 6 mm / 0.2 ... 0.24 inch
Conductor connection direction to PCB	45°
Solid conductor	0.08 ... 2.5 mm ² / 28 ... 12 AWG
Fine-stranded conductor	0.08 ... 2.5 mm ² / 28 ... 12 AWG
Fine-stranded conductor; with insulated ferrule	0.25 ... 1.5 mm ²
Fine-stranded conductor; with uninsulated ferrule	0.25 ... 1.5 mm ²
Note (conductor cross-section)	12 AWG: THHN, THWN

Material Data	
Material group	I
Insulation material	Polyamide (PA66)
Flammability class per UL94	V0
Clamping spring material	Chrome nickel spring steel (CrNi)
Contact material	Electrolytic copper (E _{cu})
Contact plating	Tin-plated

Mechanical Data	
Solder pin arrangement	Over the entire terminal strip (in-line)
Solder pin length	4 mm
Solder pin dimensions	0.7 x 0.7 mm
Drilled hole diameter with tolerance	1.1 (+0.1) mm

Environmental Requirements	
Limit temperature range	-60 ... +105 °C

Ferrule	Page 879
Marking	Page 865
Test and measurement	Page 258
Commoning strips	Page 262
See technical section for further information	
For approvals and corresponding ratings, visit www.wago.com	

PCB terminal block ▶ 256 Series

CAGE CLAMP® ▶ Actuation type: Finger-operated lever ▶ 2.5 mm² ▶ Color: gray

Pin spacing: 5/5.08 mm / 0.197/0.2 inch

Pin spacing: 7.5/7.62 mm / 0.295/0.3 inch

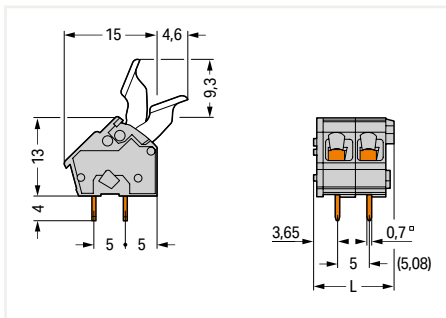
Pin spacing: 10/10.16 mm / 0.394/0.4 inch



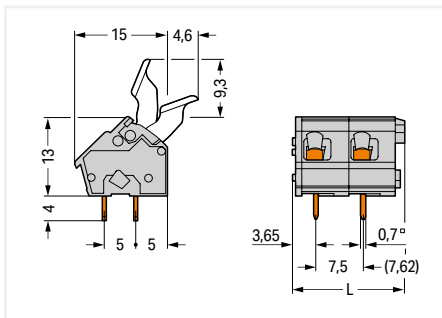
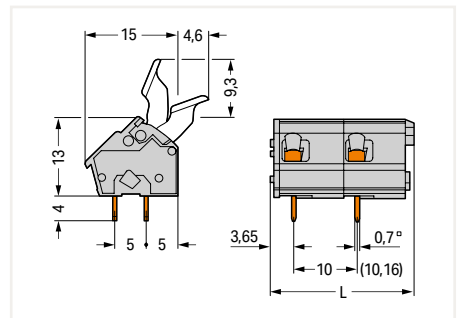
Pole No.	Item No.	PU (SPU)
2	256-402/333-000	400 (100)
3	256-403/333-000	280 (70)
4	256-404/333-000	200 (50)
5	256-405/333-000	160 (40)
6	256-406/333-000	140 (35)
7	256-407/333-000	120 (30)
8	256-408/333-000	100 (25)
9	256-409/333-000	100 (25)
10	256-410/333-000	80 (20)
12	256-412/333-000	60 (15)

Pole No.	Item No.	PU (SPU)
2	256-502/333-000	280 (70)
3	256-503/333-000	180 (45)
4	256-504/333-000	140 (35)
5	256-505/333-000	120 (30)
6	256-506/333-000	100 (25)
7	256-507/333-000	80 (20)
8	256-508/333-000	60 (15)
9	256-509/333-000	60 (15)
10	256-510/333-000	60 (15)
12	256-512/333-000	40 (10)

Pole No.	Item No.	PU (SPU)
2	256-602/333-000	200 (50)
3	256-603/333-000	140 (35)
4	256-604/333-000	100 (25)
5	256-605/333-000	80 (20)
6	256-606/333-000	60 (15)
7	256-607/333-000	60 (15)
8	256-608/333-000	60 (15)
9	256-609/333-000	40 (10)
10	256-610/333-000	40 (10)
12	256-612/333-000	40 (10)


 $L = (\text{pole no.} \times \text{pin spacing}) + 2.9 \text{ mm}$

For lengths greater than three poles, finger lever operation for center levers may not be possible due to finger size/spacing limitations.


 $L = (\text{pole no.} \times \text{pin spacing}) + 2.9 \text{ mm}$

 $L = (\text{pole no.} \times \text{pin spacing}) + 2.9 \text{ mm}$

PU = Packaging Unit; SPU = Subpackaging Unit; Dimensions in mm

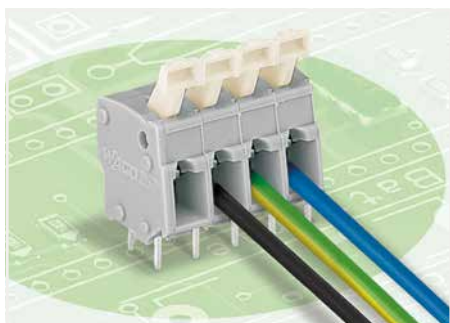
Other versions (or variants) can be requested from WAGO Sales or configured at <https://configurator.wago.com/>.

- Other pole numbers
- Versions for Ex e II and Ex i
- Other colors
- Mixed-color PCB connector strips
- Direct marking

Stackable PCB terminal block ▶ 257 Series

CAGE CLAMP® ▶ Actuation type: Push-button ▶ 2.5 mm²

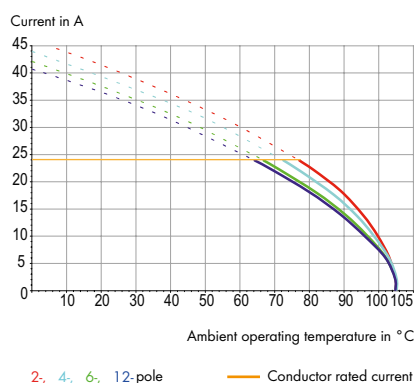
1



- PCB terminal blocks with push-buttons and CAGE CLAMP® connection
- Versions with Ex approval
- Set to metric or inch pin spacing by compressing PCB terminal strips or pulling them apart
- Ideal for in-the-field wiring thanks to simplified push-button actuation
- Convenient, tool-free operation

Current-Carrying Capacity Curve

Pin spacing: 5 mm / Conductor cross-section: 2.5 mm² "f-st"
Based on: EN 60512-5-2 / Reduction factor: 1



Electrical Data

Pin spacing	5/5.08 mm / 0.197/0.2 inch			7.5/7.62 mm / 0.295/0.3 inch			10/10.16 mm / 0.394/0.4 inch		
	IEC/EN 60664-1			IEC/EN 60664-1			IEC/EN 60664-1		
Ratings per									
Overtoltage category	III	III	II	III	III	II	III	III	II
Pollution degree	3	2	2	3	2	2	3	2	2
Rated voltage	250 V	320 V	630 V	400 V	630 V	1000 V	630 V	1000 V	1000 V
Rated impulse voltage	4 kV	4 kV	4 kV	6 kV	6 kV	6 kV	8 kV	8 kV	8 kV
Rated current	24 A	24 A	24 A	24 A	24 A	24 A	24 A	24 A	24 A

Approbations per	UL 1059			UL 1059			UL 1059		
	B	C	D	B	C	D	B	C	D
Use group	B	C	D	B	C	D	B	C	D
Rated voltage	300 V	-	300 V	300 V	-	300 V	300 V	-	300 V
Rated current	15 A	-	10 A	15 A	-	10 A	15 A	-	10 A

Approbations per	CSA			CSA			CSA		
	B	C	D	B	C	D	B	C	D
Use group	B	C	D	B	C	D	B	C	D
Rated voltage	300 V	-	300 V	300 V	-	300 V	300 V	-	300 V
Rated current	15 A	-	10 A	15 A	-	10 A	15 A	-	10 A

Connection Data

Connection technology	CAGE CLAMP®
Strip length	5 ... 6 mm / 0.2 ... 0.24 inch
Conductor connection direction to PCB	0°
Solid conductor	0.08 ... 2.5 mm ² / 28 ... 12 AWG
Fine-stranded conductor	0.08 ... 2.5 mm ² / 28 ... 12 AWG
Fine-stranded conductor; with insulated ferrule	0.25 ... 1.5 mm ²
Fine-stranded conductor; with uninsulated ferrule	0.25 ... 1.5 mm ²
Note (conductor cross-section)	12 AWG: THHN, THWN

Material Data

Material group	I
Insulation material	Polyamide (PA66)
Flammability class per UL94	V0
Clamping spring material	Chrome nickel spring steel (CrNi)
Contact material	Electrolytic copper (E _{cu})
Contact plating	Tin-plated

Mechanical Data

Solder pin arrangement	Within the terminal block (in-line)
Solder pin length	4 mm
Solder pin dimensions	0.7 x 0.7 mm
Drilled hole diameter with tolerance	1.1 ^(+0.1) mm

Environmental Requirements

Limit temperature range	-60 ... +105 °C
-------------------------	-----------------

Ferrule	Page 879
Marking	Page 865
Test and measurement	Page 258
Tool	Page 870
Commoning strips	Page 262

See technical section for further information

For approvals and corresponding ratings, visit www.wago.com

Stackable PCB terminal block ▶ 257 Series

CAGE CLAMP® ▶ Actuation type: Push-button ▶ 2.5 mm²

Pin spacing: 5/5.08 mm / 0.197/0.2 inch

Pin spacing: 7.5/7.62 mm / 0.295/0.3 inch

Pin spacing: 10/10.16 mm / 0.394/0.4 inch



257-401

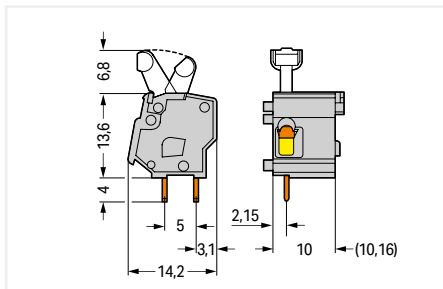
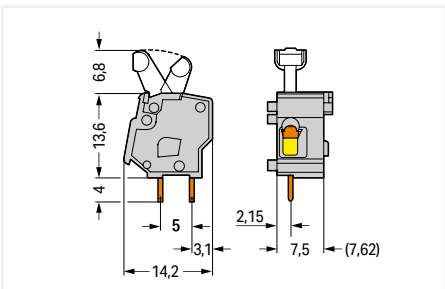
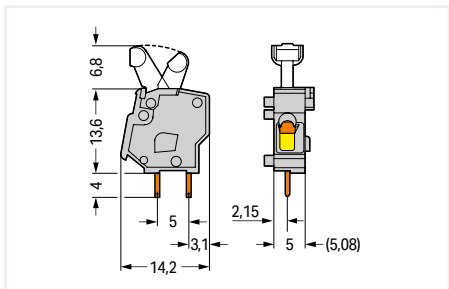
257-501

257-601

Color	Item No.	PU (SPU)
gray	257-401	500 (100)
blue	257-744	500 (100)
orange	257-746	500 (100)
light gray	257-743	500 (100)
light green	257-747	500 (100)
red	257-740	500 (100)
dark gray	257-742	500 (100)

Color	Item No.	PU (SPU)
gray	257-501	400 (100)
blue	257-754	400 (100)
orange	257-756	400 (100)
light gray	257-753	400 (100)
light green	257-757	400 (100)
red	257-750	400 (100)
dark gray	257-752	400 (100)

Color	Item No.	PU (SPU)
gray	257-601	300 (100)
blue	257-764	300 (100)
orange	257-766	300 (100)
light gray	257-763	300 (100)
light green	257-767	300 (100)
red	257-760	300 (100)
dark gray	257-762	300 (100)



Accessories; for all products on this page



End plate; Width: 1 mm; snap-on type

Color	Item No.	PU (SPU)
gray	257-100	2000 (100)
blue	257-400	2000 (100)
orange	257-600	2000 (100)
light gray	257-300	2000 (100)
light green	257-700	2000 (100)
red	257-500	2000 (100)
dark gray	257-200	2000 (100)



Intermediate plate; Extends pin spacing; Width: 5.08 mm / 0.2 inch

Color	Item No.	PU (SPU)
gray	257-801	500 (100)



Intermediate plate; Extends pin spacing; Width: 7.62 mm / 0.3 inch

Color	Item No.	PU (SPU)
gray	257-811	400 (100)



Intermediate plate; Extends pin spacing; Width: 10.16 mm / 0.4 inch

Color	Item No.	PU (SPU)
gray	257-821	300 (100)

PU = Packaging Unit; SPU = Subpackaging Unit; Dimensions in mm

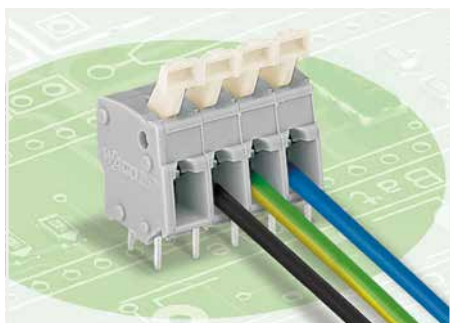
Other versions (or variants) can be requested from WAGO Sales or configured at <https://configurator.wago.com/>.

- Other colors
- Versions for Ex e II and Ex i

PCB terminal block ▶ 257 Series

CAGE CLAMP® ▶ Actuation type: Push-button ▶ 2.5 mm² ▶ Color: gray

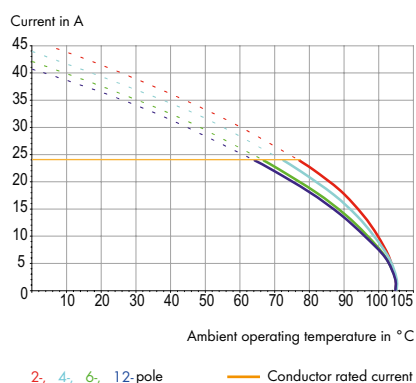
1



- PCB terminal blocks with push-buttons and CAGE CLAMP® connection
- Versions with Ex approval
- Set to metric or inch pin spacing by compressing PCB terminal strips or pulling them apart
- Ideal for in-the-field wiring thanks to simplified push-button actuation
- Convenient, tool-free operation

Current-Carrying Capacity Curve

Pin spacing: 5 mm / Conductor cross-section: 2.5 mm² "F-st"
Based on: EN 60512-5-2 / Reduction factor: 1



Electrical Data

Pin spacing	5/5.08 mm / 0.197/0.2 inch			7.5/7.62 mm / 0.295/0.3 inch			10/10.16 mm / 0.394/0.4 inch		
	IEC/EN 60664-1			IEC/EN 60664-1			IEC/EN 60664-1		
Ratings per	III	III	II	III	III	II	III	III	II
Oversoltage category	3	2	2	3	2	2	3	2	2
Pollution degree	250 V	320 V	630 V	400 V	630 V	1000 V	630 V	1000 V	1000 V
Rated voltage	4 kV	4 kV	4 kV	6 kV	6 kV	6 kV	8 kV	8 kV	8 kV
Rated impulse voltage	24 A	24 A	24 A	24 A	24 A	24 A	24 A	24 A	24 A
Rated current									

Approbations per	UL 1059			UL 1059			UL 1059		
	B	C	D	B	C	D	B	C	D
Use group	300 V	-	300 V	300 V	-	300 V	300 V	-	300 V
Rated voltage	15 A	-	10 A	15 A	-	10 A	15 A	-	10 A
Rated current									

Approbations per	CSA			CSA			CSA		
	B	C	D	B	C	D	B	C	D
Use group	300 V	-	300 V	300 V	-	300 V	300 V	-	300 V
Rated voltage	15 A	-	10 A	15 A	-	10 A	15 A	-	10 A
Rated current									

Connection Data

Connection technology	CAGE CLAMP®
Strip length	5 ... 6 mm / 0.2 ... 0.24 inch
Conductor connection direction to PCB	0°
Solid conductor	0.08 ... 2.5 mm ² / 28 ... 12 AWG
Fine-stranded conductor	0.08 ... 2.5 mm ² / 28 ... 12 AWG
Fine-stranded conductor; with insulated ferrule	0.25 ... 1.5 mm ²
Fine-stranded conductor; with uninsulated ferrule	0.25 ... 1.5 mm ²
Note (conductor cross-section)	12 AWG: THHN, THWN

Material Data

Material group	I
Insulation material	Polyamide (PA66)
Flammability class per UL94	V0
Clamping spring material	Chrome nickel spring steel (CrNi)
Contact material	Electrolytic copper (E _{cu})
Contact plating	Tin-plated

Mechanical Data

Solder pin arrangement	Over the entire terminal strip (in-line)
Solder pin length	4 mm
Solder pin dimensions	0.7 x 0.7 mm
Drilled hole diameter with tolerance	1.1 (+0.1) mm

Environmental Requirements

Limit temperature range	-60 ... +105 °C
-------------------------	-----------------

Ferrule	Page 879
Marking	Page 865
Test and measurement	Page 258
Tool	Page 870
Commoning strips	Page 262

See technical section for further information

For approvals and corresponding ratings, visit www.wago.com

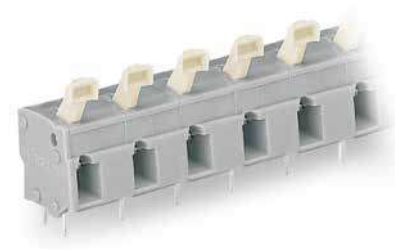
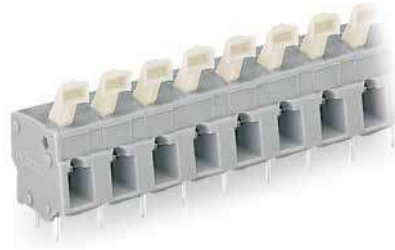
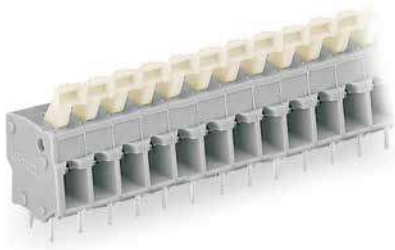
PCB terminal block ▶ 257 Series

CAGE CLAMP® ▶ Actuation type: Push-button ▶ 2.5 mm² ▶ Color: gray

Pin spacing: 5/5.08 mm / 0.197/0.2 inch

Pin spacing: 7.5/7.62 mm / 0.295/0.3 inch

Pin spacing: 10/10.16 mm / 0.394/0.4 inch

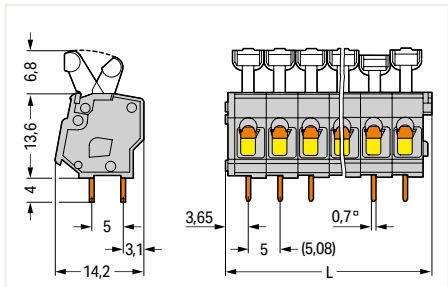


1

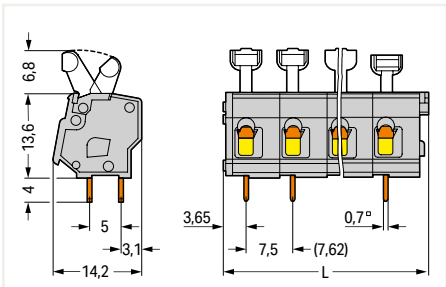
Pole No.	Item No.	PU (SPU)
2	257-402	400 (100)
3	257-403	280 (70)
4	257-404	220 (55)
5	257-405	180 (45)
6	257-406	140 (35)
7	257-407	120 (30)
8	257-408	100 (25)
9	257-409	100 (25)
10	257-410	80 (20)
12	257-412	80 (20)

Pole No.	Item No.	PU (SPU)
2	257-502	280 (70)
3	257-503	200 (50)
4	257-504	140 (35)
5	257-505	120 (30)
6	257-506	100 (25)
7	257-507	80 (20)
8	257-508	80 (20)
9	257-509	60 (15)
10	257-510	60 (15)
12	257-512	40 (10)

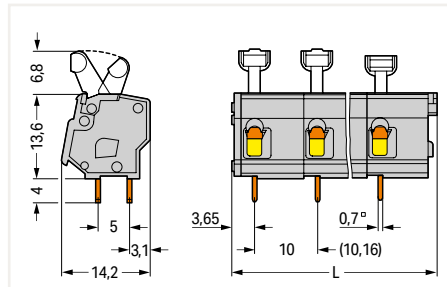
Pole No.	Item No.	PU (SPU)
2	257-602	200 (50)
3	257-603	140 (35)
4	257-604	100 (25)
5	257-605	80 (20)
6	257-606	80 (20)
7	257-607	60 (15)
8	257-608	60 (15)
9	257-609	40 (10)
10	257-610	40 (10)
12	257-612	40 (10)



L = (pole no. x pin spacing) + 2.9 mm



L = (pole no. x pin spacing) + 2.9 mm



L = (pole no. x pin spacing) + 2.9 mm

PU = Packaging Unit; SPU = Subpackaging Unit; Dimensions in mm

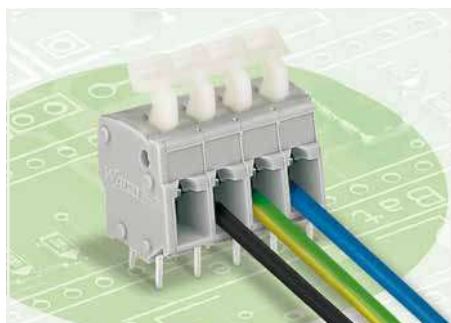
Other versions (or variants) can be requested from WAGO Sales or configured at <https://configurator.wago.com/>.

- Other pole numbers
- Versions for Ex e II and Ex i
- Other colors
- Mixed-color PCB connector strips
- Direct marking

Stackable PCB terminal block ▶ 257 Series

CAGE CLAMP® ▶ Actuation type: Push-button, angled ▶ 2.5 mm²

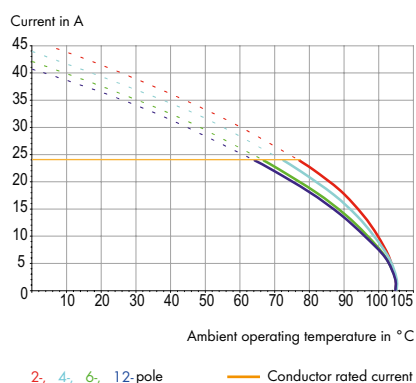
1



- PCB terminal blocks with push-buttons and CAGE CLAMP® connection
- Versions with Ex approval
- Set to metric or inch pin spacing by compressing PCB terminal strips or pulling them apart
- Ideal for in-the-field wiring thanks to simplified push-button actuation
- Convenient, tool-free operation

Current-Carrying Capacity Curve

Pin spacing: 5 mm / Conductor cross-section: 2.5 mm² "f-st"
Based on: EN 60512-5-2 / Reduction factor: 1



Electrical Data

Pin spacing	5/5.08 mm / 0.197/0.2 inch			7.5/7.62 mm / 0.295/0.3 inch			10/10.16 mm / 0.394/0.4 inch		
	IEC/EN 60664-1			IEC/EN 60664-1			IEC/EN 60664-1		
Ratings per									
Overvoltage category	III	III	II	III	III	II	III	III	II
Pollution degree	3	2	2	3	2	2	3	2	2
Rated voltage	250 V	320 V	630 V	400 V	630 V	1000 V	630 V	1000 V	1000 V
Rated impulse voltage	4 kV	4 kV	4 kV	6 kV	6 kV	6 kV	8 kV	8 kV	8 kV
Rated current	24 A	24 A	24 A	24 A	24 A	24 A	24 A	24 A	24 A

Approbations per	UL 1059			UL 1059			UL 1059		
	B	C	D	B	C	D	B	C	D
Use group	B	C	D	B	C	D	B	C	D
Rated voltage	300 V	-	300 V	300 V	-	300 V	300 V	-	300 V
Rated current	15 A	-	10 A	15 A	-	10 A	15 A	-	10 A

Approbations per	CSA			CSA			CSA		
	B	C	D	B	C	D	B	C	D
Use group	B	C	D	B	C	D	B	C	D
Rated voltage	300 V	-	300 V	300 V	-	300 V	300 V	-	300 V
Rated current	15 A	-	10 A	15 A	-	10 A	15 A	-	10 A

Connection Data

Connection technology	CAGE CLAMP®
Strip length	5 ... 6 mm / 0.2 ... 0.24 inch
Conductor connection direction to PCB	0°
Solid conductor	0.08 ... 2.5 mm ² / 28 ... 12 AWG
Fine-stranded conductor	0.08 ... 2.5 mm ² / 28 ... 12 AWG
Fine-stranded conductor; with insulated ferrule	0.25 ... 1.5 mm ²
Fine-stranded conductor; with uninsulated ferrule	0.25 ... 1.5 mm ²
Note (conductor cross-section)	12 AWG: THHN, THWN

Material Data

Material group	I
Insulation material	Polyamide (PA66)
Flammability class per UL94	V0
Clamping spring material	Chrome nickel spring steel (CrNi)
Contact material	Electrolytic copper (E _{cu})
Contact plating	Tin-plated

Mechanical Data

Solder pin arrangement	Within the terminal block (in-line)
Solder pin length	4 mm
Solder pin dimensions	0.7 x 0.7 mm
Drilled hole diameter with tolerance	1.1 (+0.1) mm

Environmental Requirements

Limit temperature range	-60 ... +105 °C
-------------------------	-----------------

Ferrule	Page 879
Marking	Page 865
Test and measurement	Page 258
Tool	Page 870
Commoning strips	Page 262

See technical section for further information

For approvals and corresponding ratings, visit www.wago.com

Stackable PCB terminal block ▶ 257 Series

CAGE CLAMP® ▶ Actuation type: Push-button, angled ▶ 2.5 mm²

Pin spacing: 5/5.08 mm / 0.197/0.2 inch

Pin spacing: 7.5/7.62 mm / 0.295/0.3 inch

Pin spacing: 10/10.16 mm / 0.394/0.4 inch



257-451

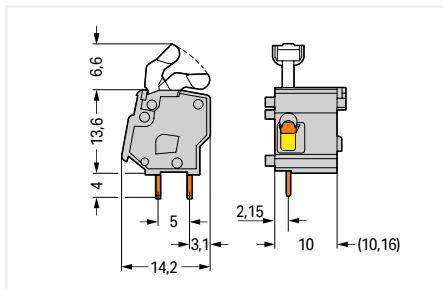
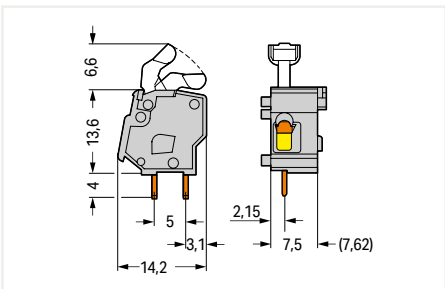
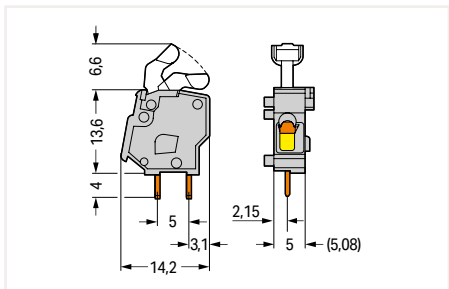
257-551

257-651

Color	Item No.	PU (SPU)
gray	257-451	500 (100)
blue	257-844	500 (100)
orange	257-846	500 (100)
light gray	257-843	500 (100)
light green	257-847	500 (100)
red	257-840	500 (100)
dark gray	257-842	500 (100)

Color	Item No.	PU (SPU)
gray	257-551	400 (100)
blue	257-854	400 (100)
orange	257-856	400 (100)
light gray	257-853	400 (100)
light green	257-857	400 (100)
red	257-850	400 (100)
dark gray	257-852	400 (100)

Color	Item No.	PU (SPU)
gray	257-651	300 (100)
blue	257-864	300 (100)
orange	257-866	300 (100)
light gray	257-863	300 (100)
light green	257-867	300 (100)
red	257-860	300 (100)
dark gray	257-862	300 (100)



Accessories; for all products on this page



End plate; Width: 1 mm; snap-on type

Color	Item No.	PU (SPU)
gray	257-100	2000 (100)
blue	257-400	2000 (100)
orange	257-600	2000 (100)
light gray	257-300	2000 (100)
light green	257-700	2000 (100)
red	257-500	2000 (100)
dark gray	257-200	2000 (100)



Intermediate plate; Extends pin spacing; Width: 5.08 mm / 0.2 inch

Color	Item No.	PU (SPU)
gray	257-801	500 (100)



Intermediate plate; Extends pin spacing; Width: 7.62 mm / 0.3 inch

Color	Item No.	PU (SPU)
gray	257-811	400 (100)



Intermediate plate; Extends pin spacing; Width: 10.16 mm / 0.4 inch

Color	Item No.	PU (SPU)
gray	257-821	300 (100)

PU = Packaging Unit; SPU = Subpackaging Unit; Dimensions in mm

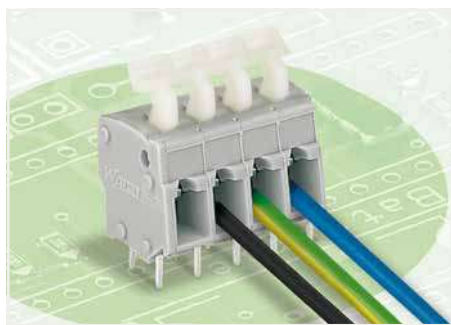
Other versions (or variants) can be requested from WAGO Sales or configured at <https://configurator.wago.com/>.

- Other colors
- Versions for Ex e II and Ex i

PCB terminal block ▶ 257 Series

CAGE CLAMP® ▶ Actuation type: Push-button, angled ▶ 2.5 mm² ▶ Color: gray

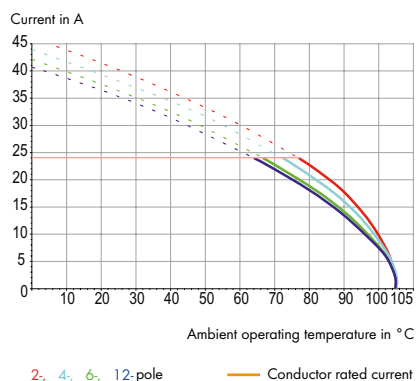
1



- PCB terminal blocks with push-buttons and CAGE CLAMP® connection
- Versions with Ex approval
- Set to metric or inch pin spacing by compressing PCB terminal strips or pulling them apart
- Ideal for in-the-field wiring thanks to simplified push-button actuation
- Convenient, tool-free operation

Current-Carrying Capacity Curve

Pin spacing: 5 mm / Conductor cross-section: 2.5 mm² "f-st"
Based on: EN 60512-5-2 / Reduction factor: 1



Electrical Data

Pin spacing	5/5.08 mm / 0.197/0.2 inch			7.5/7.62 mm / 0.295/0.3 inch			10/10.16 mm / 0.394/0.4 inch		
	IEC/EN 60664-1			IEC/EN 60664-1			IEC/EN 60664-1		
Ratings per	III	III	II	III	III	II	III	III	II
Oversoltage category	3	2	2	3	2	2	3	2	2
Pollution degree	250 V	320 V	630 V	400 V	630 V	1000 V	630 V	1000 V	1000 V
Rated voltage	4 kV	4 kV	4 kV	6 kV	6 kV	6 kV	8 kV	8 kV	8 kV
Rated impulse voltage	24 A	24 A	24 A	24 A	24 A	24 A	24 A	24 A	24 A
Rated current									

Approptions per	UL 1059			UL 1059			UL 1059		
	B	C	D	B	C	D	B	C	D
Use group	300 V	-	300 V	300 V	-	300 V	300 V	-	300 V
Rated voltage	15 A	-	10 A	15 A	-	10 A	15 A	-	10 A
Rated current									

Approptions per	CSA			CSA			CSA		
	B	C	D	B	C	D	B	C	D
Use group	300 V	-	300 V	300 V	-	300 V	300 V	-	300 V
Rated voltage	15 A	-	10 A	15 A	-	10 A	15 A	-	10 A
Rated current									

Connection Data

Connection technology	CAGE CLAMP®
Strip length	5 ... 6 mm / 0.2 ... 0.24 inch
Conductor connection direction to PCB	0°
Solid conductor	0.08 ... 2.5 mm ² / 28 ... 12 AWG
Fine-stranded conductor	0.08 ... 2.5 mm ² / 28 ... 12 AWG
Fine-stranded conductor; with insulated ferrule	0.25 ... 1.5 mm ²
Fine-stranded conductor; with uninsulated ferrule	0.25 ... 1.5 mm ²
Note (conductor cross-section)	12 AWG: THHN, THWN

Material Data

Material group	I
Insulation material	Polyamide (PA66)
Flammability class per UL94	V0
Clamping spring material	Chrome nickel spring steel (CrNi)
Contact material	Electrolytic copper (E _{cu})
Contact plating	Tin-plated

Mechanical Data

Solder pin arrangement	Over the entire terminal strip (in-line)
Solder pin length	4 mm
Solder pin dimensions	0.7 x 0.7 mm
Drilled hole diameter with tolerance	1.1 (+0.1) mm

Environmental Requirements

Limit temperature range	-60 ... +105 °C
-------------------------	-----------------

Ferrule	Page 879
Marking	Page 865
Test and measurement	Page 258
Tool	Page 870
Commoning strips	Page 262

See technical section for further information

For approvals and corresponding ratings, visit www.wago.com

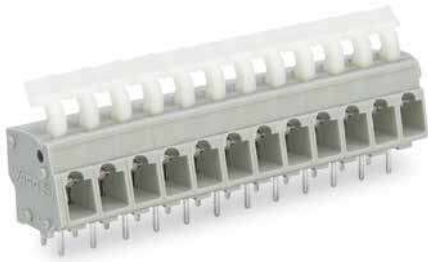
PCB terminal block ▶ 257 Series

CAGE CLAMP® ▶ Actuation type: Push-button, angled ▶ 2.5 mm² ▶ Color: gray

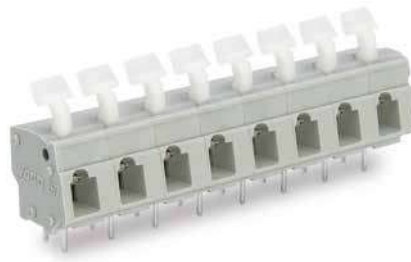
Pin spacing: 5/5.08 mm / 0.197/0.2 inch

Pin spacing: 7.5/7.62 mm / 0.295/0.3 inch

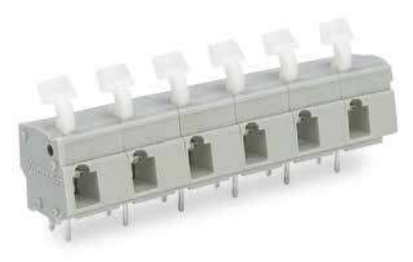
Pin spacing: 10/10.16 mm / 0.394/0.4 inch



257-462



257-558

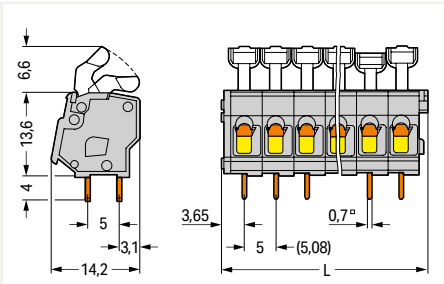


257-656

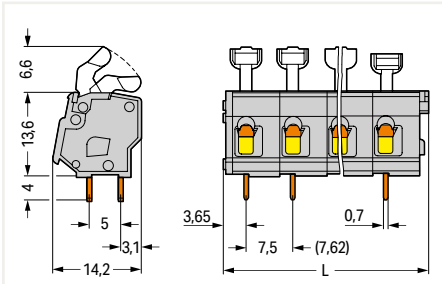
Pole No.	Item No.	PU (SPU)
2	257-452	400 (100)
3	257-453	280 (70)
4	257-454	220 (55)
5	257-455	180 (45)
6	257-456	140 (35)
7	257-457	120 (30)
8	257-458	100 (25)
9	257-459	100 (25)
10	257-460	80 (20)
12	257-462	80 (20)

Pole No.	Item No.	PU (SPU)
2	257-552	280 (70)
3	257-553	200 (50)
4	257-554	140 (35)
5	257-555	120 (30)
6	257-556	100 (25)
7	257-557	80 (20)
8	257-558	80 (20)
9	257-559	60 (15)
10	257-560	60 (15)
12	257-562	40 (10)

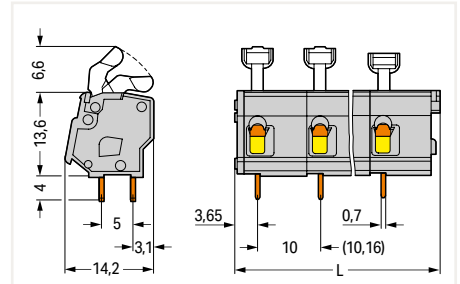
Pole No.	Item No.	PU (SPU)
2	257-652	220 (55)
3	257-653	140 (35)
4	257-654	100 (25)
5	257-655	80 (20)
6	257-656	80 (20)
7	257-657	60 (15)
8	257-658	60 (15)
9	257-659	40 (10)
10	257-660	40 (10)
12	257-662	40 (10)



$L = (\text{pole no.} \times \text{pin spacing}) + 2.9 \text{ mm}$



$L = (\text{pole no.} \times \text{pin spacing}) + 2.9 \text{ mm}$



$L = (\text{pole no.} \times \text{pin spacing}) + 2.9 \text{ mm}$

PU = Packaging Unit; SPU = Subpackaging Unit; Dimensions in mm

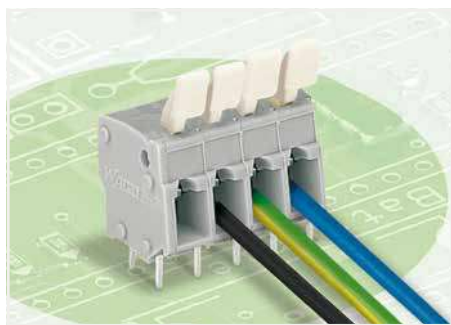
Other versions (or variants) can be requested from WAGO Sales or configured at <https://configurator.wago.com/>.

- Other pole numbers
- Versions for Ex e II and Ex i
- Other colors
- Mixed-color PCB connector strips
- Direct marking

PCB terminal block ▶ 257 Series

CAGE CLAMP® ▶ Actuation type: Finger-operated lever ▶ 2.5 mm² ▶ Color: gray

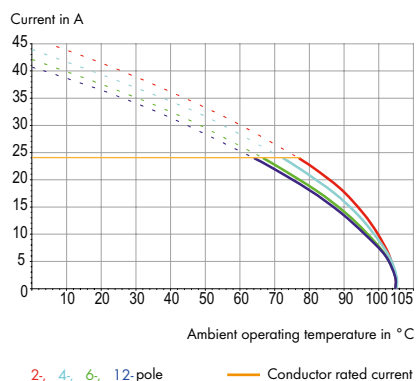
1



- PCB terminal blocks with push-buttons and CAGE CLAMP® connection
- Versions with Ex approval
- Set to metric or inch pin spacing by compressing PCB terminal strips or pulling them apart
- Ideal for in-the-field wiring thanks to simplified push-button actuation
- Convenient, tool-free operation

Current-Carrying Capacity Curve

Pin spacing: 5 mm / Conductor cross-section: 2.5 mm² "F-st"
Based on: EN 60512-5-2 / Reduction factor: 1



Electrical Data

Pin spacing	5/5.08 mm / 0.197/0.2 inch			7.5/7.62 mm / 0.295/0.3 inch			10/10.16 mm / 0.394/0.4 inch		
	IEC/EN 60664-1			IEC/EN 60664-1			IEC/EN 60664-1		
Ratings per									
Oversoltage category	III	III	II	III	III	II	III	III	II
Pollution degree	3	2	2	3	2	2	3	2	2
Rated voltage	250 V	320 V	630 V	400 V	630 V	1000 V	630 V	1000 V	1000 V
Rated impulse voltage	4 kV	4 kV	4 kV	6 kV	6 kV	6 kV	8 kV	8 kV	8 kV
Rated current	24 A	24 A	24 A	24 A	24 A	24 A	24 A	24 A	24 A

Approbations per	UL 1059			UL 1059			UL 1059		
	B	C	D	B	C	D	B	C	D
Use group	B	C	D	B	C	D	B	C	D
Rated voltage	300 V	-	300 V	300 V	-	300 V	300 V	-	300 V
Rated current	15 A	-	10 A	15 A	-	10 A	15 A	-	10 A

Approbations per	CSA			CSA			CSA		
	B	C	D	B	C	D	B	C	D
Use group	B	C	D	B	C	D	B	C	D
Rated voltage	300 V	-	300 V	300 V	-	300 V	300 V	-	300 V
Rated current	15 A	-	10 A	15 A	-	10 A	15 A	-	10 A

Connection Data

Connection technology	CAGE CLAMP®
Strip length	5 ... 6 mm / 0.2 ... 0.24 inch
Conductor connection direction to PCB	0°
Solid conductor	0.08 ... 2.5 mm ² / 28 ... 12 AWG
Fine-stranded conductor	0.08 ... 2.5 mm ² / 28 ... 12 AWG
Fine-stranded conductor; with insulated ferrule	0.25 ... 1.5 mm ²
Fine-stranded conductor; with uninsulated ferrule	0.25 ... 1.5 mm ²
Note (conductor cross-section)	12 AWG: THHN, THWN

Material Data

Material group	I
Insulation material	Polyamide (PA66)
Flammability class per UL94	V0
Clamping spring material	Chrome nickel spring steel (CrNi)
Contact material	Electrolytic copper (E _{cu})
Contact plating	Tin-plated

Mechanical Data

Solder pin arrangement	Over the entire terminal strip (in-line)
Solder pin length	4 mm
Solder pin dimensions	0.7 x 0.7 mm
Drilled hole diameter with tolerance	1.1 ^(+0.1) mm

Environmental Requirements

Limit temperature range	-60 ... +105 °C
-------------------------	-----------------

Ferrule	Page 879
---------	----------

Marking	Page 865
---------	----------

Test and measurement	Page 258
----------------------	----------

Commoning strips	Page 262
------------------	----------

See technical section for further information	
---	--

For approvals and corresponding ratings, visit www.wago.com	
---	--

PCB terminal block ▶ 257 Series

CAGE CLAMP® ▶ Actuation type: Finger-operated lever ▶ 2.5 mm² ▶ Color: gray

Pin spacing: 5/5.08 mm / 0.197/0.2 inch

Pin spacing: 7.5/7.62 mm / 0.295/0.3 inch

Pin spacing: 10/10.16 mm / 0.394/0.4 inch



257-402/333-000



257-502/333-000

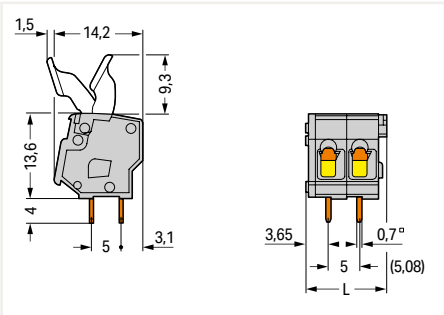


257-602/333-000

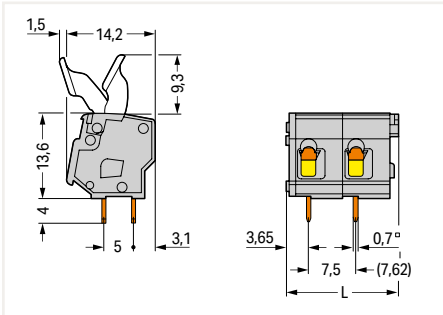
Pole No.	Item No.	PU (SPU)
2	257-402/333-000	400 (100)
3	257-403/333-000	280 (70)
4	257-404/333-000	220 (55)
5	257-405/333-000	180 (45)
6	257-406/333-000	140 (35)
7	257-407/333-000	120 (30)
8	257-408/333-000	100 (25)
9	257-409/333-000	100 (25)
10	257-410/333-000	80 (20)
12	257-412/333-000	80 (20)

Pole No.	Item No.	PU (SPU)
2	257-502/333-000	280 (70)
3	257-503/333-000	200 (50)
4	257-504/333-000	140 (35)
5	257-505/333-000	120 (30)
6	257-506/333-000	100 (25)
7	257-507/333-000	80 (20)
8	257-508/333-000	80 (20)
9	257-509/333-000	60 (15)
10	257-510/333-000	60 (15)
12	257-512/333-000	40 (10)

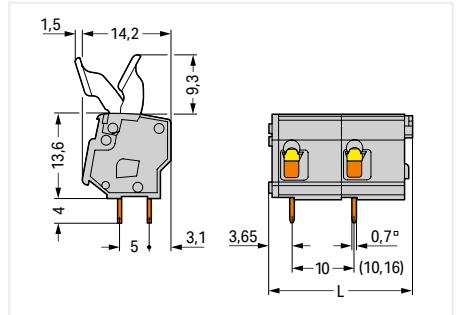
Pole No.	Item No.	PU (SPU)
2	257-602/333-000	220 (55)
3	257-603/333-000	140 (35)
4	257-604/333-000	100 (25)
5	257-605/333-000	80 (20)
6	257-606/333-000	80 (20)
7	257-607/333-000	60 (15)
8	257-608/333-000	60 (15)
9	257-609/333-000	40 (10)
10	257-610/333-000	40 (10)
12	257-612/333-000	40 (10)



L = (pole no. x pin spacing) + 2.9 mm
 For lengths greater than three poles, finger lever operation for center levers may not be possible due to finger size/spacing limitations.



L = (pole no. x pin spacing) + 2.9 mm



L = (pole no. x pin spacing) + 2.9 mm

PU = Packaging Unit; SPU = Subpackaging Unit; Dimensions in mm

Other versions (or variants) can be requested from WAGO Sales or configured at <https://configurator.wago.com/>.

- Other pole numbers
- Versions for Ex e II and Ex i
- Other colors
- Mixed-color PCB connector strips
- Direct marking

2706 and 2716 Series Description and Installation

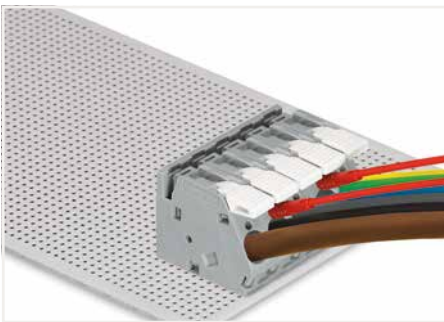
1



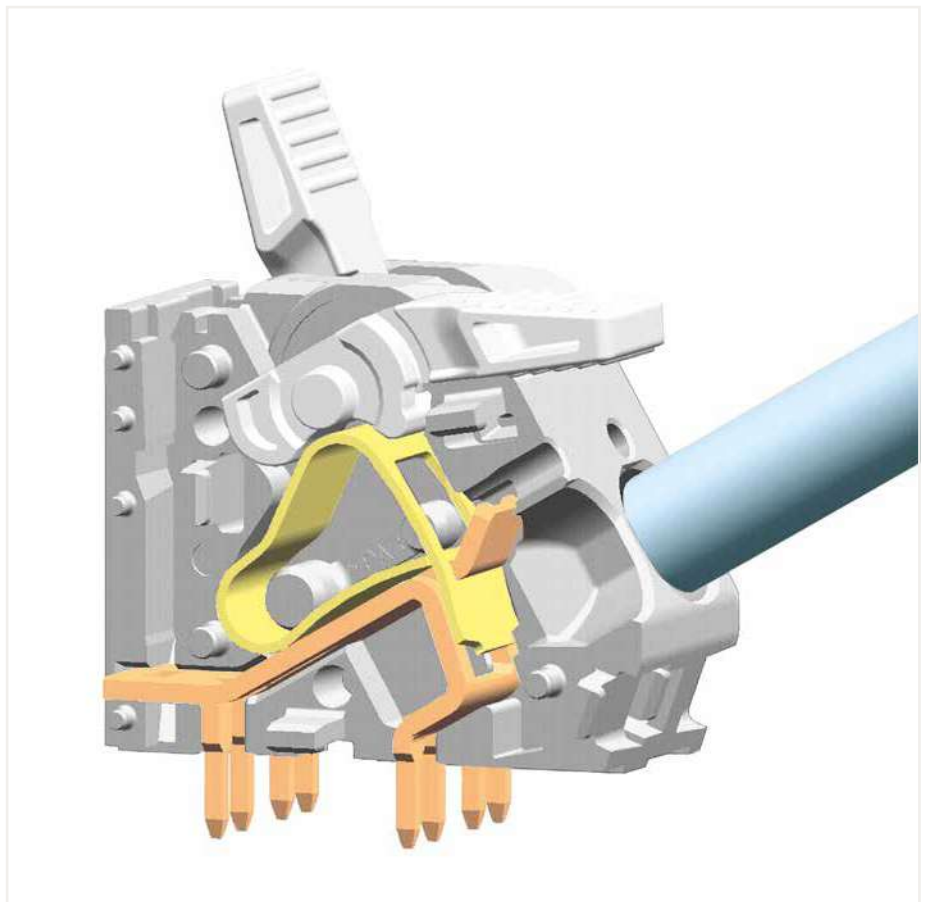
To open the clamping unit, pull the operating lever all the way back – 2706 and 2716 Series.



Inserting/removing a conductor – 2706 and 2716 Series.



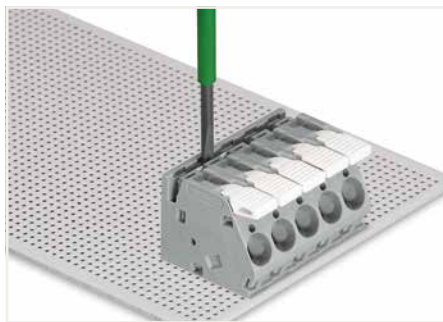
Testing with test plug – 2706 and 2716 Series.



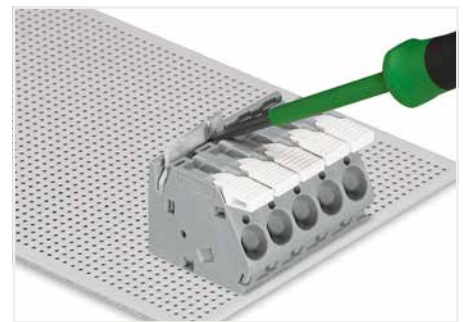
2706 and 2716 Series



Insert the comb-style jumper bar.



Push jumper bar down firmly using a screwdriver until it hits the backstop – 2706 and 2716 Series.



To remove the comb-style jumper bar, lift it up using a screwdriver – 2706 and 2716 Series.

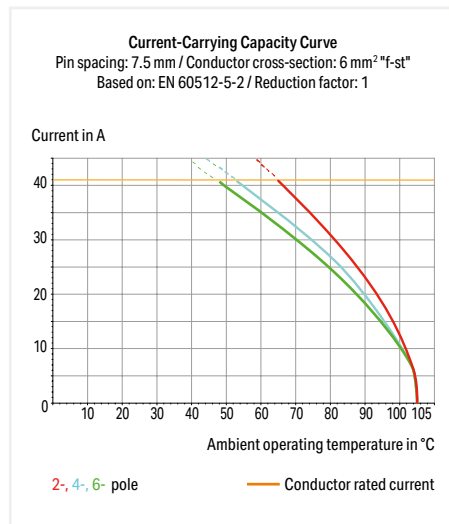
PCB terminal block ▶ 2706 Series

CAGE CLAMP® ▶ Actuation type: Lever ▶ 6 mm² ▶ Color: gray

1



- High-current PCB terminal strips with lever-actuated CAGE CLAMP® connection
- Tool-free termination – fingers open/close levers
- Several clamping units can be held open simultaneously – convenient for terminating multi-core cables
- Two solder pins per contact point for high mechanical stability
- 600 V UL for 12.5 mm pin spacing

**Electrical Data**

Pin spacing	7.5 mm / 0.295 inch			10 mm / 0.394 inch			12.5 mm / 0.492 inch		
Ratings per	IEC/EN 60664-1								
Overvoltage category	III	III	II	III	III	II	III	III	II
Pollution degree	3	2	2	3	2	2	3	2	2
Rated voltage	500 V	630 V	1000 V	800 V	1000 V	1000 V	1000 V	1000 V	1000 V
Rated impulse voltage	6 kV	6 kV	6 kV	8 kV	8 kV	8 kV	8 kV	8 kV	8 kV
Rated current	41 A	41 A	41 A	41 A	41 A	41 A	41 A	41 A	41 A
Approbations per	UL 1059			UL 1059			UL 1059		
Use group	B	C	D	B	C	D	B	C	D
Rated voltage	300 V	150 V	300 V	300 V	150 V	600 V	300 V	600 V	-
Rated current	30 A	30 A	30 A	30 A	30 A	5 A	30 A	30 A	-

Connection Data

Connection technology	CAGE CLAMP®
Strip length	11 ... 12 mm / 0.43 ... 0.47 inch
Conductor connection direction to PCB	30°
Solid conductor	0.5 ... 6 mm ² / 20 ... 10 AWG
Fine-stranded conductor	0.5 ... 6 mm ² / 20 ... 10 AWG
Fine-stranded conductor; with insulated ferrule	0.5 ... 6 mm ²
Fine-stranded conductor; with uninsulated ferrule	0.5 ... 6 mm ²

Material Data

Material group	I
Insulation material	Polyamide (PA66)
Flammability class per UL94	V0
Clamping spring material	Chrome nickel spring steel (CrNi)
Contact material	Electrolytic copper (E ₀)
Contact plating	Tin-plated

Mechanical Data

Solder pin arrangement	Over the entire terminal strip (in-line)
Solder pin length	4.5 mm
Solder pin dimensions	1 x 1.4 mm
Drilled hole diameter with tolerance	1.8 ^(+0.1) mm

Environmental Requirements

Limit temperature range	-60 ... +105 °C
-------------------------	-----------------

Ferrule Page 879

Test and measurement Page 886

See technical section for further information

For approvals and corresponding ratings, visit www.wago.com

PCB terminal block ▶ 2706 Series CAGE CLAMP® ▶ Actuation type: Lever ▶ 6 mm² ▶ Color: gray

Pin spacing: 7.5 mm / 0.295 inch

Pin spacing: 10 mm / 0.394 inch

Pin spacing: 12.5 mm / 0.492 inch



2706-104

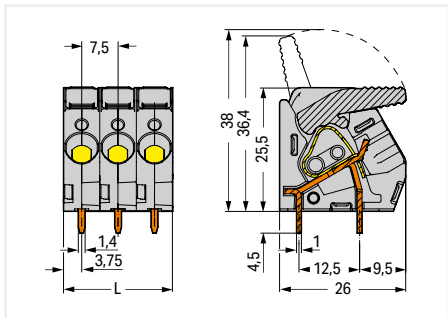
2706-204

2706-304

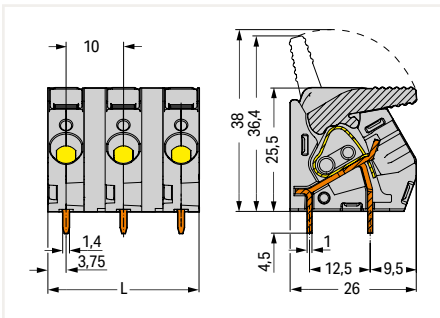
Pole No.	Item No.	PU
2	2706-102	85
3	2706-103	55
4	2706-104	40
5	2706-105	30
6	2706-106	25
7	2706-107	20
8	2706-108	20
9	2706-109	15
10	2706-110	15
11	2706-111	15
12	2706-112	10

Pole No.	Item No.	PU
2	2706-202	70
3	2706-203	45
4	2706-204	30
5	2706-205	25
6	2706-206	20
7	2706-207	15
8	2706-208	15
9	2706-209	10
10	2706-210	10
11	2706-211	10
12	2706-212	10

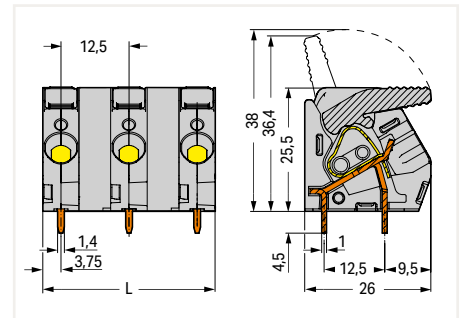
Pole No.	Item No.	PU
2	2706-302	65
3	2706-303	40
4	2706-304	25
5	2706-305	20
6	2706-306	15
7	2706-307	15
8	2706-308	10
9	2706-309	10
10	2706-310	10
11	2706-311	5
12	2706-312	5



L = pole no. x pin spacing



L = (pole no. x pin spacing) – 2.5 mm



L = (pole no. x pin spacing) – 5 mm

PU = Packaging Unit; SPU = Subpackaging Unit; Dimensions in mm

Other versions (or variants) can be requested from WAGO Sales or configured at <https://configurator.wago.com/>.

- Other pole numbers
- Other colors
- Mixed-color PCB connector strips
- Direct marking

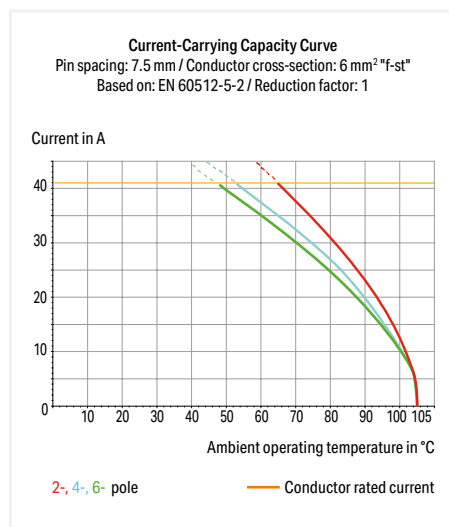
PCB terminal block ▶ 2706 Series

CAGE CLAMP® ▶ Actuation type: Lever ▶ Number of jumper slots: 1 ▶ 6 mm² ▶ Color: gray

1



- High-current PCB terminal strips with lever-actuated CAGE CLAMP® connection
- Tool-free termination – fingers open/close levers
- Several clamping units can be held open simultaneously – convenient for terminating multi-core cables
- Two solder pins per contact point for high mechanical stability
- Versions with optional commoning for distributing potentials



Electrical Data

Pin spacing	7.5 mm / 0.295 inch			10 mm / 0.394 inch		
Ratings per	IEC/EN 60664-1					
Overvoltage category	III	III	II	III	III	II
Pollution degree	3	2	2	3	2	2
Rated voltage	500 V	630 V	1000 V	800 V	1000 V	1000 V
Rated impulse voltage	6 kV	6 kV	6 kV	8 kV	8 kV	8 kV
Rated current	41 A	41 A	41 A	41 A	41 A	41 A
Approbations per	UL 1059			UL 1059		
Use group	B	C	D	B	C	D
Rated voltage	300 V	150 V	300 V	300 V	300 V	600 V
Rated current	30 A	30 A	30 A	30 A	30 A	5 A

Connection Data

Connection technology	CAGE CLAMP®
Strip length	11 ... 12 mm / 0.43 ... 0.47 inch
Conductor connection direction to PCB	30°
Solid conductor	0.5 ... 6 mm ² / 20 ... 10 AWG
Fine-stranded conductor	0.5 ... 6 mm ² / 20 ... 10 AWG
Fine-stranded conductor; with insulated ferrule	0.5 ... 6 mm ²
Fine-stranded conductor; with uninsulated ferrule	0.5 ... 6 mm ²

Material Data

Material group	I
Insulation material	Polyamide (PA66)
Flammability class per UL94	V0
Clamping spring material	Chrome nickel spring steel (CrNi)
Contact material	Electrolytic copper (E ₀)
Contact plating	Tin-plated

Mechanical Data

Solder pin arrangement	Over the entire terminal strip (in-line)
Solder pin length	4.5 mm
Solder pin dimensions	1 x 1.4 mm
Drilled hole diameter with tolerance	1.8 ^(+0.1) mm

Environmental Requirements

Limit temperature range	-60 ... +105 °C
-------------------------	-----------------

Ferrule Page 879

Jumper Page 259

Test and measurement Page 886

See technical section for further information

For approvals and corresponding ratings, visit www.wago.com

PCB terminal block ▶ 2706 Series

CAGE CLAMP® ▶ Actuation type: Lever ▶ Number of jumper slots: 1 ▶ 6 mm² ▶ Color: gray

Pin spacing: 7.5 mm / 0.295 inch

Pin spacing: 10 mm / 0.394 inch

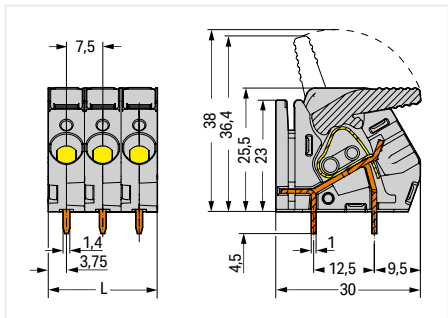


2706-154

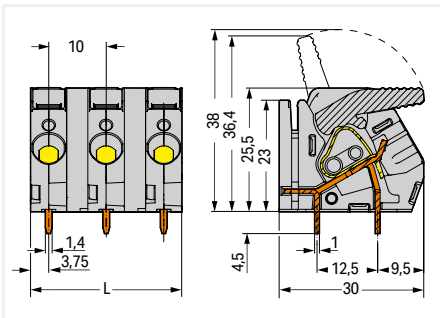
2706-254

Pole No.	Item No.	PU
2	2706-152	85
3	2706-153	55
4	2706-154	40
5	2706-155	30
6	2706-156	25
7	2706-157	20
8	2706-158	20
9	2706-159	15
10	2706-160	15
11	2706-161	15
12	2706-162	10

Pole No.	Item No.	PU
2	2706-252	70
3	2706-253	45
4	2706-254	30
5	2706-255	25
6	2706-256	20
7	2706-257	15
8	2706-258	15
9	2706-259	10
10	2706-260	10
11	2706-261	10
12	2706-262	10



L = pole no. x pin spacing



L = (pole no. x pin spacing) - 2.5 mm

PU = Packaging Unit; SPU = Subpackaging Unit; Dimensions in mm

Other versions (or variants) can be requested from WAGO Sales or configured at <https://configurator.wago.com/>.

- Other pole numbers
- Other colors
- Mixed-color PCB connector strips
- Direct marking

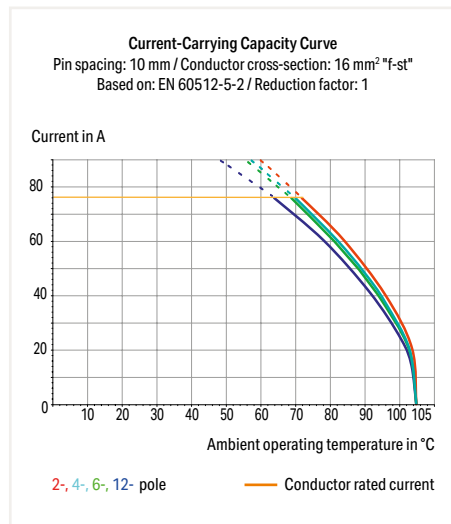
PCB terminal block ▶ 2716 Series

CAGE CLAMP® ▶ Actuation type: Lever ▶ 16 mm² ▶ Color: gray

1



- High-current PCB terminal strips with lever-actuated CAGE CLAMP® connection
- Tool-free termination – fingers open/close levers
- Several clamping units can be held open simultaneously – convenient for terminating multi-core cables
- Four solder pins per contact point provide high mechanical stability
- 600 V UL for 15 mm pin spacing
- Pin and dimensions compatible to high-current, screw-type terminal blocks

**Electrical Data**

Pin spacing	10 mm / 0.394 inch			15 mm / 0.591 inch		
Ratings per	IEC/EN 60664-1					
Overvoltage category	III	III	II	III	III	II
Pollution degree	3	2	2	3	2	2
Rated voltage	320 V	320 V	630 V	800 V	1000 V	1000 V
Rated impulse voltage	4 kV	4 kV	4 kV	8 kV	8 kV	8 kV
Rated current	76 A	76 A	76 A	76 A	76 A	76 A
Approbations per	UL 1059			UL 1059		
Use group	B	C	D	B	C	D
Rated voltage	300 V	150 V	300 V	600 V	600 V	-
Rated current	55 A	55 A	10 A	65 A	65 A	-

Connection Data

Connection technology	CAGE CLAMP®
Strip length	12 ... 13 mm / 0.47 ... 0.51 inch
Conductor connection direction to PCB	30°
Solid conductor	1.5 ... 16 mm ² / 16 ... 6 AWG
Fine-stranded conductor	1.5 ... 16 mm ² / 16 ... 6 AWG
Fine-stranded conductor; with insulated ferrule	1.5 ... 10 mm ²
Fine-stranded conductor; with uninsulated ferrule	1.5 ... 10 mm ²

Material Data

Material group	I
Insulation material	Polyamide (PA66)
Flammability class per UL94	V0
Clamping spring material	Chrome nickel spring steel (CrNi)
Contact material	Electrolytic copper (E ₀)
Contact plating	Tin-plated

Mechanical Data

Solder pin arrangement	Over the entire terminal strip (in-line)
Solder pin length	4.5 mm
Solder pin dimensions	0.95 x 1.2 mm
Drilled hole diameter with tolerance	1.6 ^(+0.1) mm

Environmental Requirements

Limit temperature range	-60 ... +105 °C
-------------------------	-----------------

Ferrule Page 879

Test and measurement Page 886

See technical section for further information

For approvals and corresponding ratings, visit www.wago.com

PCB terminal block ▶ 2716 Series

CAGE CLAMP® ▶ Actuation type: Lever ▶ 16 mm² ▶ Color: gray

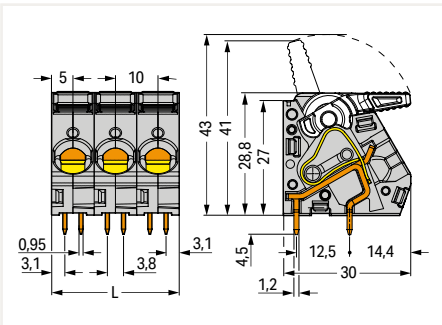
Pin spacing: 10 mm / 0.394 inch

Pin spacing: 15 mm / 0.591 inch

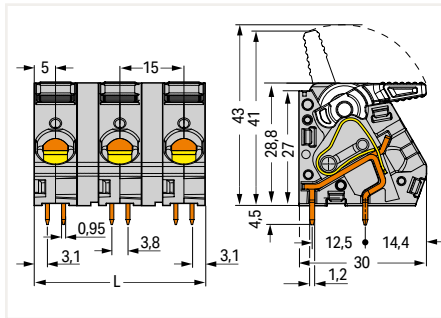


2716-104

Pole No.	Item No.	PU	Pole No.	Item No.	PU
2	2716-102	65	2	2716-202	50
3	2716-103	40	3	2716-203	30
4	2716-104	30	4	2716-204	20
5	2716-105	25	5	2716-205	15
6	2716-106	20	6	2716-206	15
7	2716-107	15	7	2716-207	10
8	2716-108	15	8	2716-208	10



L = pole no. x pin spacing



L = (pole no. x pin spacing) - 5 mm

PU = Packaging Unit; SPU = Subpackaging Unit; Dimensions in mm

Other versions (or variants) can be requested from WAGO Sales or configured at <https://configurator.wago.com/>.

- Other pole numbers
- Other colors
- Mixed-color PCB connector strips
- Direct marking

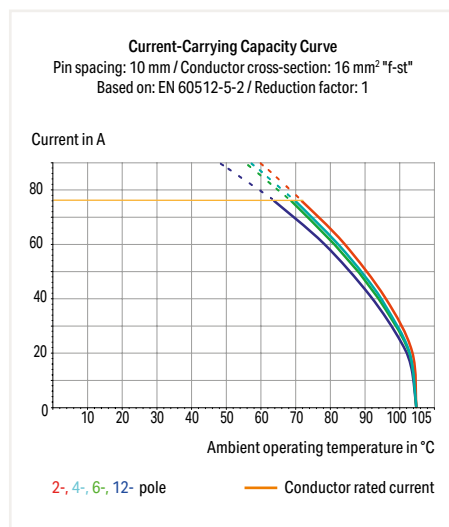
PCB terminal block ▶ 2716 Series

CAGE CLAMP® ▶ Actuation type: Lever ▶ Number of jumper slots: 1 ▶ 16 mm² ▶ Color: gray

1



- High-current PCB terminal strips with lever-actuated CAGE CLAMP® connection
- Tool-free termination – fingers open/close levers
- Several clamping units can be held open simultaneously – convenient for terminating multi-core cables
- Four solder pins per contact point provide high mechanical stability
- 600 V UL for 15 mm pin spacing
- Versions with optional commoning for distributing potentials

**Electrical Data**

Pin spacing	10 mm / 0.394 inch			15 mm / 0.591 inch		
Ratings per	IEC/EN 60664-1					
Overvoltage category	III	III	II	III	III	II
Pollution degree	3	2	2	3	2	2
Rated voltage	320 V	320 V	630 V	800 V	1000 V	1000 V
Rated impulse voltage	4 kV	4 kV	4 kV	8 kV	8 kV	8 kV
Rated current	76 A	76 A	76 A	76 A	76 A	76 A
Approbations per	UL 1059			UL 1059		
Use group	B	C	D	B	C	D
Rated voltage	300 V	150 V	300 V	600 V	600 V	-
Rated current	55 A	55 A	10 A	65 A	65 A	-

Connection Data

Connection technology	CAGE CLAMP®
Strip length	12 ... 13 mm / 0.47 ... 0.51 inch
Conductor connection direction to PCB	30°
Solid conductor	1.5 ... 16 mm ² / 16 ... 6 AWG
Fine-stranded conductor	1.5 ... 16 mm ² / 16 ... 6 AWG
Fine-stranded conductor; with insulated ferrule	1.5 ... 10 mm ²
Fine-stranded conductor; with uninsulated ferrule	1.5 ... 10 mm ²

Material Data

Material group	I
Insulation material	Polyamide (PA66)
Flammability class per UL94	V0
Clamping spring material	Chrome nickel spring steel (CrNi)
Contact material	Electrolytic copper (E _{cu})
Contact plating	Tin-plated

Mechanical Data

Solder pin arrangement	Over the entire terminal strip (in-line)
Solder pin length	4.5 mm
Solder pin dimensions	0.95 x 1.2 mm
Drilled hole diameter with tolerance	1.6 ^(+0.1) mm

Environmental Requirements

Limit temperature range	-60 ... +105 °C
-------------------------	-----------------

Ferrule Page 879

Jumper Page 259

Test and measurement Page 886

See technical section for further information

For approvals and corresponding ratings, visit www.wago.com

PCB terminal block ▶ 2716 Series

CAGE CLAMP® ▶ Actuation type: Lever ▶ Number of jumper slots: 1 ▶ 16 mm² ▶ Color: gray

Pin spacing: 10 mm / 0.394 inch

Pin spacing: 15 mm / 0.591 inch



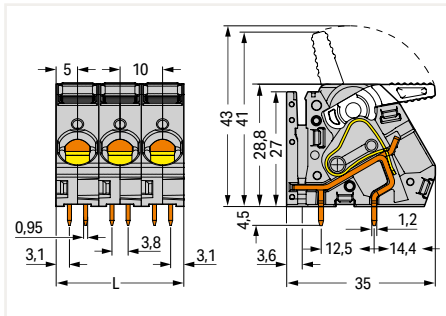
2716-154



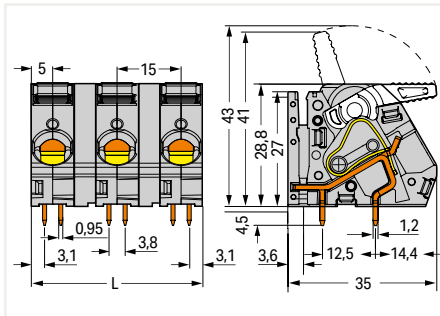
2716-254

Pole No.	Item No.	PU
2	2716-152	52
3	2716-153	32
4	2716-154	24
5	2716-155	20
6	2716-156	16
7	2716-157	12
8	2716-158	12

Pole No.	Item No.	PU
2	2716-252	40
3	2716-253	24
4	2716-254	16
5	2716-255	12
6	2716-256	12
7	2716-257	8
8	2716-258	8



L = pole no. x pin spacing



L = (pole no. x pin spacing) - 5 mm

PU = Packaging Unit; SPU = Subpackaging Unit; Dimensions in mm

Other versions (or variants) can be requested from WAGO Sales or configured at <https://configurator.wago.com/>.

- Other pole numbers
- Other colors
- Mixed-color PCB connector strips
- Direct marking

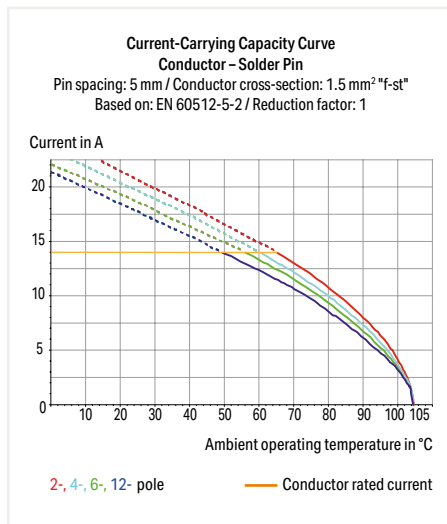
2-conductor PCB terminal block ▶ 816 Series

Push-in CAGE CLAMP® ▶ Actuation type: Operating tool ▶ 1.5 mm² ▶ Pin spacing: 5 mm / 0.197 inch ▶ Color: gray

1



- Two-conductor terminal strips with screwdriver actuation and Push-in CAGE CLAMP® connection
- Double entries for supply and power distribution
- Simple, reliable connection via clamping units featuring individual operating slots
- Simple, push-in termination of solid and ferruled conductors



Electrical Data

Pin spacing	5 mm / 0.197 inch		
Ratings per	IEC/EN 60664-1		
Overvoltage category	III	III	II
Pollution degree	3	2	2
Rated voltage	320 V	320 V	630 V
Rated impulse voltage	4 kV	4 kV	4 kV
Rated current	14 A	14 A	14 A
Approbations per	UL 1059		
Use group	B	C	D
Rated voltage	300 V	-	300 V
Rated current	10 A	-	10 A
Approbations per	CSA		
Use group	B	C	D
Rated voltage	300 V	-	300 V
Rated current	8 A	-	-

Connection Data

Connection technology	Push-in CAGE CLAMP®
Strip length	9 ... 10 mm / 0.35 ... 0.39 inch
Conductor connection direction to PCB	45 °
Solid conductor	0.2 ... 1.5 mm ² / 24 ... 16 AWG
Fine-stranded conductor	0.2 ... 1.5 mm ² / 24 ... 16 AWG
Fine-stranded conductor; with insulated ferrule	0.2 ... 1 mm ²
Fine-stranded conductor; with uninsulated ferrule	0.2 ... 1.5 mm ²

Material Data

Material group	I
Insulation material	Polyamide (PA66)
Flammability class per UL94	V0
Clamping spring material	Chrome nickel spring steel (CrNi)
Contact material	Copper alloy
Contact plating	Tin-plated

Mechanical Data

Solder pin arrangement	Over the entire terminal strip (in-line)
Solder pin length	3.5 mm
Solder pin dimensions	0.8 x 0.5 mm
Drilled hole diameter with tolerance	1.1 (+0.1) mm

Environmental Requirements

Limit temperature range	-60 ... +105 °C
-------------------------	-----------------

Ferrule Page 879

Marking Page 865

Tool Page 870

See technical section for further information

For approvals and corresponding ratings, visit www.wago.com

2-conductor PCB terminal block ▶ 816 Series

Push-in CAGE CLAMP® ▶ Actuation type: Operating tool ▶ 1.5 mm² ▶ Pin spacing: 5 mm / 0.197 inch ▶ Color: gray

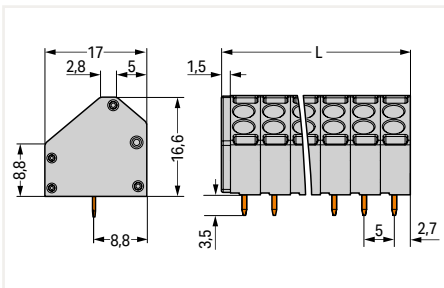


816-105

Open the clamping unit via screwdriver (3.5 mm blade) to insert/remove fine-stranded conductors.

Pole No.	Item No.	PU (SPU)
2	816-102	322 (161)
3	816-103	224 (112)
4	816-104	168 (84)
5	816-105	140 (70)
6	816-106	112 (56)
7	816-107	98 (49)
8	816-108	84 (42)
9	816-109	70 (35)
10	816-110	70 (35)
11	816-111	56 (28)
12	816-112	56 (28)

Push in solid and ferruled, fine-stranded conductors until fully inserted.



$L = (\text{pole no.} \times \text{pin spacing}) + 1.5 \text{ mm}$

PU = Packaging Unit; SPU = Subpackaging Unit; Dimensions in mm

Other versions (or variants) can be requested from WAGO Sales or configured at <https://configurator.wago.com/>.

- Other pole numbers
- Other colors
- Mixed-color PCB connector strips
- Direct marking

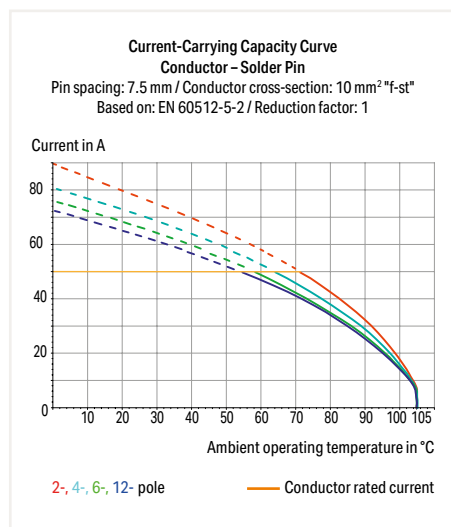
2-conductor PCB terminal block ▶ 746 Series

Push-in CAGE CLAMP® ▶ Actuation type: Operating tool ▶ 10 mm² ▶ Pin spacing: 7.5 mm / 0.295 inch ▶ Color: gray

1



- Two-conductor terminal strips with screwdriver actuation and Push-in CAGE CLAMP® connection
- Double entries for supply and power distribution
- Simple, reliable connection via clamping units featuring individual operating slots
- 600 V UL per UL 1059
- Simple, push-in termination of solid and ferruled conductors
- Marker slot for miniature WSB and WMB markers



Electrical Data

Pin spacing	7.5 mm / 0.295 inch		
Ratings per	IEC/EN 60664-1		
Overvoltage category	III	III	II
Pollution degree	3	2	2
Rated voltage	800 V	1000 V	1000 V
Rated impulse voltage	8 kV	8 kV	8 kV
Rated current	50 A	50 A	50 A
Approbations per	UL 1059		
Use group	B	C	D
Rated voltage	600 V	600 V	-
Rated current	50 A	50 A	-
Approbations per	CSA		
Use group	B	C	D
Rated voltage	600 V	600 V	-
Rated current	44 A	44 A	-

Connection Data

Connection technology	Push-in CAGE CLAMP®
Strip length	13 ... 15 mm / 0.51 ... 0.59 inch
Conductor connection direction to PCB	45 °
Solid conductor	0.5 ... 10 mm ² / 20 ... 8 AWG
Fine-stranded conductor	0.5 ... 10 mm ² / 20 ... 8 AWG
Fine-stranded conductor; with insulated ferrule	0.5 ... 6 mm ²
Fine-stranded conductor; with uninsulated ferrule	0.5 ... 6 mm ²

Material Data

Material group	I
Insulation material	Polyamide (PA66)
Flammability class per UL94	V0
Clamping spring material	Chrome nickel spring steel (CrNi)
Contact material	Electrolytic copper (E _{Cu})
Contact plating	Tin-plated

Mechanical Data

Solder pin arrangement	Over the entire terminal strip (staggered)
Solder pin length	4.4 mm
Solder pin dimensions	1.6 x 1.2 mm
Drilled hole diameter with tolerance	2.2 ^(+0.1) mm

Environmental Requirements

Limit temperature range	-60 ... +105 °C
-------------------------	-----------------

Ferrule Page 879

Marking Page 862

Test and measurement Page 886

Tool Page 870

See technical section for further information

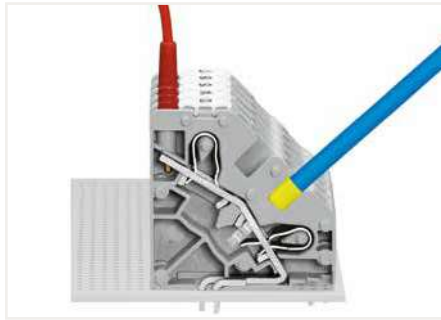
For approvals and corresponding ratings, visit www.wago.com

2-conductor PCB terminal block ▶ 746 Series

Push-in CAGE CLAMP® ▶ Actuation type: Operating tool ▶ 10 mm² ▶ Pin spacing: 7.5 mm / 0.295 inch ▶ Color: gray



746-2305



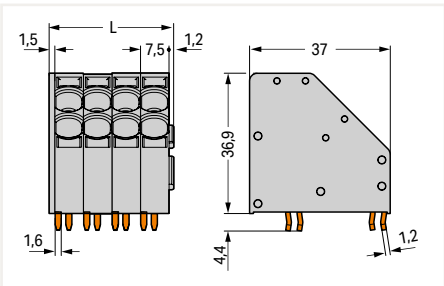
Inserting solid and ferruled conductors by simply pushing them into unit.

Testing with 2 mm Ø test plug.

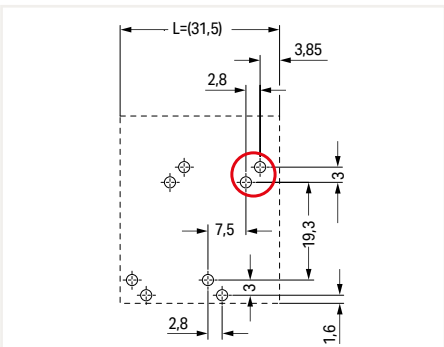


Inserting fine-stranded conductors via screwdriver (5.5 mm blade).

Pole No.	Item No.	PU
2	746-2302	60
3	746-2303	40
4	746-2304	32
5	746-2305	24
6	746-2306	20
7	746-2307	16
8	746-2308	16
9	746-2309	12
10	746-2310	12
12	746-2312	8



$L = (\text{pole no.} \times \text{pin spacing}) + 2.7 \text{ mm}$



First solder pins, right rear (red circle)

PU = Packaging Unit; SPU = Subpackaging Unit; Dimensions in mm

Other versions (or variants) can be requested from WAGO Sales or configured at <https://configurator.wago.com/>.

- Other pole numbers
- Other colors
- Mixed-color PCB connector strips
- Direct marking

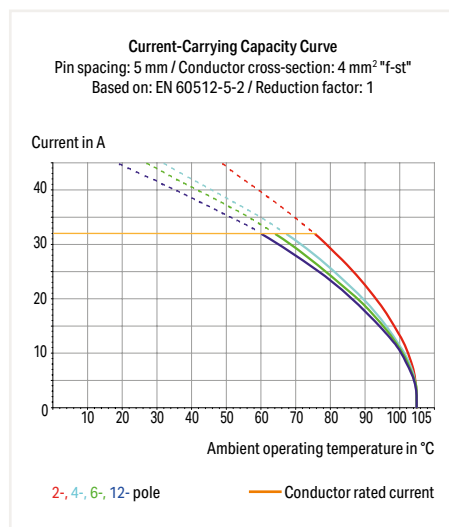
PCB terminal block ▶ 2624 Series

Push-in CAGE CLAMP® ▶ Actuation type: Operating tool ▶ 6 mm² ▶ Modular terminal block ▶ Pin spacing: 5 mm / 0.197 inch ▶ Color: gray

1



- PCB terminal blocks with Push-in CAGE CLAMP® connection
- Push-in termination of solid and ferruled conductors
- Ideal for panel feedthrough applications via operation parallel to conductor entry
- Testing can be performed both parallel and perpendicular to conductor entry



Electrical Data			
Pin spacing	5 mm / 0.197 inch		
Ratings per	IEC/EN 60664-1		
Overvoltage category	III	III	II
Pollution degree	3	2	2
Rated voltage	320 V	400 V	630 V
Rated impulse voltage	4 kV	4 kV	4 kV
Rated current	41 A	41 A	41 A
Approbations per	UL 1059		
Use group	B	C	D
Rated voltage	300 V	-	300 V
Rated current	26 A	-	10 A
Approbations per	CSA		
Use group	B	C	D
Rated voltage	300 V	-	300 V
Rated current	26 A	-	5 A

Connection Data	
Connection technology	Push-in CAGE CLAMP®
Strip length	10 ... 12 mm / 0.39 ... 0.47 inch
Solid conductor	0.2 ... 6 mm ² / 24 ... 10 AWG
Fine-stranded conductor	0.2 ... 6 mm ² / 24 ... 10 AWG
Fine-stranded conductor; with insulated ferrule	0.25 ... 2.5 mm ²
Fine-stranded conductor; with uninsulated ferrule	0.25 ... 2.5 mm ²
Fine-stranded conductor; with twin ferrule	0.25 ... 1.5 mm ²

Material Data	
Material group	I
Insulation material	Polyamide (PA66)
Flammability class per UL94	V0
Clamping spring material	Chrome nickel spring steel (CrNi)
Contact material	Electrolytic copper (E _{cu})
Contact plating	Tin-plated

Mechanical Data	
Solder pin arrangement	Within the terminal block (in-line)
Solder pin length	4 mm
Solder pin dimensions	0.8 x 1 mm
Drilled hole diameter with tolerance	1.3 ^(+0.1) mm

Environmental Requirements	
Limit temperature range	-60 ... +105 °C

Ferrule Page 879

Tool Page 870

See technical section for further information

For approvals and corresponding ratings, visit www.wago.com

PCB terminal block ▶ 2624 Series

Push-in CAGE CLAMP® ▶ Actuation type: Operating tool ▶ 6 mm² ▶ Modular terminal block ▶ Pin spacing: 5 mm / 0.197 inch ▶ Color: gray

Conductor connection direction to PCB: 0°

Conductor connection direction to PCB: 90°



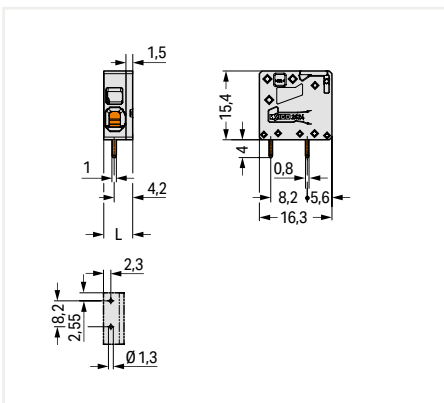
2624-1101



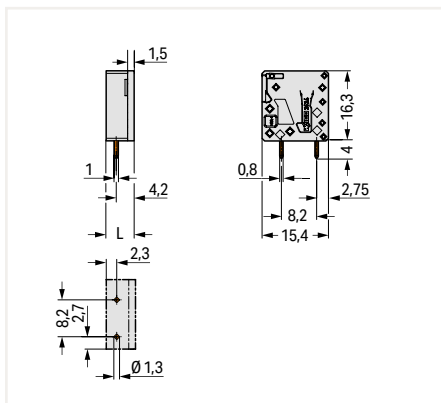
2624-3101

Color	Item No.	PU
● gray	2624-1101	300

Color	Item No.	PU
● gray	2624-3101	300



L = 6.5 mm



L = 6.5 mm

PU = Packaging Unit; SPU = Subpackaging Unit; Dimensions in mm

Other versions (or variants) can be requested from WAGO Sales or configured at <https://configurator.wago.com/>.

- Other pole numbers
- Direct marking
- Other colors

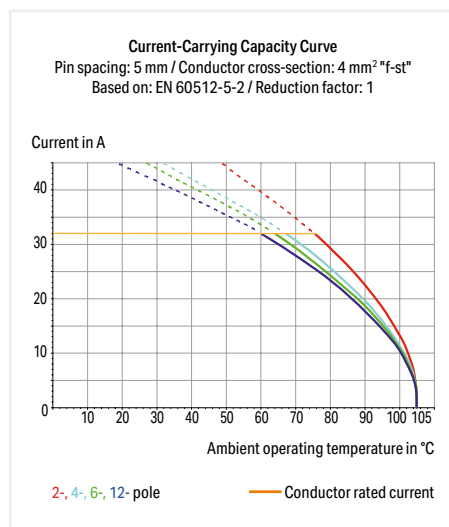
PCB terminal block ▶ 2624 Series

Push-in CAGE CLAMP® ▶ Actuation type: Operating tool ▶ 6 mm² ▶ Terminal strip ▶ Color: gray

1



- PCB terminal blocks with Push-in CAGE CLAMP® connection
- Push-in termination of solid and ferruled conductors
- Ideal for panel feedthrough applications via operation parallel to conductor entry
- Testing can be performed both parallel and perpendicular to conductor entry

**Electrical Data**

Pin spacing	5 mm / 0.197 inch			7.5 mm / 0.295 inch			11.5 mm / 0.453 inch		
Ratings per	IEC/EN 60664-1								
Overvoltage category	III	III	II	III	III	II	III	III	II
Pollution degree	3	2	2	3	2	2	3	2	2
Rated voltage	320 V	400 V	630 V	630 V	1000 V	1000 V	1000 V	1000 V	1000 V
Rated impulse voltage	4 kV	4 kV	4 kV	6 kV	6 kV	6 kV	8 kV	8 kV	8 kV
Rated current	41 A	41 A	41 A	41 A	41 A	41 A	41 A	41 A	41 A

Approbations per	UL 1059			UL 1059			UL 1059		
Use group	B	C	D	B	C	D	B	C	D
Rated voltage	300 V	-	300 V	300 V	150 V	300 V	600 V	600 V	-
Rated current	26 A	-	10 A	26 A	26 A	10 A	26 A	26 A	-

Approbations per	CSA			CSA			CSA		
Use group	B	C	D	B	C	D	B	C	D
Rated voltage	300 V	-	300 V	300 V	-	300 V	600 V	600 V	-
Rated current	26 A	-	5 A	26 A	-	5 A	26 A	26 A	-

Connection Data

Connection technology	Push-in CAGE CLAMP®
Strip length	10 ... 12 mm / 0.39 ... 0.47 inch
Solid conductor	0.2 ... 6 mm ² / 24 ... 10 AWG
Fine-stranded conductor	0.2 ... 6 mm ² / 24 ... 10 AWG
Fine-stranded conductor; with insulated ferrule	0.25 ... 2.5 mm ²
Fine-stranded conductor; with uninsulated ferrule	0.25 ... 2.5 mm ²
Fine-stranded conductor; with twin ferrule	0.25 ... 1.5 mm ²

Material Data

Material group	I
Insulation material	Polyamide (PA66)
Flammability class per UL94	V0
Clamping spring material	Chrome nickel spring steel (CrNi)
Contact material	Electrolytic copper (E _{cu})
Contact plating	Tin-plated

Mechanical Data

Solder pin arrangement	Over the entire terminal strip (in-line)
Solder pin length	4 mm
Solder pin dimensions	0.8 x 1 mm
Drilled hole diameter with tolerance	1.3 ^(±0.1) mm

Environmental Requirements

Limit temperature range	-60 ... +105 °C
-------------------------	-----------------

Ferrule Page 879

Tool Page 870

See technical section for further information

For approvals and corresponding ratings, visit www.wago.com

PCB terminal block ▶ 2624 Series

Push-in CAGE CLAMP® ▶ Actuation type: Operating tool ▶ 6 mm² ▶ Terminal strip ▶ Color: gray

Conductor connection direction to PCB: 0° ▶ Pin spacing: 5 mm / 0.197 inch

Conductor connection direction to PCB: 0° ▶ Pin spacing: 7.5 mm / 0.295 inch

Conductor connection direction to PCB: 0° ▶ Pin spacing: 11.5 mm / 0.453 inch



2624-1103

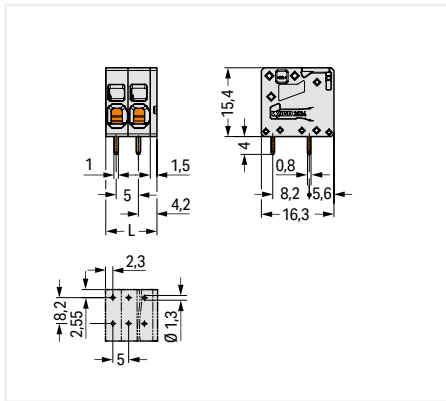
2624-1303

2624-1503

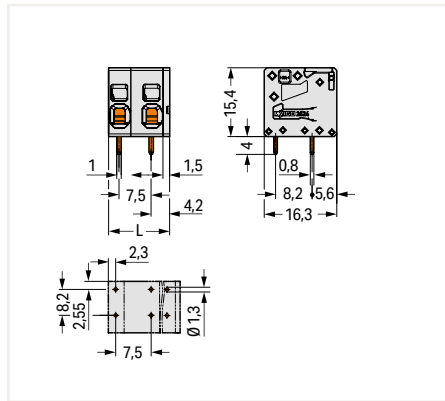
Pole No.	Item No.	PU
2	2624-1102	200
3	2624-1103	150
4	2624-1104	100
5	2624-1105	100
6	2624-1106	80
7	2624-1107	50
8	2624-1108	50
9	2624-1109	50
10	2624-1110	40
11	2624-1111	35
12	2624-1112	35

Pole No.	Item No.	PU
2	2624-1302	200
3	2624-1303	120
4	2624-1304	80
5	2624-1305	70
6	2624-1306	50
7	2624-1307	50
8	2624-1308	40
9	2624-1309	35
10	2624-1310	35
11	2624-1311	25
12	2624-1312	25

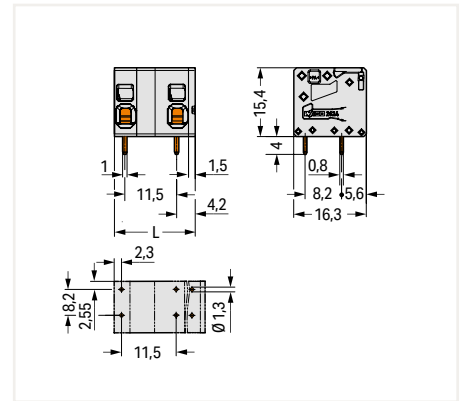
Pole No.	Item No.	PU
2	2624-1502	100
3	2624-1503	80
4	2624-1504	50
5	2624-1505	40
6	2624-1506	40
7	2624-1507	30
8	2624-1508	25
9	2624-1509	25
10	2624-1510	20
11	2624-1511	20
12	2624-1512	20



L = (pole no. - 1) x pin spacing + 6.5 mm



L = (pole no. - 1) x pin spacing + 6.5 mm



L = (pole no. - 1) x pin spacing + 6.5 mm

PU = Packaging Unit; SPU = Subpackaging Unit; Dimensions in mm

Other versions (or variants) can be requested from WAGO Sales or configured at <https://configurator.wago.com/>.

- Other pole numbers
- Direct marking
- Other colors

PCB terminal block ▶ 2624 Series

Push-in CAGE CLAMP® ▶ Actuation type: Operating tool ▶ 6 mm² ▶ Terminal strip ▶ Color: gray

Conductor connection direction to PCB: 90° ▶ Pin spacing: 5 mm / 0.197 inch

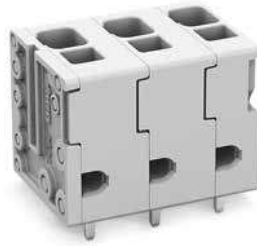
Conductor connection direction to PCB: 90° ▶ Pin spacing: 7.5 mm / 0.295 inch

Conductor connection direction to PCB: 90° ▶ Pin spacing: 11.5 mm / 0.453 inch

1



2624-3103



2624-3303

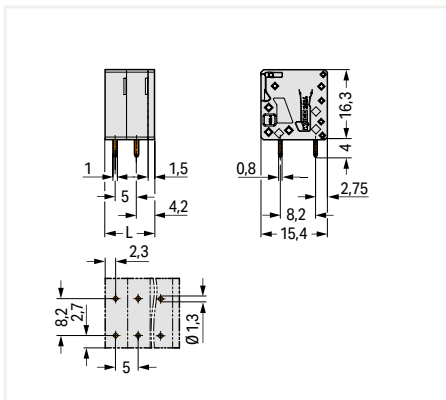


2624-3503

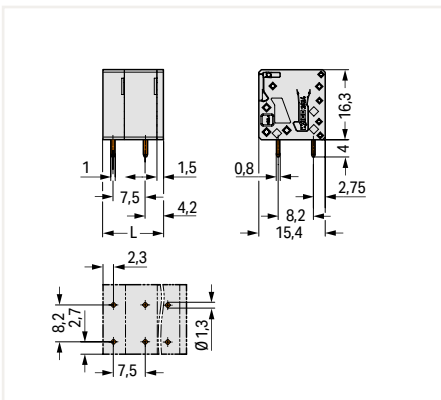
Pole No.	Item No.	PU
2	2624-3102	200
3	2624-3103	150
4	2624-3104	100
5	2624-3105	100
6	2624-3106	80
7	2624-3107	50
8	2624-3108	50
9	2624-3109	50
10	2624-3110	40
11	2624-3111	35
12	2624-3112	35

Pole No.	Item No.	PU
2	2624-3302	200
3	2624-3303	120
4	2624-3304	80
5	2624-3305	70
6	2624-3306	50
7	2624-3307	50
8	2624-3308	40
9	2624-3309	35
10	2624-3310	35
11	2624-3311	25
12	2624-3312	25

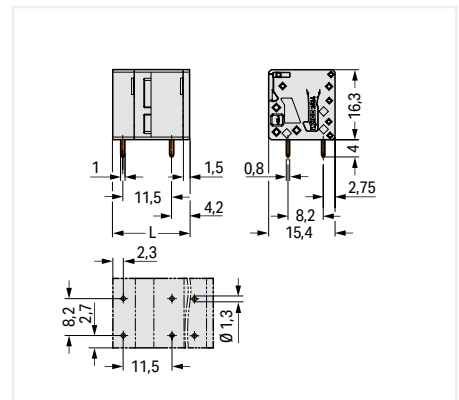
Pole No.	Item No.	PU
2	2624-3502	100
3	2624-3503	80
4	2624-3504	50
5	2624-3505	40
6	2624-3506	40
7	2624-3507	30
8	2624-3508	25
9	2624-3509	25
10	2624-3510	20
11	2624-3511	20
12	2624-3512	20



L = (pole no. - 1) x pin spacing + 6.5 mm



L = (pole no. - 1) x pin spacing + 6.5 mm



L = (pole no. - 1) x pin spacing + 6.5 mm

PU = Packaging Unit; SPU = Subpackaging Unit; Dimensions in mm

Other versions (or variants) can be requested from WAGO Sales or configured at <https://configurator.wago.com/>.

- Other pole numbers
- Direct marking
- Other colors

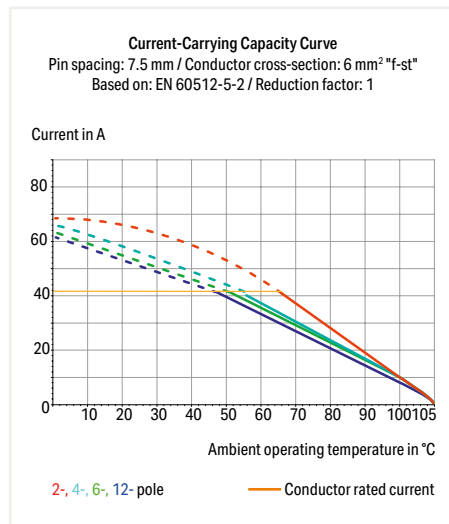
PCB terminal block ▶ 2626 Series

Push-in CAGE CLAMP® ▶ Actuation type: Operating tool ▶ 10 mm² ▶ Modular terminal block ▶ Pin spacing: 7.5 mm / 0.295 inch ▶ Color: gray

1



- PCB terminal blocks with Push-in CAGE CLAMP® connection
- Push-in termination of solid and ferruled conductors
- Ideal for panel feedthrough applications via operation parallel to conductor entry
- Testing can be performed both parallel and perpendicular to conductor entry

**Electrical Data**

Pin spacing	7.5 mm / 0.295 inch		
Ratings per	IEC/EN 60664-1		
Overvoltage category	III	III	II
Pollution degree	3	2	2
Rated voltage	-	1000 V	1000 V
Rated impulse voltage	8 kV	8 kV	8 kV
Rated current	48 A	48 A	48 A
Approbations per	UL 1059		
Use group	B	C	D
Rated voltage	600 V	600 V	-
Rated current	38 A	38 A	-
Approbations per	CSA		
Use group	B	C	D
Rated voltage	600 V	1000 V	-
Rated current	38 A	38 A	-

Connection Data

Connection technology	Push-in CAGE CLAMP®
Strip length	13 ... 15 mm / 0.51 ... 0.59 inch
Solid conductor	0.2 ... 10 mm ² / 24 ... 8 AWG
Fine-stranded conductor	0.2 ... 10 mm ² / 24 ... 8 AWG
Fine-stranded conductor; with insulated ferrule	0.25 ... 6 mm ²
Fine-stranded conductor; with uninsulated ferrule	0.25 ... 6 mm ²
Fine-stranded conductor; with twin ferrule	0.25 ... 2.5 mm ²

Material Data

Material group	I
Insulation material	Polyamide (PA66)
Flammability class per UL94	V0
Clamping spring material	Chrome nickel spring steel (CrNi)
Contact material	Electrolytic copper (E _{cu})
Contact plating	Tin-plated

Mechanical Data

Solder pin arrangement	Within the terminal block (in-line)
Solder pin length	4 mm
Solder pin dimensions	1.5 x 1 mm
Drilled hole diameter with tolerance	2 ^{+0.1} mm

Environmental Requirements

Limit temperature range	-60 ... +105 °C
-------------------------	-----------------

Ferrule Page 879

Tool Page 870

See technical section for further information

For approvals and corresponding ratings, visit www.wago.com

PCB terminal block ▶ 2626 Series

Push-in CAGE CLAMP® ▶ Actuation type: Operating tool ▶ 10 mm² ▶ Modular terminal block ▶ Pin spacing: 7.5 mm / 0.295 inch ▶ Color: gray

Conductor connection direction to PCB: 0°

Conductor connection direction to PCB: 90°



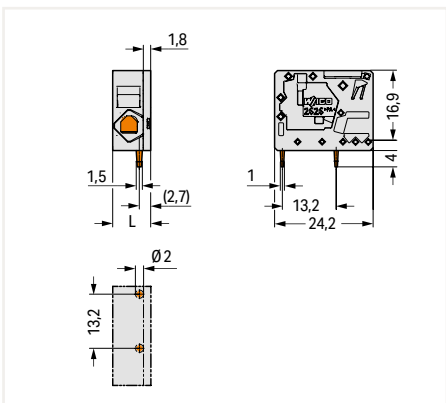
2626-1101



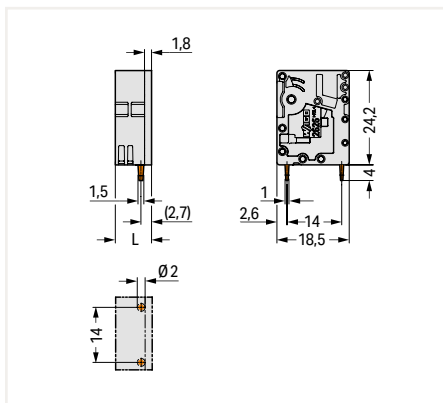
2626-3101

Color	Item No.	PU
● gray	2626-1101	200

Color	Item No.	PU
● gray	2626-3101	200



L = 9.3 mm



L = 9.3 mm

PU = Packaging Unit; SPU = Subpackaging Unit; Dimensions in mm

Other versions (or variants) can be requested from WAGO Sales or configured at <https://configurator.wago.com/>.

- Other pole numbers
- Direct marking
- Other colors

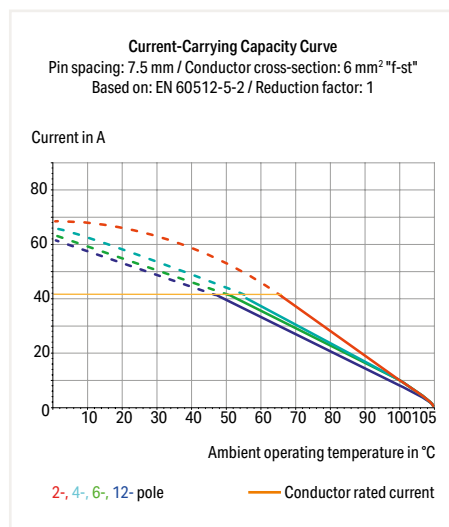
PCB terminal block ▶ 2626 Series

Push-in CAGE CLAMP® ▶ Actuation type: Operating tool ▶ 10 mm² ▶ Terminal strip ▶ Color: gray

1



- PCB terminal strips with Push-in CAGE CLAMP® connection
- Push-in termination of solid and ferruled conductors
- Ideal for panel feedthrough applications via operation parallel to conductor entry
- Testing can be performed both parallel and perpendicular to conductor entry



Electrical Data

Pin spacing	7.5 mm / 0.295 inch			12.5 mm / 0.492 inch		
Ratings per	IEC/EN 60664-1					
Overvoltage category	III	III	II	III	III	II
Pollution degree	3	2	2	3	2	2
Rated voltage	800 V	1000 V	1000 V	1000 V	1000 V	1000 V
Rated impulse voltage	8 kV	8 kV	8 kV	8 kV	8 kV	8 kV
Rated current	48 A	48 A	48 A	48 A	48 A	48 A
Approbations per	UL 1059			UL 1059		
Use group	B	C	D	B	C	D
Rated voltage	600 V	600 V	-	600 V	600 V	-
Rated current	38 A	38 A	-	38 A	38 A	-
Approbations per	CSA			CSA		
Use group	B	C	D	B	C	D
Rated voltage	600 V	600 V	-	600 V	600 V	-
Rated current	38 A	38 A	-	38 A	38 A	-

Connection Data

Connection technology	Push-in CAGE CLAMP®
Strip length	13 ... 15 mm / 0.51 ... 0.59 inch
Solid conductor	0.2 ... 10 mm ² / 24 ... 8 AWG
Fine-stranded conductor	0.2 ... 10 mm ² / 24 ... 8 AWG
Fine-stranded conductor; with insulated ferrule	0.25 ... 6 mm ²
Fine-stranded conductor; with uninsulated ferrule	0.25 ... 6 mm ²
Fine-stranded conductor; with twin ferrule	0.25 ... 2.5 mm ²

Material Data

Material group	I
Insulation material	Polyamide (PA66)
Flammability class per UL94	V0
Clamping spring material	Chrome nickel spring steel (CrNi)
Contact material	Electrolytic copper (E _{cu})
Contact plating	Tin-plated

Mechanical Data

Solder pin length	4 mm
Solder pin dimensions	1.5 x 1 mm
Drilled hole diameter with tolerance	2 ^(+0.1) mm

Environmental Requirements

Limit temperature range	-60 ... +105 °C
-------------------------	-----------------

Ferrule Page 879

Tool Page 870

See technical section for further information

For approvals and corresponding ratings, visit www.wago.com

PCB terminal block ▶ 2626 Series

Push-in CAGE CLAMP® ▶ Actuation type: Operating tool ▶ 10 mm² ▶ Terminal strip ▶ Color: gray

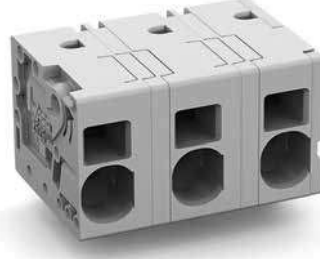
Conductor connection direction to PCB: 0° ▶ Pin spacing: 7.5 mm / 0.295 inch

Conductor connection direction to PCB: 0° ▶ Pin spacing: 12.5 mm / 0.492 inch

Conductor connection direction to PCB: 90° ▶ Pin spacing: 7.5 mm / 0.295 inch



2626-1103/020-000



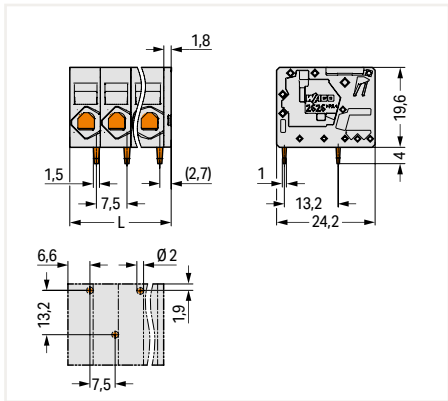
2626-1353



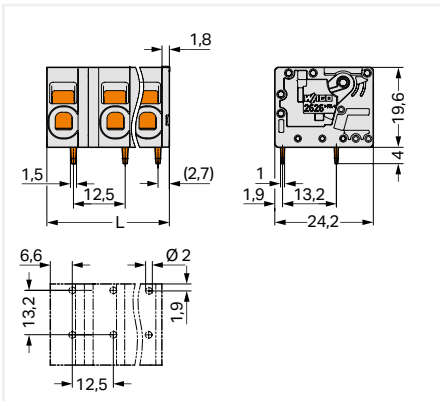
Pole No.	Item No.	PU
2	2626-1102/020-000	140
3	2626-1103/020-000	90
4	2626-1104/020-000	70
5	2626-1105/020-000	60
6	2626-1106/020-000	50
7	2626-1107/020-000	40
8	2626-1108/020-000	40
9	2626-1109/020-000	35
10	2626-1110/020-000	30
11	2626-1111/020-000	25
12	2626-1112/020-000	25

Pole No.	Item No.	PU
2	2626-1352	100
3	2626-1353	50
4	2626-1354	50
5	2626-1355	48
6	2626-1356	34
7	2626-1357	28
8	2626-1358	26
9	2626-1359	22
10	2626-1360	22
11	2626-1361	20
12	2626-1362	12

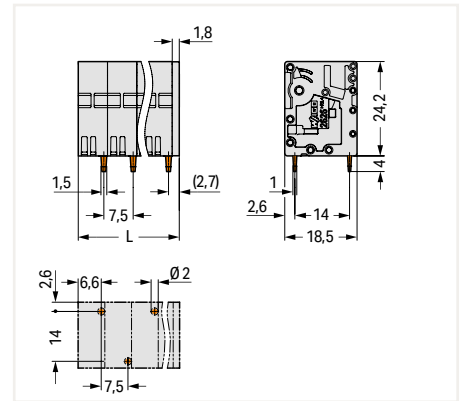
Pole No.	Item No.	PU
2	2626-3102/020-000	140
3	2626-3103/020-000	90
4	2626-3104/020-000	70
5	2626-3105/020-000	60
6	2626-3106/020-000	50
7	2626-3107/020-000	40
8	2626-3108/020-000	40
9	2626-3109/020-000	35
10	2626-3110/020-000	30
11	2626-3111/020-000	25
12	2626-3112/020-000	25



$L = (\text{pole no.} - 1) \times \text{pin spacing} + 9.3 \text{ mm}$



$L = (\text{pole no.} - 1) \times \text{pin spacing} + 9.3 \text{ mm}$



$L = (\text{pole no.} - 1) \times \text{pin spacing} + 9.3 \text{ mm}$

PU = Packaging Unit; SPU = Subpackaging Unit; Dimensions in mm

Other versions (or variants) can be requested from WAGO Sales or configured at <https://configurator.wago.com/>.

- Other pole numbers
- Direct marking
- Other colors

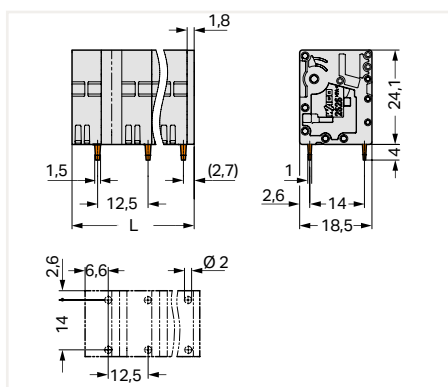
PCB terminal block ▶ 2626 Series**Push-in CAGE CLAMP® ▶ Actuation type: Operating tool ▶ 10 mm² ▶ Terminal strip ▶ Color: gray**

Conductor connection direction to PCB: 90° ▶ Pin spacing: 12.5 mm / 0.492 inch



2626-3353

Pole No.	Item No.	PU
2	2626-3352	100
3	2626-3353	60
4	2626-3354	50
5	2626-3355	45
6	2626-3356	40
7	2626-3357	40
8	2626-3358	32
9	2626-3359	28
10	2626-3360	28
11	2626-3361	24
12	2626-3362	12



$L = (\text{pole no.} - 1) \times \text{pin spacing} + 9.3 \text{ mm}$

PU = Packaging Unit; SPU = Subpackaging Unit

Other versions (or variants) can be requested from WAGO Sales or configured at <https://configurator.wago.com/>.

- Other pole numbers
- Direct marking
- Other colors

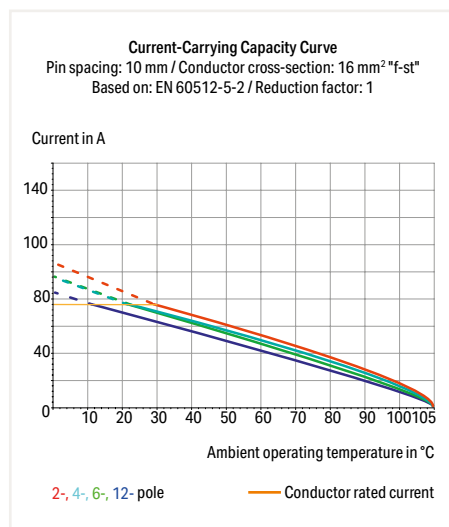
PCB terminal block ▶ 2636 Series

Push-in CAGE CLAMP® ▶ Actuation type: Operating tool ▶ 16 mm² ▶ Modular terminal block ▶ Pin spacing: 10 mm / 0.394 inch ▶ Color: gray

1



- PCB terminal blocks with Push-in CAGE CLAMP® connection
- Push-in termination of solid and ferruled conductors
- Ideal for panel feedthrough applications via operation parallel to conductor entry
- Testing can be performed both parallel and perpendicular to conductor entry



Electrical Data						
Conductor connection direction to PCB	0°			90°		
	10 mm / 0.394 inch			10 mm / 0.394 inch		
Pin spacing	IEC/EN 60664-1			IEC/EN 60664-1		
Ratings per	IEC/EN 60664-1			IEC/EN 60664-1		
Overvoltage category	III	III	II	III	III	II
Pollution degree	3	2	2	3	2	2
Rated voltage	1000 V	1000 V	1000 V	1000 V	1000 V	1000 V
Rated impulse voltage	8 kV	8 kV	8 kV	8 kV	8 kV	8 kV
Rated current	76 A	76 A	76 A	76 A	76 A	76 A
Approbations per	UL 1059			UL 1059		
Use group	B	C	D	B	C	D
Rated voltage	600 V	600 V	-	600 V	600 V	-
Rated current	-	-	-	-	-	-
Approbations per	CSA			CSA		
Use group	B	C	D	B	C	D
Rated voltage	600 V	1000 V	-	600 V	1000 V	0 V
Rated current	66 A	66 A	-	66 A	66 A	0 A

Connection Data	
Connection technology	Push-in CAGE CLAMP®
Strip length	18 ... 20 mm / 0.71 ... 0.79 inch
Solid conductor	0.75 ... 16 mm ² / 18 ... 4 AWG
Fine-stranded conductor	0.75 ... 25 mm ² / 18 ... 4 AWG
Fine-stranded conductor; with insulated ferrule	0.75 ... 16 mm ²
Fine-stranded conductor; with uninsulated ferrule	0.75 ... 16 mm ²
Fine-stranded conductor; with twin ferrule	0.75 ... 6 mm ²

Material Data	
Material group	I
Insulation material	Polyamide (PA66)
Flammability class per UL94	V0
Clamping spring material	Chrome nickel spring steel (CrNi)
Contact material	Electrolytic copper (E _{cu})
Contact plating	Tin-plated

Mechanical Data	
Solder pin arrangement	Within the terminal block (in-line)
Solder pin length	4 mm
Solder pin dimensions	1.2 x 1 mm
Drilled hole diameter with tolerance	1.7 ^(+0.1) mm

Environmental Requirements	
Limit temperature range	-60 ... +105 °C

Ferrule Page 879

Tool Page 870

See technical section for further information

For approvals and corresponding ratings, visit www.wago.com

PCB terminal block ▶ 2636 Series

Push-in CAGE CLAMP® ▶ Actuation type: Operating tool ▶ 16 mm² ▶ Modular terminal block ▶ Pin spacing: 10 mm / 0.394 inch ▶ Color: gray

Conductor connection direction to PCB: 0°

Conductor connection direction to PCB: 90°



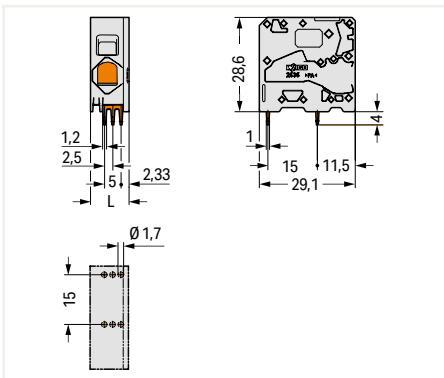
2636-1101



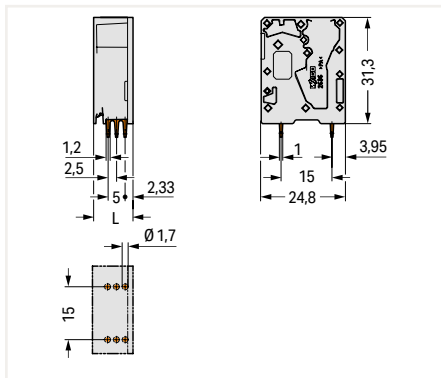
2636-3101

Color	Item No.	PU
● gray	2636-1101	100

Color	Item No.	PU
● gray	2636-3101	100



L = 11.6 mm



L = 11.6 mm

PU = Packaging Unit; SPU = Subpackaging Unit; Dimensions in mm

Other versions (or variants) can be requested from WAGO Sales or configured at <https://configurator.wago.com/>.

- Other pole numbers
- Direct marking
- Other colors

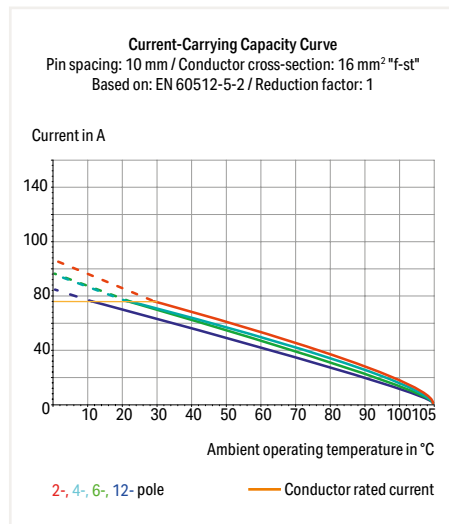
PCB terminal block ▶ 2636 Series

Push-in CAGE CLAMP® ▶ Actuation type: Operating tool ▶ 16 mm² ▶ Terminal strip ▶ Color: gray

1



- PCB terminal strips with Push-in CAGE CLAMP® connection
- Push-in termination of solid and ferruled conductors
- Ideal for panel feedthrough applications via operation parallel to conductor entry
- Testing can be performed both parallel and perpendicular to conductor entry



Electrical Data						
Pin spacing	10 mm / 0.394 inch			15 mm / 0.591 inch		
Ratings per	IEC/EN 60664-1					
Overvoltage category	III	III	II	III	III	II
Pollution degree	3	2	2	3	2	2
Rated voltage	1000 V	1000 V	1000 V	1000 V	1000 V	1000 V
Rated impulse voltage	8 kV	8 kV	8 kV	8 kV	8 kV	8 kV
Rated current	76 A	76 A	76 A	76 A	76 A	76 A
Approbations per	UL 1059			UL 1059		
Use group	B	C	D	B	C	D
Rated voltage	600 V	600 V	-	300 V	300 V	600 V
Rated current	66 A	66 A	-	85 A	85 A	5 A
Approbations per	CSA			CSA		
Use group	B	C	D	B	C	D
Rated voltage	600 V	600 V	-	300 V	300 V	600 V
Rated current	66 A	66 A	-	66 A	66 A	66 A

Connection Data	
Connection technology	Push-in CAGE CLAMP®
Strip length	18 ... 20 mm / 0.71 ... 0.79 inch
Solid conductor	0.75 ... 16 mm ² / 18 ... 4 AWG
Fine-stranded conductor	0.75 ... 25 mm ² / 18 ... 4 AWG
Fine-stranded conductor; with insulated ferrule	0.75 ... 16 mm ²
Fine-stranded conductor; with uninsulated ferrule	0.75 ... 16 mm ²
Fine-stranded conductor; with twin ferrule	0.75 ... 6 mm ²

Material Data	
Material group	I
Insulation material	Polyamide (PA66)
Flammability class per UL94	V0
Clamping spring material	Chrome nickel spring steel (CrNi)
Contact material	Electrolytic copper (E _{cu})
Contact plating	Tin-plated

Mechanical Data	
Solder pin length	4 mm
Solder pin dimensions	1.2 x 1 mm
Drilled hole diameter with tolerance	1.7 ^(+0.1) mm

Environmental Requirements	
Limit temperature range	-60 ... +105 °C

Ferrule Page 879

Tool Page 870

See technical section for further information

For approvals and corresponding ratings, visit www.wago.com

PCB terminal block ▶ 2636 Series

Push-in CAGE CLAMP® ▶ Actuation type: Operating tool ▶ 16 mm² ▶ Terminal strip ▶ Color: gray

Conductor connection direction to PCB: 0° ▶ Pin spacing: 10 mm / 0.394 inch

Conductor connection direction to PCB: 0° ▶ Pin spacing: 15 mm / 0.591 inch

Conductor connection direction to PCB: 90° ▶ Pin spacing: 10 mm / 0.394 inch



2636-1103/020-000



2636-1353

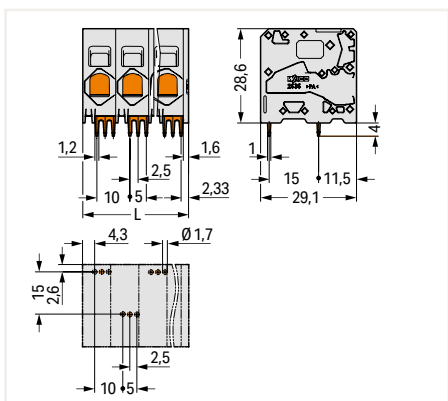


2636-3103/020-000

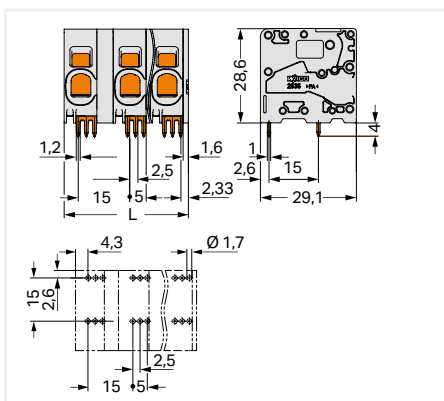
Pole No.	Item No.	PU
2	2636-1102/020-000	50
3	2636-1103/020-000	50
4	2636-1104/020-000	25
5	2636-1105/020-000	25
6	2636-1106/020-000	25
7	2636-1107/020-000	20
8	2636-1108/020-000	20
9	2636-1109/020-000	20
10	2636-1110/020-000	15
11	2636-1111/020-000	15
12	2636-1112/020-000	15

Pole No.	Item No.	PU
2	2636-1352	60
3	2636-1353	36
4	2636-1354	32
5	2636-1355	28
6	2636-1356	24
7	2636-1357	20
8	2636-1358	18

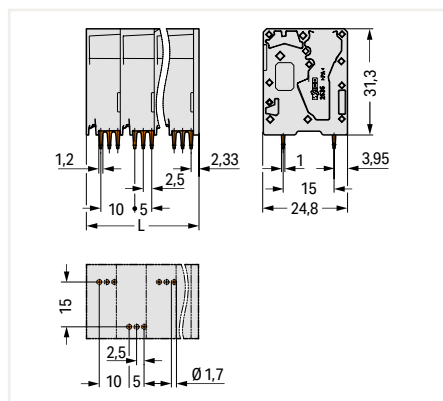
Pole No.	Item No.	PU
2	2636-3102/020-000	50
3	2636-3103/020-000	50
4	2636-3104/020-000	25
5	2636-3105/020-000	25
7	2636-3107/020-000	20
8	2636-3108/020-000	20
9	2636-3109/020-000	20
10	2636-3110/020-000	15
11	2636-3111/020-000	15
12	2636-3112/020-000	15



L = (pole no. - 1) x pin spacing + 11.6 mm



L = (pole no. - 1) x pin spacing + 11.6 mm



L = (pole no. - 1) x pin spacing + 11.6 mm

PU = Packaging Unit; SPU = Subpackaging Unit; Dimensions in mm

Other versions (or variants) can be requested from WAGO Sales or configured at <https://configurator.wago.com/>.

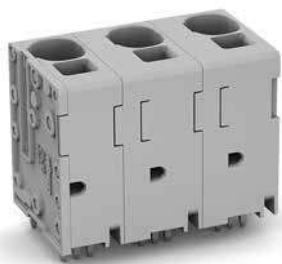
- Other pole numbers
- Direct marking
- Other colors

PCB terminal block ▶ 2636 Series

Push-in CAGE CLAMP® ▶ Actuation type: Operating tool ▶ 16 mm² ▶ Terminal strip ▶ Color: gray

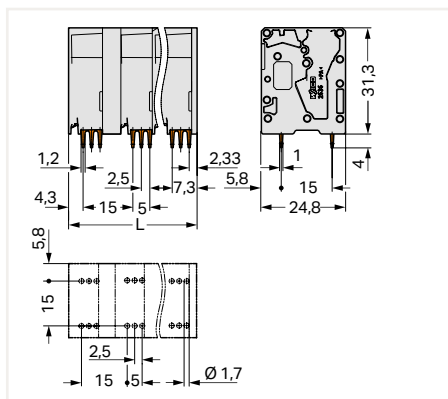
Conductor connection direction to PCB: 90° ▶ Pin spacing: 15 mm / 0.591 inch

1



2636-3353

Pole No.	Item No.	PU
2	2636-3352	50
3	2636-3353	34
4	2636-3354	32
5	2636-3355	22
6	2636-3356	18
7	2636-3357	18
8	2636-3358	16



$L = (\text{pole no.} - 1) \times \text{pin spacing} + 11.6 \text{ mm}$

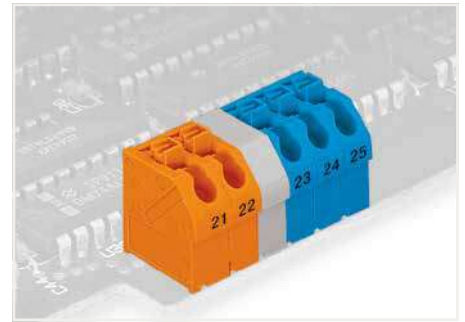
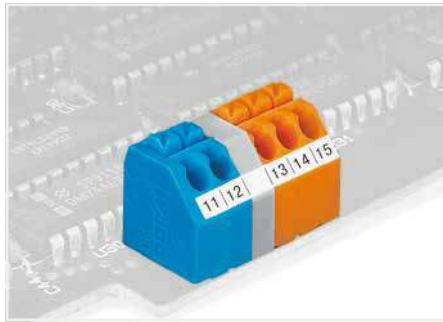
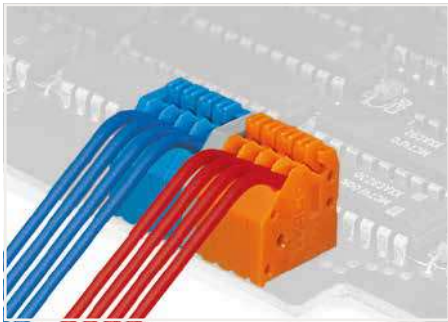
PU = Packaging Unit; SPU = Subpackaging Unit

Other versions (or variants) can be requested from WAGO Sales or configured at <https://configurator.wago.com/>.

- Other pole numbers
- Direct marking
- Other colors

250 Series Description and Installation

1



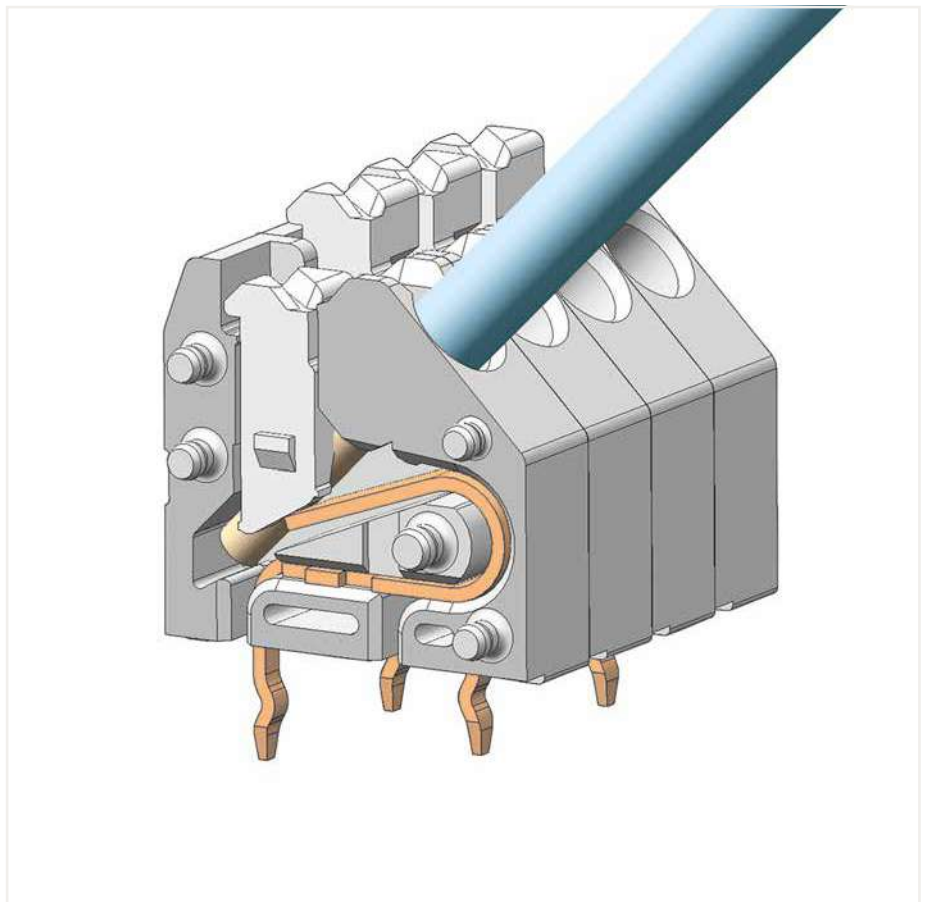
Labeling via self-adhesive strips or direct marking. Mixed-color terminal strips (with or without spacer) are available upon request.



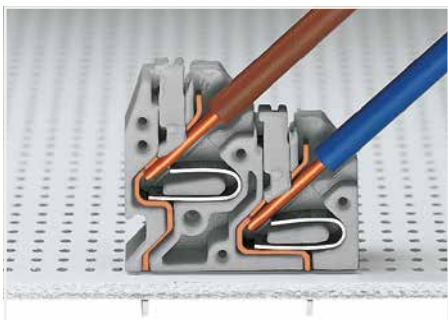
Space-saving wiring, 250 Series – 5 mm pin spacing.



Inserting solid conductors via push-in termination.
Inserting fine-stranded conductors via push-buttons,
250 Series – 3.5 mm pin spacing.



250 Series



Space-saving wiring – push-in termination of solid conductors.



Testing with 11 mm Ø test pin, on the conductor,
250 Series – 2.5 ... 3.5 mm pin spacing.



Testing with 2 mm Ø test plug, touch contact,
250 Series – 5 mm pin spacing.

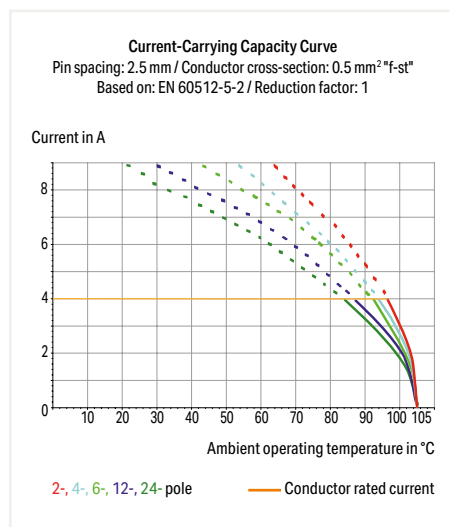
PCB terminal block ▶ 250 Series

Push-in CAGE CLAMP® ▶ Actuation type: Push-button ▶ 0.5 mm² ▶ Solder pin arrangement: Over the entire terminal strip (in-line) ▶ Pin spacing: 2.5 mm / 0.098 inch ▶ Color: gray

1



- Compact PCB terminal strips with push-buttons
- Push-in termination of solid conductors
- Termination/removal of fine-stranded conductors via push-buttons
- 45° conductor entry angle provides easy, space-saving wiring
- Custom color combinations
- Terminal strips also available with spacers upon request



Electrical Data

Pin spacing	2.5 mm / 0.098 inch		
Ratings per	IEC/EN 60664-1		
Overvoltage category	III	III	II
Pollution degree	3	2	2
Rated voltage	100 V	160 V	320 V
Rated impulse voltage	2.5 kV	2.5 kV	2.5 kV
Rated current	4 A	4 A	4 A
Approbations per	UL 1059		
Use group	B	C	D
Rated voltage	300 V	-	300 V
Rated current	5 A	-	5 A
Approbations per	CSA		
Use group	B	C	D
Rated voltage	300 V	-	300 V
Rated current	2 A	-	2 A

Connection Data

Connection technology	Push-in CAGE CLAMP®
Strip length	8.5 ... 9.5 mm / 0.33 ... 0.37 inch
Conductor connection direction to PCB	45°
Solid conductor	0.14 ... 0.5 mm ² / 24 ... 20 AWG
Fine-stranded conductor	0.2 ... 0.5 mm ² / 24 ... 20 AWG
Conductor diameter	0.4 ... 0.8 mm

Material Data

Material group	I
Insulation material	Polyamide (PA66)
Flammability class per UL94	V0
Clamping spring material	Copper alloy
Contact material	Electrolytic copper (E _{cu})
Contact plating	Tin-plated

Mechanical Data

Solder pin arrangement	Over the entire terminal strip (in-line)
Solder pin length	3.6 mm
Solder pin dimensions	0.4 x 0.75 mm
Drilled hole diameter with tolerance	1 ^(+0.1) mm

Environmental Requirements

Limit temperature range	-60 ... +105 °C
-------------------------	-----------------

Marking Page 864

Test and measurement Page 886

Tool Page 870

See technical section for further information

For approvals and corresponding ratings, visit www.wago.com

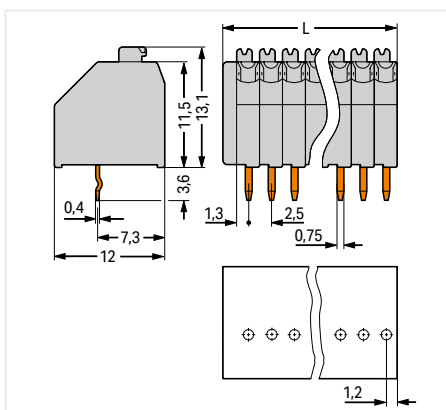
PCB terminal block ▶ 250 Series

Push-in CAGE CLAMP® ▶ Actuation type: Push-button ▶ 0.5 mm² ▶ Solder pin arrangement: Over the entire terminal strip (in-line) ▶ Pin spacing: 2.5 mm / 0.098 inch ▶ Color: gray



250-312

Pole No.	Item No.	PU (SPU)
2	250-302	720 (180)
3	250-303	520 (130)
4	250-304	400 (100)
5	250-305	340 (85)
6	250-306	280 (70)
7	250-307	240 (60)
8	250-308	220 (55)
9	250-309	200 (50)
10	250-310	180 (45)
11	250-311	160 (40)
12	250-312	140 (35)
13	250-313	140 (35)
14	250-314	120 (30)
15	250-315	120 (30)
16	250-316	100 (25)
17	250-317	100 (25)
18	250-318	80 (20)
19	250-319	80 (20)
20	250-320	80 (20)
21	250-321	80 (20)
22	250-322	80 (20)
23	250-323	80 (20)
24	250-324	60 (15)



$L = (\text{pole no.} \times \text{pin spacing}) + 1.5 \text{ mm}$

PU = Packaging Unit; SPU = Subpackaging Unit; Dimensions in mm

Other versions (or variants) can be requested from WAGO Sales or configured at <https://configurator.wago.com/>.

- Other pole numbers
- Other colors
- Mixed-color PCB connector strips
- Terminal strips with spacers
- Direct marking

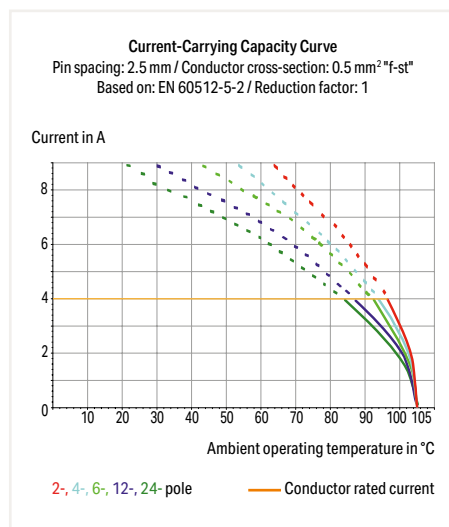
PCB terminal block ▶ 250 Series

Push-in CAGE CLAMP® ▶ Actuation type: Push-button ▶ 0.5 mm² ▶ Solder pin arrangement: Over the entire terminal strip (staggered) ▶ Color: gray

1



- Compact PCB terminal strips with push-buttons
- Push-in termination of solid conductors
- Termination/removal of fine-stranded conductors via push-buttons
- 45° conductor entry angle provides easy, space-saving wiring
- Custom color combinations
- Terminal strips also available with spacers upon request



Electrical Data

Pin spacing	2.54 mm / 0.1 inch; 2.5 mm / 0.098 inch		
Ratings per	IEC/EN 60664-1		
Overvoltage category	III	III	II
Pollution degree	3	2	2
Rated voltage	160 V	160 V	320 V
Rated impulse voltage	2.5 kV	2.5 kV	2.5 kV
Rated current	4 A	4 A	4 A
Approbations per	UL 1059		
Use group	B	C	D
Rated voltage	300 V	-	300 V
Rated current	5 A	-	5 A
Approbations per	CSA		
Use group	B	C	D
Rated voltage	300 V	-	300 V
Rated current	5 A	-	5 A

Connection Data

Connection technology	Push-in CAGE CLAMP®
Strip length	8.5 ... 9.5 mm / 0.33 ... 0.37 inch
Conductor connection direction to PCB	45°
Solid conductor	0.14 ... 0.5 mm ² / 24 ... 20 AWG
Fine-stranded conductor	0.2 ... 0.5 mm ² / 24 ... 20 AWG
Conductor diameter	0.4 ... 0.8 mm

Material Data

Material group	I
Insulation material	Polyamide (PA66)
Flammability class per UL94	V0
Clamping spring material	Copper alloy
Contact material	Electrolytic copper (E _{cu})
Contact plating	Tin-plated

Mechanical Data

Solder pin arrangement	Over the entire terminal strip (staggered)
Solder pin length	3.6 mm
Solder pin dimensions	0.4 x 0.75 mm
Drilled hole diameter with tolerance	1 ^(+0.1) mm

Environmental Requirements

Limit temperature range	-60 ... +105 °C
-------------------------	-----------------

Marking Page 864

Test and measurement Page 886

Tool Page 870

See technical section for further information

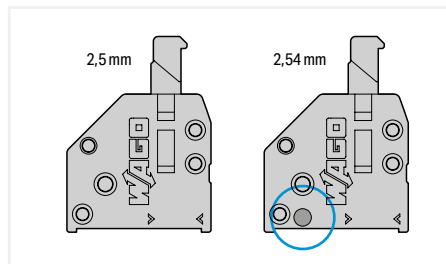
For approvals and corresponding ratings, visit www.wago.com

PCB terminal block ▶ 250 Series

Push-in CAGE CLAMP® ▶ Actuation type: Push-button ▶ 0.5 mm² ▶ Solder pin arrangement: Over the entire terminal strip (staggered) ▶ Color: gray

Pin spacing: 2.5 mm / 0.098 inch

Pin spacing: 2.54 mm / 0.1 inch



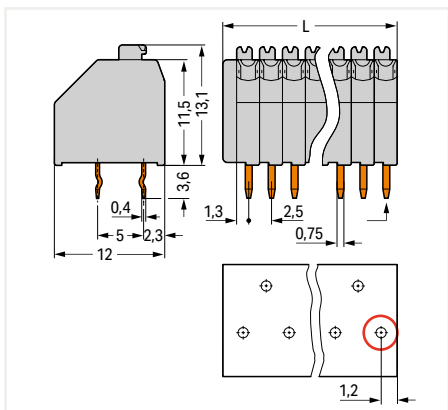
A groove at the back of the terminal strip differentiates between the two pin spacings.

250-412

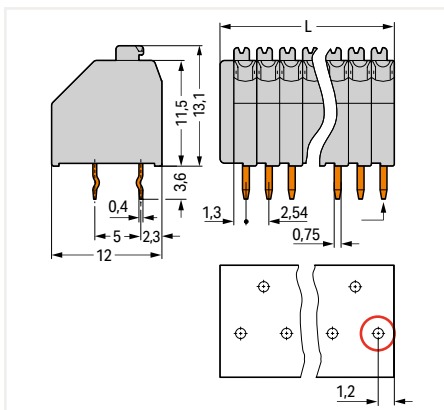
250-1412

Pole No.	Item No.	PU (SPU)
2	250-402	720 (180)
3	250-403	520 (130)
4	250-404	400 (100)
5	250-405	340 (85)
6	250-406	280 (70)
7	250-407	240 (60)
8	250-408	220 (55)
9	250-409	200 (50)
10	250-410	180 (45)
11	250-411	160 (40)
12	250-412	140 (35)
13	250-413	140 (35)
14	250-414	120 (30)
15	250-415	120 (30)
16	250-416	100 (25)
17	250-417	100 (25)
18	250-418	80 (20)
19	250-419	80 (20)
20	250-420	80 (20)
21	250-421	80 (20)
22	250-422	80 (20)
23	250-423	60 (15)
24	250-424	60 (15)

Pole No.	Item No.	PU (SPU)
2	250-1402	720 (180)
3	250-1403	520 (130)
4	250-1404	400 (100)
5	250-1405	340 (85)
6	250-1406	280 (70)
7	250-1407	240 (60)
8	250-1408	200 (50)
9	250-1409	180 (45)
10	250-1410	160 (40)
11	250-1411	160 (40)
12	250-1412	140 (35)
13	250-1413	120 (30)
14	250-1414	120 (30)
15	250-1415	120 (30)
16	250-1416	100 (25)
17	250-1417	100 (25)
18	250-1418	100 (25)
19	250-1419	80 (20)
20	250-1420	80 (20)
21	250-1421	80 (20)
22	250-1422	80 (20)
23	250-1423	80 (20)
24	250-1424	60 (15)



L = (pole no. x pin spacing) + 1.5 mm
First solder pin, front right (red circle)



L = (pole no. x pin spacing) + 1.5 mm
First solder pin, front right (red circle)

PU = Packaging Unit; SPU = Subpackaging Unit; Dimensions in mm

Other versions (or variants) can be requested from WAGO Sales or configured at <https://configurator.wago.com/>.

- Other pole numbers
- Other colors
- Mixed-color PCB connector strips
- Terminal strips with spacers
- Direct marking

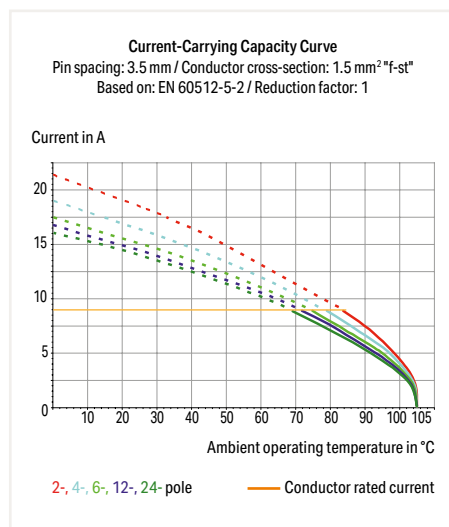
PCB terminal block ▶ 250 Series

Push-in CAGE CLAMP® ▶ Actuation type: Push-button ▶ 1.5 mm² ▶ Solder pin arrangement: Over the entire terminal strip (in-line) ▶ Pin spacing: 3.5 mm / 0.138 inch ▶ Color: gray

1



- Compact terminal strips with push-buttons
- Push-in terminations of solid and ferruled conductors
- Termination/removal of fine-stranded conductors via push-buttons
- 45° conductor entry angle provides easy, space-saving wiring
- Custom color combinations
- Terminal strips also available with spacers upon request



Electrical Data

Pin spacing	3.5 mm / 0.138 inch		
Ratings per	IEC/EN 60664-1		
Overvoltage category	III	III	II
Pollution degree	3	2	2
Rated voltage	160 V	160 V	320 V
Rated impulse voltage	2.5 kV	2.5 kV	2.5 kV
Rated current	8 A	8 A	8 A
Approbations per	UL 1059		
Use group	B	C	D
Rated voltage	300 V	-	300 V
Rated current	5 A	-	5 A
Approbations per	CSA		
Use group	B	C	D
Rated voltage	300 V	-	300 V
Rated current	10 A	-	10 A

Connection Data

Connection technology	Push-in CAGE CLAMP®
Strip length	8.5 ... 9.5 mm / 0.33 ... 0.37 inch
Conductor connection direction to PCB	45°
Solid conductor	0.2 ... 1.5 mm ² / 24 ... 16 AWG
Fine-stranded conductor	0.2 ... 1.5 mm ² / 24 ... 16 AWG
Fine-stranded conductor; with insulated ferrule	0.25 ... 1 mm ²
Fine-stranded conductor; with uninsulated ferrule	0.25 ... 1 mm ²

Material Data

Material group	I
Insulation material	Polyamide (PA66)
Flammability class per UL94	V0
Clamping spring material	Chrome nickel spring steel (CrNi)
Contact material	Electrolytic copper (E _{cu})
Contact plating	Tin-plated

Mechanical Data

Solder pin arrangement	Over the entire terminal strip (in-line)
Solder pin length	3.6 mm
Solder pin dimensions	0.4 x 0.75 mm
Drilled hole diameter with tolerance	1 ^(+0.1) mm

Environmental Requirements

Limit temperature range	-60 ... +105 °C
-------------------------	-----------------

Ferrule [Page 879](#)

Marking [Page 864](#)

Test and measurement [Page 886](#)

Tool [Page 870](#)

See technical section for further information

For approvals and corresponding ratings, visit www.wago.com

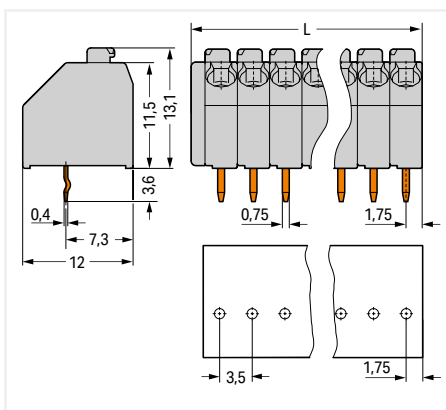
PCB terminal block ▶ 250 Series

Push-in CAGE CLAMP® ▶ Actuation type: Push-button ▶ 1.5 mm² ▶ Solder pin arrangement: Over the entire terminal strip (in-line) ▶ Pin spacing: 3.5 mm / 0.138 inch ▶ Color: gray



250-112

Pole No.	Item No.	PU (SPU)
2	250-102	560 (140)
3	250-103	400 (100)
4	250-104	300 (75)
5	250-105	240 (60)
6	250-106	200 (50)
7	250-107	180 (45)
8	250-108	160 (40)
9	250-109	140 (35)
10	250-110	120 (30)
11	250-111	120 (30)
12	250-112	100 (25)
13	250-113	100 (25)
14	250-114	80 (20)
15	250-115	80 (20)
16	250-116	80 (20)
17	250-117	60 (15)
18	250-118	60 (15)
19	250-119	60 (15)
20	250-120	60 (15)
21	250-121	60 (15)
22	250-122	60 (15)
23	250-123	40 (10)
24	250-124	40 (10)



$L = (\text{pole no.} \times \text{pin spacing}) + 1.5 \text{ mm}$

PU = Packaging Unit; SPU = Subpackaging Unit; Dimensions in mm

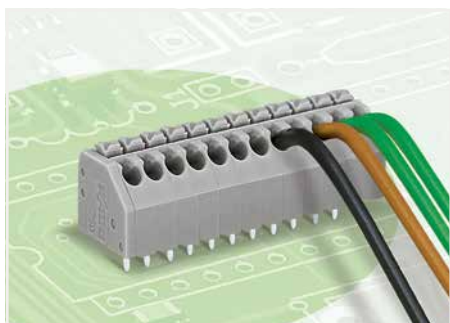
Other versions (or variants) can be requested from WAGO Sales or configured at <https://configurator.wago.com/>.

- Other pole numbers
- Other colors
- Mixed-color PCB connector strips
- Terminal strips with spacers
- Direct marking

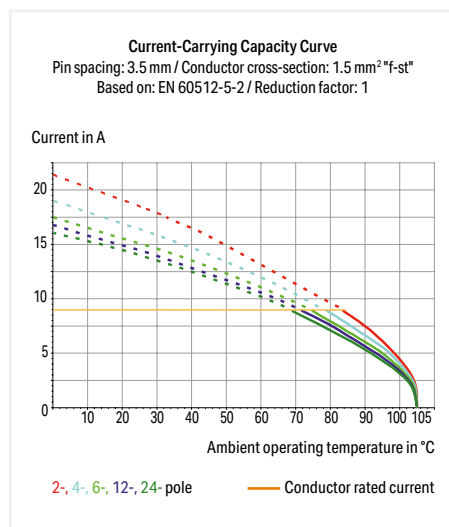
PCB terminal block ▶ 250 Series

Push-in CAGE CLAMP® ▶ Actuation type: Push-button ▶ 1.5 mm² ▶ Solder pin arrangement: Over the entire terminal strip (staggered) ▶ Pin spacing: 3.5 mm / 0.138 inch ▶ Color: gray

1



- Compact terminal strips with push-buttons
- Push-in terminations of solid and ferruled conductors
- Termination/removal of fine-stranded conductors via push-buttons
- 45° conductor entry angle provides easy, space-saving wiring
- Custom color combinations
- Terminal strips also available with spacers upon request



Electrical Data

Pin spacing	3.5 mm / 0.138 inch		
Ratings per	IEC/EN 60664-1		
Overvoltage category	III	III	II
Pollution degree	3	2	2
Rated voltage	250 V	320 V	630 V
Rated impulse voltage	4 kV	4 kV	4 kV
Rated current	8 A	8 A	8 A
Approbations per	UL 1059		
Use group	B	C	D
Rated voltage	300 V	-	300 V
Rated current	8 A	-	5 A
Approbations per	CSA		
Use group	B	C	D
Rated voltage	300 V	-	300 V
Rated current	10 A	-	10 A

Connection Data

Connection technology	Push-in CAGE CLAMP®
Strip length	8.5 ... 9.5 mm / 0.33 ... 0.37 inch
Conductor connection direction to PCB	45°
Solid conductor	0.2 ... 1.5 mm ² / 24 ... 16 AWG
Fine-stranded conductor	0.2 ... 1.5 mm ² / 24 ... 16 AWG
Fine-stranded conductor; with insulated ferrule	0.25 ... 1 mm ²
Fine-stranded conductor; with uninsulated ferrule	0.25 ... 1 mm ²

Material Data

Material group	I
Insulation material	Polyamide (PA66)
Flammability class per UL94	V0
Clamping spring material	Copper alloy
Contact material	Electrolytic copper (E _{cu})
Contact plating	Tin-plated

Mechanical Data

Solder pin arrangement	Over the entire terminal strip (staggered)
Solder pin length	3.6 mm
Solder pin dimensions	0.4 x 0.75 mm
Drilled hole diameter with tolerance	1 ^(+0.1) mm

Environmental Requirements

Limit temperature range	-60 ... +105 °C
-------------------------	-----------------

Ferrule [Page 879](#)

Marking [Page 864](#)

Test and measurement [Page 886](#)

Tool [Page 870](#)

See technical section for further information

For approvals and corresponding ratings, visit www.wago.com

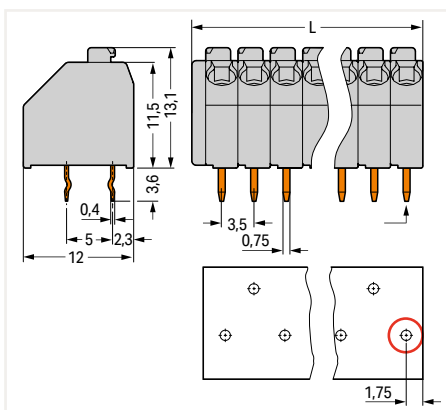
PCB terminal block ▶ 250 Series

Push-in CAGE CLAMP® ▶ Actuation type: Push-button ▶ 1.5 mm² ▶ Solder pin arrangement: Over the entire terminal strip (staggered) ▶ Pin spacing: 3.5 mm / 0.138 inch ▶ Color: gray



250-212

Pole No.	Item No.	PU (SPU)
2	250-202	560 (140)
3	250-203	400 (100)
4	250-204	300 (75)
5	250-205	240 (60)
6	250-206	200 (50)
7	250-207	180 (45)
8	250-208	160 (40)
9	250-209	140 (35)
10	250-210	120 (30)
11	250-211	120 (30)
12	250-212	100 (25)
13	250-213	100 (25)
14	250-214	80 (20)
15	250-215	80 (20)
16	250-216	80 (20)
17	250-217	60 (15)
18	250-218	60 (15)
19	250-219	60 (15)
20	250-220	60 (15)
21	250-221	60 (15)
22	250-222	60 (15)
23	250-223	40 (10)
24	250-224	40 (10)



L = (pole no. x pin spacing) + 1.5 mm
First solder pin, front right (red circle)

PU = Packaging Unit; SPU = Subpackaging Unit; Dimensions in mm

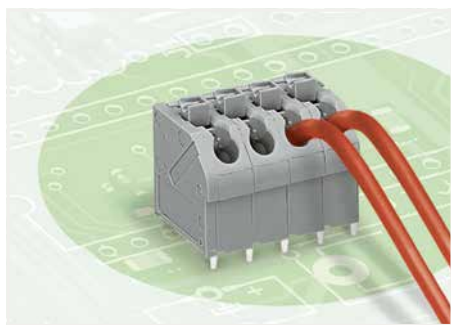
Other versions (or variants) can be requested from WAGO Sales or configured at <https://configurator.wago.com/>.

- Other pole numbers
- Other colors
- Mixed-color PCB connector strips
- Terminal strips with spacers
- Direct marking

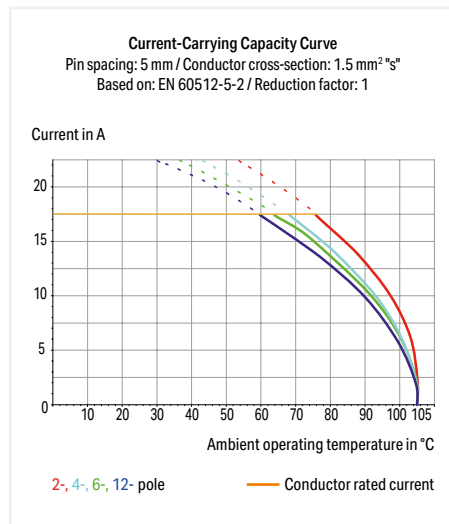
PCB terminal block ▶ 250 Series

Push-in CAGE CLAMP® ▶ Actuation type: Push-button ▶ 1.5 mm² ▶ Solder pin arrangement: Over the entire terminal strip (in-line) ▶ Color: gray

1



- Compact PCB terminal strips with push-buttons
- Push-in termination of solid conductors
- Termination/removal of fine-stranded conductors via push-buttons
- 45° conductor entry angle provides easy, space-saving wiring



Electrical Data

Pin spacing	5 mm / 0.197 inch			7.5 mm / 0.295 inch		
Ratings per	IEC/EN 60664-1					
Overvoltage category	III	III	II	III	III	II
Pollution degree	3	2	2	3	2	2
Rated voltage	320 V	320 V	630 V	500 V	630 V	1000 V
Rated impulse voltage	4 kV	4 kV	4 kV	6 kV	6 kV	6 kV
Rated current	17.5 A	17.5 A	17.5 A	17.5 A	17.5 A	17.5 A
Approbations per	UL 1059			UL 1059		
Use group	B	C	D	B	C	D
Rated voltage	300 V	-	300 V	300 V	-	300 V
Rated current	10 A	-	10 A	10 A	-	10 A
Approbations per	CSA			CSA		
Use group	B	C	D	B	C	D
Rated voltage	300 V	-	300 V	300 V	-	300 V
Rated current	10 A	-	10 A	10 A	-	10 A

Connection Data

Connection technology	Push-in CAGE CLAMP®
Strip length	9 ... 10 mm / 0.35 ... 0.39 inch
Conductor connection direction to PCB	45°
Solid conductor	0.5 ... 1.5 mm ² / 20 ... 14 AWG
Fine-stranded conductor	0.75 ... 1.5 mm ² / 18 ... 16 AWG
Fine-stranded conductor; with insulated ferrule	0.5 ... 1 mm ²
Fine-stranded conductor; with uninsulated ferrule	0.5 ... 1 mm ²

Material Data

Material group	I
Insulation material	Polyamide (PA66)
Flammability class per UL94	V0
Clamping spring material	Chrome nickel spring steel (CrNi)
Contact material	Electrolytic copper (E _{cu})
Contact plating	Tin-plated

Mechanical Data

Solder pin arrangement	Over the entire terminal strip (in-line)
Solder pin length	4 mm
Solder pin dimensions	0.5 x 0.75 mm
Drilled hole diameter with tolerance	1 ^(+0.1) mm

Environmental Requirements

Limit temperature range	-60 ... +105 °C
-------------------------	-----------------

Ferrule [Page 879](#)

Marking [Page 865](#)

Test and measurement [Page 886](#)

Tool [Page 870](#)

See technical section for further information

For approvals and corresponding ratings, visit www.wago.com

PCB terminal block ▶ 250 Series

Push-in CAGE CLAMP® ▶ Actuation type: Push-button ▶ 1.5 mm² ▶ Solder pin arrangement: Over the entire terminal strip (in-line) ▶ Color: gray

Pin spacing: 5 mm / 0.197 inch

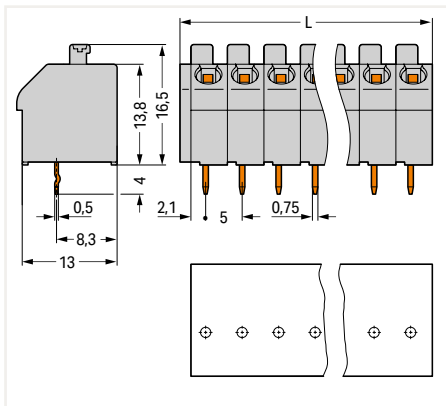
Pin spacing: 7.5 mm / 0.295 inch

1

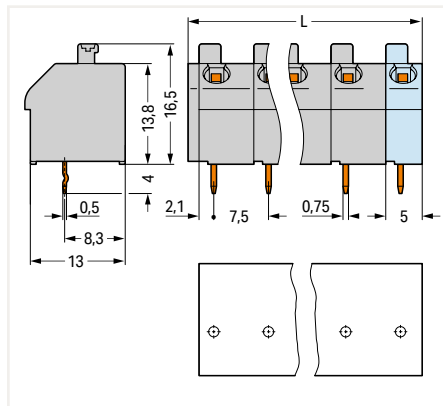


Pole No.	Item No.	PU (SPU)
2	250-502	400 (100)
3	250-503	280 (70)
4	250-504	220 (55)
5	250-505	180 (45)
6	250-506	140 (35)
7	250-507	120 (30)
8	250-508	100 (25)
9	250-509	100 (25)
10	250-510	80 (20)
11	250-511	80 (20)
12	250-512	60 (15)
13	250-513	60 (15)
14	250-514	60 (15)
15	250-515	60 (15)
16	250-516	40 (10)

Pole No.	Item No.	PU (SPU)
2	250-602	340 (85)
3	250-603	200 (50)
4	250-604	160 (40)
5	250-605	120 (30)
6	250-606	100 (25)
7	250-607	80 (20)
8	250-608	60 (15)
9	250-609	60 (15)
10	250-610	60 (15)
11	250-611	40 (10)
12	250-612	40 (10)



$L = (\text{pole no.} \times \text{pin spacing}) + 1.5 \text{ mm}$



$L = (\text{pole no.} - 1) \times \text{pin spacing} + 5 \text{ mm} + 1.5 \text{ mm}$

PU = Packaging Unit; SPU = Subpackaging Unit; Dimensions in mm

Other versions (or variants) can be requested from WAGO Sales or configured at <https://configurator.wago.com/>.

- Other pole numbers
- Other colors
- Mixed-color PCB connector strips
- Direct marking

Double-deck PCB terminal block ▶ 250 Series

Push-in CAGE CLAMP® ▶ Actuation type: Push-button ▶ 1.5 mm² ▶ Solder pin arrangement: Over the entire terminal strip (in-line) ▶ Pin spacing: 5 mm / 0.197 inch ▶ Color: agate gray

1



- Space-saving, double-deck terminal strips with push-buttons
- Push-in termination of solid and ferruled conductors
- Termination/removal of fine-stranded conductors via push-buttons
- 45° conductor entry angle provides easy, space-saving wiring

Electrical Data			
Pin spacing	5 mm / 0.197 inch		
Ratings per	IEC/EN 60664-1		
Overvoltage category	III	III	II
Pollution degree	3	2	2
Rated voltage	320 V	320 V	630 V
Rated impulse voltage	4 kV	4 kV	4 kV
Rated current	10 A	10 A	10 A
Approbations per	UL 1059		
Use group	B	C	D
Rated voltage	300 V	-	300 V
Rated current	10 A	-	10 A
Approbations per	CSA		
Use group	B	C	D
Rated voltage	300 V	-	300 V
Rated current	10 A	-	10 A
Connection Data			
Connection technology	Push-in CAGE CLAMP®		
Strip length	9 ... 10 mm / 0.35 ... 0.39 inch		
Conductor connection direction to PCB	45°		
Solid conductor	0.5 ... 1.5 mm ² / 20 ... 16 AWG		
Fine-stranded conductor	0.75 ... 1.5 mm ²		
Fine-stranded conductor; with insulated ferrule	0.5 ... 1 mm ²		
Fine-stranded conductor; with uninsulated ferrule	0.5 ... 1 mm ²		
Material Data			
Insulation material	Polyamide (PA66)		
Flammability class per UL94	V0		
Clamping spring material	Chrome nickel spring steel (CrNi)		
Contact material	Electrolytic copper (E _{Cu})		
Contact plating	Tin-plated		
Mechanical Data			
Solder pin arrangement	Over the entire terminal strip (in-line)		
Solder pin length	4 mm		
Solder pin dimensions	0.5 x 0.75 mm		
Drilled hole diameter with tolerance	1.2 ^{+0.1 ... +0.1} mm		

Ferrule [Page 879](#)

Marking [Page 865](#)

Test and measurement [Page 886](#)

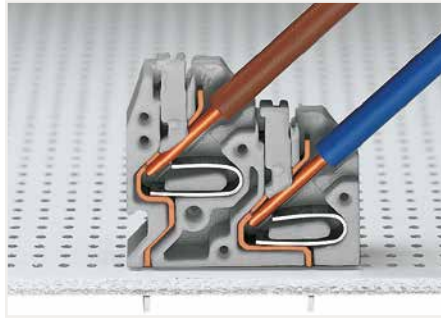
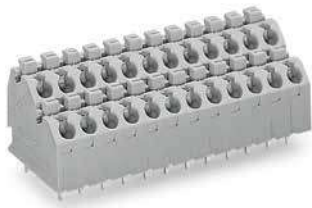
Tool [Page 870](#)

See technical section for further information

For approvals and corresponding ratings, visit www.wago.com

Double-deck PCB terminal block ▶ 250 Series

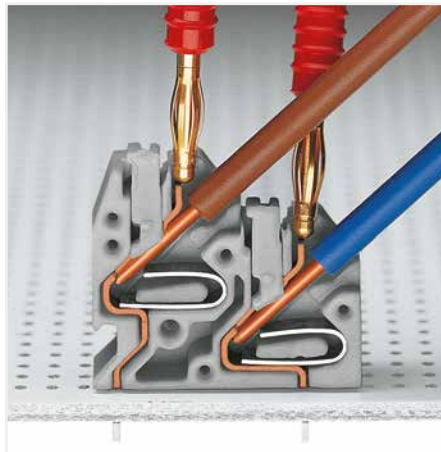
Push-in CAGE CLAMP® ▶ Actuation type: Push-button ▶ 1.5 mm² ▶ Solder pin arrangement: Over the entire terminal strip (in-line) ▶ Pin spacing: 5 mm / 0.197 inch ▶ Color: agate gray



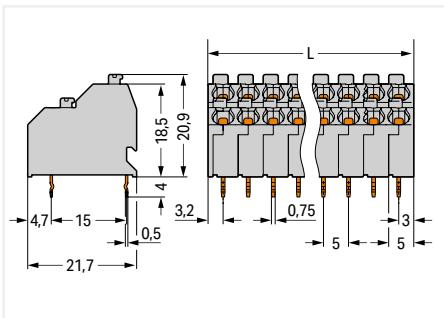
250-712

Space-saving wiring – push-in termination of solid conductors.

Pole No.	Item No.	PU (SPU)
4	250-702	264 (66)
6	250-703	180 (45)
8	250-704	132 (33)
12	250-706	84 (21)
16	250-708	72 (18)
20	250-710	48 (12)
24	250-712	48 (12)
32	250-716	36 (9)



Testing with 2 mm Ø test plug – touch contact.



$L = (\text{pole no.} \times \text{pin spacing}) + 1.2 \text{ mm}$

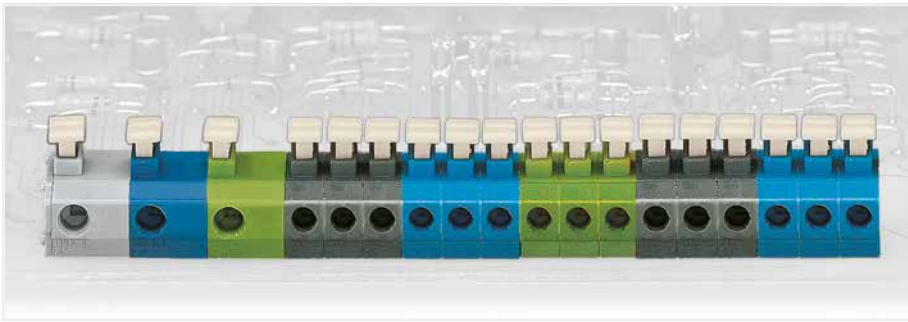
PU = Packaging Unit; SPU = Subpackaging Unit; Dimensions in mm

Other versions (or variants) can be requested from WAGO Sales or configured at <https://configurator.wago.com/>.

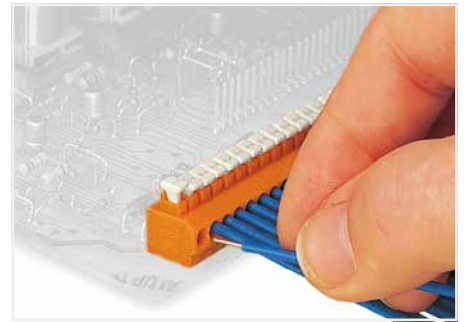
- Other pole numbers
- Other colors
- Direct marking

235 Series Description and Installation

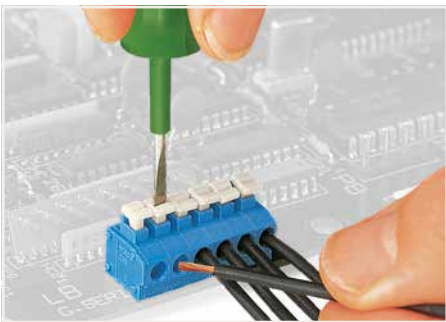
1



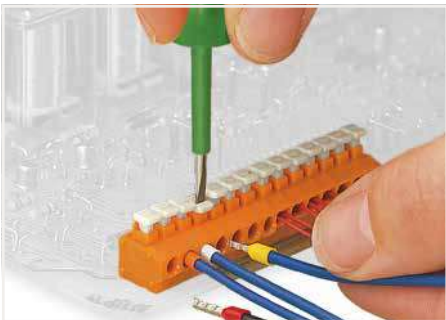
Combining terminal blocks with different housing colors and pin spacing.



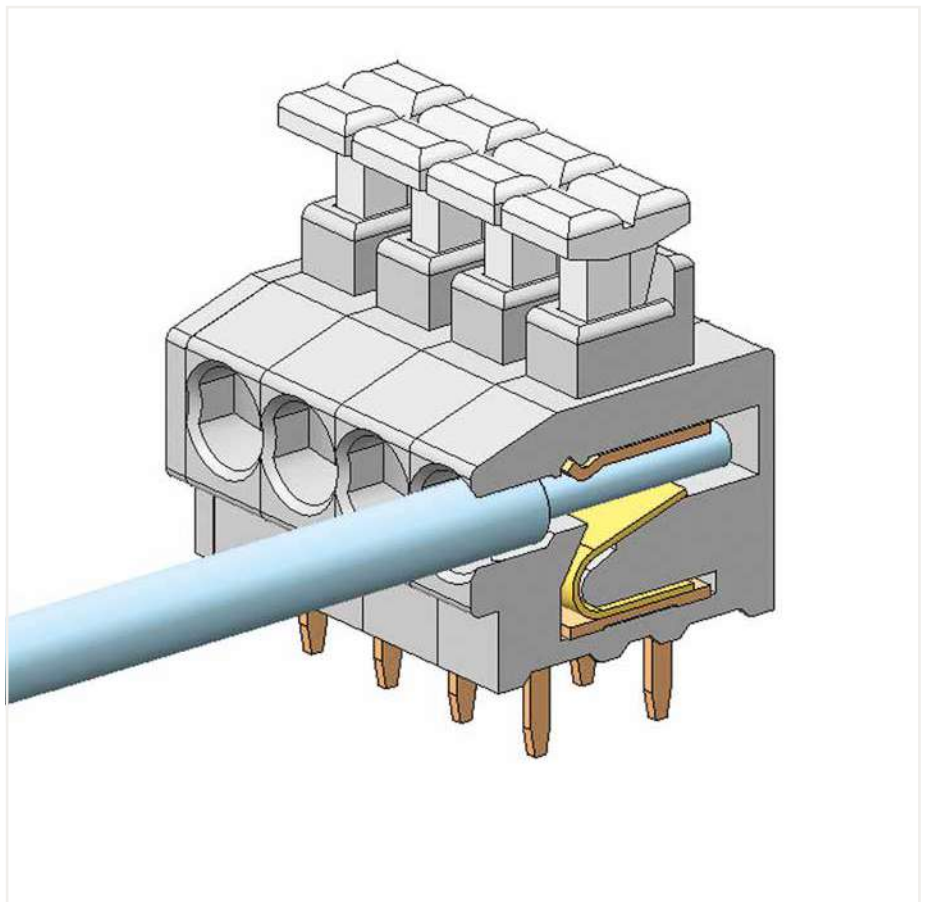
Inserting solid conductors via push-in termination.



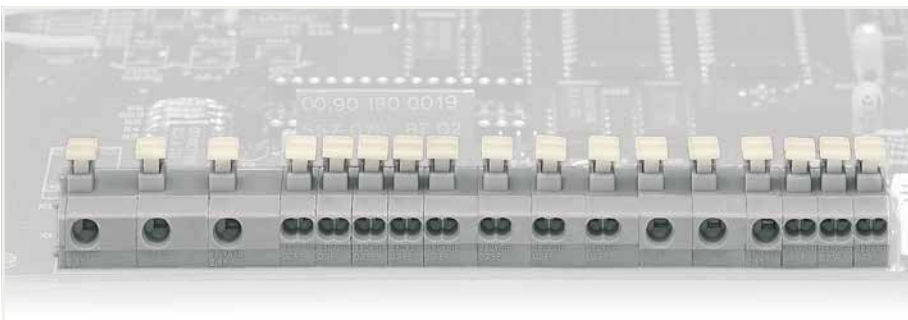
Inserting/removing fine-stranded conductors via push-button.



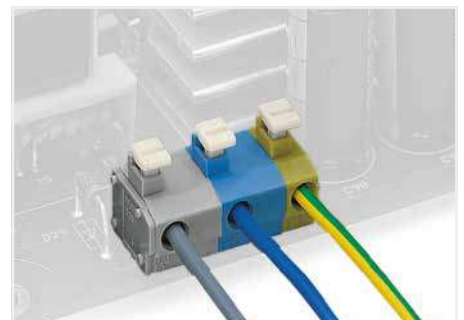
Inserting/removing fine-stranded conductors with ferrules via push-button.



235 Series



Combining 1- and 2-conductor terminal blocks with different pin spacing 2-conductor terminal blocks, see www.wago.com

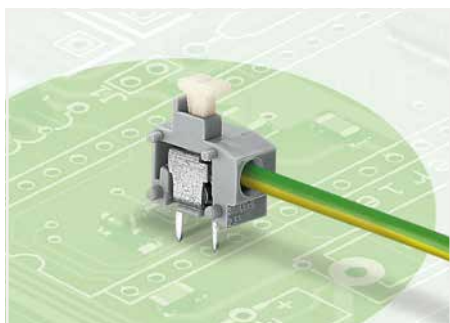


Application example: field-wiring terminal strip

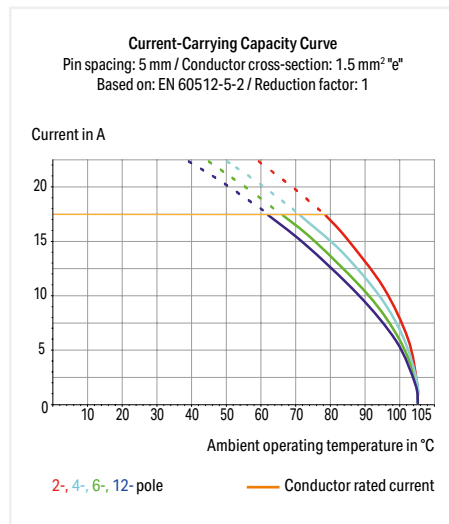
Stackable PCB terminal block ▶ 235 Series

Push-in CAGE CLAMP® ▶ Actuation type: Push-button ▶ 1.5 mm²

1



- Modular PCB terminal blocks with push-buttons for custom terminal strip assemblies
- Push-in termination of solid and ferruled conductors
- Convenient termination/removal of fine-stranded conductors via push-buttons
- Set to metric or inch pin spacing by compressing terminal strips or pulling them apart

**Electrical Data**

Pin spacing	5/5.08 mm / 0.197/0.2 inch			7.5/7.62 mm / 0.295/0.3 inch			10/10.16 mm / 0.394/0.4 inch		
Ratings per	IEC/EN 60664-1			IEC/EN 60664-1			IEC/EN 60664-1		
Overtoltage category	III	III	II	III	III	II	III	III	II
Pollution degree	3	2	2	3	2	2	3	2	2
Rated voltage	250 V	320 V	630 V	400 V	630 V	1000 V	630 V	1000 V	1000 V
Rated impulse voltage	4 kV	4 kV	4 kV	6 kV	6 kV	6 kV	8 kV	8 kV	8 kV
Rated current	17.5 A	17.5 A	17.5 A	17.5 A	17.5 A	17.5 A	17.5 A	17.5 A	17.5 A

Approbations per	UL 1059			UL 1059			UL 1059		
Use group	B	C	D	B	C	D	B	C	D
Rated voltage	300 V	-	300 V	300 V	-	300 V	300 V	-	300 V
Rated current	10 A	-	10 A	10 A	-	10 A	10 A	-	10 A

Approbations per	CSA			CSA			CSA		
Use group	B	C	D	B	C	D	B	C	D
Rated voltage	300 V	-	-	300 V	-	-	300 V	-	-
Rated current	15 A	-	-	15 A	-	-	15 A	-	-

Connection Data

Connection technology	Push-in CAGE CLAMP®
Strip length	9 ... 10 mm / 0.35 ... 0.39 inch
Conductor connection direction to PCB	0°
Solid conductor	0.2 ... 1.5 mm ² / 20 ... 14 AWG
Fine-stranded conductor	0.75 ... 1.5 mm ² / 20 ... 14 AWG
Fine-stranded conductor; with insulated ferrule	0.25 ... 1 mm ²
Fine-stranded conductor; with uninsulated ferrule	0.25 ... 1 mm ²

Material Data

Material group	I
Insulation material	Polyamide (PA66)
Flammability class per UL94	V0
Clamping spring material	Chrome nickel spring steel (CrNi)
Contact material	Electrolytic copper (E _{cu})
Contact plating	Tin-plated

Mechanical Data

Solder pin arrangement	Within the terminal block (in-line)
Solder pin length	3.6 mm
Solder pin dimensions	0.4 x 0.8 mm
Drilled hole diameter with tolerance	1 ^(+0.1) mm

Environmental Requirements

Limit temperature range	-60 ... +105 °C
-------------------------	-----------------

Ferrule	Page 879
---------	----------

Marking	Page 865
---------	----------

Tool	Page 870
------	----------

See technical section for further information

For approvals and corresponding ratings, visit www.wago.com

Stackable PCB terminal block ▶ 235 Series

Push-in CAGE CLAMP® ▶ Actuation type: Push-button ▶ 1.5 mm²

Pin spacing: 5/5.08 mm / 0.197/0.2 inch

Pin spacing: 7.5/7.62 mm / 0.295/0.3 inch

Pin spacing: 10/10.16 mm / 0.394/0.4 inch



235-401/331-000



235-501/331-000

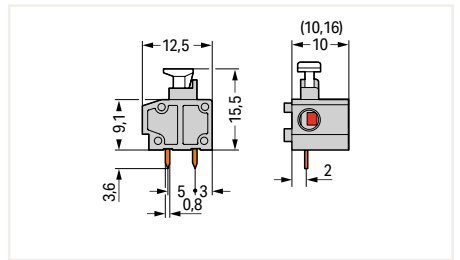
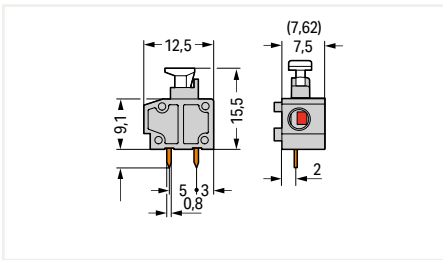
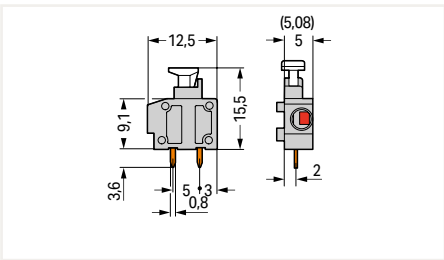


235-801/331-000

Color	Item No.	PU (SPU)
gray	235-401/331-000	800 (100)
blue	235-744/331-000	800 (100)
orange	235-746/331-000	800 (100)
white	235-745/331-000	800 (100)
black	235-748/331-000	800 (100)
yellow	235-741/331-000	800 (100)
light gray	235-743/331-000	800 (100)
light green	235-747/331-000	800 (100)
violet	235-749/331-000	800 (100)
red	235-740/331-000	800 (100)
dark gray	235-742/331-000	800 (100)

Color	Item No.	PU (SPU)
gray	235-501/331-000	600 (100)
blue	235-754/331-000	600 (100)
orange	235-756/331-000	600 (100)
black	235-758/331-000	600 (100)
light gray	235-753/331-000	600 (100)
light green	235-757/331-000	600 (100)
dark gray	235-752/331-000	600 (100)

Color	Item No.	PU (SPU)
gray	235-801/331-000	400 (100)
blue	235-764/331-000	400 (100)
orange	235-766/331-000	400 (100)
light green	235-767/331-000	400 (100)
dark gray	235-762/331-000	400 (100)



Accessories; for all products on this page



End plate; Width: 1 mm; snap-on type

Color	Item No.	PU (SPU)
gray	235-100	2000 (100)
blue	235-400	2000 (100)
orange	235-600	2000 (100)
white	235-850	2000 (100)
black	235-500	2000 (100)
yellow	235-550	2000 (100)
light gray	235-300	2000 (100)
light green	235-700	2000 (100)
violet	235-650	2000 (100)
red	235-800	2000 (100)
dark gray	235-200	2000 (100)



Intermediate plate; Extends pin spacing; Width: 5 mm / 0.197 inch

Color	Item No.	PU (SPU)
gray	235-701	1000 (100)

PU = Packaging Unit; SPU = Subpackaging Unit; Dimensions in mm

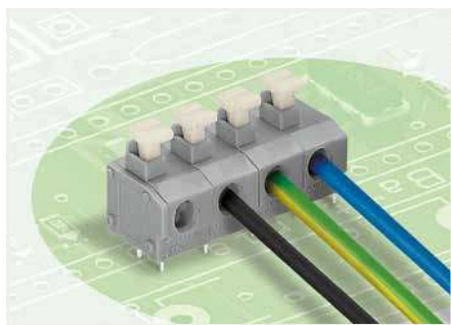
Other versions (or variants) can be requested from WAGO Sales or configured at <https://configurator.wago.com/>.

- Other colors

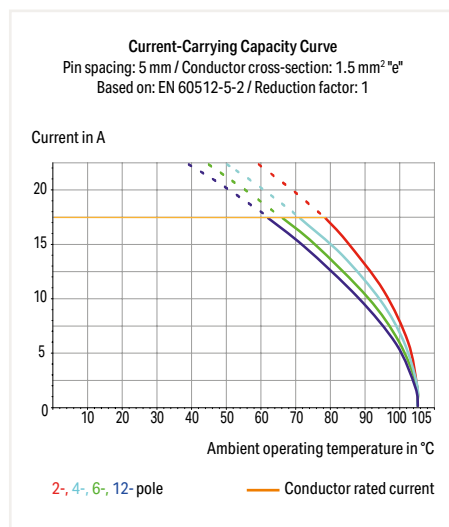
PCB terminal block ▶ 235 Series

Push-in CAGE CLAMP® ▶ Actuation type: Push-button ▶ 1.5 mm² ▶ Pin spacing: 5/5.08 mm / 0.197/0.2 inch ▶ Color: gray

1



- PCB terminal strips with push-buttons
- Push-in termination of solid and ferruled conductors
- Convenient termination/removal of fine-stranded conductors via push-buttons
- Set to metric or inch pin spacing by compressing terminal strips or pulling them apart



Electrical Data

Pin spacing	5/5.08 mm / 0.197/0.2 inch		
Ratings per	IEC/EN 60664-1		
Overvoltage category	III	III	II
Pollution degree	3	2	2
Rated voltage	250 V	320 V	630 V
Rated impulse voltage	4 kV	4 kV	4 kV
Rated current	17.5 A	17.5 A	17.5 A
Approbations per	UL 1059		
Use group	B	C	D
Rated voltage	300 V	-	300 V
Rated current	10 A	-	10 A
Approbations per	CSA		
Use group	B	C	D
Rated voltage	300 V	-	-
Rated current	15 A	-	-

Connection Data

Connection technology	Push-in CAGE CLAMP®
Strip length	9 ... 10 mm / 0.35 ... 0.39 inch
Conductor connection direction to PCB	0°
Solid conductor	0.2 ... 1.5 mm ² / 20 ... 14 AWG
Fine-stranded conductor	0.75 ... 1.5 mm ² / 20 ... 14 AWG
Fine-stranded conductor; with insulated ferrule	0.25 ... 1 mm ²
Fine-stranded conductor; with uninsulated ferrule	0.25 ... 1 mm ²

Material Data

Material group	I
Insulation material	Polyamide (PA66)
Flammability class per UL94	V0
Clamping spring material	Chrome nickel spring steel (CrNi)
Contact material	Electrolytic copper (E _{cu})
Contact plating	Tin-plated

Mechanical Data

Solder pin arrangement	Over the entire terminal strip (in-line)
Solder pin length	3.6 mm
Solder pin dimensions	0.4 x 0.8 mm
Drilled hole diameter with tolerance	1 ^(+0.1) mm

Environmental Requirements

Limit temperature range	-60 ... +105 °C
-------------------------	-----------------

Ferrule Page 879

Marking Page 865

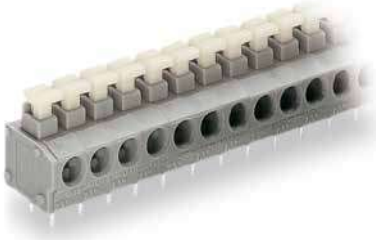
Tool Page 870

See technical section for further information

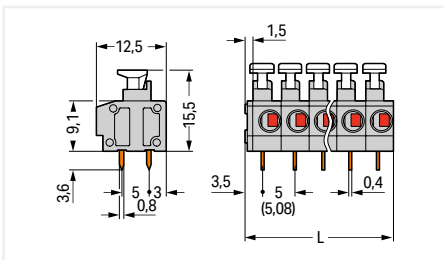
For approvals and corresponding ratings, visit www.wago.com

PCB terminal block ▶ 235 Series

Push-in CAGE CLAMP® ▶ Actuation type: Push-button ▶ 1.5 mm² ▶ Pin spacing: 5/5.08 mm / 0.197/0.2 inch ▶ Color: gray



Pole No.	Item No.	PU (SPU)
2	235-402/331-000	420 (105)
3	235-403/331-000	280 (70)
4	235-404/331-000	220 (55)
5	235-405/331-000	180 (45)
6	235-406/331-000	140 (35)
7	235-407/331-000	120 (30)
8	235-408/331-000	100 (25)
9	235-409/331-000	100 (25)
10	235-410/331-000	80 (20)
12	235-412/331-000	60 (15)



$L = (\text{pole no.} \times \text{pin spacing}) + 1.5 \text{ mm}$

PU = Packaging Unit; SPU = Subpackaging Unit; Dimensions in mm

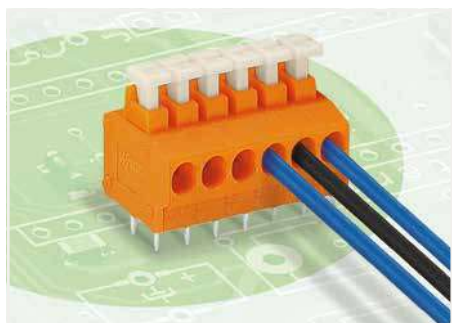
Other versions (or variants) can be requested from WAGO Sales or configured at <https://configurator.wago.com/>.

- Other pole numbers
- Other colors
- Terminal strips with 7.5/7.62 mm and 10/10.16 mm pin spacing
- Mixed-color PCB connector strips
- Direct marking

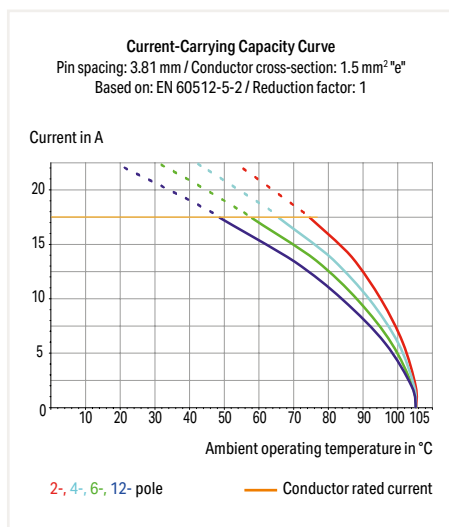
Stackable PCB terminal block ▶ 235 Series

Push-in CAGE CLAMP® ▶ Actuation type: Push-button ▶ 1.5 mm² ▶ Pin spacing: 3.81 mm / 0.15 inch

1



- Push-in termination of solid and ferruled conductors
- Convenient termination/removal of fine-stranded conductors via push-buttons



Electrical Data

Pin spacing	3.81 mm / 0.15 inch		
Ratings per	IEC/EN 60664-1		
Overvoltage category	III	III	II
Pollution degree	3	2	2
Rated voltage	200 V	320 V	500 V
Rated impulse voltage	4 kV	4 kV	4 kV
Rated current	17.5 A	17.5 A	17.5 A
Approbations per	UL 1059		
Use group	B	C	D
Rated voltage	300 V	-	300 V
Rated current	10 A	-	10 A
Approbations per	CSA		
Use group	B	C	D
Rated voltage	300 V	-	-
Rated current	10 A	-	-

Connection Data

Connection technology	Push-in CAGE CLAMP®
Strip length	9 ... 10 mm / 0.35 ... 0.39 inch
Conductor connection direction to PCB	0°
Solid conductor	0.5 ... 1.5 mm ² / 20 ... 16 AWG
Fine-stranded conductor	0.75 ... 1.5 mm ² / 20 ... 16 AWG
Fine-stranded conductor; with insulated ferrule	0.25 ... 1 mm ²
Fine-stranded conductor; with uninsulated ferrule	0.25 ... 1 mm ²

Material Data

Material group	I
Insulation material	Polyamide (PA66)
Flammability class per UL94	V0
Clamping spring material	Chrome nickel spring steel (CrNi)
Contact material	Electrolytic copper (E _{cu})
Contact plating	Tin-plated

Mechanical Data

Solder pin arrangement	Within the terminal block (in-line)
Solder pin length	3.6 mm
Solder pin dimensions	0.4 x 0.8 mm
Drilled hole diameter with tolerance	1 ^(+0.1) mm

Environmental Requirements

Limit temperature range	-60 ... +105 °C
-------------------------	-----------------

Ferrule [Page 879](#)

Marking [Page 864](#)

Tool [Page 870](#)

See technical section for further information

For approvals and corresponding ratings, visit www.wago.com

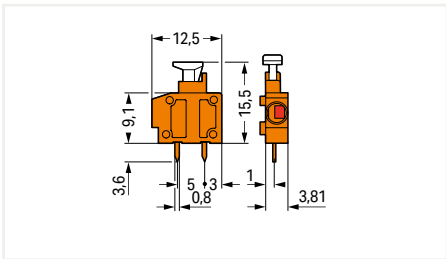
Stackable PCB terminal block ▶ 235 Series

Push-in CAGE CLAMP® ▶ Actuation type: Push-button ▶ 1.5 mm² ▶ Pin spacing: 3.81 mm / 0.15 inch



235-101

Color	Item No.	PU (SPU)
gray	235-771	800 (100)
blue	235-774	800 (100)
orange	235-101	800 (100)
white	235-775	800 (100)
black	235-778	800 (100)
yellow	235-776	800 (100)
light green	235-777	800 (100)
red	235-770	800 (100)
dark gray	235-772	800 (100)



Accessories; for all products on this page



End plate; Width: 1 mm; snap-on type

Color	Item No.	PU (SPU)
gray	235-100	2000 (100)
blue	235-400	2000 (100)
orange	235-600	2000 (100)
white	235-850	2000 (100)
black	235-500	2000 (100)
yellow	235-550	2000 (100)
light green	235-700	2000 (100)
red	235-800	2000 (100)
dark gray	235-200	2000 (100)

PU = Packaging Unit; SPU = Subpackaging Unit; Dimensions in mm

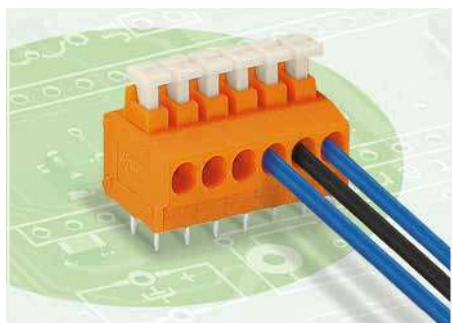
Other versions (or variants) can be requested from WAGO Sales or configured at <https://configurator.wago.com/>.

- Other colors

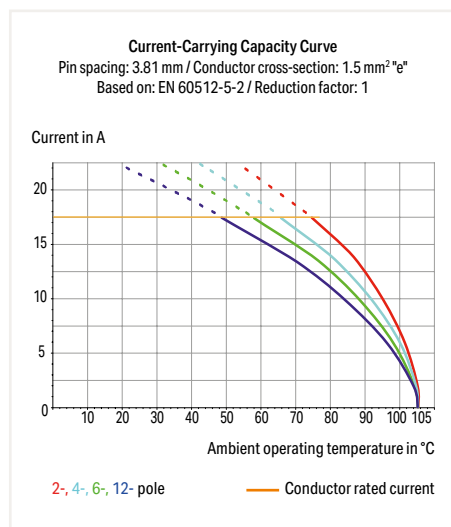
PCB terminal block ▶ 235 Series

Push-in CAGE CLAMP® ▶ Actuation type: Push-button ▶ 1.5 mm² ▶ Pin spacing: 3.81 mm / 0.15 inch ▶ Color: orange

1



- PCB terminal strips with push-buttons
- Push-in termination of solid and ferruled conductors
- Convenient termination/removal of fine-stranded conductors via push-buttons



Electrical Data

Pin spacing	3.81 mm / 0.15 inch		
Ratings per	IEC/EN 60664-1		
Overvoltage category	III	III	II
Pollution degree	3	2	2
Rated voltage	200 V	320 V	500 V
Rated impulse voltage	4 kV	4 kV	4 kV
Rated current	17.5 A	17.5 A	17.5 A
Approbations per	UL 1059		
Use group	B	C	D
Rated voltage	300 V	-	300 V
Rated current	10 A	-	10 A
Approbations per	CSA		
Use group	B	C	D
Rated voltage	300 V	-	-
Rated current	10 A	-	-

Connection Data

Connection technology	Push-in CAGE CLAMP®
Strip length	9 ... 10 mm / 0.35 ... 0.39 inch
Conductor connection direction to PCB	0°
Solid conductor	0.5 ... 1.5 mm ² / 20 ... 16 AWG
Fine-stranded conductor	0.75 ... 1.5 mm ² / 20 ... 16 AWG
Fine-stranded conductor; with insulated ferrule	0.25 ... 1 mm ²
Fine-stranded conductor; with uninsulated ferrule	0.25 ... 1 mm ²

Material Data

Material group	I
Insulation material	Polyamide (PA66)
Flammability class per UL94	V0
Clamping spring material	Chrome nickel spring steel (CrNi)
Contact material	Electrolytic copper (E _{cu})
Contact plating	Tin-plated

Mechanical Data

Solder pin arrangement	Over the entire terminal strip (in-line)
Solder pin length	3.6 mm
Solder pin dimensions	0.4 x 0.8 mm
Drilled hole diameter with tolerance	1 ^(+0.1) mm

Environmental Requirements

Limit temperature range	-60 ... +105 °C
-------------------------	-----------------

Ferrule Page 879

Marking Page 864

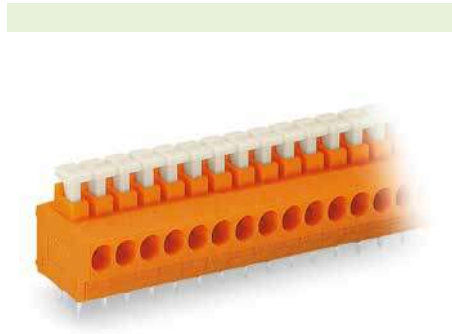
Tool Page 870

See technical section for further information

For approvals and corresponding ratings, visit www.wago.com

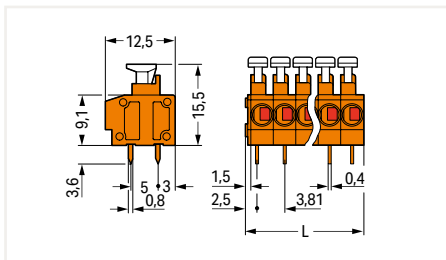
PCB terminal block ▶ 235 Series

Push-in CAGE CLAMP® ▶ Actuation type: Push-button ▶ 1.5 mm² ▶ Pin spacing: 3.81 mm / 0.15 inch ▶ Color: orange



1

Pole No.	Item No.	PU (SPU)
2	235-102	520 (130)
3	235-103	360 (90)
4	235-104	280 (70)
5	235-105	220 (55)
6	235-106	180 (45)
7	235-107	160 (40)
8	235-108	140 (35)
9	235-109	120 (30)
10	235-110	120 (30)
12	235-112	100 (25)



$L = (\text{pole no.} \times \text{pin spacing}) + 1.5 \text{ mm}$

PU = Packaging Unit; SPU = Subpackaging Unit; Dimensions in mm

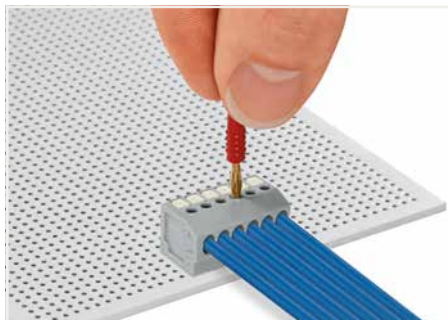
Other versions (or variants) can be requested from WAGO Sales or configured at <https://configurator.wago.com/>.

- Other pole numbers
- Other colors
- Mixed-color PCB connector strips
- Direct marking

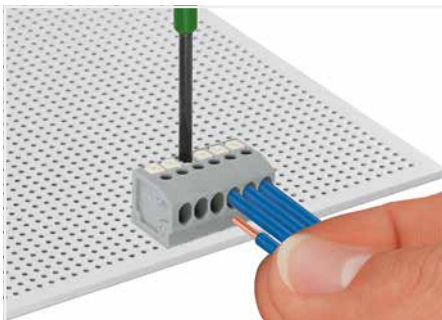
805 Series

Description and Installation

1



Testing with 2 mm Ø test plug.



Terminating solid conductors by simply pushing them in. Removing conductors and inserting fine-stranded conductors via push-buttons.



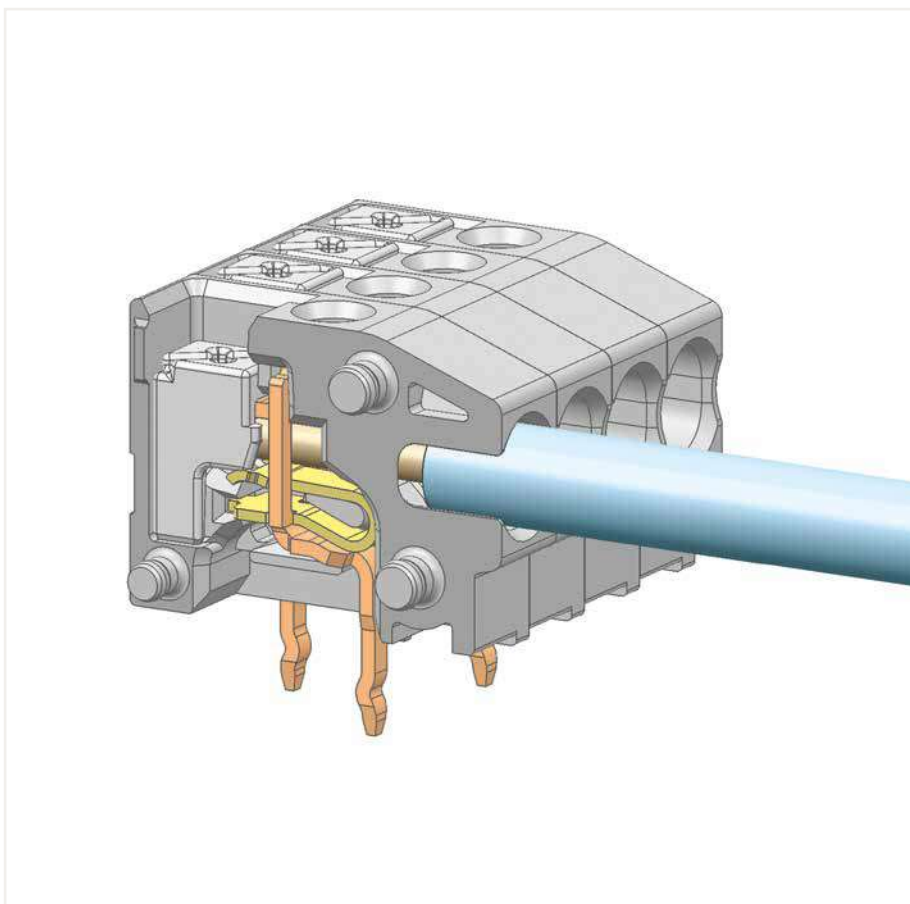
Mixed-color terminal strips are available upon request.



Terminal strips with spacers and enlarged conductor entry (5 mm pin spacing) are available upon request.



WAGO's 805 Series Terminal Strips provide "internal commoning" to meet requirements that ban routing the ground conductor over the board. This enables custom terminal strips to be commoned and marked at the factory upon request.

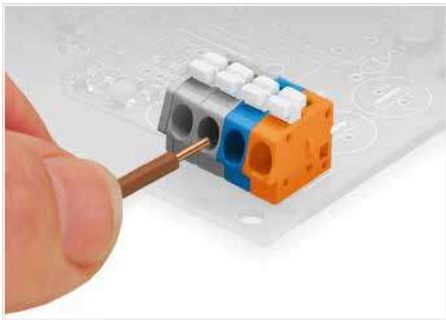


805 Series

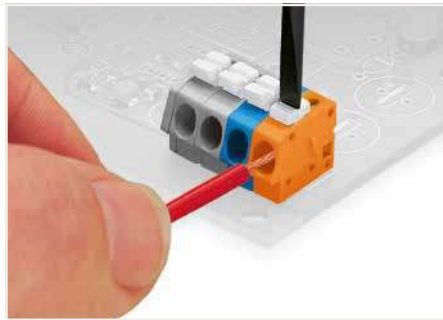
804 Series

Description and Installation

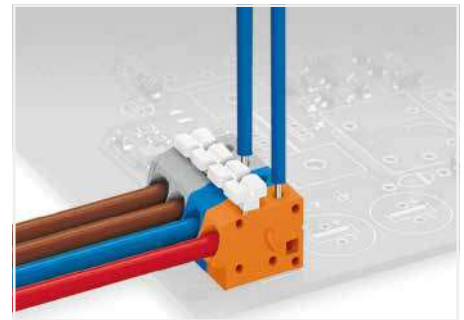
1



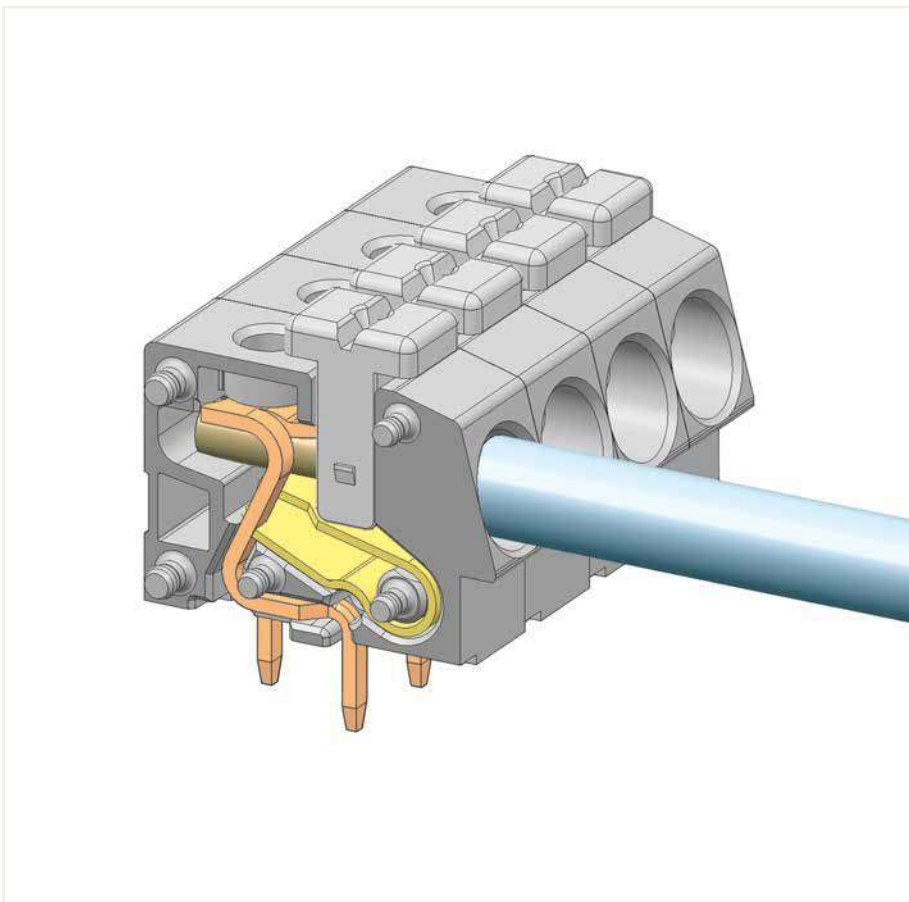
Terminating solid conductors: Simply push in stripped conductor until it hits backstop.



Inserting/removing fine-stranded conductors: Open the clamping unit via push-button and insert stripped conductor until it hits backstop.



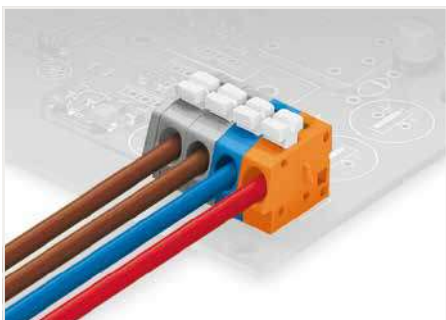
Testing with 1 mm Ø test pin – manual touch contact.



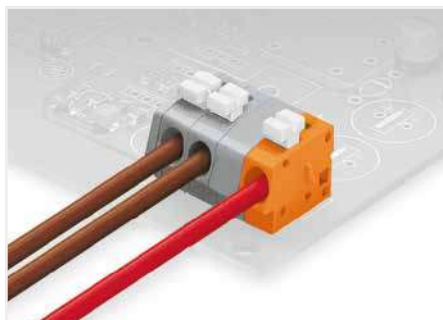
804 Series



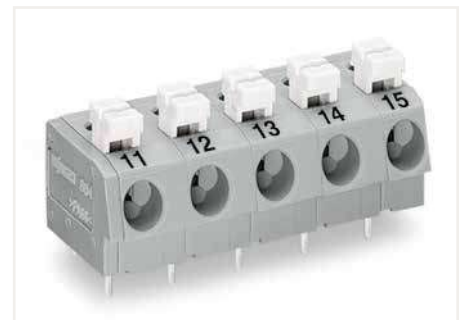
WAGO's 804 Series Terminal Strips provide "internal commoning" to meet requirements that ban routing the ground conductor over the board. This enables custom terminal strips to be commoned and marked at the factory upon request.



Mixed-color terminal strips are available upon request.



Terminal strips with spacer are available upon request.



Labeling via self-adhesive marking strips or factory direct marking.

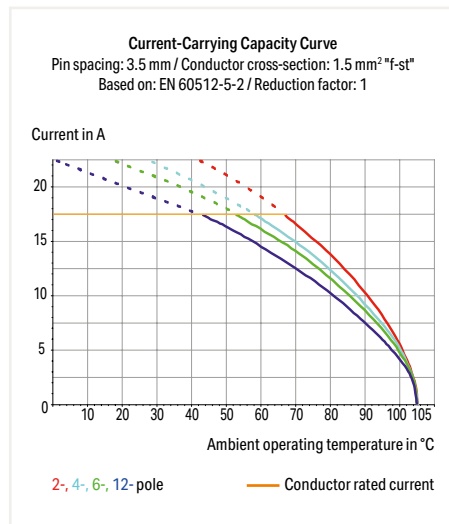
PCB terminal block ▶ 805 Series

Push-in CAGE CLAMP® ▶ Actuation type: Push-button ▶ 1.5 mm² ▶ Solder pin arrangement: Over the entire terminal strip (in-line) ▶ Pin spacing: 3.5 mm / 0.138 inch ▶ Color: gray

1



- PCB terminal strips with push-buttons and Push-in CAGE CLAMP® connection
- Push-in termination of solid and ferruled conductors
- Flush-mount push-buttons that close with minimal force for convenient termination/removal of fine-stranded conductors
- Convenient, tool-free operation
- Versions with/without test slots and spacers
- Versions available with custom internal commoning (factory assembly), e.g., commoning ground conductor



Electrical Data

Pin spacing	3.5 mm / 0.138 inch		
Ratings per	IEC/EN 60664-1		
Overvoltage category	III	III	II
Pollution degree	3	2	2
Rated voltage	160 V	160 V	320 V
Rated impulse voltage	2.5 kV	2.5 kV	2.5 kV
Rated current	17.5 A	17.5 A	17.5 A
Approbations per	UL 1059		
Use group	B	C	D
Rated voltage	300 V	150 V	300 V
Rated current	10 A	10 A	10 A

Connection Data

Connection technology	Push-in CAGE CLAMP®
Strip length	9 ... 10 mm / 0.35 ... 0.39 inch
Conductor connection direction to PCB	0°
Solid conductor	0.2 ... 1.5 mm ² / 24 ... 16 AWG
Fine-stranded conductor	0.2 ... 1.5 mm ² / 24 ... 16 AWG
Fine-stranded conductor; with insulated ferrule	0.25 ... 1 mm ²
Fine-stranded conductor; with uninsulated ferrule	0.25 ... 1 mm ²

Material Data

Material group	I
Insulation material	Polyamide (PA66)
Flammability class per UL94	V0
Clamping spring material	Chrome nickel spring steel (CrNi)
Contact material	Electrolytic copper (E ₀)
Contact plating	Tin-plated

Mechanical Data

Solder pin arrangement	Over the entire terminal strip (in-line)
Solder pin length	3.2 mm
Solder pin dimensions	0.5 x 0.75 mm
Drilled hole diameter with tolerance	1.1 ^(+0.1) mm

Environmental Requirements

Limit temperature range	-60 ... +105 °C
-------------------------	-----------------

Ferrule Page 879

Marking Page 864

Test and measurement Page 886

Tool Page 870

See technical section for further information

For approvals and corresponding ratings, visit www.wago.com

PCB terminal block ▶ 805 Series

Push-in CAGE CLAMP® ▶ Actuation type: Push-button ▶ 1.5 mm² ▶ Solder pin arrangement: Over the entire terminal strip (in-line) ▶ Pin spacing: 3.5 mm / 0.138 inch ▶ Color: gray

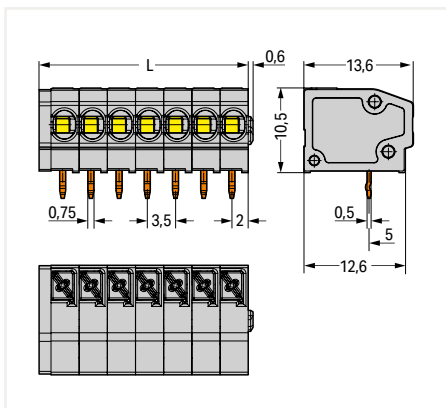
Number of test slots: 1



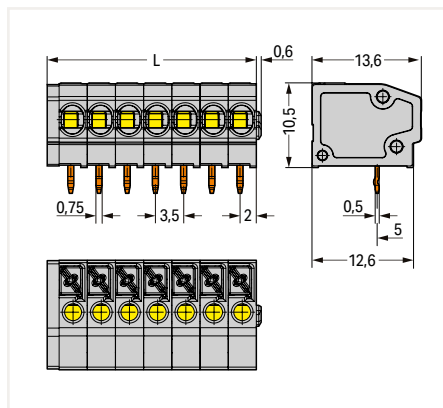
805-356

805-156

Pole No.	Item No.	PU (SPU)	Pole No.	Item No.	PU (SPU)
2	805-352	600 (150)	2	805-152	600 (150)
3	805-353	420 (105)	3	805-153	420 (105)
4	805-354	300 (75)	4	805-154	320 (80)
5	805-355	260 (65)	5	805-155	260 (65)
6	805-356	220 (55)	6	805-156	220 (55)
7	805-357	180 (45)	7	805-157	180 (45)
8	805-358	160 (40)	8	805-158	160 (40)
9	805-359	140 (35)	9	805-159	140 (35)
10	805-360	120 (30)	10	805-160	120 (30)
11	805-361	100 (25)	11	805-161	100 (25)
12	805-362	100 (25)	12	805-162	100 (25)
13	805-363	100 (25)	13	805-163	100 (25)
14	805-364	100 (25)	14	805-164	100 (25)
15	805-365	80 (20)	15	805-165	80 (20)
16	805-366	80 (20)	16	805-166	80 (20)
17	805-367	80 (20)	17	805-167	80 (20)
18	805-368	60 (15)	18	805-168	60 (15)
19	805-369	60 (15)	19	805-169	60 (15)
20	805-370	60 (15)	20	805-170	60 (15)
21	805-371	60 (15)	21	805-171	60 (15)
22	805-372	60 (15)	22	805-172	60 (15)
23	805-373	60 (15)	23	805-173	60 (15)
24	805-374	40 (10)	24	805-174	40 (10)



L = (pole no. x pin spacing) + 1.5 mm



L = (pole no. x pin spacing) + 1.5 mm

PU = Packaging Unit; SPU = Subpackaging Unit; Dimensions in mm

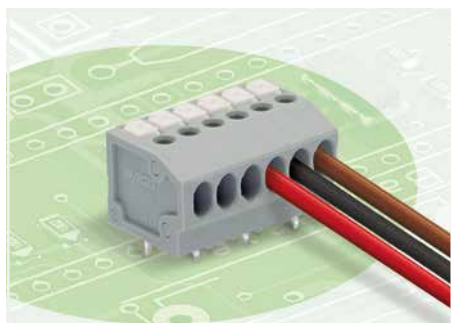
Other versions (or variants) can be requested from WAGO Sales or configured at <https://configurator.wago.com/>.

- Other pole numbers
- Other colors
- Mixed-color PCB connector strips
- Direct marking

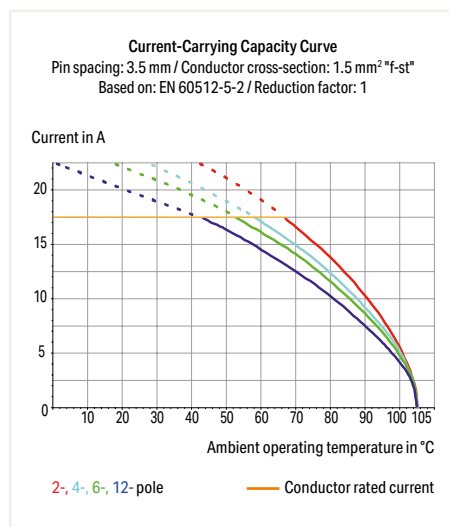
PCB terminal block ▶ 805 Series

Push-in CAGE CLAMP® ▶ Actuation type: Push-button ▶ 1.5 mm² ▶ Solder pin arrangement: Over the entire terminal strip (staggered) ▶ Pin spacing: 3.5 mm / 0.138 inch ▶ Color: gray

1



- PCB terminal strips with push-buttons and Push-in CAGE CLAMP® connection
- Push-in termination of solid and ferruled conductors
- Flush-mount push-buttons that close with minimal force for convenient termination/removal of fine-stranded conductors
- Convenient, tool-free operation
- Versions with/without test slots and spacers
- Versions available with custom internal commoning (factory assembly), e.g., commoning ground conductor



Electrical Data

Pin spacing	3.5 mm / 0.138 inch		
Ratings per	IEC/EN 60664-1		
Overvoltage category	III	III	II
Pollution degree	3	2	2
Rated voltage	250 V	320 V	630 V
Rated impulse voltage	4 kV	4 kV	4 kV
Rated current	17.5 A	17.5 A	17.5 A
Approbations per	UL 1059		
Use group	B	C	D
Rated voltage	300 V	150 V	300 V
Rated current	10 A	10 A	10 A

Connection Data

Connection technology	Push-in CAGE CLAMP®
Strip length	9 ... 10 mm / 0.35 ... 0.39 inch
Conductor connection direction to PCB	0°
Solid conductor	0.2 ... 1.5 mm ² / 24 ... 16 AWG
Fine-stranded conductor	0.2 ... 1.5 mm ² / 24 ... 16 AWG
Fine-stranded conductor; with insulated ferrule	0.25 ... 1 mm ²
Fine-stranded conductor; with uninsulated ferrule	0.25 ... 1 mm ²

Material Data

Material group	I
Insulation material	Polyamide (PA66)
Flammability class per UL94	V0
Clamping spring material	Chrome nickel spring steel (CrNi)
Contact material	Electrolytic copper (E ₀)
Contact plating	Tin-plated

Mechanical Data

Solder pin arrangement	Over the entire terminal strip (staggered)
Solder pin length	3.2 mm
Solder pin dimensions	0.5 x 0.75 mm
Drilled hole diameter with tolerance	1.1 ^(+0.1) mm

Environmental Requirements

Limit temperature range	-60 ... +105 °C
-------------------------	-----------------

Ferrule Page 879

Marking Page 864

Test and measurement Page 886

Tool Page 870

See technical section for further information

For approvals and corresponding ratings, visit www.wago.com

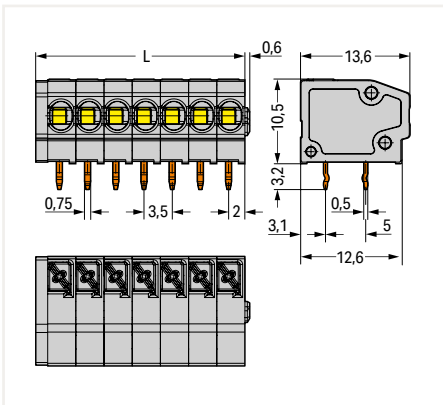
PCB terminal block ▶ 805 Series

Push-in CAGE CLAMP® ▶ Actuation type: Push-button ▶ 1.5 mm² ▶ Solder pin arrangement: Over the entire terminal strip (staggered) ▶ Pin spacing: 3.5 mm / 0.138 inch ▶ Color: gray

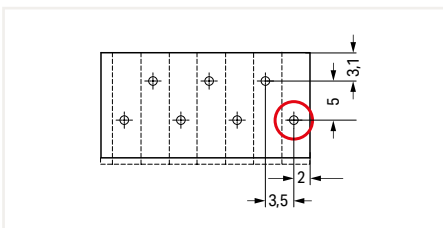


805-306

Pole No.	Item No.	PU (SPU)	Pole No.	Item No.	PU (SPU)
2	805-302	580 (145)	14	805-314	100 (25)
3	805-303	420 (105)	15	805-315	80 (20)
4	805-304	320 (80)	16	805-316	80 (20)
5	805-305	260 (65)	17	805-317	80 (20)
6	805-306	220 (55)	18	805-318	60 (15)
7	805-307	180 (45)	19	805-319	60 (15)
8	805-308	160 (40)	20	805-320	60 (15)
9	805-309	140 (35)	21	805-321	60 (15)
10	805-310	120 (30)	22	805-322	60 (15)
11	805-311	100 (25)	23	805-323	60 (15)
12	805-312	100 (25)	24	805-324	40 (10)
13	805-313	100 (25)			



$L = (\text{pole no.} \times \text{pin spacing}) + 1.5 \text{ mm}$



First solder pin, front right (red circle)

PU = Packaging Unit; SPU = Subpackaging Unit; Dimensions in mm

Other versions (or variants) can be requested from WAGO Sales or configured at <https://configurator.wago.com/>.

- Other pole numbers
- Other colors
- Mixed-color PCB connector strips
- Direct marking

PCB terminal block ▶ 805 Series

Push-in CAGE CLAMP® ▶ Actuation type: Push-button ▶ 1.5 mm² ▶ Solder pin arrangement: Over the entire terminal strip (staggered) ▶ Pin spacing: 3.5 mm / 0.138 inch ▶ Color: gray

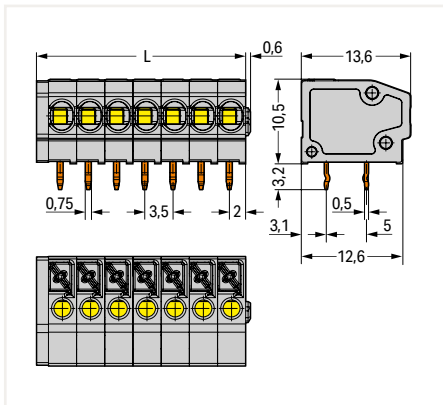
Number of test slots: 1

1

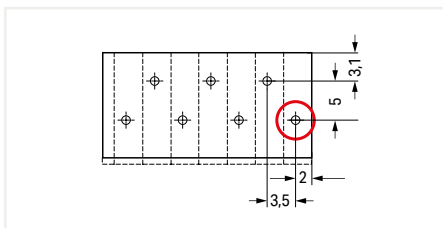


805-106

Pole No.	Item No.	PU (SPU)	Pole No.	Item No.	PU (SPU)
2	805-102	580 (145)	14	805-114	100 (25)
3	805-103	420 (105)	15	805-115	80 (20)
4	805-104	320 (80)	16	805-116	80 (20)
5	805-105	260 (65)	17	805-117	80 (20)
6	805-106	220 (55)	18	805-118	60 (15)
7	805-107	180 (45)	19	805-119	60 (15)
8	805-108	160 (40)	20	805-120	60 (15)
9	805-109	140 (35)	21	805-121	60 (15)
10	805-110	120 (30)	22	805-122	60 (15)
11	805-111	100 (25)	23	805-123	60 (15)
12	805-112	100 (25)	24	805-124	40 (10)
13	805-113	100 (25)			



L = (pole no. x pin spacing) + 1.5 mm



First solder pin, front right (red circle)

PU = Packaging Unit; SPU = Subpackaging Unit; Dimensions in mm

Other versions (or variants) can be requested from WAGO Sales or configured at <https://configurator.wago.com/>.

- Other pole numbers
- Other colors
- Mixed-color PCB connector strips
- Direct marking

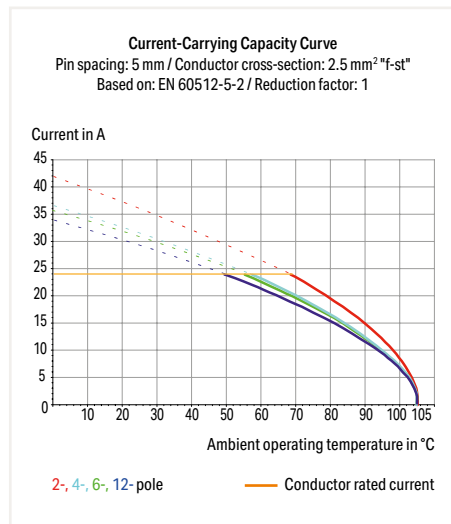
PCB terminal block ▶ 804 Series

Push-in CAGE CLAMP® ▶ 2.5 mm² ▶ Actuation type: Push-button ▶ Color: gray

1



- PCB terminal strips with push-buttons and Push-in CAGE CLAMP® connection
- Push-in termination of solid and ferruled, fine-stranded conductors
- A large conductor entry accommodates conductors with a cross-section up to 12 AWG with an insulation diameter up to 4.2 mm
- Terminal strips with spacers to increase pin spacing
- Versions available with custom internal commoning (factory assembly), e.g., commoning ground conductor

**Electrical Data**

Pin spacing	5 mm / 0.197 inch			7.5 mm / 0.295 inch		
Ratings per	IEC/EN 60664-1					
Overvoltage category	III	III	II	III	III	II
Pollution degree	3	2	2	3	2	2
Rated voltage	250 V	320 V	630 V	320 V	320 V	630 V
Rated impulse voltage	4 kV	4 kV	4 kV	4 kV	4 kV	4 kV
Rated current	24 A	24 A	24 A	24 A	24 A	24 A
Approbations per	UL 1059			UL 1059		
Use group	B	C	D	B	C	D
Rated voltage	300 V	-	300 V	300 V	-	300 V
Rated current	10 A	-	10 A	10 A	-	10 A
Approbations per	CSA			CSA		
Use group	B	C	D	B	C	D
Rated voltage	300 V	-	300 V	300 V	-	300 V
Rated current	10 A	-	10 A	10 A	-	10 A

Connection Data

Connection technology	Push-in CAGE CLAMP®
Strip length	10 ... 11 mm / 0.39 ... 0.43 inch
Conductor connection direction to PCB	0°
Solid conductor	0.25 ... 2.5 mm ² / 20 ... 12 AWG
Fine-stranded conductor	0.25 ... 2.5 mm ² / 22 ... 12 AWG
Fine-stranded conductor; with insulated ferrule	0.25 ... 1.5 mm ²
Fine-stranded conductor; with uninsulated ferrule	0.25 ... 2.5 mm ²

Material Data

Material group	I
Insulation material	Polyamide (PA66)
Flammability class per UL94	V0
Clamping spring material	Chrome nickel spring steel (CrNi)
Contact material	Electrolytic copper (E _{cu})
Contact plating	Tin-plated

Mechanical Data

Solder pin arrangement	Over the entire terminal strip (staggered)
Solder pin length	3.6 mm
Solder pin dimensions	0.8 x 0.6 mm
Drilled hole diameter with tolerance	1.1 (+0.1) mm

Environmental Requirements

Limit temperature range	-60 ... +105 °C
-------------------------	-----------------

Ferrule Page 879

Marking Page 865

Tool Page 870

See technical section for further information

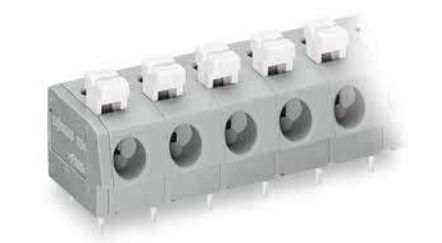
For approvals and corresponding ratings, visit www.wago.com

PCB terminal block ▶ 804 Series

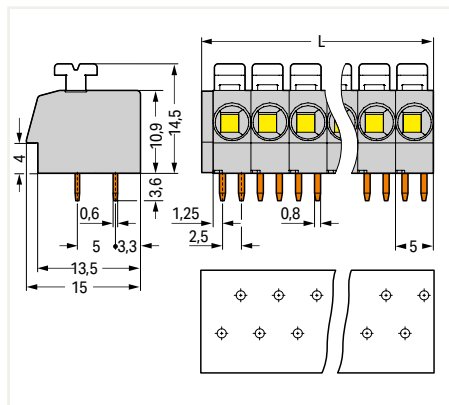
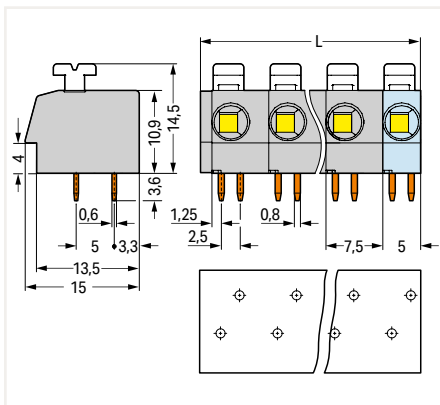
Push-in CAGE CLAMP® ▶ 2.5 mm² ▶ Actuation type: Push-button ▶ Color: gray

Pin spacing: 5 mm / 0.197 inch

Pin spacing: 7.5 mm / 0.295 inch



Pole No.	Item No.	PU (SPU)	Pole No.	Item No.	PU (SPU)
2	804-102	420 (105)	2	804-302	340 (85)
3	804-103	300 (75)	3	804-303	220 (55)
4	804-104	220 (55)	4	804-304	160 (40)
5	804-105	180 (45)	5	804-305	120 (30)
6	804-106	140 (35)	6	804-306	100 (25)
7	804-107	120 (30)	7	804-307	80 (20)
8	804-108	120 (30)	8	804-308	80 (20)
9	804-109	100 (25)	9	804-309	60 (15)
10	804-110	80 (20)	10	804-310	60 (15)
11	804-111	80 (20)	11	804-311	60 (15)
12	804-112	80 (20)	12	804-312	40 (10)
13	804-113	60 (15)			
14	804-114	60 (15)			
15	804-115	60 (15)			
16	804-116	60 (15)			


 $L = (\text{pole no.} \times \text{pin spacing}) + 1.5 \text{ mm}$

 $L = (\text{pole no.} - 1) \times \text{pin spacing} + 5 \text{ mm} + 1.5 \text{ mm}$

PU = Packaging Unit; SPU = Subpackaging Unit; Dimensions in mm

Other versions (or variants) can be requested from WAGO Sales or configured at <https://configurator.wago.com/>.

- Other pole numbers
- Other colors
- Mixed-color PCB connector strips
- 10 mm pin spacing version with spacers
- Direct marking
- Versions for Ex i

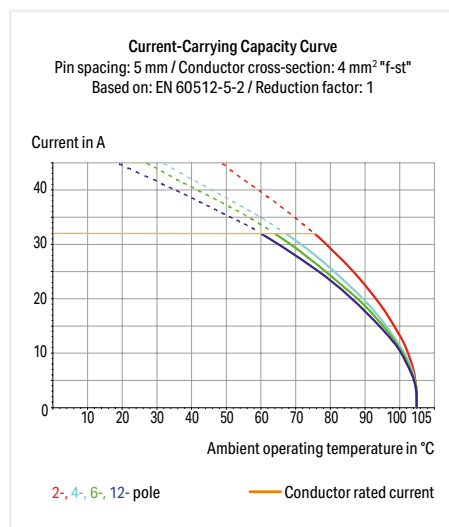
PCB terminal block ▶ 2604 Series

Push-in CAGE CLAMP® ▶ Actuation type: Lever ▶ 4 mm² ▶ Modular terminal block ▶ Pin spacing: 5 mm / 0.197 inch ▶ Color: gray

1



- PCB terminal blocks with lever-actuated Push-in CAGE CLAMP® connection
- Push-in termination of solid and ferruled conductors
- Intuitive and tool-free operation
- Several clamping units can be held open simultaneously – convenient for terminating multi-core cables
- Testing can be performed both parallel and perpendicular to conductor entry

**Electrical Data**

Pin spacing	5 mm / 0.197 inch		
Ratings per	IEC/EN 60664-1		
Overvoltage category	III	III	II
Pollution degree	3	2	2
Rated voltage	320 V	400 V	630 V
Rated impulse voltage	4 kV	4 kV	4 kV
Rated current	32 A	32 A	32 A
Approbations per	UL 1059		
Use group	B	C	D
Rated voltage	300 V	-	300 V
Rated current	20 A	-	10 A
Approbations per	CSA		
Use group	B	C	D
Rated voltage	300 V	-	300 V
Rated current	20 A	-	5 A

Connection Data

Connection technology	Push-in CAGE CLAMP®
Strip length	9 ... 11 mm / 0.35 ... 0.43 inch
Solid conductor	0.2 ... 4 mm ² / 24 ... 12 AWG
Fine-stranded conductor	0.2 ... 4 mm ² / 24 ... 12 AWG
Fine-stranded conductor; with insulated ferrule	0.25 ... 2.5 mm ²
Fine-stranded conductor; with uninsulated ferrule	0.25 ... 2.5 mm ²
Fine-stranded conductor; with twin ferrule	0.25 ... 1.5 mm ²

Material Data

Material group	I
Insulation material	Polyamide (PA66)
Flammability class per UL94	V0
Clamping spring material	Chrome nickel spring steel (CrNi)
Contact material	Electrolytic copper (E _{cu})
Contact plating	Tin-plated

Mechanical Data

Solder pin arrangement	Within the terminal block (in-line)
Solder pin length	4 mm
Solder pin dimensions	0.8 x 1 mm
Drilled hole diameter with tolerance	1.3 ^(+0.1) mm

Environmental Requirements

Limit temperature range	-60 ... +105 °C
-------------------------	-----------------

Ferrule Page 879

See technical section for further information

For approvals and corresponding ratings, visit www.wago.com

PCB terminal block ▶ 2604 Series

Push-in CAGE CLAMP® ▶ Actuation type: Lever ▶ 4 mm² ▶ Modular terminal block ▶ Pin spacing: 5 mm / 0.197 inch ▶ Color: gray

Conductor connection direction to PCB: 0°

Conductor connection direction to PCB: 90°



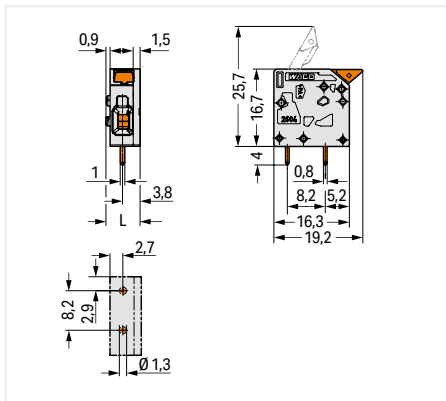
2604-1101



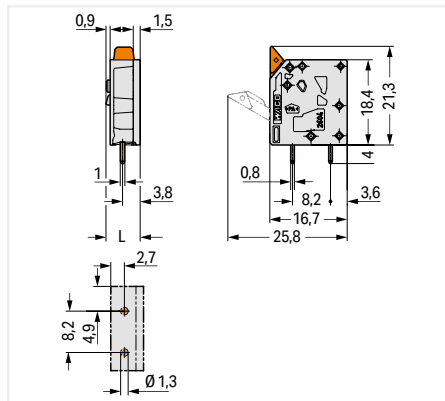
2604-3101

Color	Item No.	PU
● gray	2604-1101	300

Color	Item No.	PU
● gray	2604-3101	250



L = 7.4 mm



L = 7.4 mm

PU = Packaging Unit; SPU = Subpackaging Unit; Dimensions in mm

Other versions (or variants) can be requested from WAGO Sales or configured at <https://configurator.wago.com/>.

- Other pole numbers
- Direct marking
- Other colors

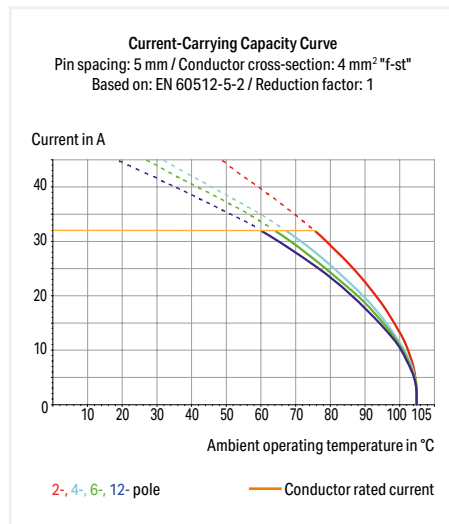
PCB terminal block ▶ 2604 Series

Push-in CAGE CLAMP® ▶ Actuation type: Lever ▶ 4 mm² ▶ Terminal strip ▶ Color: gray

1



- PCB terminal blocks with levers and Push-in CAGE CLAMP® connection
- Push-in termination of solid and ferruled conductors
- Intuitive and tool-free operation
- Several clamping units can be held open simultaneously – convenient for terminating multi-core cables
- Testing can be performed both parallel and perpendicular to conductor entry



Electrical Data

Pin spacing	5 mm / 0.197 inch			7.5 mm / 0.295 inch			11.5 mm / 0.453 inch		
Ratings per	IEC/EN 60664-1								
Overvoltage category	III	III	II	III	III	II	III	III	II
Pollution degree	3	2	2	3	2	2	3	2	2
Rated voltage	320 V	400 V	630 V	630 V	1000 V	1000 V	1000 V	1000 V	1000 V
Rated impulse voltage	4 kV	4 kV	4 kV	6 kV	6 kV	6 kV	8 kV	8 kV	8 kV
Rated current	32 A	32 A	32 A	32 A	32 A	32 A	32 A	32 A	32 A
Approbations per	UL 1059			UL 1059			UL 1059		
Use group	B	C	D	B	C	D	B	C	D
Rated voltage	300 V	-	300 V	300 V	300 V	600 V	600 V	600 V	-
Rated current	20 A	-	10 A	20 A	20 A	5 A	20 A	20 A	-
Approbations per	CSA			CSA			CSA		
Use group	B	C	D	B	C	D	B	C	D
Rated voltage	300 V	-	300 V	300 V	300 V	600 V	600 V	300 V	-
Rated current	20 A	-	5 A	20 A	20 A	5 A	20 A	20 A	-

Connection Data

Connection technology	Push-in CAGE CLAMP®
Strip length	9 ... 11 mm / 0.35 ... 0.43 inch
Solid conductor	0.2 ... 4 mm ² / 24 ... 12 AWG
Fine-stranded conductor	0.2 ... 4 mm ² / 24 ... 12 AWG
Fine-stranded conductor; with insulated ferrule	0.25 ... 2.5 mm ²
Fine-stranded conductor; with uninsulated ferrule	0.25 ... 2.5 mm ²
Fine-stranded conductor; with twin ferrule	0.25 ... 1.5 mm ²

Material Data

Material group	I
Insulation material	Polyamide (PA66)
Flammability class per UL94	V0
Clamping spring material	Chrome nickel spring steel (CrNi)
Contact material	Electrolytic copper (E _{cu})
Contact plating	Tin-plated

Mechanical Data

Solder pin arrangement	Over the entire terminal strip (in-line)
Solder pin length	4 mm
Solder pin dimensions	0.8 x 1 mm
Drilled hole diameter with tolerance	1.3 ^(±0.1) mm

Environmental Requirements

Limit temperature range	-60 ... +105 °C
-------------------------	-----------------

Ferrule Page 879

See technical section for further information

For approvals and corresponding ratings, visit www.wago.com

PCB terminal block ▶ 2604 Series

Push-in CAGE CLAMP® ▶ Actuation type: Lever ▶ 4 mm² ▶ Terminal strip ▶ Color: gray

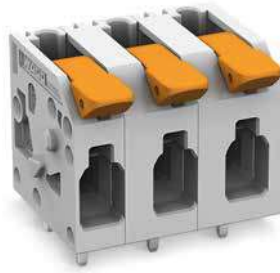
Conductor connection direction to PCB: 0° ▶ Pin spacing: 5 mm / 0.197 inch

Conductor connection direction to PCB: 0° ▶ Pin spacing: 7.5 mm / 0.295 inch

Conductor connection direction to PCB: 0° ▶ Pin spacing: 11.5 mm / 0.453 inch



2604-1103



2604-1303

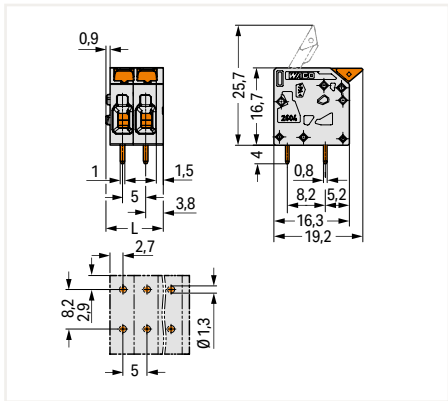


2604-1503

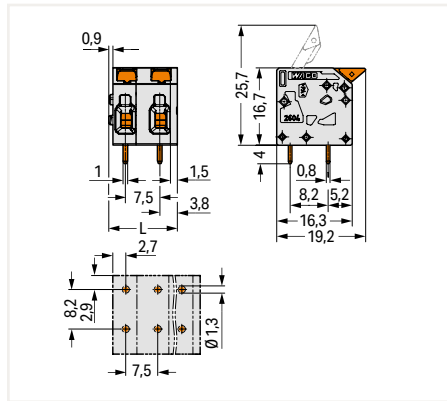
Pole No.	Item No.	PU
2	2604-1102	200
3	2604-1103	130
4	2604-1104	100
5	2604-1105	80
6	2604-1106	60
7	2604-1107	60
8	2604-1108	50
9	2604-1109	40
10	2604-1110	40
11	2604-1111	30
12	2604-1112	30

Pole No.	Item No.	PU
2	2604-1302	150
3	2604-1303	100
4	2604-1304	70
5	2604-1305	60
6	2604-1306	45
7	2604-1307	40
8	2604-1308	35
9	2604-1309	30
10	2604-1310	25
11	2604-1311	25
12	2604-1312	25

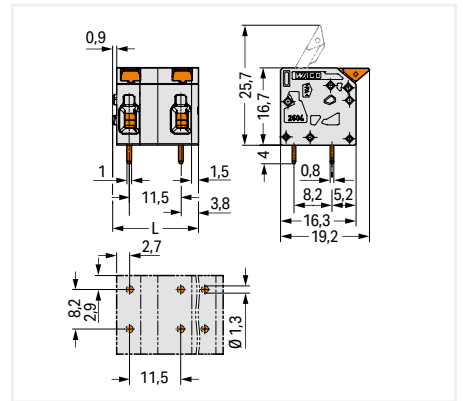
Pole No.	Item No.	PU
2	2604-1502	130
3	2604-1503	70
4	2604-1504	50
5	2604-1505	40
6	2604-1506	30
7	2604-1507	25
8	2604-1508	25
9	2604-1509	25
10	2604-1510	20
11	2604-1511	20
12	2604-1512	15



$L = (\text{pole no.} - 1) \times \text{pin spacing} + 7.4 \text{ mm}$



$L = (\text{pole no.} - 1) \times \text{pin spacing} + 7.4 \text{ mm}$



$L = (\text{pole no.} - 1) \times \text{pin spacing} + 7.4 \text{ mm}$

PU = Packaging Unit; SPU = Subpackaging Unit; Dimensions in mm

Other versions (or variants) can be requested from WAGO Sales or configured at <https://configurator.wago.com/>.

- Other pole numbers
- Direct marking
- Other colors

PCB terminal block ▶ 2604 Series

Push-in CAGE CLAMP® ▶ Actuation type: Lever ▶ 4 mm² ▶ Terminal strip ▶ Color: gray

Conductor connection direction to PCB: 90° ▶ Pin spacing: 5 mm / 0.197 inch

Conductor connection direction to PCB: 90° ▶ Pin spacing: 7.5 mm / 0.295 inch

Conductor connection direction to PCB: 90° ▶ Pin spacing: 11.5 mm / 0.453 inch

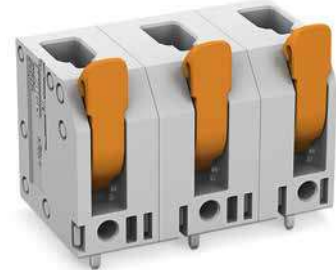
1



2604-3103



2604-3303

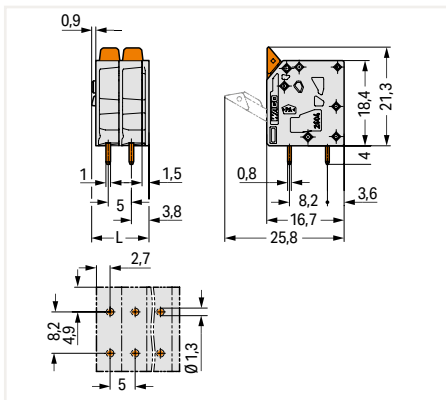


2604-3503

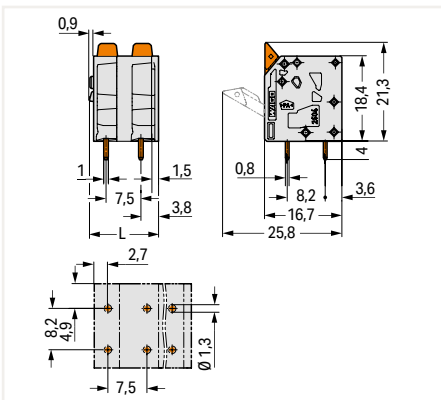
Pole No.	Item No.	PU
2	2604-3102	180
3	2604-3103	120
4	2604-3104	90
5	2604-3105	70
6	2604-3106	50
7	2604-3107	50
8	2604-3108	40
9	2604-3109	40
10	2604-3110	30
11	2604-3111	30
12	2604-3112	30

Pole No.	Item No.	PU
2	2604-3302	150
3	2604-3303	100
4	2604-3304	70
5	2604-3305	50
6	2604-3306	45
7	2604-3307	40
8	2604-3308	30
9	2604-3309	30
10	2604-3310	25
11	2604-3311	25
12	2604-3312	25

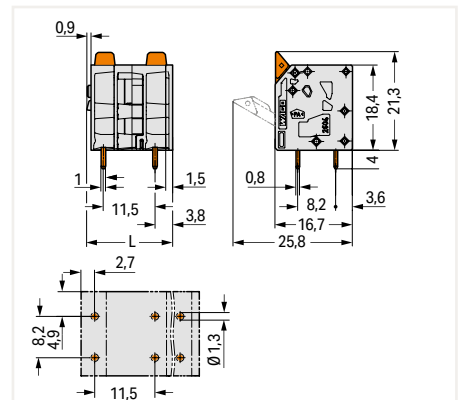
Pole No.	Item No.	PU
2	2604-3502	120
3	2604-3503	70
4	2604-3504	50
5	2604-3505	40
6	2604-3506	30
7	2604-3507	25
8	2604-3508	25
9	2604-3509	25
10	2604-3510	20
11	2604-3511	20
12	2604-3512	15



L = (pole no. - 1) x pin spacing + 7.4 mm



L = (pole no. - 1) x pin spacing + 7.4 mm



L = (pole no. - 1) x pin spacing + 7.4 mm

PU = Packaging Unit; SPU = Subpackaging Unit; Dimensions in mm

Other versions (or variants) can be requested from WAGO Sales or configured at <https://configurator.wago.com/>.

- Other pole numbers
- Direct marking
- Other colors

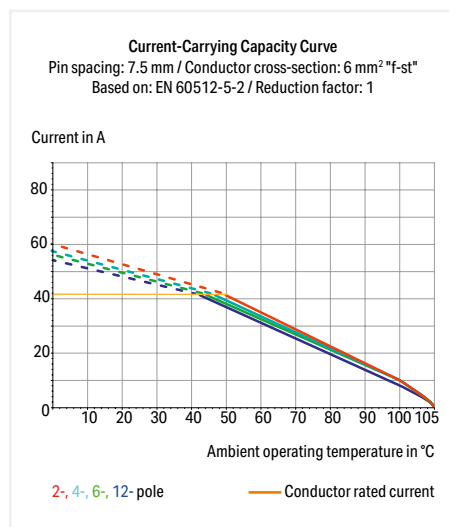
PCB terminal block ▶ 2606 Series

Push-in CAGE CLAMP® ▶ Actuation type: Lever ▶ 10 mm² ▶ Modular terminal block ▶ Pin spacing: 7.5 mm / 0.295 inch ▶ Color: gray

1



- PCB terminal blocks with lever-actuated Push-in CAGE CLAMP® connection
- Push-in termination of solid and ferruled conductors
- Intuitive and tool-free operation
- Several clamping units can be held open simultaneously – convenient for terminating multi-core cables
- Testing can be performed both parallel and perpendicular to conductor entry



Electrical Data

Pin spacing	7.5 mm / 0.295 inch		
Ratings per	IEC/EN 60664-1		
Overvoltage category	III	III	II
Pollution degree	3	2	2
Rated voltage	800 V	1000 V	1000 V
Rated impulse voltage	8 kV	8 kV	8 kV
Rated current	41 A	41 A	41 A
Approbations per	CSA		
Use group	B	C	D
Rated voltage	600 V	1000 V	-
Rated current	31 A	31 A	-

Connection Data

Connection technology	Push-in CAGE CLAMP®
Strip length	11 ... 13 mm / 0.43 ... 0.51 inch
Solid conductor	0.2 ... 10 mm ² / 24 ... 8 AWG
Fine-stranded conductor	0.2 ... 10 mm ² / 24 ... 8 AWG
Fine-stranded conductor; with insulated ferrule	0.25 ... 6 mm ²
Fine-stranded conductor; with uninsulated ferrule	0.25 ... 6 mm ²
Fine-stranded conductor; with twin ferrule	0.25 ... 2.5 mm ²

Material Data

Material group	I
Insulation material	Polyamide (PA66)
Flammability class per UL94	V0
Clamping spring material	Chrome nickel spring steel (CrNi)
Contact material	Electrolytic copper (E _{cu})
Contact plating	Tin-plated

Mechanical Data

Solder pin arrangement	Within the terminal block (in-line)
Solder pin length	4 mm
Solder pin dimensions	1.5 x 1.2 mm
Drilled hole diameter with tolerance	2 ^(+0.1) mm

Environmental Requirements

Limit temperature range	-60 ... +105 °C
-------------------------	-----------------

Ferrule Page 879

See technical section for further information

For approvals and corresponding ratings, visit www.wago.com

PCB terminal block ▶ 2606 Series

Push-in CAGE CLAMP® ▶ Actuation type: Lever ▶ 10 mm² ▶ Modular terminal block ▶ Pin spacing: 7.5 mm / 0.295 inch ▶ Color: gray

Conductor connection direction to PCB: 0°

Conductor connection direction to PCB: 90°



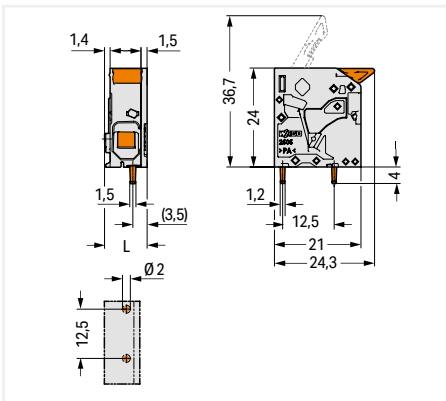
2606-1101



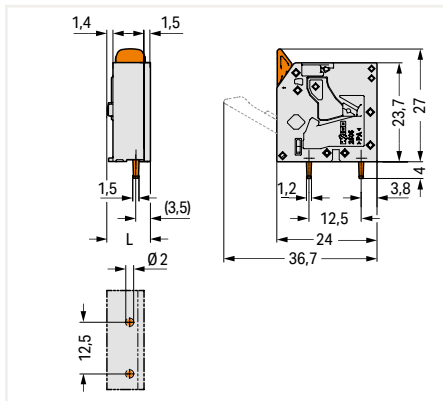
2606-3101

Color	Item No.	PU
● gray	2606-1101	200

Color	Item No.	PU
● gray	2606-3101	200



L = 10.35 mm



L = 10.35 mm

PU = Packaging Unit; SPU = Subpackaging Unit; Dimensions in mm

Other versions (or variants) can be requested from WAGO Sales or configured at <https://configurator.wago.com/>.

- Other pole numbers
- Direct marking
- Other colors

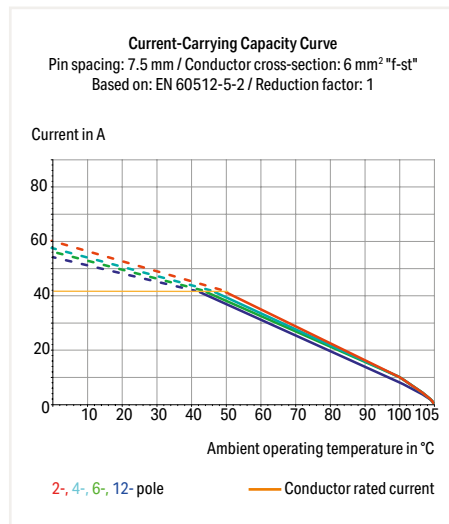
PCB terminal block ▶ 2606 Series

Push-in CAGE CLAMP® ▶ Actuation type: Lever ▶ 10 mm² ▶ Terminal strip ▶ Color: gray

1



- PCB terminal blocks with levers and Push-in CAGE CLAMP® connection
- Push-in termination of solid and ferruled conductors
- Intuitive and tool-free operation
- Several clamping units can be held open simultaneously – convenient for terminating multi-core cables
- Testing can be performed both parallel and perpendicular to conductor entry



Electrical Data						
Pin spacing	7.5 mm / 0.295 inch			12.5 mm / 0.492 inch		
Ratings per	IEC/EN 60664-1					
Overvoltage category	III	III	II	III	III	II
Pollution degree	3	2	2	3	2	2
Rated voltage	800 V	1000 V	1000 V	800 V	1000 V	1000 V
Rated impulse voltage	8 kV	8 kV	8 kV	8 kV	8 kV	8 kV
Rated current	41 A	41 A	41 A	41 A	41 A	41 A
Approbations per	UL 1059			UL 1059		
Use group	B	C	D	B	C	D
Rated voltage	600 V	600 V	-	600 V	600 V	-
Rated current	31 A	31 A	-	42 A	42 A	-
Approbations per	CSA			CSA		
Use group	B	C	D	B	C	D
Rated voltage	600 V	600 V	-	600 V	600 V	-
Rated current	31 A	31 A	-	31 A	31 A	-

Connection Data	
Connection technology	Push-in CAGE CLAMP®
Strip length	11 ... 13 mm / 0.43 ... 0.51 inch
Solid conductor	0.2 ... 10 mm ² / 24 ... 8 AWG
Fine-stranded conductor	0.2 ... 10 mm ² / 24 ... 8 AWG
Fine-stranded conductor; with insulated ferrule	0.25 ... 6 mm ²
Fine-stranded conductor; with uninsulated ferrule	0.25 ... 6 mm ²
Fine-stranded conductor; with twin ferrule	0.25 ... 2.5 mm ²

Material Data	
Material group	I
Insulation material	Polyamide (PA66)
Flammability class per UL94	V0
Clamping spring material	Chrome nickel spring steel (CrNi)
Contact material	Electrolytic copper (E _{cu})
Contact plating	Tin-plated

Mechanical Data	
Solder pin length	4 mm
Solder pin dimensions	1.5 x 1.2 mm
Drilled hole diameter with tolerance	2 ^(+0.1) mm

Environmental Requirements	
Limit temperature range	-60 ... +105 °C

Ferrule Page 879

See technical section for further information

For approvals and corresponding ratings, visit www.wago.com

PCB terminal block ▶ 2606 Series

Push-in CAGE CLAMP® ▶ Actuation type: Lever ▶ 10 mm² ▶ Terminal strip ▶ Color: gray

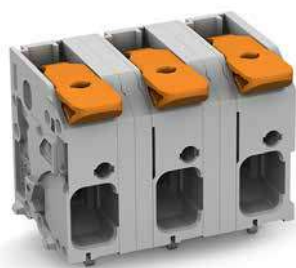
Conductor connection direction to PCB: 0° ▶ Pin spacing: 7.5 mm / 0.295 inch

Conductor connection direction to PCB: 0° ▶ Pin spacing: 12.5 mm / 0.492 inch

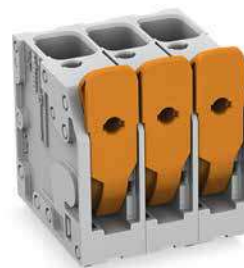
Conductor connection direction to PCB: 90° ▶ Pin spacing: 7.5 mm / 0.295 inch



2606-1103/020-000



2606-1353

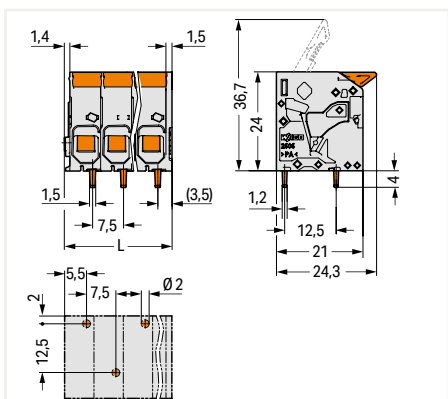


2606-3103/020-000

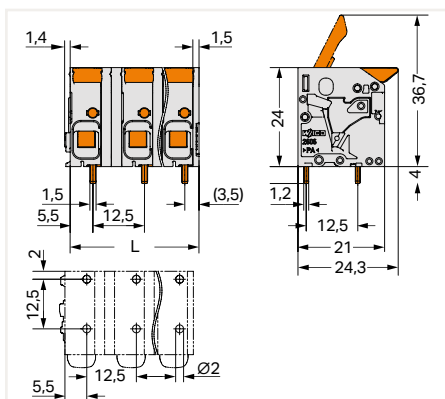
Pole No.	Item No.	PU
2	2606-1102/020-000	120
3	2606-1103/020-000	80
4	2606-1104/020-000	60
5	2606-1105/020-000	50
6	2606-1106/020-000	40
7	2606-1107/020-000	35
8	2606-1108/020-000	30
9	2606-1109/020-000	25
10	2606-1110/020-000	25
11	2606-1111/020-000	25
12	2606-1112/020-000	25

Pole No.	Item No.	PU
2	2606-1352	80
3	2606-1353	58
4	2606-1354	44
5	2606-1355	40
6	2606-1356	34
7	2606-1357	26
8	2606-1358	24
9	2606-1359	24
10	2606-1360	24
11	2606-1361	15
12	2606-1362	12

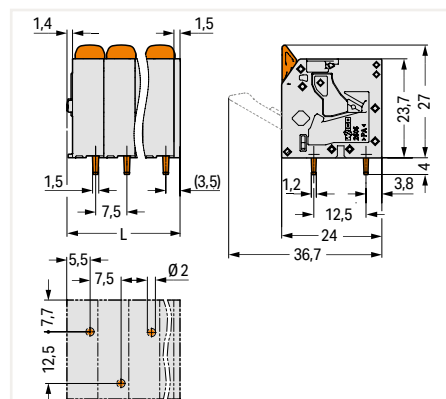
Pole No.	Item No.	PU
2	2606-3102/020-000	120
3	2606-3103/020-000	80
4	2606-3104/020-000	60
5	2606-3105/020-000	50
6	2606-3106/020-000	40
7	2606-3107/020-000	35
8	2606-3108/020-000	30
9	2606-3109/020-000	25
10	2606-3110/020-000	25
11	2606-3111/020-000	25
12	2606-3112/020-000	25



L = (pole no. - 1) x pin spacing + 10.35 mm



L = (pole no. - 1) x pin spacing + 9 mm



L = (pole no. - 1) x pin spacing + 10.35 mm

PU = Packaging Unit; SPU = Subpackaging Unit; Dimensions in mm

Other versions (or variants) can be requested from WAGO Sales or configured at <https://configurator.wago.com/>.

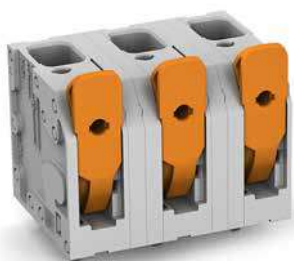
- Other pole numbers
- Direct marking
- Other colors

PCB terminal block ▶ 2606 Series

Push-in CAGE CLAMP® ▶ Actuation type: Lever ▶ 10 mm² ▶ Terminal strip ▶ Color: gray

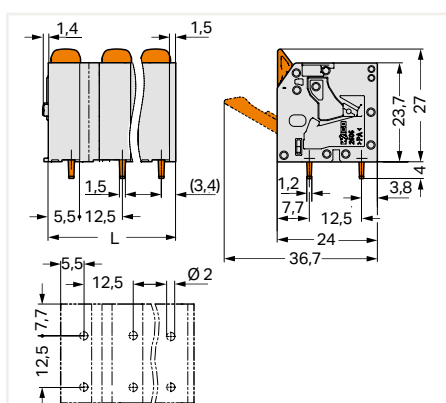
Conductor connection direction to PCB: 90° ▶ Pin spacing: 12.5 mm / 0.492 inch

1



2606-3353

Pole No.	Item No.	PU
2	2606-3352	80
3	2606-3353	58
4	2606-3354	44
5	2606-3355	40
6	2606-3356	26
7	2606-3357	26
8	2606-3358	22
9	2606-3359	22
10	2606-3360	22
11	2606-3361	15
12	2606-3362	12



L = (pole no. - 1) x pin spacing + 9 mm

PU = Packaging Unit; SPU = Subpackaging Unit; Dimensions in mm

Other versions (or variants) can be requested from WAGO Sales or configured at <https://configurator.wago.com/>.

- Other pole numbers
- Direct marking
- Other colors

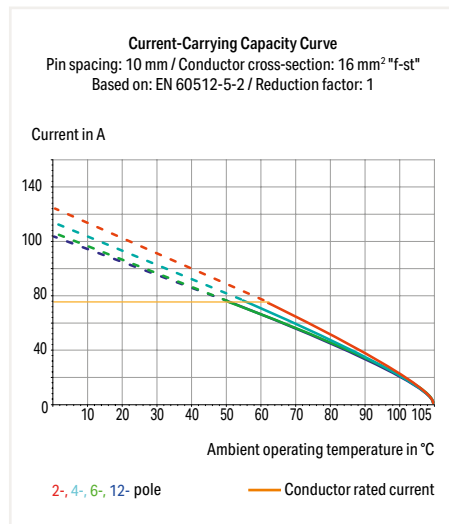
PCB terminal block ▶ 2616 Series

Push-in CAGE CLAMP® ▶ Actuation type: Lever ▶ 16 mm² ▶ Modular terminal block ▶ Pin spacing: 10 mm / 0.394 inch ▶ Color: gray

1



- PCB terminal blocks with lever-actuated Push-in CAGE CLAMP® connection
- Push-in termination of solid and ferruled conductors
- Intuitive and tool-free operation
- Several clamping units can be held open simultaneously – convenient for terminating multi-core cables
- Testing can be performed both parallel and perpendicular to conductor entry



Electrical Data

Pin spacing	10 mm / 0.394 inch		
Ratings per	IEC/EN 60664-1		
Overvoltage category	III	III	II
Pollution degree	3	2	2
Rated voltage	1000 V	1000 V	1000 V
Rated impulse voltage	8 kV	8 kV	8 kV
Rated current	76 A	76 A	76 A
Approbations per	CSA		
Use group	B	C	D
Rated voltage	600 V	1000 V	-
Rated current	72 A	72 A	-

Connection Data

Connection technology	Push-in CAGE CLAMP®
Strip length	18 ... 20 mm / 0.71 ... 0.79 inch
Solid conductor	0.75 ... 16 mm ² / 18 ... 4 AWG
Fine-stranded conductor	0.75 ... 25 mm ² / 18 ... 4 AWG
Fine-stranded conductor; with insulated ferrule	0.75 ... 16 mm ²
Fine-stranded conductor; with uninsulated ferrule	0.75 ... 16 mm ²
Fine-stranded conductor; with twin ferrule	0.75 ... 6 mm ²

Material Data

Material group	I
Insulation material	Polyamide (PA66)
Flammability class per UL94	V0
Clamping spring material	Chrome nickel spring steel (CrNi)
Contact material	Electrolytic copper (E _{cu})
Contact plating	Tin-plated

Mechanical Data

Solder pin arrangement	Within the terminal block (in-line)
Solder pin length	4 mm
Solder pin dimensions	1.2 x 1.2 mm
Drilled hole diameter with tolerance	1.7 ^(+0.1) mm

Environmental Requirements

Limit temperature range	-60 ... +105 °C
-------------------------	-----------------

Ferrule Page 879

See technical section for further information

For approvals and corresponding ratings, visit www.wago.com

PCB terminal block ▶ 2616 Series

Push-in CAGE CLAMP® ▶ Actuation type: Lever ▶ 16 mm² ▶ Modular terminal block ▶ Pin spacing: 10 mm / 0.394 inch ▶ Color: gray

Conductor connection direction to PCB: 0°

Conductor connection direction to PCB: 90°



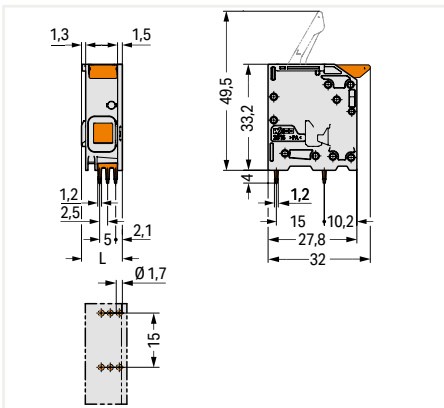
2616-1101



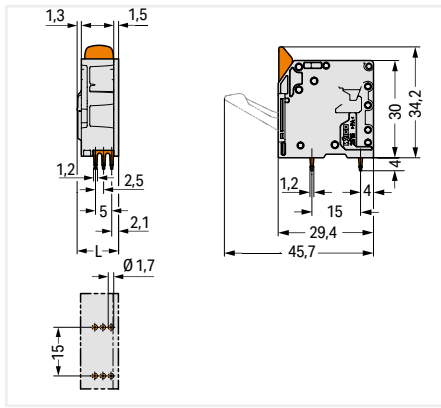
2616-3101

Color	Item No.	PU
● gray	2616-1101	100

Color	Item No.	PU
● gray	2616-3101	100



L = 12.8 mm



L = 12.8 mm

PU = Packaging Unit; SPU = Subpackaging Unit; Dimensions in mm

Other versions (or variants) can be requested from WAGO Sales or configured at <https://configurator.wago.com/>.

- Other pole numbers
- Direct marking
- Other colors

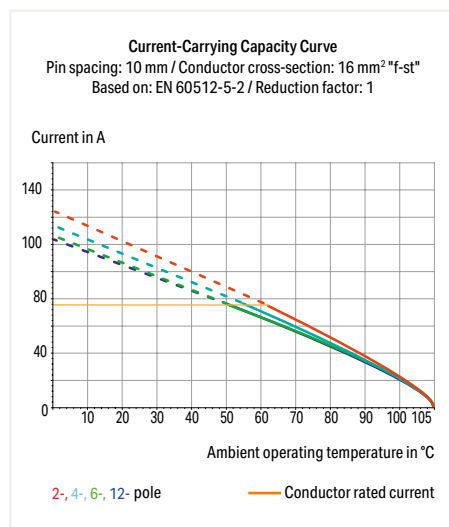
PCB terminal block ▶ 2616 Series

Push-in CAGE CLAMP® ▶ Actuation type: Lever ▶ 16 mm² ▶ Terminal strip ▶ Color: gray

1



- PCB terminal blocks with levers and Push-in CAGE CLAMP® connection
- Push-in termination of solid and ferruled conductors
- Intuitive and tool-free operation
- Several clamping units can be held open simultaneously – convenient for terminating multi-core cables
- Testing can be performed both parallel and perpendicular to conductor entry

**Electrical Data**

Conductor connection direction to PCB	0°			0°;90°			90°		
	10 mm / 0.394 inch			15 mm / 0.591 inch			10 mm / 0.394 inch		
Pin spacing	IEC/EN 60664-1			IEC/EN 60664-1			IEC/EN 60664-1		
Ratings per	III	III	II	III	III	II	III	III	II
Overvoltage category	III	III	II	III	III	II	III	III	II
Pollution degree	3	2	2	3	2	2	3	2	2
Rated voltage	1000 V	1000 V	1000 V	800 V	1000 V	1000 V	1000 V	1000 V	1000 V
Rated impulse voltage	8 kV	8 kV	8 kV	8 kV	8 kV	8 kV	8 kV	8 kV	8 kV
Rated current	76 A	76 A	76 A	76 A	76 A	76 A	76 A	76 A	76 A

Approbations per	UL 1059			UL 1059			UL 1059		
	B	C	D	B	C	D	B	C	D
Use group	B	C	D	B	C	D	B	C	D
Rated voltage	600 V	600 V	-	300 V	300 V	600 V	600 V	600 V	-
Rated current	66 A	66 A	-	78 A	78 A	5 A	66 A	66 A	-

Approbations per	CSA			CSA			CSA		
	B	C	D	B	C	D	B	C	D
Use group	B	C	D	B	C	D	B	C	D
Rated voltage	600 V	600 V	-	300 V	300 V	600 V	600 V	600 V	-
Rated current	66 A	66 A	-	72 A	72 A	72 A	72 A	72 A	-

Connection Data

Connection technology	Push-in CAGE CLAMP®
Strip length	18 ... 20 mm / 0.71 ... 0.79 inch
Solid conductor	0.75 ... 16 mm ² / 18 ... 4 AWG
Fine-stranded conductor	0.75 ... 25 mm ² / 18 ... 4 AWG
Fine-stranded conductor; with insulated ferrule	0.75 ... 16 mm ²
Fine-stranded conductor; with uninsulated ferrule	0.75 ... 16 mm ²
Fine-stranded conductor; with twin ferrule	0.75 ... 6 mm ²

Material Data

Material group	I
Insulation material	Polyamide (PA66)
Flammability class per UL94	V0
Clamping spring material	Chrome nickel spring steel (CrNi)
Contact material	Electrolytic copper (E _{cu})
Contact plating	Tin-plated

Mechanical Data

Solder pin length	4 mm
Solder pin dimensions	1.2 x 1.2 mm
Drilled hole diameter with tolerance	1.7 ^(+0.1) mm

Environmental Requirements

Limit temperature range	-60 ... +105 °C
-------------------------	-----------------

Ferrule Page 879

See technical section for further information

For approvals and corresponding ratings, visit www.wago.com

PCB terminal block ▶ 2616 Series

Push-in CAGE CLAMP® ▶ Actuation type: Lever ▶ 16 mm² ▶ Terminal strip ▶ Color: gray

Conductor connection direction to PCB: 0° ▶ Pin spacing: 10 mm / 0.394 inch

Conductor connection direction to PCB: 0° ▶ Pin spacing: 15 mm / 0.591 inch

Conductor connection direction to PCB: 90° ▶ Pin spacing: 10 mm / 0.394 inch



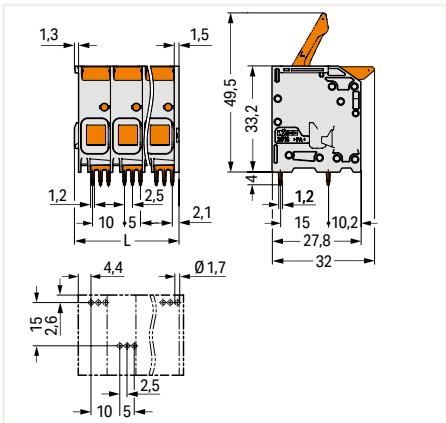
2616-1353

2616-3103/020-000

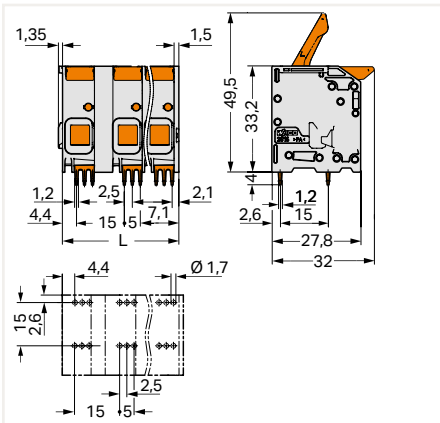
Pole No.	Item No.	PU
2	2616-1102/020-000	50
3	2616-1103/020-000	40
4	2616-1104/020-000	25
5	2616-1105/020-000	25
6	2616-1106/020-000	20
7	2616-1107/020-000	20
8	2616-1108/020-000	15
9	2616-1109/020-000	15
10	2616-1110/020-000	15
11	2616-1111/020-000	10
12	2616-1112/020-000	10

Pole No.	Item No.	PU
2	2616-1352	44
3	2616-1353	28
4	2616-1354	28
5	2616-1355	20
6	2616-1356	18
7	2616-1357	14
8	2616-1358	14

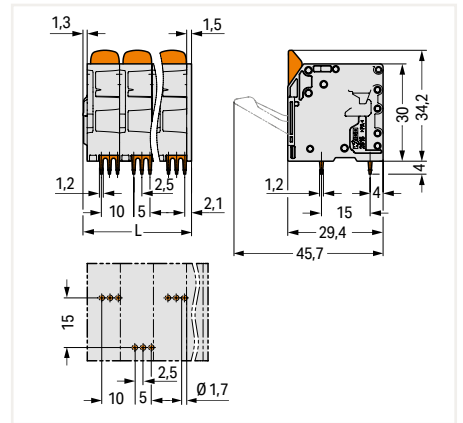
Pole No.	Item No.	PU
2	2616-3102/020-000	50
3	2616-3103/020-000	40
4	2616-3104/020-000	25
5	2616-3105/020-000	25
6	2616-3106/020-000	20
7	2616-3107/020-000	20
8	2616-3108/020-000	15
9	2616-3109/020-000	15
10	2616-3110/020-000	15
11	2616-3111/020-000	10
12	2616-3112/020-000	10



L = (pole no. - 1) x pin spacing + 12.8 mm



L = (pole no. - 1) x pin spacing + 11.5 mm



L = (pole no. - 1) x pin spacing + 12.8 mm

PU = Packaging Unit; SPU = Subpackaging Unit; Dimensions in mm

Other versions (or variants) can be requested from WAGO Sales or configured at <https://configurator.wago.com/>.

- Other pole numbers
- Direct marking
- Other colors

PCB terminal block ▶ 2616 Series

Push-in CAGE CLAMP® ▶ Actuation type: Lever ▶ 16 mm² ▶ Terminal strip ▶ Color: gray

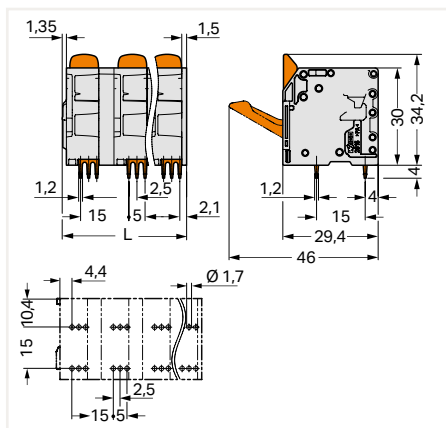
Conductor connection direction to PCB: 90° ▶ Pin spacing: 15 mm / 0.591 inch

1



2616-3353

Pole No.	Item No.	PU
2	2616-3352	44
3	2616-3353	30
4	2616-3354	28
5	2616-3355	20
6	2616-3356	18
7	2616-3357	14
8	2616-3358	14



L = (pole no. - 1) x pin spacing + 11.5 mm

PU = Packaging Unit; SPU = Subpackaging Unit

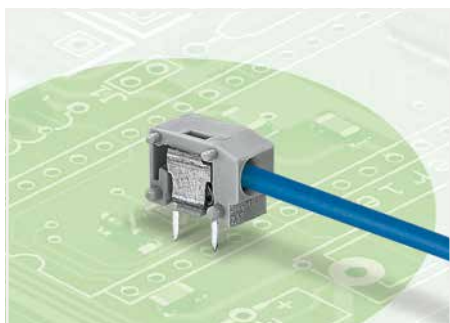
Other versions (or variants) can be requested from WAGO Sales or configured at <https://configurator.wago.com/>.

- Other pole numbers
- Direct marking
- Other colors

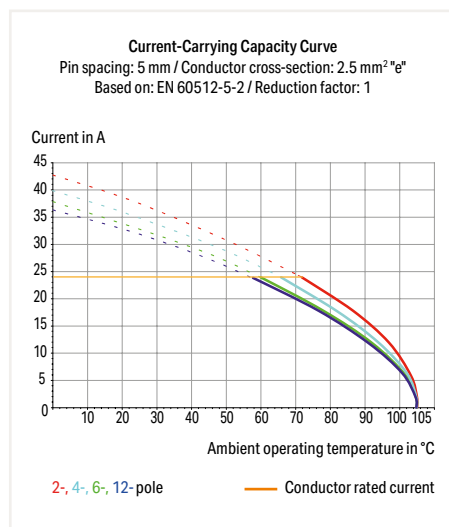
Stackable PCB terminal block ▶ 235 Series

PUSH WIRE® ▶ Actuation type: Operating tool ▶ 2.5 mm²

1



- Low-profile modular PCB terminal blocks with PUSH WIRE® connection for custom terminal strip assemblies
- Push-in termination of solid conductors
- Double solder pins for high mechanical stability
- Conductor removal via screwdriver (2.5 mm blade width)
- Set to metric or inch pin spacing by compressing PCB terminal strips or pulling them apart
- Also available with a test slot



Electrical Data									
Pin spacing	5/5.08 mm / 0.197/0.2 inch			7.5/7.62 mm / 0.295/0.3 inch			10/10.16 mm / 0.394/0.4 inch		
Ratings per	IEC/EN 60664-1			IEC/EN 60664-1			IEC/EN 60664-1		
Overtoltage category	III	III	II	III	III	II	III	III	II
Pollution degree	3	2	2	3	2	2	3	2	2
Rated voltage	250 V	320 V	630 V	400 V	630 V	1000 V	630 V	1000 V	1000 V
Rated impulse voltage	4 kV	4 kV	4 kV	6 kV	6 kV	6 kV	8 kV	8 kV	8 kV
Rated current	24 A	24 A	24 A	24 A	24 A	24 A	24 A	24 A	24 A
Approbations per	UL 1059			UL 1059			UL 1059		
Use group	B	C	D	B	C	D	B	C	D
Rated voltage	300 V	-	300 V	300 V	-	300 V	300 V	-	300 V
Rated current	10 A	-	10 A	10 A	-	10 A	10 A	-	10 A
Approbations per	CSA			CSA			CSA		
Use group	B	C	D	B	C	D	B	C	D
Rated voltage	300 V	-	-	300 V	-	-	300 V	-	-
Rated current	15 A	-	-	15 A	-	-	15 A	-	-

Connection Data	
Connection technology	PUSH WIRE®
Strip length	9 ... 10 mm / 0.35 ... 0.39 inch
Conductor connection direction to PCB	0°
Solid conductor	0.5 ... 2.5 mm ² / 20 ... 14 AWG
Fine-stranded conductor; with insulated ferrule	0.25 ... 1.5 mm ²
Fine-stranded conductor; with uninsulated ferrule	0.25 ... 1.5 mm ²

Material Data	
Material group	I
Insulation material	Polyamide (PA66)
Flammability class per UL94	V0
Clamping spring material	Chrome nickel spring steel (CrNi)
Contact material	Electrolytic copper (E _{cu})
Contact plating	Tin-plated

Mechanical Data	
Solder pin length	3.6 mm
Solder pin dimensions	0.8 x 0.4 mm
Drilled hole diameter with tolerance	1 ^(+0.1) mm

Environmental Requirements	
Limit temperature range	-60 ... +105 °C

Ferrule Page 879

Marking Page 865

Tool Page 870

See technical section for further information

For approvals and corresponding ratings, visit www.wago.com

Stackable PCB terminal block ▶ 235 Series

PUSH WIRE® ▶ Actuation type: Operating tool ▶ 2.5 mm²

Pin spacing: 5/5.08 mm / 0.197/0.2 inch

Pin spacing: 7.5/7.62 mm / 0.295/0.3 inch

Pin spacing: 10/10.16 mm / 0.394/0.4 inch



235-401

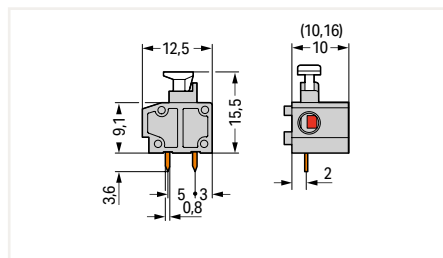
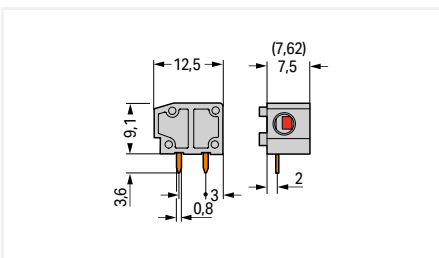
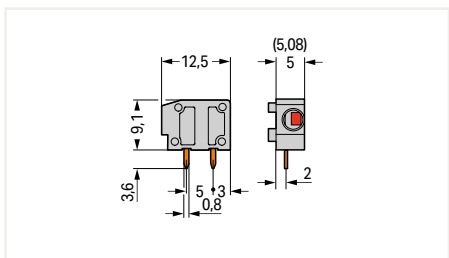
235-501

235-801

Color	Item No.	PU (SPU)
gray	235-401	800 (100)
blue	235-744	800 (100)
orange	235-746	800 (100)
light gray	235-743	800 (100)
light green	235-747	800 (100)
red	235-740	800 (100)
dark gray	235-742	800 (100)

Color	Item No.	PU (SPU)
gray	235-501	600 (100)
blue	235-754	600 (100)
orange	235-756	600 (100)
light gray	235-753	600 (100)
light green	235-757	600 (100)
dark gray	235-752	600 (100)

Color	Item No.	PU (SPU)
gray	235-801	400 (100)
orange	235-766	400 (100)
dark gray	235-762	400 (100)



Accessories; for all products on this page



End plate; Width: 1 mm; snap-on type

Color	Item No.	PU (SPU)
gray	235-100	2000 (100)
blue	235-400	2000 (100)
orange	235-600	2000 (100)
white	235-850	2000 (100)
black	235-500	2000 (100)
yellow	235-550	2000 (100)
light gray	235-300	2000 (100)
light green	235-700	2000 (100)
violet	235-650	2000 (100)
red	235-800	2000 (100)
dark gray	235-200	2000 (100)

Intermediate plate; Extends pin spacing; Width: 5 mm / 0.197 inch

Color	Item No.	PU (SPU)
gray	235-701	1000 (100)

PU = Packaging Unit; SPU = Subpackaging Unit; Dimensions in mm

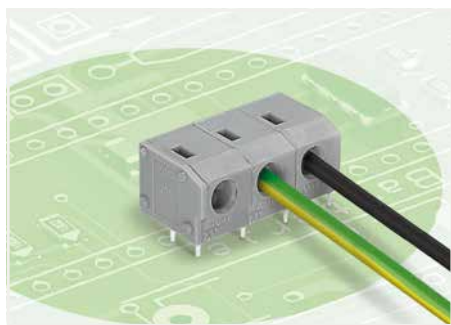
Other versions (or variants) can be requested from WAGO Sales or configured at <https://configurator.wago.com/>.

- Other colors

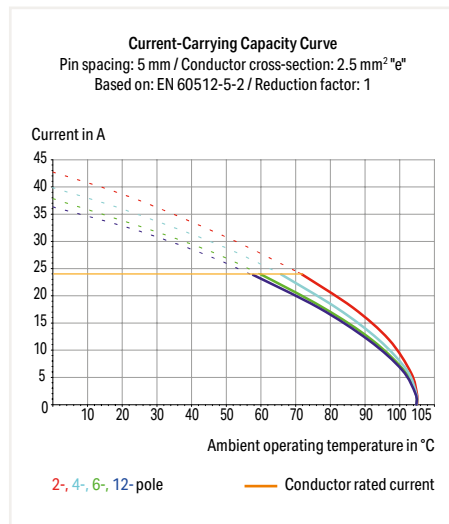
PCB terminal block ▶ 235 Series

PUSH WIRE® ▶ Actuation type: Operating tool ▶ 2.5 mm² ▶ Pin spacing: 5/5.08 mm / 0.197/0.2 inch

▶ Color: gray



- Low-profile PCB terminal strips with PUSH WIRE® connection for custom terminal strip assemblies
- Push-in termination for solid conductors
- Double solder pins for high mechanical stability
- Conductor removal via screwdriver (2.5mm x 0.4mm)
- Set to metric or inch pin spacing by compressing terminal strips or pulling them apart



Electrical Data

Pin spacing	5/5.08 mm / 0.197/0.2 inch		
Ratings per	IEC/EN 60664-1		
Overvoltage category	III	III	II
Pollution degree	3	2	2
Rated voltage	250 V	320 V	630 V
Rated impulse voltage	4 kV	4 kV	4 kV
Rated current	24 A	24 A	24 A
Approbations per	UL 1059		
Use group	B	C	D
Rated voltage	300 V	-	300 V
Rated current	10 A	-	10 A
Approbations per	CSA		
Use group	B	C	D
Rated voltage	300 V	-	-
Rated current	15 A	-	-

Connection Data

Connection technology	PUSH WIRE®
Strip length	9 ... 10 mm / 0.35 ... 0.39 inch
Conductor connection direction to PCB	0°
Solid conductor	0.5 ... 2.5 mm ² / 20 ... 14 AWG
Fine-stranded conductor; with insulated ferrule	0.25 ... 1.5 mm ²
Fine-stranded conductor; with uninsulated ferrule	0.25 ... 1.5 mm ²

Material Data

Material group	I
Insulation material	Polyamide (PA66)
Flammability class per UL94	V0
Clamping spring material	Chrome nickel spring steel (CrNi)
Contact material	Electrolytic copper (E _{Cu})
Contact plating	Tin-plated

Mechanical Data

Solder pin arrangement	Over the entire terminal strip (in-line)
Solder pin length	3.6 mm
Solder pin dimensions	0.8 x 0.4 mm
Drilled hole diameter with tolerance	1 ^(+0.1) mm

Environmental Requirements

Limit temperature range	-60 ... +105 °C
-------------------------	-----------------

Ferrule [Page 879](#)

Marking [Page 865](#)

Tool [Page 870](#)

See technical section for further information

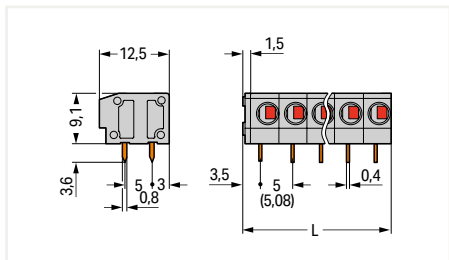
For approvals and corresponding ratings, visit www.wago.com

PCB terminal block ▶ 235 Series

PUSH WIRE® ▶ Actuation type: Operating tool ▶ 2.5 mm² ▶ Pin spacing: 5/5.08 mm / 0.197/0.2 inch
▶ Color: gray



Pole No.	Item No.	PU (SPU)
2	235-402	420 (105)
3	235-403	280 (70)
4	235-404	220 (55)
5	235-405	180 (45)
6	235-406	140 (35)
7	235-407	120 (30)
8	235-408	100 (25)
9	235-409	100 (25)
10	235-410	80 (20)
12	235-412	60 (15)



$L = (\text{pole no.} \times \text{pin spacing}) + 1.5 \text{ mm}$

PU = Packaging Unit; SPU = Subpackaging Unit; Dimensions in mm

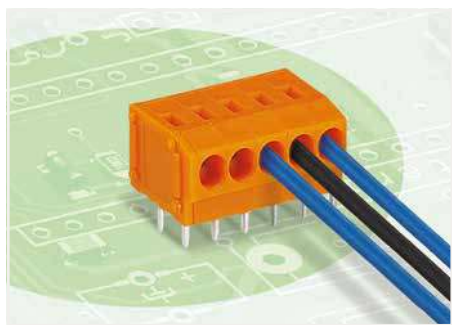
Other versions (or variants) can be requested from WAGO Sales or configured at <https://configurator.wago.com/>.

- Other pole numbers
- Other colors
- Terminal strips with 7.5/7.62 mm and 10/10.16 mm pin spacing
- Mixed-color PCB connector strips
- Direct marking

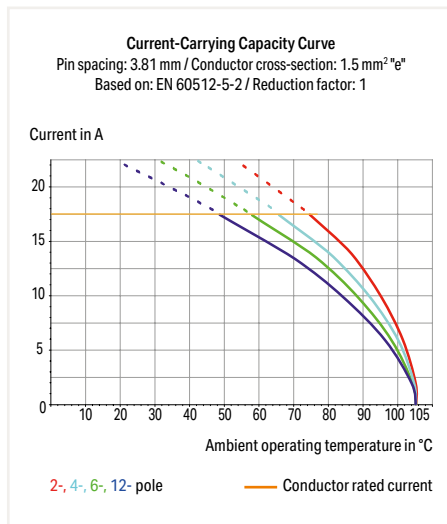
Stackable PCB terminal block ▶ 235 Series

PUSH WIRE® ▶ Actuation type: Operating tool ▶ 1.5 mm² ▶ Pin spacing: 3.81 mm / 0.15 inch ▶ Color: orange

1



- Low-profile PCB terminal blocks with PUSH WIRE® connection and screwdriver actuation
- Push-in termination of solid conductors
- Double solder pins for high mechanical stability
- Conductor removal via (2.5 x 0.4) mm screwdriver



Electrical Data

Pin spacing	3.81 mm / 0.15 inch		
Ratings per	IEC/EN 60664-1		
Overvoltage category	III	III	II
Pollution degree	3	2	2
Rated voltage	200 V	320 V	500 V
Rated impulse voltage	4 kV	4 kV	4 kV
Rated current	17.5 A	17.5 A	17.5 A
Approbations per	UL 1059		
Use group	B	C	D
Rated voltage	300 V	-	300 V
Rated current	10 A	-	10 A
Approbations per	CSA		
Use group	B	C	D
Rated voltage	300 V	-	-
Rated current	10 A	-	-

Connection Data

Connection technology	PUSH WIRE®
Strip length	9 ... 10 mm / 0.35 ... 0.39 inch
Conductor connection direction to PCB	0°
Solid conductor	0.5 ... 1.5 mm ² / 20 ... 16 AWG
Fine-stranded conductor; with insulated ferrule	0.25 ... 0.75 mm ²
Fine-stranded conductor; with uninsulated ferrule	0.25 ... 0.75 mm ²

Material Data

Material group	I
Insulation material	Polyamide (PA66)
Flammability class per UL94	V0
Clamping spring material	Chrome nickel spring steel (CrNi)
Contact material	Electrolytic copper (E _{Cu})
Contact plating	Tin-plated

Mechanical Data

Solder pin arrangement	Within the terminal block (in-line)
Solder pin length	3.6 mm
Solder pin dimensions	0.8 x 0.4 mm
Drilled hole diameter with tolerance	1 ^(+0.1) mm

Environmental Requirements

Limit temperature range	-60 ... +105 °C
-------------------------	-----------------

Ferrule Page 879

Marking Page 864

Tool Page 870

See technical section for further information

For approvals and corresponding ratings, visit www.wago.com

Stackable PCB terminal block ▶ 235 Series

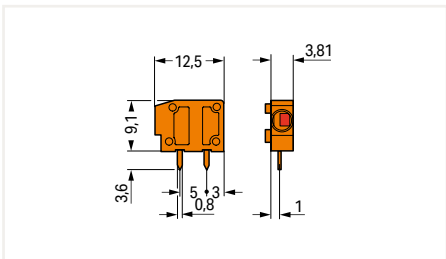
PUSH WIRE® ▶ Actuation type: Operating tool ▶ 1.5 mm² ▶ Pin spacing: 3.81 mm / 0.15 inch ▶ Color: orange

1



235-101/330-000

Color	Item No.	PU (SPU)
orange	235-101/330-000	800 (100)



Accessories; for all products on this page



End plate; Width: 1 mm; snap-on type

Color	Item No.	PU (SPU)
gray	235-100	2000 (100)
blue	235-400	2000 (100)
orange	235-600	2000 (100)
white	235-850	2000 (100)
black	235-500	2000 (100)
yellow	235-550	2000 (100)
light gray	235-300	2000 (100)
light green	235-700	2000 (100)
violet	235-650	2000 (100)
red	235-800	2000 (100)
dark gray	235-200	2000 (100)



Intermediate plate; Extends pin spacing; Width: 5 mm / 0.197 inch

Color	Item No.	PU (SPU)
gray	235-701	1000 (100)

PU = Packaging Unit; SPU = Subpackaging Unit; Dimensions in mm

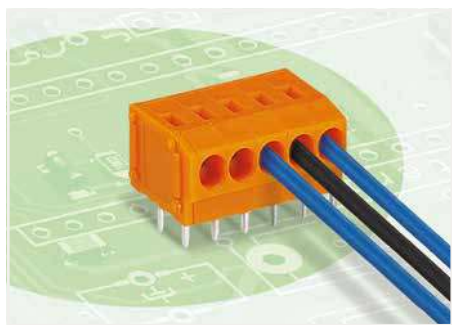
Other versions (or variants) can be requested from WAGO Sales or configured at <https://configurator.wago.com/>.

- Other colors

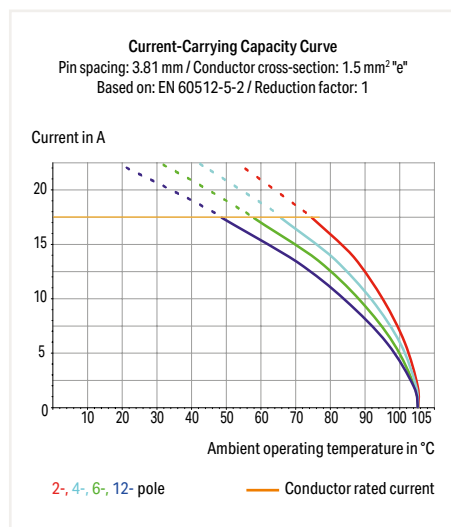
PCB terminal block ▶ 235 Series

PUSH WIRE® ▶ Actuation type: Operating tool ▶ 1.5 mm² ▶ Pin spacing: 3.81 mm / 0.15 inch ▶ Color: orange

1



- Low-profile terminal strips with screwdriver-actuated PUSH WIRE® termination
- Push-in termination of solid conductors
- Double solder pins for high mechanical stability
- Conductor removal via screwdriver (2.5 mm blade width)



Electrical Data

Pin spacing	3.81 mm / 0.15 inch		
Ratings per	IEC/EN 60664-1		
Overvoltage category	III	III	II
Pollution degree	3	2	2
Rated voltage	200 V	320 V	500 V
Rated impulse voltage	4 kV	4 kV	4 kV
Rated current	17.5 A	17.5 A	17.5 A
Approbations per	UL 1059		
Use group	B	C	D
Rated voltage	300 V	-	300 V
Rated current	10 A	-	10 A
Approbations per	CSA		
Use group	B	C	D
Rated voltage	300 V	-	-
Rated current	10 A	-	-

Connection Data

Connection technology	PUSH WIRE®
Strip length	9 ... 10 mm / 0.35 ... 0.39 inch
Conductor connection direction to PCB	0°
Solid conductor	0.5 ... 1.5 mm ² / 20 ... 16 AWG
Fine-stranded conductor; with insulated ferrule	0.25 ... 0.75 mm ²
Fine-stranded conductor; with uninsulated ferrule	0.25 ... 0.75 mm ²

Material Data

Material group	I
Insulation material	Polyamide (PA66)
Flammability class per UL94	V0
Clamping spring material	Chrome nickel spring steel (CrNi)
Contact material	Electrolytic copper (E _{Cu})
Contact plating	Tin-plated

Mechanical Data

Solder pin arrangement	Over the entire terminal strip (in-line)
Solder pin length	3.6 mm
Solder pin dimensions	0.8 x 0.4 mm
Drilled hole diameter with tolerance	1 ^(+0.1) mm

Environmental Requirements

Limit temperature range	-60 ... +105 °C
-------------------------	-----------------

Ferrule [Page 879](#)

Marking [Page 864](#)

Tool [Page 870](#)

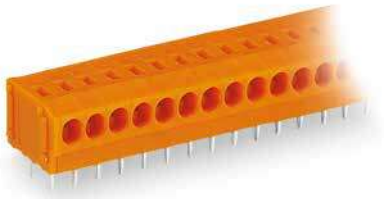
See technical section for further information

For approvals and corresponding ratings, visit www.wago.com

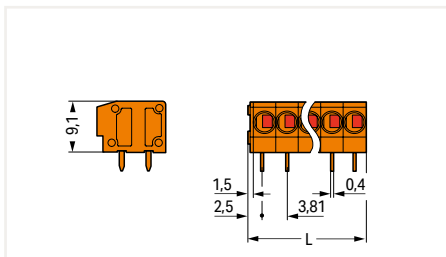
PCB terminal block ▶ 235 Series

PUSH WIRE® ▶ Actuation type: Operating tool ▶ 1.5 mm² ▶ Pin spacing: 3.81 mm / 0.15 inch ▶ Color: orange

1



Pole No.	Item No.	PU (SPU)
2	235-102/330-000	520 (130)
3	235-103/330-000	360 (90)
4	235-104/330-000	280 (70)
5	235-105/330-000	220 (55)
6	235-106/330-000	180 (45)
7	235-107/330-000	160 (40)
8	235-108/330-000	140 (35)
9	235-109/330-000	120 (30)
10	235-110/330-000	120 (40)



$L = (\text{pole no.} \times \text{pin spacing}) + 1.5 \text{ mm}$

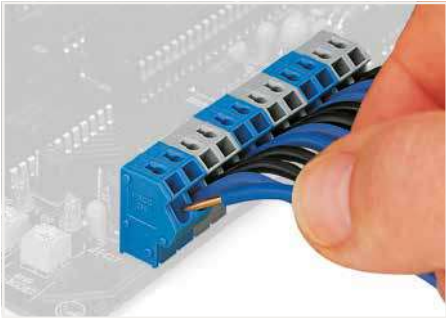
PU = Packaging Unit; SPU = Subpackaging Unit; Dimensions in mm

Other versions (or variants) can be requested from WAGO Sales or configured at <https://configurator.wago.com/>.

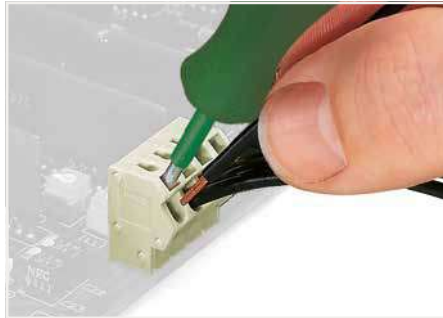
- Other pole numbers
- Other colors
- Mixed-color PCB connector strips
- Direct marking

254 Series Description and Installation

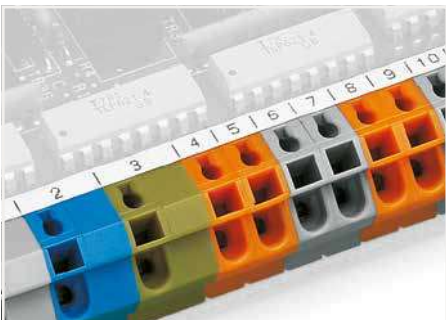
1



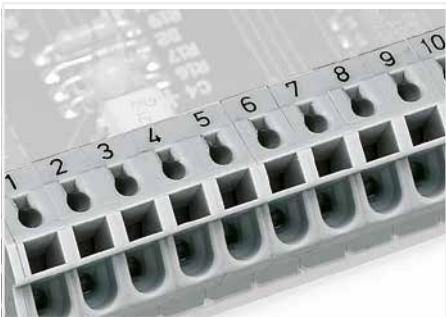
Inserting a solid conductor via push-in termination.



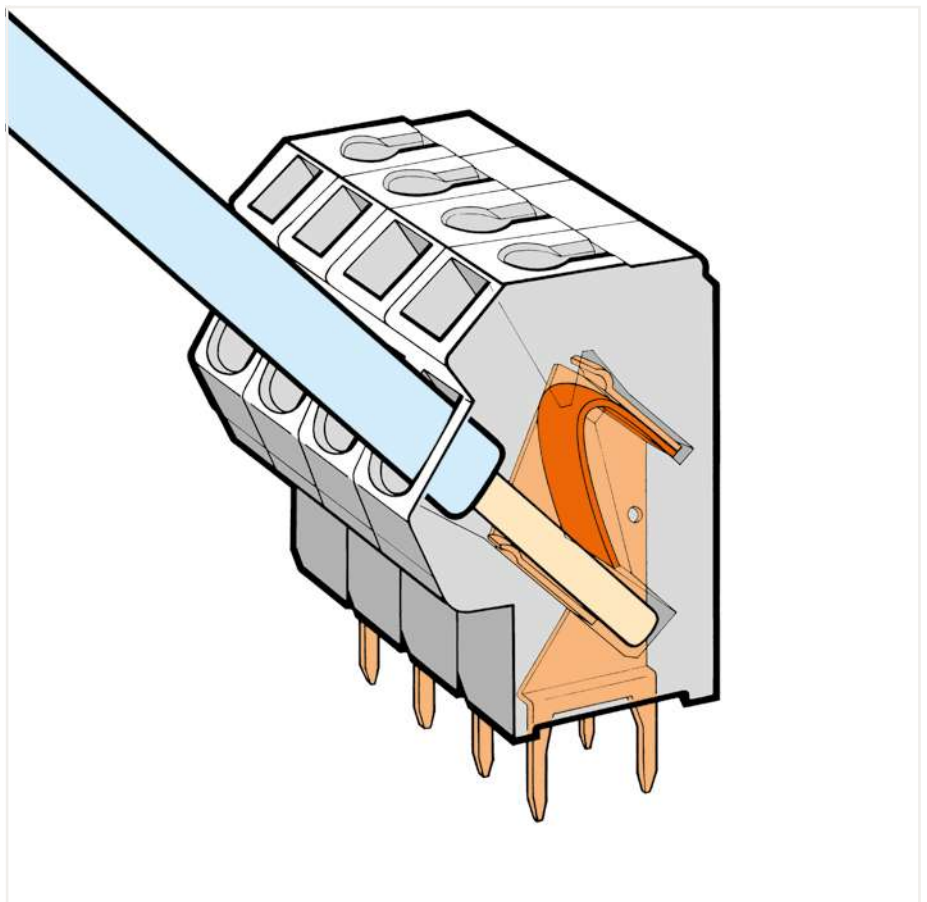
Inserting a tip-bonded conductor via screwdriver.



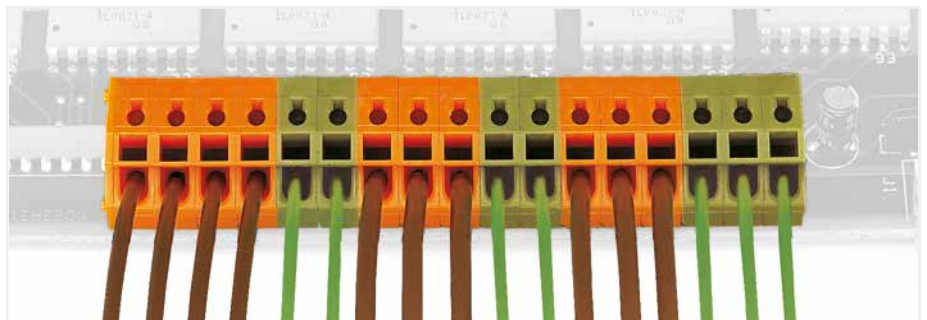
Labeling via self-adhesive marking strips.



Labeling via factory direct marking.

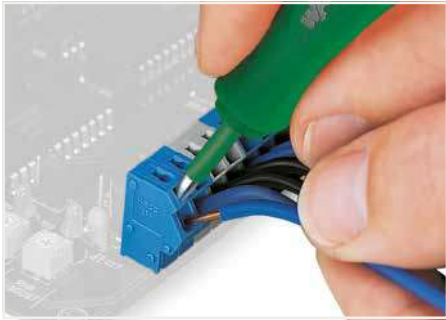


Application example: field-wiring terminal strip

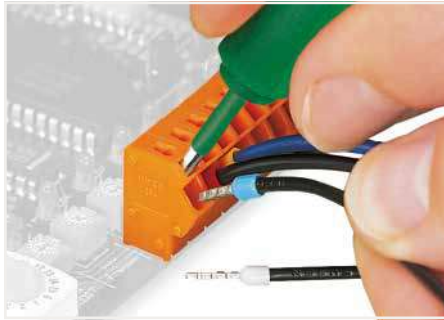


Mixed terminal strips can be assembled using different housing colors for the formation of groups.

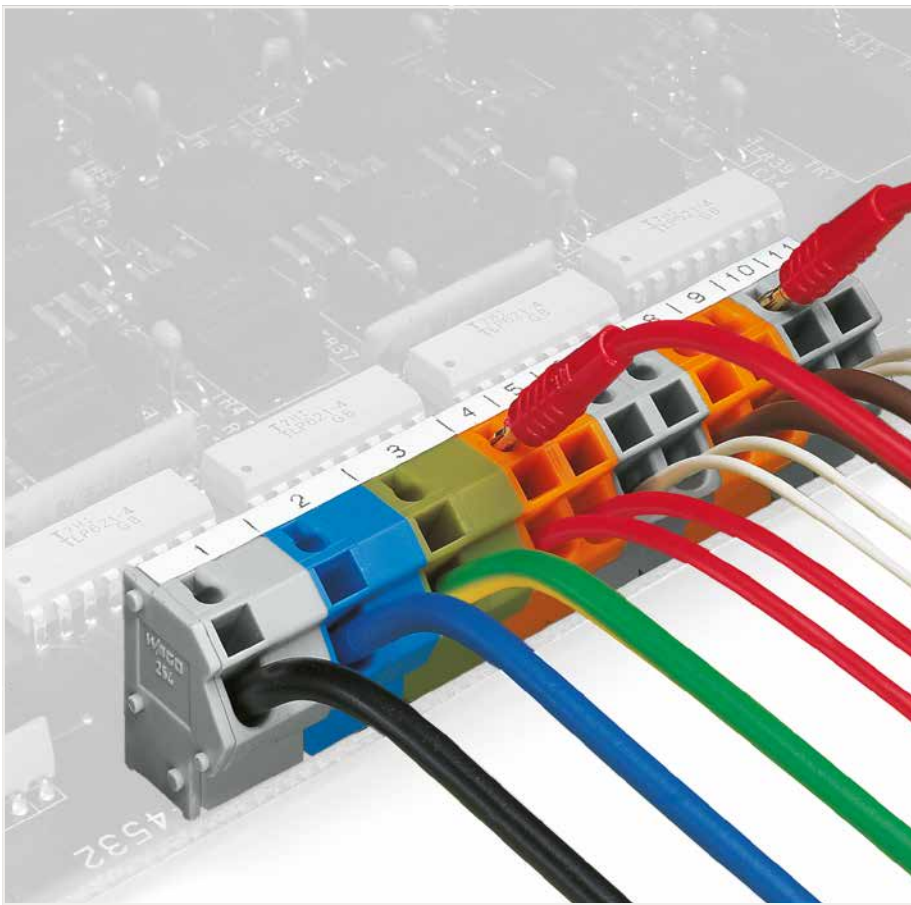
254 Series Description and Installation



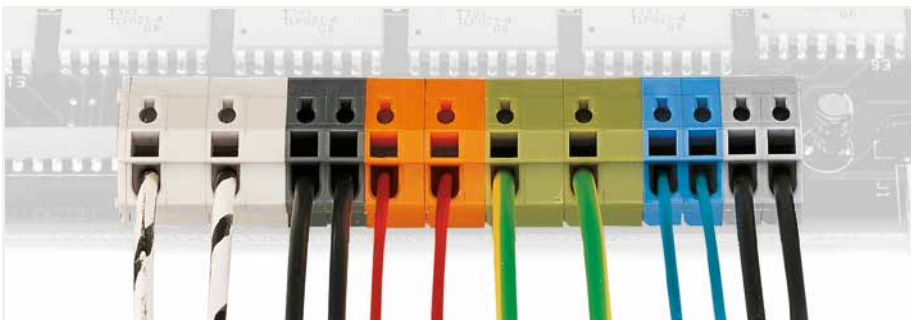
Removing a conductor.



Inserting/removing a ferruled conductor.



Testing with 2 mm Ø test plug.



Mixed terminal strips can be assembled using different pin spacing and housing colors for the formation of groups.

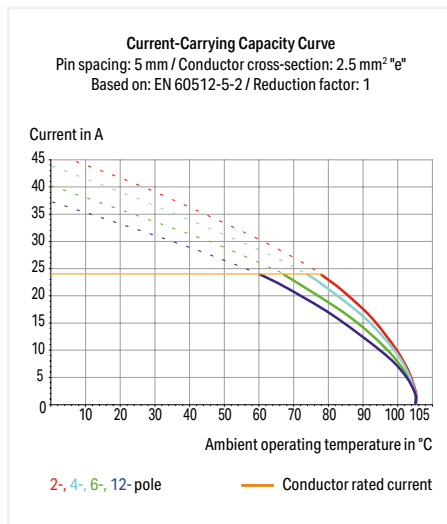
Stackable PCB terminal block ▶ 254 Series

PUSH WIRE® ▶ Actuation type: Operating tool ▶ 2.5 mm²

1



- Modular PCB terminal blocks with PUSH WIRE® connection and screwdriver actuation for custom terminal strip assemblies
- Push-in termination of solid and ferruled conductors
- Test socket for 2 mm Ø test plug
- Save space on the PCB, just 8.9 mm deep
- Also available with 2-conductor connection



Electrical Data

Pin spacing	5/5.08 mm / 0.197/0.2 inch			7.5/7.62 mm / 0.295/0.3 inch			10/10.16 mm / 0.394/0.4 inch		
Ratings per	IEC/EN 60664-1			IEC/EN 60664-1			IEC/EN 60664-1		
Overtoltage category	III	III	II	III	III	II	III	III	II
Pollution degree	3	2	2	3	2	2	3	2	2
Rated voltage	320 V	320 V	630 V	500 V	630 V	1000 V	630 V	1000 V	1000 V
Rated impulse voltage	4 kV	4 kV	4 kV	6 kV	6 kV	6 kV	8 kV	8 kV	8 kV
Rated current	24 A	24 A	24 A	24 A	24 A	24 A	24 A	24 A	24 A

Approbations per	UL 1059			UL 1059			UL 1059		
Use group	B	C	D	B	C	D	B	C	D
Rated voltage	300 V	-	300 V	300 V	-	300 V	300 V	-	300 V
Rated current	10 A	-	10 A	10 A	-	10 A	10 A	-	10 A

Approbations per	CSA			CSA			CSA		
Use group	B	C	D	B	C	D	B	C	D
Rated voltage	300 V	-	300 V	300 V	-	300 V	300 V	-	300 V
Rated current	10 A	-	10 A	10 A	-	10 A	10 A	-	10 A

Connection Data

Connection technology	PUSH WIRE®
Strip length	10 ... 12 mm / 0.39 ... 0.47 inch
Conductor connection direction to PCB	45°
Solid conductor	0.5 ... 2.5 mm ² / 20 ... 12 AWG
Fine-stranded conductor; with insulated ferrule	0.5 ... 1.5 mm ²
Fine-stranded conductor; with uninsulated ferrule	0.5 ... 1.5 mm ²
Note (conductor cross-section)	12 AWG: THHN, THWN

Material Data

Material group	I
Insulation material	Polyamide (PA66)
Flammability class per UL94	V0
Clamping spring material	Chrome nickel spring steel (CrNi)
Contact material	Electrolytic copper (E _{cu})
Contact plating	Tin-plated

Mechanical Data

Solder pin length	4 mm
Solder pin dimensions	0.5 x 0.75 mm
Drilled hole diameter with tolerance	1.1 ^(+0.1) mm

Environmental Requirements

Limit temperature range	-60 ... +105 °C
-------------------------	-----------------

Ferrule [Page 879](#)

Marking [Page 865](#)

Test and measurement [Page 886](#)

Tool [Page 870](#)

See technical section for further information

For approvals and corresponding ratings, visit www.wago.com

Stackable PCB terminal block ▶ 254 Series

PUSH WIRE® ▶ Actuation type: Operating tool ▶ 2.5 mm²

Pin spacing: 5/5.08 mm / 0.197/0.2 inch

Pin spacing: 7.5/7.62 mm / 0.295/0.3 inch

Pin spacing: 10/10.16 mm / 0.394/0.4 inch



254-451

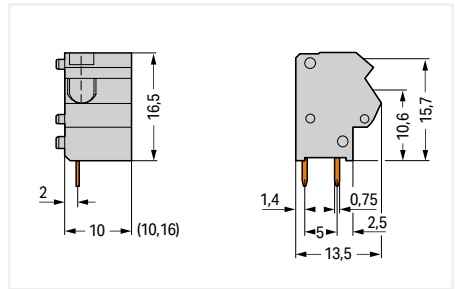
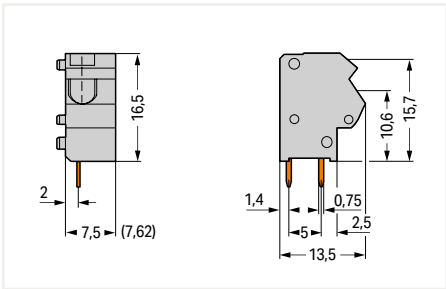
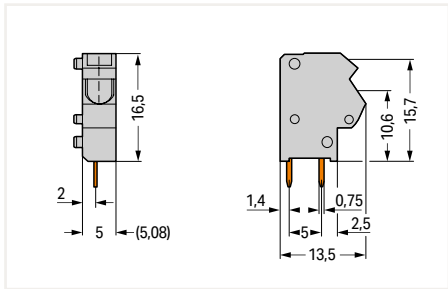
254-551

254-651

Color	Item No.	PU (SPU)
green-yellow	254-848	500 (100)
gray	254-451	500 (100)
blue	254-844	500 (100)
orange	254-846	500 (100)
light gray	254-843	500 (100)
light green	254-847	500 (100)
dark gray	254-842	500 (100)

Color	Item No.	PU (SPU)
gray	254-551	400 (100)
blue	254-854	400 (100)
orange	254-856	400 (100)
light gray	254-853	400 (100)
light green	254-857	400 (100)
dark gray	254-852	400 (100)

Color	Item No.	PU (SPU)
gray	254-651	300 (100)
blue	254-864	300 (100)
orange	254-866	300 (100)
light gray	254-863	300 (100)
light green	254-867	300 (100)
dark gray	254-862	300 (100)



Accessories; for all products on this page



End plate; Width: 1 mm; snap-on type

Color	Item No.	PU (SPU)
gray	254-100	2000 (100)
blue	254-400	2000 (100)
orange	254-600	2000 (100)
light gray	254-300	2000 (100)
light green	254-700	2000 (100)
dark gray	254-200	2000 (100)

PU = Packaging Unit; SPU = Subpackaging Unit; Dimensions in mm

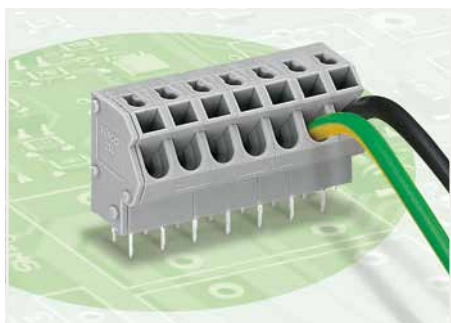
Other versions (or variants) can be requested from WAGO Sales or configured at <https://configurator.wago.com/>.

- Other colors

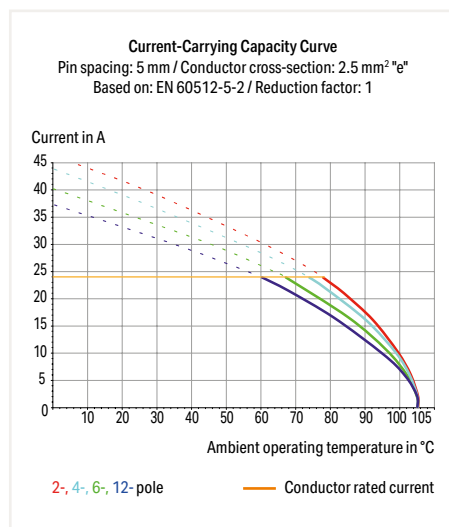
PCB terminal block ▶ 254 Series

PUSH WIRE® ▶ Actuation type: Operating tool ▶ 2.5 mm² ▶ Color: gray

1



- PCB terminal strips with screwdriver-actuated PUSH WIRE® termination
- Push-in termination of solid and ferruled, fine-stranded conductors
- Test socket for 2 mm Ø test plug
- Save space on the PCB, just 8.9 mm deep

**Electrical Data**

Pin spacing	5/5.08 mm / 0.197/0.2 inch			7.5/7.62 mm / 0.295/0.3 inch			10/10.16 mm / 0.394/0.4 inch		
Ratings per	IEC/EN 60664-1			IEC/EN 60664-1			IEC/EN 60664-1		
Overtoltage category	III	III	II	III	III	II	III	III	II
Pollution degree	3	2	2	3	2	2	3	2	2
Rated voltage	320 V	320 V	630 V	500 V	630 V	1000 V	630 V	1000 V	1000 V
Rated impulse voltage	4 kV	4 kV	4 kV	6 kV	6 kV	6 kV	8 kV	8 kV	8 kV
Rated current	24 A	24 A	24 A	24 A	24 A	24 A	24 A	24 A	24 A

Approbations per	UL 1059			UL 1059			UL 1059		
Use group	B	C	D	B	C	D	B	C	D
Rated voltage	300 V	-	300 V	300 V	-	300 V	300 V	-	300 V
Rated current	10 A	-	10 A	10 A	-	10 A	10 A	-	10 A

Approbations per	CSA			CSA			CSA		
Use group	B	C	D	B	C	D	B	C	D
Rated voltage	300 V	-	300 V	300 V	-	300 V	300 V	-	300 V
Rated current	10 A	-	10 A	10 A	-	10 A	10 A	-	10 A

Connection Data

Connection technology	PUSH WIRE®
Strip length	10 ... 12 mm / 0.39 ... 0.47 inch
Conductor connection direction to PCB	45°
Solid conductor	0.5 ... 2.5 mm ² / 20 ... 12 AWG
Fine-stranded conductor; with insulated ferrule	0.5 ... 1.5 mm ²
Fine-stranded conductor; with uninsulated ferrule	0.5 ... 1.5 mm ²
Note (conductor cross-section)	12 AWG: THHN, THWN

Material Data

Material group	I
Insulation material	Polyamide (PA66)
Flammability class per UL94	V0
Clamping spring material	Chrome nickel spring steel (CrNi)
Contact material	Electrolytic copper (E _{cu})
Contact plating	Tin-plated

Mechanical Data

Solder pin arrangement	Over the entire terminal strip (in-line)
Solder pin length	4 mm
Solder pin dimensions	0.5 x 0.75 mm
Drilled hole diameter with tolerance	1.1 ^(+0.1) mm

Environmental Requirements

Limit temperature range	-60 ... +105 °C
-------------------------	-----------------

Ferrule	Page 879
---------	----------

Marking	Page 865
---------	----------

Test and measurement	Page 886
----------------------	----------

Tool	Page 870
------	----------

See technical section for further information

For approvals and corresponding ratings, visit www.wago.com

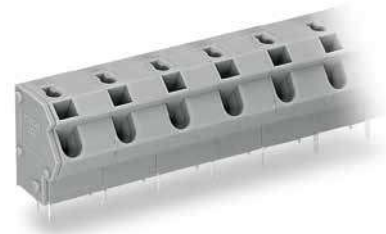
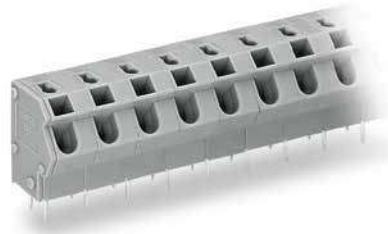
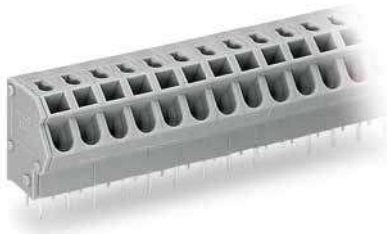
PCB terminal block ▶ 254 Series

PUSH WIRE® ▶ Actuation type: Operating tool ▶ 2.5 mm² ▶ Color: gray

Pin spacing: 5/5.08 mm / 0.197/0.2 inch

Pin spacing: 7.5/7.62 mm / 0.295/0.3 inch

Pin spacing: 10/10.16 mm / 0.394/0.4 inch

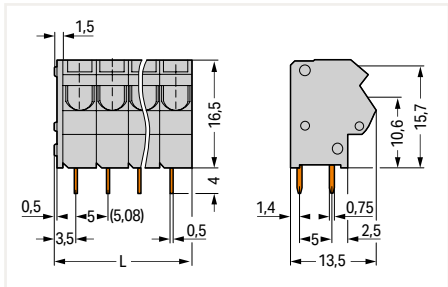


1

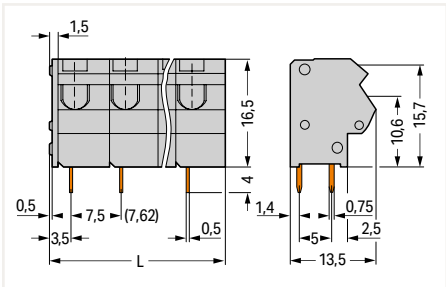
Pole No.	Item No.	PU (SPU)
2	254-452	420 (105)
3	254-453	280 (70)
4	254-454	220 (55)
5	254-455	180 (45)
6	254-456	140 (35)
7	254-457	120 (30)
8	254-458	100 (25)
9	254-459	100 (25)
10	254-460	80 (20)
12	254-462	80 (20)
16	254-466	60 (15)
24	254-474	40 (10)

Pole No.	Item No.	PU (SPU)
2	254-552	280 (70)
3	254-553	200 (50)
4	254-554	140 (35)
5	254-555	120 (30)
6	254-556	100 (25)
7	254-557	80 (20)
8	254-558	80 (20)
9	254-559	60 (15)
10	254-560	60 (15)
12	254-562	40 (10)

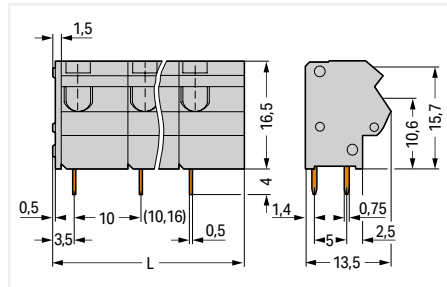
Pole No.	Item No.	PU (SPU)
2	254-652	200 (50)
3	254-653	160 (40)
4	254-654	100 (25)
5	254-655	80 (20)
6	254-656	80 (20)
7	254-657	60 (15)
8	254-658	60 (15)
9	254-659	40 (10)
10	254-660	40 (10)
12	254-662	40 (10)



L = (pole no. x pin spacing) + 1.5 mm



L = (pole no. x pin spacing) + 1.5 mm



L = (pole no. x pin spacing) + 1.5 mm

PU = Packaging Unit; SPU = Subpackaging Unit; Dimensions in mm

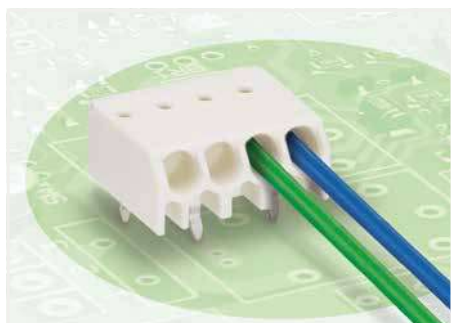
Other versions (or variants) can be requested from WAGO Sales or configured at <https://configurator.wago.com/>.

- Other pole numbers
- Other colors
- Mixed-color PCB connector strips
- Direct marking

PCB terminal block ▶ 744 Series

PUSH WIRE® ▶ Actuation type: Operating tool ▶ 1.5 mm² ▶ Pin spacing: 3.5 mm / 0.138 inch ▶ Color: white

1



- PCB terminal blocks with PUSH WIRE® connection
- Push-in termination of solid conductors – low insertion forces
- Just 6.4 mm tall
- Conductor removal via disconnection tool or by twist & pull

Electrical Data			
Pin spacing	3.5 mm / 0.138 inch		
Ratings per	IEC/EN 60664-1		
Overvoltage category	III	III	II
Pollution degree	3	2	2
Rated voltage	250 V	320 V	630 V
Rated impulse voltage	4 kV	4 kV	4 kV
Rated current	2 A	2 A	2 A
Approbations per	UL 1059		
Use group	B	C	D
Rated voltage	300 V	-	300 V
Rated current	6 A	-	6 A
Connection Data			
Connection technology	PUSH WIRE®		
Strip length	8 ... 9 mm / 0.31 ... 0.35 inch		
Conductor connection direction to PCB	0°		
Solid conductor	0.5 ... 1.5 mm ² / 20 ... 16 AWG		
Material Data			
Material group	I		
Insulation material	Polyamide (PA66)		
Flammability class per UL94	V0		
Clamping spring material	Chrome nickel spring steel (CrNi)		
Contact material	Copper alloy		
Contact plating	Tin-plated		
Mechanical Data			
Solder pin arrangement	Over the entire terminal strip (staggered)		
Solder pin dimensions	0.35 x 0.9 mm		
Drilled hole diameter with tolerance	1.1 ^(±0.1) mm		
Environmental Requirements			
Limit temperature range	-60 ... +105 °C		

Tool Page 872

See technical section for further information

For approvals and corresponding ratings, visit www.wago.com

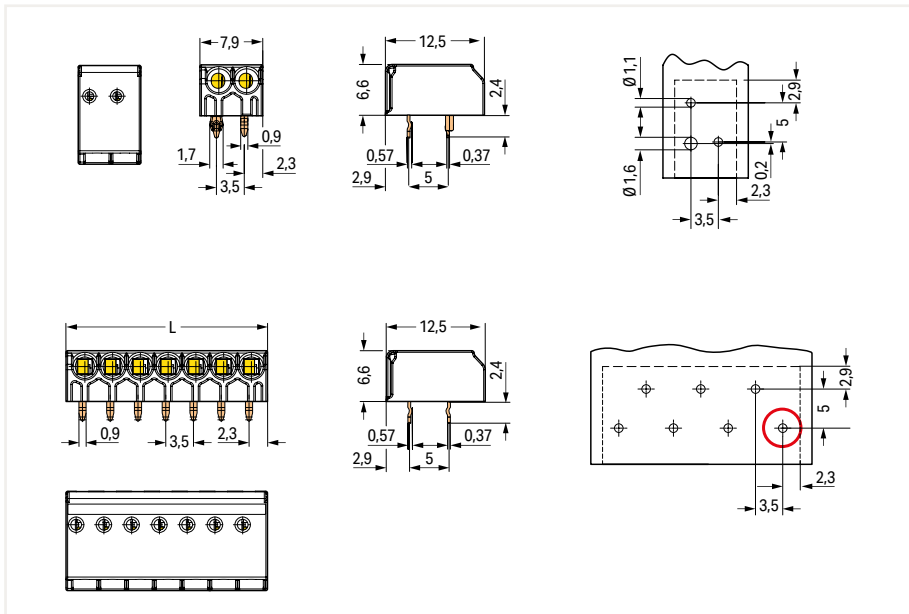
PCB terminal block ▶ 744 Series

PUSH WIRE® ▶ Actuation type: Operating tool ▶ 1.5 mm² ▶ Pin spacing: 3.5 mm / 0.138 inch ▶ Color: white

Solder pin length: 2.4 mm



Pole No.	Item No.	PU
2	744-392/364-000	1500
3	744-303/364-000	1000
4	744-304/364-000	800
6	744-306/364-000	500
7	744-307/364-000	300
8	744-308/364-000	300
10	744-310/364-000	200



„Two-pole version with additional anti-rotating pin
For 3 poles and more, L = (pole no. x pin spacing) + 0.9 mm
First solder pin, front right (red circle)“

PCB terminal block ▶ 744 Series

PUSH WIRE® ▶ Actuation type: Operating tool ▶ 1.5 mm² ▶ Pin spacing: 3.5 mm / 0.138 inch ▶ Color: white

Solder pin length: 3.5 mm

1



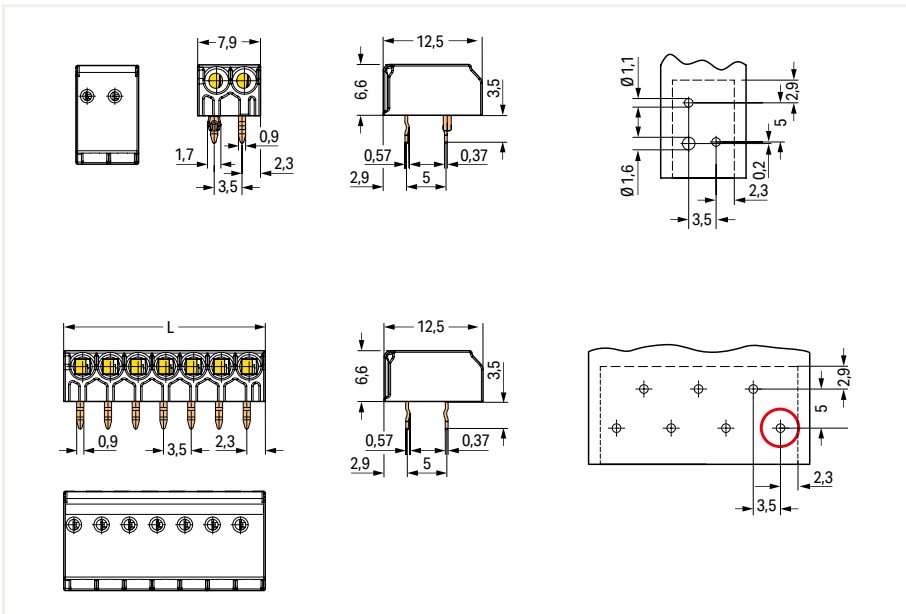
Pole No.	Item No.	PU
2	744-392	1500
3	744-303	1000
4	744-304	800
6	744-306	500
7	744-307	300
8	744-308	300
10	744-310	200



Inserting a conductor via push-in termination.



Removing a conductor via 1.0 mm Ø disconnection tool (206-841).

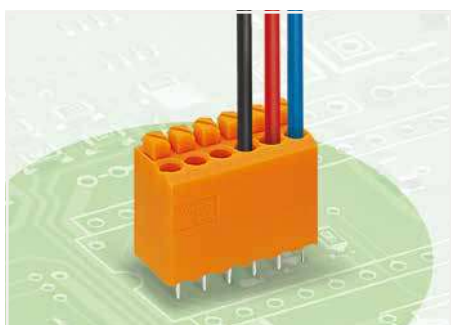


Two-pole version with additional anti-rotating pin
 For 3 poles and more, L = (pole no. x pin spacing) + 0.9 mm
 First solder pin, front right (red circle)

PCB terminal block ▶ 735 Series

PUSH WIRE® ▶ Actuation type: Push-button ▶ 1.5 mm²

1



- Compact PCB terminal blocks with push-buttons and PUSH WIRE® connection
- Top-of-unit, push-button actuation and conductor termination save space on the PCB
- Push-in termination of solid conductors
- Terminal blocks can be arranged side-by-side without loss of poles.

Electrical Data						
Pin spacing	3.81 mm / 0.15 inch			5 mm / 0.197 inch		
Color	orange			gray		
Ratings per	IEC/EN 60664-1			IEC/EN 60664-1		
Overvoltage category	III	III	II	III	III	II
Pollution degree	3	2	2	3	2	2
Rated voltage	250 V	320 V	630 V	320 V	320 V	630 V
Rated impulse voltage	4 kV	4 kV	4 kV	4 kV	4 kV	4 kV
Rated current	10 A	10 A	10 A	10 A	10 A	10 A
Approbations per	UL 1059			UL 1059		
Use group	B	C	D	B	C	D
Rated voltage	300 V	-	300 V	300 V	-	300 V
Rated current	10 A	-	10 A	10 A	-	10 A
Approbations per	CSA			CSA		
Use group	B	C	D	B	C	D
Rated voltage	300 V	-	300 V	300 V	-	300 V
Rated current	10 A	-	10 A	10 A	-	10 A
Connection Data						
Connection technology	PUSH WIRE®					
Strip length	8 ... 9 mm / 0.31 ... 0.35 inch					
Conductor connection direction to PCB	90 °					
Solid conductor	0.5 ... 1.5 mm ² / 20 ... 16 AWG					
Fine-stranded conductor; with insulated ferrule	0.5 ... 1 mm ²					
Fine-stranded conductor; with uninsulated ferrule	0.5 ... 1 mm ²					
Material Data						
Material group	I					
Insulation material	Polyamide (PA66)					
Flammability class per UL94	V0					
Clamping spring material	Chrome nickel spring steel (CrNi)					
Contact material	Electrolytic copper (E _{cu})					
Contact plating	Tin-plated					
Mechanical Data						
Solder pin arrangement	Over the entire terminal strip (in-line)					
Solder pin length	3.5 mm					
Solder pin dimensions	0.4 x 0.9 mm					
Drilled hole diameter with tolerance	1 ^(+0.1) mm					
Environmental Requirements						
Limit temperature range	-60 ... +105 °C					

Ferrule	Page 879
---------	----------

Marking	Page 864
---------	----------

Test and measurement	Page 886
----------------------	----------

Tool	Page 870
------	----------

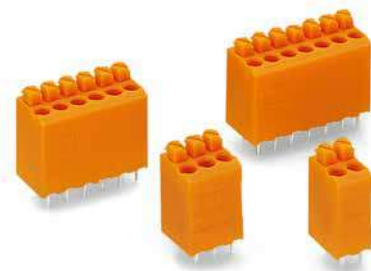
See technical section for further information

For approvals and corresponding ratings, visit www.wago.com

PCB terminal block ▶ 735 Series PUSH WIRE® ▶ Actuation type: Push-button ▶ 1.5 mm²

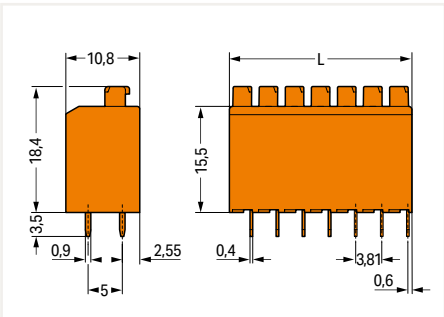
Pin spacing: 3.81 mm / 0.15 inch ▶ Color: orange

Pin spacing: 5 mm / 0.197 inch ▶ Color: gray

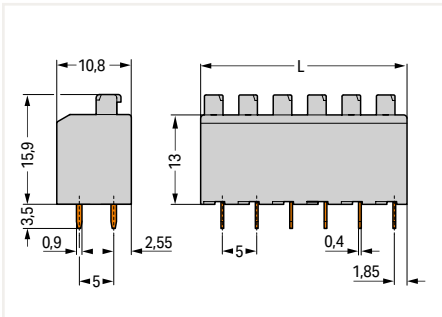


Pole No.	Item No.	PU (SPU)
2	735-122	660 (165)
3	735-123	440 (110)
6	735-126	220 (55)
7	735-127	180 (45)

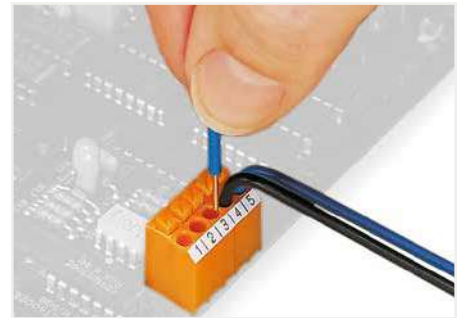
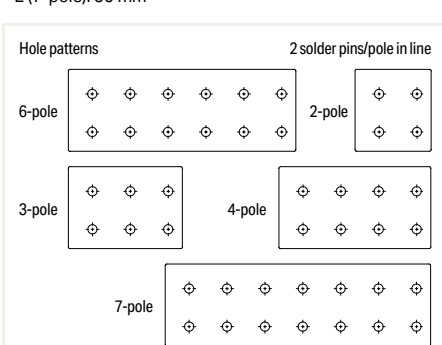
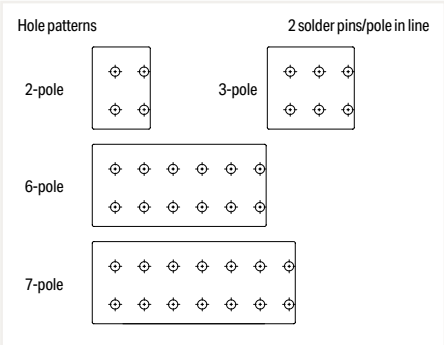
Pole No.	Item No.	PU (SPU)
2	735-302	500 (125)
3	735-303	320 (80)
4	735-304	240 (60)
6	735-306	160 (40)
7	735-307	140 (35)



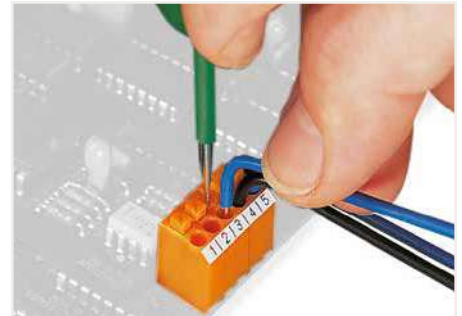
L (2-pole): 7.62 mm, L (3-pole): 11.43 mm
L (6-pole): 22.86 mm, L (7-pole): 26.67 mm



L (2-pole): 10 mm, L (3-pole): 15 mm
L (4-pole): 20 mm, L (6-pole): 30 mm
L (7-pole): 35 mm



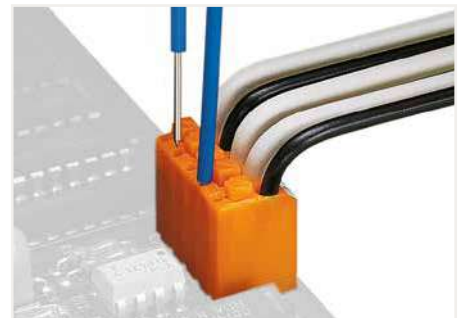
Insert solid conductors via push-in termination.



Removing a conductor via push-button.



Terminal blocks can be arranged side-by-side without loss of poles.



Testing via 1 mm Ø test pin.

PU = Packaging Unit; SPU = Subpackaging Unit; Dimensions in mm

Other versions (or variants) can be requested from WAGO Sales or configured at <https://configurator.wago.com/>.

- Direct marking

PCB terminal block ▶ 735 Series

PUSH WIRE® ▶ Actuation type: Push-button ▶ Compact terminal block variant: Spacer width: 1 x pin spacing ▶ 1.5 mm²

1



- Compact PCB terminal blocks with push-buttons and PUSH WIRE® connection
- Top-of-unit, push-button actuation and conductor termination save space on the PCB
- Push-in termination of solid conductors
- Terminal blocks can be arranged side-by-side without loss of poles.

Electrical Data									
Pin spacing	3.81 mm / 0.15 inch			5 mm / 0.197 inch			5 mm / 0.197 inch		
Color	orange			gray			gray		
Ratings per	IEC/EN 60664-1			IEC/EN 60664-1			IEC/EN 60664-1		
Overtoltage category	III	III	II	III	III	II	III	III	II
Pollution degree	3	2	2	3	2	2	3	2	2
Rated voltage	500 V	630 V	1000 V	320 V	630 V	1000 V	320 V	320 V	630 V
Rated impulse voltage	6 kV	6 kV	6 kV	4 kV	8 kV	8 kV	4 kV	4 kV	4 kV
Rated current	10 A	10 A	10 A	10 A	10 A	10 A	10 A	10 A	10 A
Approbations per	UL 1059			UL 1059			UL 1059		
Use group	B	C	D	B	C	D	B	C	D
Rated voltage	300 V	-	300 V	300 V	-	300 V	300 V	-	300 V
Rated current	10 A	-	10 A	10 A	-	10 A	10 A	-	10 A
Approbations per	CSA			CSA			CSA		
Use group	B	C	D	B	C	D	B	C	D
Rated voltage	300 V	-	300 V	300 V	-	300 V	300 V	-	300 V
Rated current	10 A	-	10 A	10 A	-	10 A	10 A	-	10 A
Connection Data									
Connection technology	PUSH WIRE®								
Strip length	8 ... 9 mm / 0.31 ... 0.35 inch								
Conductor connection direction to PCB	90°								
Solid conductor	0.5 ... 1.5 mm ² / 20 ... 16 AWG								
Fine-stranded conductor; with insulated ferrule	0.5 ... 1 mm ²								
Fine-stranded conductor; with uninsulated ferrule	0.5 ... 1 mm ²								
Material Data									
Material group	I								
Insulation material	Polyamide (PA66)								
Flammability class per UL94	V0								
Clamping spring material	Chrome nickel spring steel (CrNi)								
Contact material	Electrolytic copper (E _{cu})								
Contact plating	Tin-plated								
Mechanical Data									
Solder pin arrangement	Over the entire terminal strip (in-line)								
Solder pin length	3.5 mm								
Solder pin dimensions	0.4 x 0.9 mm								
Drilled hole diameter with tolerance	1 ^(+0.1) mm								
Environmental Requirements									
Limit temperature range	-60 ... +105 °C								

Ferrule [Page 879](#)

Marking [Page 864](#)

Test and measurement [Page 886](#)

Tool [Page 870](#)

See technical section for further information

For approvals and corresponding ratings, visit www.wago.com

PCB terminal block ▶ 735 Series

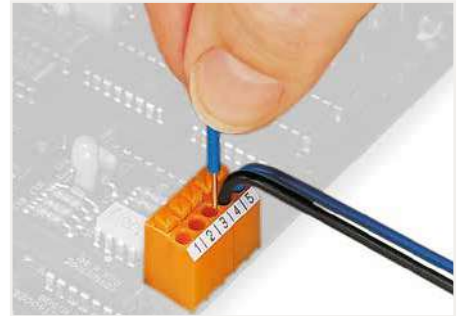
PUSH WIRE® ▶ Actuation type: Push-button ▶ Compact terminal block variant: Spacer width: 1 x pin spacing ▶ 1.5 mm²

Pin spacing: 3.81 mm / 0.15 inch ▶ Color: orange

Pin spacing: 5 mm / 0.197 inch ▶ Color: gray



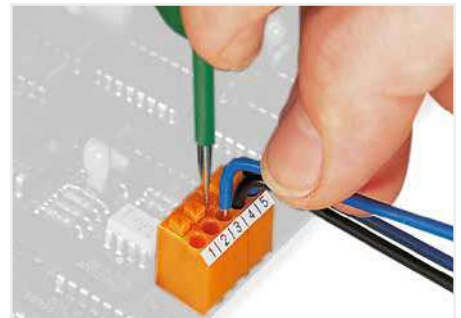
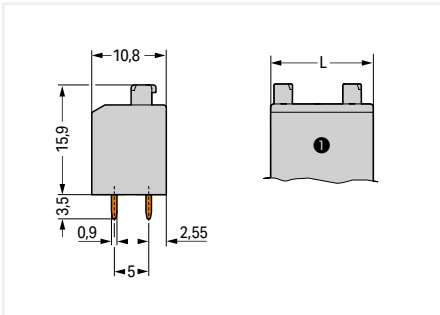
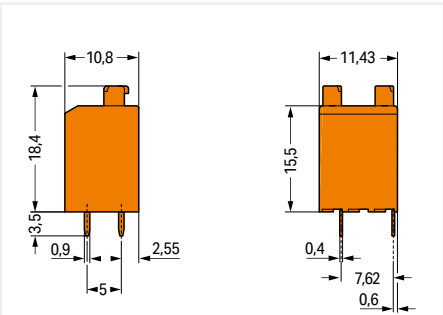
735-123/001-000



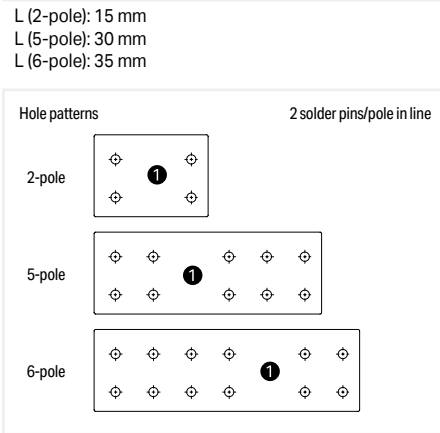
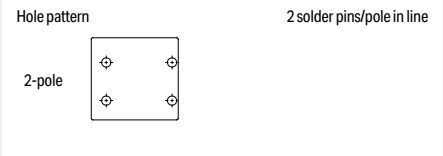
Insert solid conductors via push-in termination.

Color	Pole No.	Item No.	PU (SPU)
orange	2	735-123/001-000	440 (110)

Pole No.	Item No.	PU (SPU)
2	735-303/001-000	320 (80)
5	735-306/003-000	160 (40)
6	735-307/001-000	140 (35)



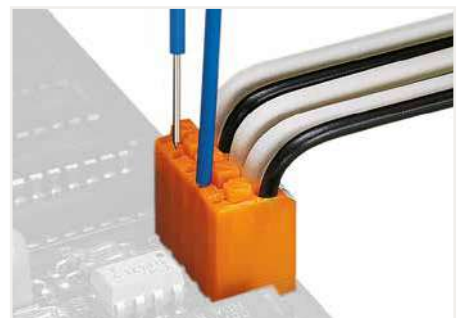
Removing a conductor via push-button.



(1) Spacer: 1 x pin spacing



Terminal blocks can be arranged side-by-side without loss of poles.



Testing via 1 mm Ø test pin.

PU = Packaging Unit; SPU = Subpackaging Unit; Dimensions in mm

Other versions (or variants) can be requested from WAGO Sales or configured at <https://configurator.wago.com/>.

- Direct marking

PCB terminal block ▶ 735 Series

PUSH WIRE® ▶ Actuation type: Push-button ▶ Compact terminal block variant: Spacer width: 2 x pin spacing ▶ 1.5 mm²

1



- Compact PCB terminal blocks with push-buttons and PUSH WIRE® connection
- Top-of-unit, push-button actuation and conductor termination save space on the PCB
- Push-in termination of solid conductors
- Terminal blocks can be arranged side-by-side without loss of poles.

Electrical Data						
Pin spacing	3.81 mm / 0.15 inch orange			5 mm / 0.197 inch gray		
Color	orange			gray		
Ratings per	IEC/EN 60664-1			IEC/EN 60664-1		
Overvoltage category	III	III	II	III	III	II
Pollution degree	3	2	2	3	2	2
Rated voltage	250 V	320 V	630 V	320 V	320 V	630 V
Rated impulse voltage	4 kV	4 kV	4 kV	4 kV	4 kV	4 kV
Rated current	10 A	10 A	10 A	10 A	10 A	10 A
Approbations per	UL 1059			UL 1059		
Use group	B	C	D	B	C	D
Rated voltage	300 V	-	300 V	300 V	-	300 V
Rated current	10 A	-	10 A	10 A	-	10 A
Approbations per	CSA			CSA		
Use group	B	C	D	B	C	D
Rated voltage	300 V	-	300 V	300 V	-	300 V
Rated current	10 A	-	10 A	10 A	-	10 A
Connection Data						
Connection technology	PUSH WIRE®					
Strip length	8 ... 9 mm / 0.31 ... 0.35 inch					
Conductor connection direction to PCB	90 °					
Solid conductor	0.5 ... 1.5 mm ² / 20 ... 16 AWG					
Fine-stranded conductor; with insulated ferrule	0.5 ... 1 mm ²					
Fine-stranded conductor; with uninsulated ferrule	0.5 ... 1 mm ²					
Material Data						
Material group	I					
Insulation material	Polyamide (PA66)					
Flammability class per UL94	V0					
Clamping spring material	Chrome nickel spring steel (CrNi)					
Contact material	Electrolytic copper (E _{cu})					
Contact plating	Tin-plated					
Mechanical Data						
Solder pin arrangement	Over the entire terminal strip (in-line)					
Solder pin length	3.5 mm					
Solder pin dimensions	0.4 x 0.9 mm					
Drilled hole diameter with tolerance	1 ^(+0.1) mm					
Environmental Requirements						
Limit temperature range	-60 ... +105 °C					

Ferrule [Page 879](#)

Marking [Page 864](#)

Test and measurement [Page 886](#)

Tool [Page 870](#)

See technical section for further information

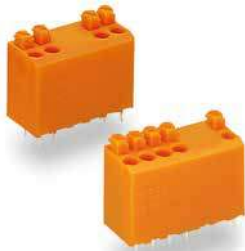
For approvals and corresponding ratings, visit www.wago.com

PCB terminal block ▶ 735 Series

PUSH WIRE® ▶ Actuation type: Push-button ▶ Compact terminal block variant: Spacer width: 2 x pin spacing ▶ 1.5 mm²

Pin spacing: 3.81 mm / 0.15 inch ▶ Color: orange

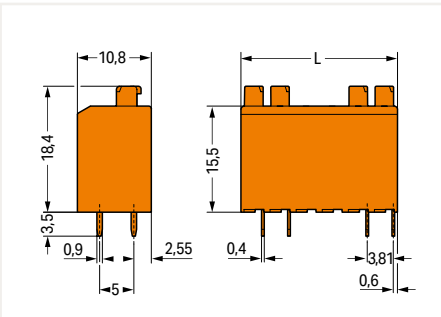
Pin spacing: 5 mm / 0.197 inch ▶ Color: gray



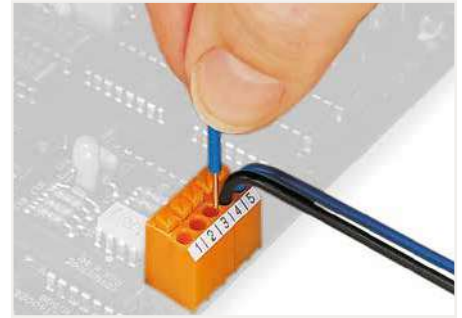
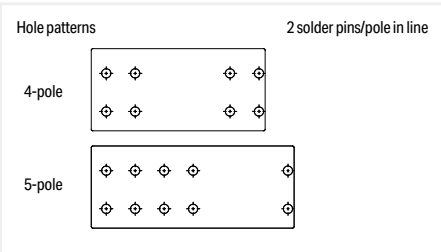
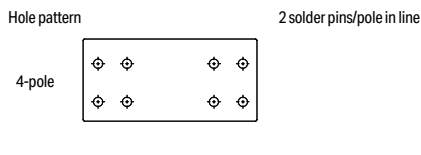
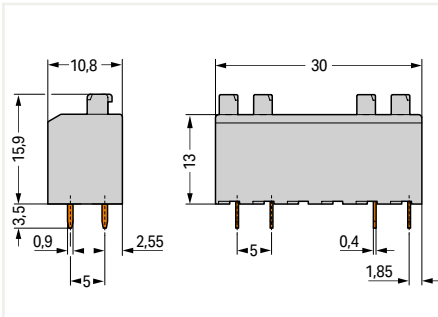
735-306/001-000

Pole No.	Item No.	PU (SPU)
4	735-126/001-000	220 (55)
5	735-127/001-000	180 (45)

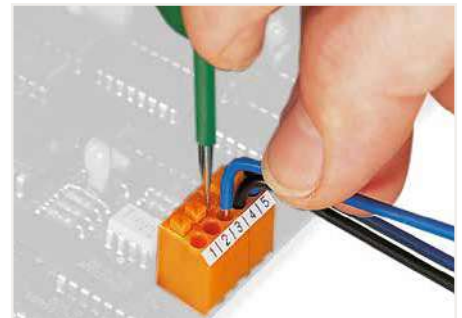
Color	Pole No.	Item No.	PU (SPU)
● gray	4	735-306/001-000	160 (40)



L (4-pole): 22.86 mm
L (5-pole): 26.67 mm



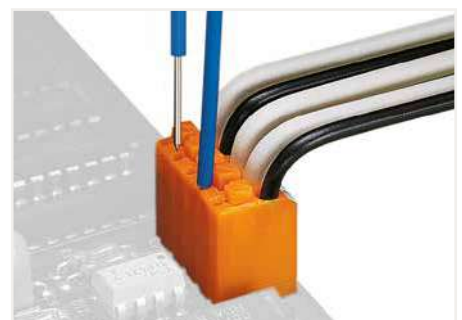
Insert solid conductors via push-in termination.



Removing a conductor via push-button.



Terminal blocks can be arranged side-by-side without loss of poles.



Testing via 1 mm Ø test pin.

PU = Packaging Unit; SPU = Subpackaging Unit; Dimensions in mm

Other versions (or variants) can be requested from WAGO Sales or configured at <https://configurator.wago.com/>.

- Direct marking

PCB terminal block ▶ 735 Series

PUSH WIRE® ▶ Actuation type: Push-button ▶ Compact terminal block variant: Spacer width: 3 x pin spacing ▶ 1.5 mm² ▶ Pin spacing: 5 mm / 0.197 inch ▶ Color: gray

1



- Compact PCB terminal blocks with push-buttons and PUSH WIRE® connection
- Top-of-unit, push-button actuation and conductor termination save space on the PCB
- Push-in termination of solid conductors
- Terminal blocks can be arranged side-by-side without loss of poles.

Electrical Data			
Pin spacing	5 mm / 0.197 inch		
Ratings per	IEC/EN 60664-1		
Overvoltage category	III	III	II
Pollution degree	3	2	2
Rated voltage	320 V	320 V	630 V
Rated impulse voltage	4 kV	4 kV	4 kV
Rated current	10 A	10 A	10 A
Approbations per	UL 1059		
Use group	B	C	D
Rated voltage	300 V	-	300 V
Rated current	10 A	-	10 A
Approbations per	CSA		
Use group	B	C	D
Rated voltage	300 V	-	300 V
Rated current	10 A	-	10 A
Connection Data			
Connection technology	PUSH WIRE®		
Strip length	8 ... 9 mm / 0.31 ... 0.35 inch		
Conductor connection direction to PCB	90°		
Solid conductor	0.5 ... 1.5 mm ² / 20 ... 16 AWG		
Fine-stranded conductor; with insulated ferrule	0.5 ... 1 mm ²		
Fine-stranded conductor; with uninsulated ferrule	0.5 ... 1 mm ²		
Material Data			
Material group	I		
Insulation material	Polyamide (PA66)		
Flammability class per UL94	V0		
Clamping spring material	Chrome nickel spring steel (CrNi)		
Contact material	Electrolytic copper (E _{Cu})		
Contact plating	Tin-plated		
Mechanical Data			
Solder pin arrangement	Over the entire terminal strip (in-line)		
Solder pin length	3.5 mm		
Solder pin dimensions	0.4 x 0.9 mm		
Drilled hole diameter with tolerance	1 ^(+0.1) mm		
Environmental Requirements			
Limit temperature range	-60 ... +105 °C		

Ferrule [Page 879](#)

Marking [Page 865](#)

Test and measurement [Page 886](#)

Tool [Page 870](#)

See technical section for further information

For approvals and corresponding ratings, visit www.wago.com

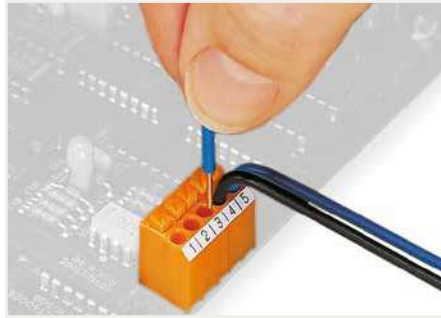
PCB terminal block ▶ 735 Series

PUSH WIRE® ▶ Actuation type: Push-button ▶ Compact terminal block variant: Spacer width: 3 x pin spacing ▶ 1.5 mm² ▶ Pin spacing: 5 mm / 0.197 inch ▶ Color: gray

1

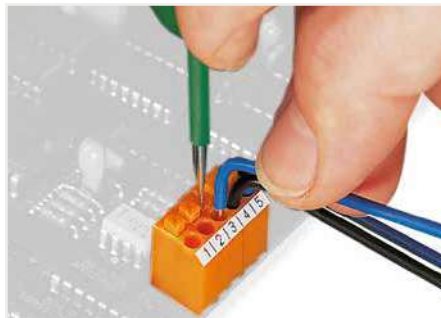


735-307/002-000

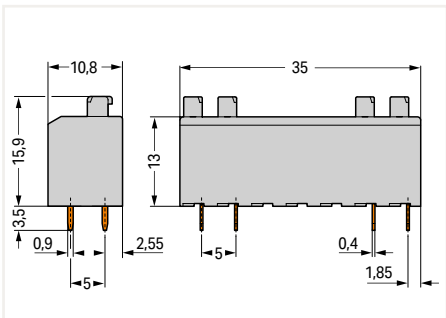


Insert solid conductors via push-in termination.

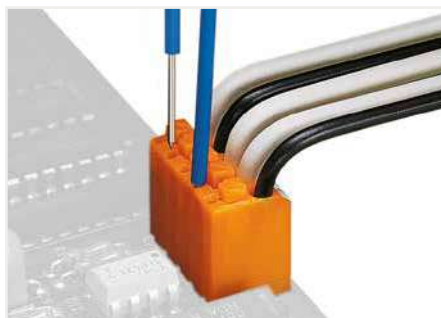
Color	Pole No.	Item No.	PU (SPU)
● gray	4	735-307/002-000	140 (35)



Removing a conductor via push-button.



Terminal blocks can be arranged side-by-side without loss of poles.



Testing via 1 mm Ø test pin.

PU = Packaging Unit; SPU = Subpackaging Unit; Dimensions in mm

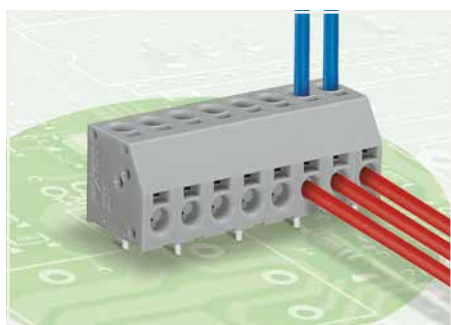
Other versions (or variants) can be requested from WAGO Sales or configured at <https://configurator.wago.com/>.

- Direct marking

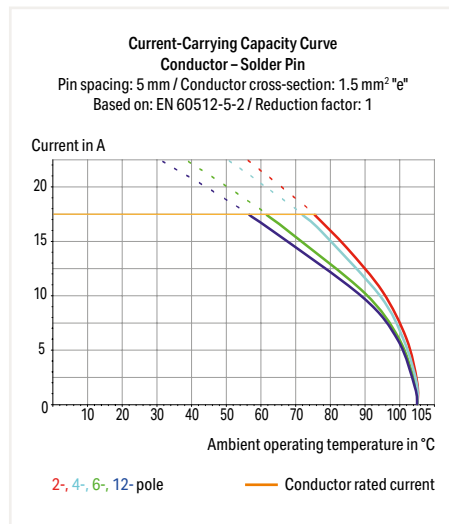
2-conductor PCB terminal block ▶ 253 Series

PUSH WIRE® ▶ Actuation type: Operating tool ▶ 1.5 mm² ▶ Pin spacing: 5 mm / 0.197 inch ▶ Color: gray

1



- PCB terminal strips with screwdriver-actuated PUSH WIRE® termination
- Double-conductor connection provides top-entry (vertical) and/or side-entry (horizontal) wiring
- Push-in termination of solid conductors
- Double entries for power supply and potential distribution



Electrical Data

Pin spacing	5 mm / 0.197 inch		
Ratings per	IEC/EN 60664-1		
Overvoltage category	III	III	II
Pollution degree	3	2	2
Rated voltage	320 V	320 V	630 V
Rated impulse voltage	4 kV	4 kV	4 kV
Rated current	17.5 A	17.5 A	17.5 A
Approbations per	UL 1059		
Use group	B	C	D
Rated voltage	300 V	-	300 V
Rated current	8 A	-	8 A
Approbations per	CSA		
Use group	B	C	D
Rated voltage	300 V	-	300 V
Rated current	8 A	-	8 A

Connection Data

Connection type (1)	PUSH WIRE® connection
Connection technology	PUSH WIRE®
Number of connection points (connection type)	1
Strip length	8.5 ... 9.5 mm / 0.33 ... 0.37 inch
Note (strip length)	7 ... 8 mm / 0.28 ... 0.31 inch (for wiring on both sides)
Conductor connection direction to PCB	0°
Solid conductor	0.5 ... 1.5 mm ² / 20 ... 16 AWG
Connection type 2	PUSH WIRE® connection
Connection technology 2	PUSH WIRE®
Number of connection points	1
Strip length 2	8.5 ... 9.5 mm / 0.33 ... 0.37 inch
Note (strip length) 2	7 ... 8 mm / 0.28 ... 0.31 inch (for wiring on both sides)
Conductor connection direction to PCB 2	90°
Solid conductor 2	0.5 ... 1.5 mm ² / 20 ... 16 AWG

Material Data

Material group	I
Insulation material	Polyamide (PA66)
Flammability class per UL94	V0
Clamping spring material	Chrome nickel spring steel (CrNi)
Contact material	Electrolytic copper (E _{cu})
Contact plating	Tin-plated

Mechanical Data

Solder pin arrangement	Over the entire terminal strip (staggered)
Solder pin length	3.6 mm
Solder pin dimensions	0.5 x 0.8 mm
Drilled hole diameter with tolerance	1.1 (+0.1) mm

Environmental Requirements

Limit temperature range	-60 ... +105 °C
-------------------------	-----------------

Marking Page 865

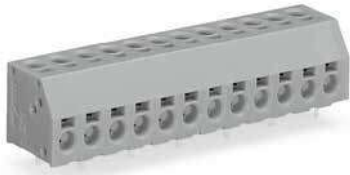
Tool Page 870

See technical section for further information

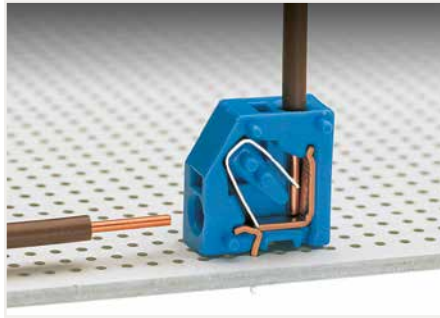
For approvals and corresponding ratings, visit www.wago.com

2-conductor PCB terminal block ▶ 253 Series

PUSH WIRE® ▶ Actuation type: Operating tool ▶ 1.5 mm² ▶ Pin spacing: 5 mm / 0.197 inch ▶ Color: gray

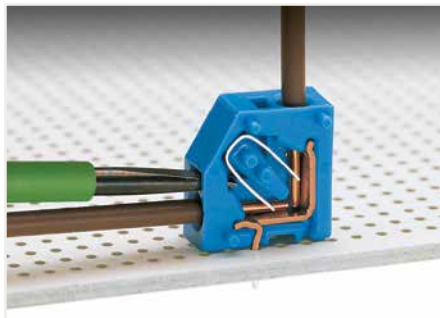


253-112

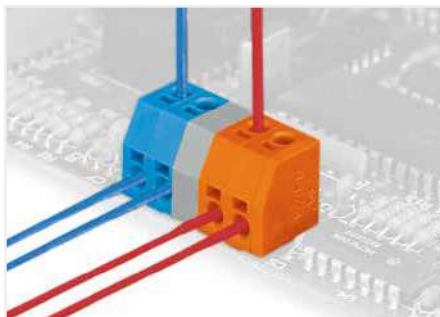


Inserting a conductor via push-in termination.

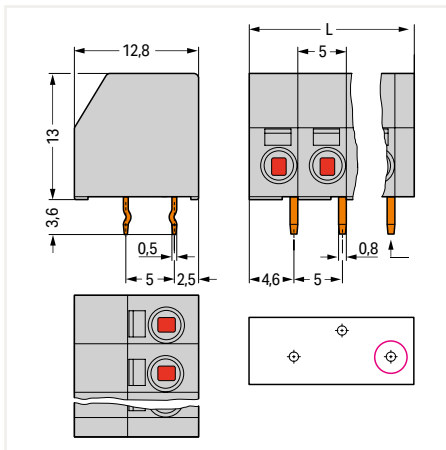
Pole No.	Item No.	PU (SPU)
2	253-102	400 (100)
3	253-103	280 (70)
4	253-104	220 (55)
5	253-105	160 (40)
6	253-106	140 (35)
7	253-107	120 (30)
8	253-108	100 (25)
9	253-109	100 (25)
10	253-110	80 (20)
11	253-111	80 (20)
12	253-112	60 (15)
13	253-113	60 (15)
14	253-114	60 (15)
15	253-115	60 (15)
16	253-116	40 (10)



Removing a conductor via 2.5 mm screwdriver.



Mixed-color terminal strips (with or without spacer) are available upon request.



$L = (\text{pole no.} \times \text{pin spacing}) + 2 \text{ mm}$
First solder pin, front right (red circle)

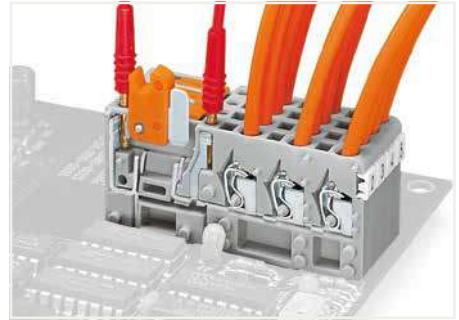
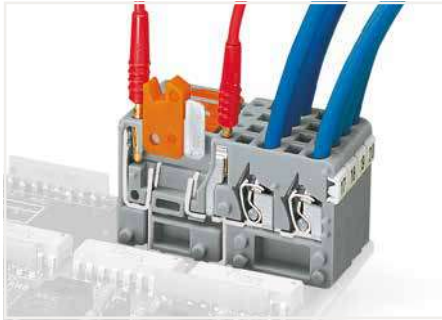
PU = Packaging Unit; SPU = Subpackaging Unit; Dimensions in mm

Other versions (or variants) can be requested from WAGO Sales or configured at <https://configurator.wago.com/>.

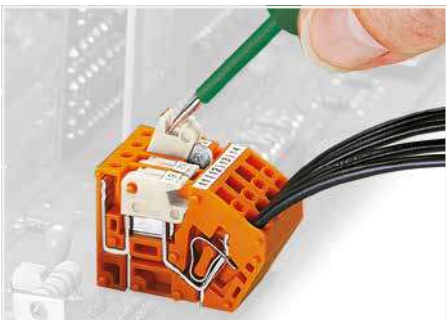
- Other pole numbers
- Other colors
- Mixed-color PCB connector strips
- Direct marking

742 Series Description and Installation

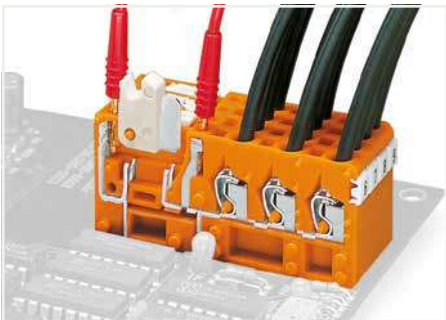
1



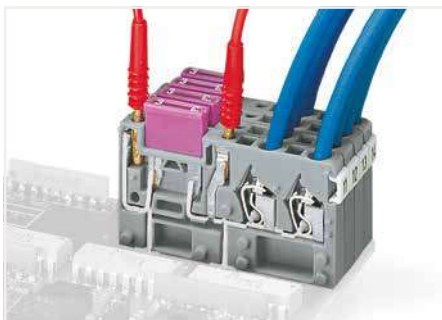
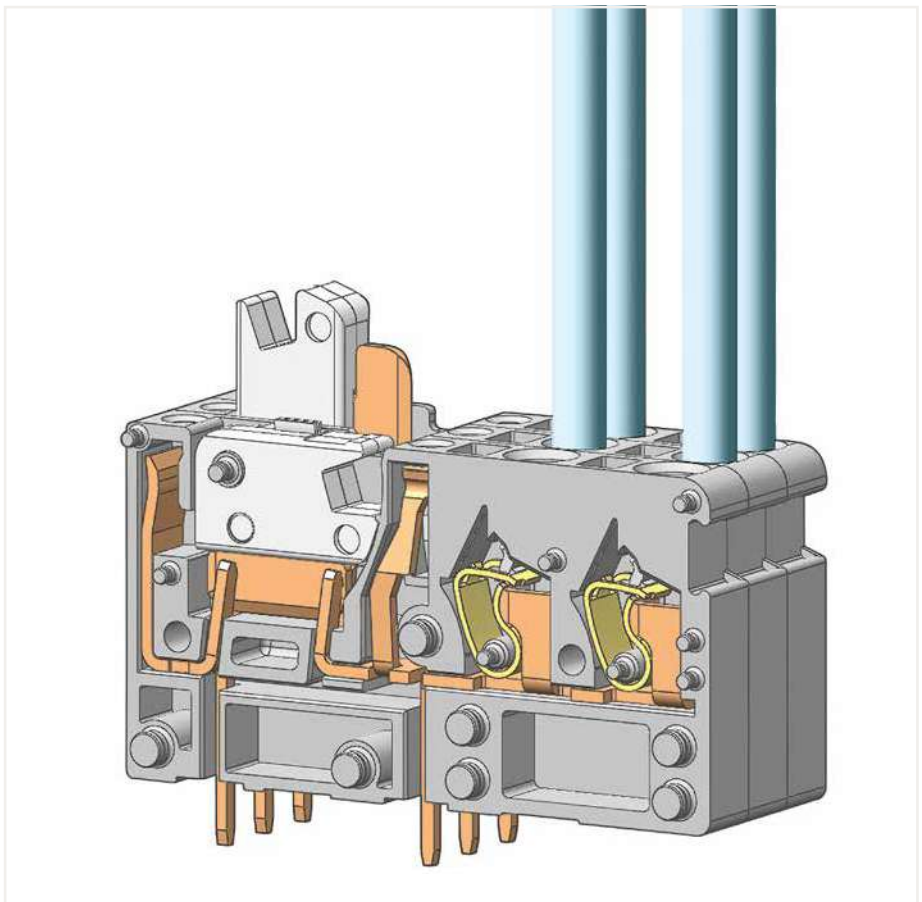
Testing all PCB disconnect terminal blocks via 2 mm or 2.3 mm Ø test plugs.



Opening a knife disconnect.

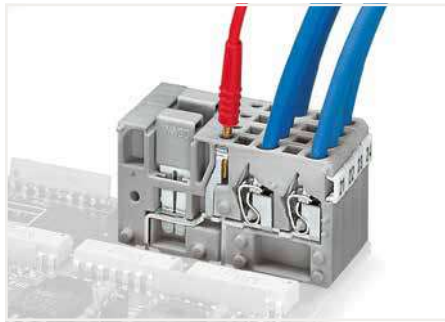


Distributing potentials via 3-conductor terminal blocks.

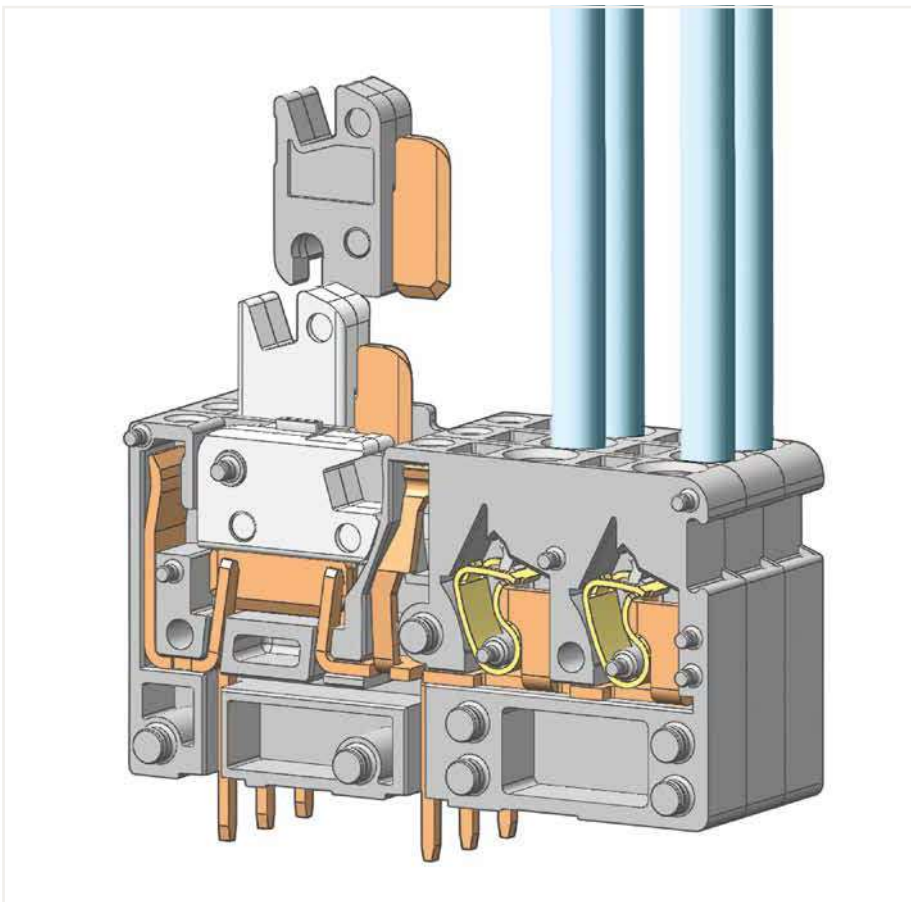


Testing all PCB fuse terminal blocks via 2 mm or 2.3 mm Ø test plugs.

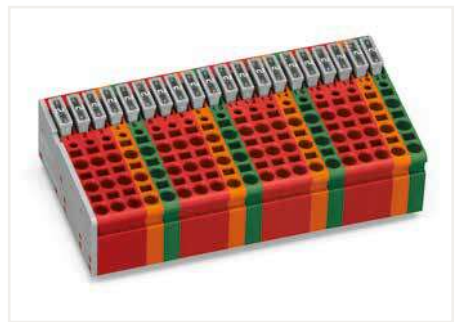
742 Series Description and Installation



Testing all PCB terminal blocks via 2 mm or 2.3 mm Ø test plugs.



Disconnect terminal blocks with removable knife disconnect are available upon request.



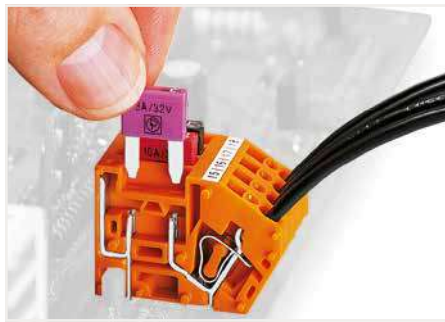
Mixed-color terminal strips are available upon request.



Mixed-color knife disconnect/test terminal strips are available upon request.



Commoning with adjacent jumpers – push jumpers down until fully inserted.



Inserting a fuse.



Custom PCB terminal strips are available upon request.

Stackable PCB terminal block ▶ 742 Series

Disconnect/test terminal block ▶ CAGE CLAMP® ▶ Actuation type: Operating tool ▶ 2.5 mm² ▶ Pin spacing: 5 mm / 0.197 inch ▶ Color: gray

1



- Modular PCB terminal blocks with screwdriver-actuated CAGE CLAMP® connection
- Power circuit disconnection via knife disconnect, e.g., for regular testing and measuring
- Test sockets on both sides of knife disconnect for 2.0 mm or 2.3 mm Ø test plugs
- 2- and 3-conductor PCB terminal blocks for distributing potentials independently of PCB
- Versions with removable knife disconnects available upon request

Electrical Data						
Pin spacing	5 mm / 0.197 inch			5 mm / 0.197 inch		
Number of connection points	1			2;3		
Ratings per	IEC/EN 60664-1			IEC/EN 60664-1		
Overtoltage category	III	III	II	III	III	II
Pollution degree	3	2	2	3	2	2
Rated voltage	320 V	320 V	630 V	320 V	320 V	630 V
Rated impulse voltage	4 kV	4 kV	4 kV	4 kV	4 kV	4 kV
Rated current	16 A	16 A	16 A	16 A	16 A	16 A
Approbations per	UL 1059			UL 1059		
Use group	B	C	D	B	C	D
Rated voltage	300 V	-	300 V	300 V	-	300 V
Rated current	10 A	-	10 A	10 A	-	10 A
Approbations per	CSA			CSA		
Use group	B	C	D	B	C	D
Rated voltage	300 V	-	300 V	300 V	-	300 V
Rated current	16 A	-	10 A	10 A	-	10 A

Connection Data	
Connection technology	CAGE CLAMP®
Solid conductor	0.08 ... 2.5 mm ² / 28 ... 12 AWG
Fine-stranded conductor	0.08 ... 2.5 mm ² / 28 ... 12 AWG
Fine-stranded conductor; with insulated ferrule	0.25 ... 1.5 mm ²
Fine-stranded conductor; with uninsulated ferrule	0.25 ... 1.5 mm ²
Note (conductor cross-section)	12 AWG: THHN, THWN

Material Data	
Material group	I
Insulation material	Polyamide (PA66)
Flammability class per UL94	V0
Clamping spring material	Chrome nickel spring steel (CrNi)
Contact material	Electrolytic copper (E _{cu})
Contact plating	Tin-plated

Mechanical Data	
Solder pin arrangement	Within the terminal block (in-line)
Solder pin length	4 mm
Solder pin dimensions	1 x 0.8 mm
Drilled hole diameter with tolerance	1.4 ^(+0.1) mm

Environmental Requirements	
Limit temperature range	-60 ... +105 °C

Ferrule [Page 879](#)

Marking [Page 862](#)

Test and measurement [Page 886](#)

Tool [Page 870](#)

See technical section for further information

For approvals and corresponding ratings, visit www.wago.com

Stackable PCB terminal block ▶ 742 Series

Disconnect/test terminal block ▶ CAGE CLAMP® ▶ Actuation type: Operating tool ▶ 2.5 mm² ▶ Pin spacing: 5 mm / 0.197 inch ▶ Color: gray

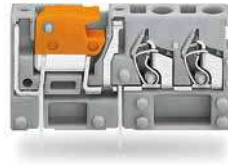
Conductor connection direction to PCB: 60° ▶ Number of connection points: 1 ▶ Strip length: 8 ... 9 mm / 0.31 ... 0.35 inch

Conductor connection direction to PCB: 90° ▶ Number of connection points: 2 ▶ Strip length: 6 ... 7 mm / 0.24 ... 0.28 inch

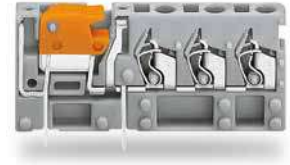
Conductor connection direction to PCB: 90° ▶ Number of connection points: 3 ▶ Strip length: 6 ... 7 mm / 0.24 ... 0.28 inch



742-101



742-151

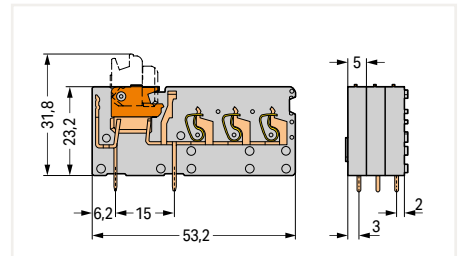
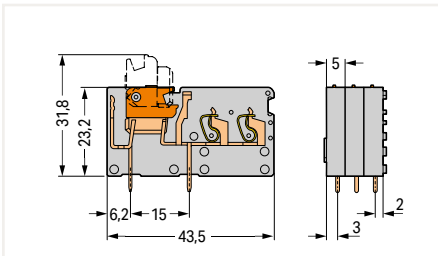
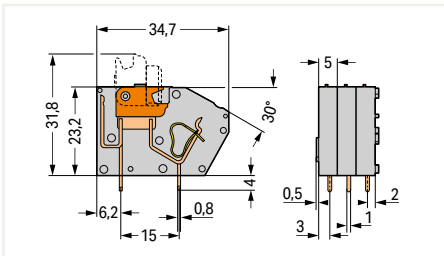


742-153

Color	Item No.	PU (SPU)
● gray	742-101	384 (96)

Color	Item No.	PU
● gray	742-151	200

Color	Item No.	PU
● gray	742-153	100



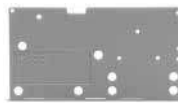
Item-Specific Accessories



End plate; Width: 1.5 mm; snap-on type

Color	Item No.	PU (SPU)
● gray	742-100	300 (100)

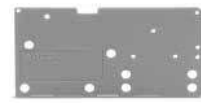
Item-Specific Accessories



End plate; Width: 1.5 mm; snap-on type

Color	Item No.	PU (SPU)
● gray	742-150	300 (100)

Item-Specific Accessories



End plate; Width: 1.5 mm; snap-on type

Color	Item No.	PU (SPU)
● gray	742-152	300 (100)

PU = Packaging Unit; SPU = Subpackaging Unit; Dimensions in mm

Stackable PCB terminal block ▶ 742 Series

Disconnect/test terminal block ▶ CAGE CLAMP® ▶ Actuation type: Operating tool ▶ 2.5 mm² ▶ Pin spacing: 5.08 mm / 0.2 inch ▶ Color: orange

1



- Modular PCB terminal blocks with screwdriver-actuated CAGE CLAMP® connection
- Power circuit disconnection via knife disconnect, e.g., for regular testing and measuring
- Test sockets on both sides of knife disconnect for 2.0 mm or 2.3 mm Ø test plugs
- 2- and 3-conductor PCB terminal blocks for distributing potentials independently of PCB
- Versions with removable knife disconnects available upon request

Electrical Data						
Pin spacing	5.08 mm / 0.2 inch			5.08 mm / 0.2 inch		
Number of connection points	1			2;3		
Ratings per	IEC/EN 60664-1			IEC/EN 60664-1		
Overvoltage category	III	III	II	III	III	II
Pollution degree	3	2	2	3	2	2
Rated voltage	320 V	320 V	630 V	320 V	320 V	630 V
Rated impulse voltage	4 kV	4 kV	4 kV	4 kV	4 kV	4 kV
Rated current	16 A	16 A	16 A	16 A	16 A	16 A
Approbations per	UL 1059			UL 1059		
Use group	B	C	D	B	C	D
Rated voltage	300 V	-	300 V	300 V	-	300 V
Rated current	10 A	-	10 A	10 A	-	10 A
Approbations per	CSA			CSA		
Use group	B	C	D	B	C	D
Rated voltage	300 V	-	300 V	300 V	-	300 V
Rated current	16 A	-	10 A	10 A	-	10 A
Connection Data						
Connection technology	CAGE CLAMP®					
Solid conductor	0.08 ... 2.5 mm ² / 28 ... 12 AWG					
Fine-stranded conductor	0.08 ... 2.5 mm ² / 28 ... 12 AWG					
Fine-stranded conductor; with insulated ferrule	0.25 ... 1.5 mm ²					
Fine-stranded conductor; with uninsulated ferrule	0.25 ... 1.5 mm ²					
Note (conductor cross-section)	12 AWG: THHN, THWN					
Material Data						
Material group	I					
Insulation material	Polyamide (PA66)					
Flammability class per UL94	V0					
Clamping spring material	Chrome nickel spring steel (CrNi)					
Contact material	Electrolytic copper (E _{cu})					
Contact plating	Tin-plated					
Mechanical Data						
Solder pin arrangement	Within the terminal block (in-line)					
Solder pin length	4 mm					
Solder pin dimensions	1 x 0.8 mm					
Drilled hole diameter with tolerance	1.4 ^(+0.1) mm					
Environmental Requirements						
Limit temperature range	-60 ... +105 °C					

Ferrule [Page 879](#)

Marking [Page 862](#)

Test and measurement [Page 886](#)

Tool [Page 870](#)

See technical section for further information

For approvals and corresponding ratings, visit www.wago.com

Stackable PCB terminal block ▶ 742 Series

Disconnect/test terminal block ▶ CAGE CLAMP® ▶ Actuation type: Operating tool ▶ 2.5 mm² ▶ Pin spacing: 5.08 mm / 0.2 inch ▶ Color: orange

Conductor connection direction to PCB: 60° ▶ Number of connection points: 1 ▶ Strip length: 8 ... 9 mm / 0.31 ... 0.35 inch

Conductor connection direction to PCB: 90° ▶ Number of connection points: 2 ▶ Strip length: 6 ... 7 mm / 0.24 ... 0.28 inch

Conductor connection direction to PCB: 90° ▶ Number of connection points: 3 ▶ Strip length: 6 ... 7 mm / 0.24 ... 0.28 inch

1



742-106



742-156

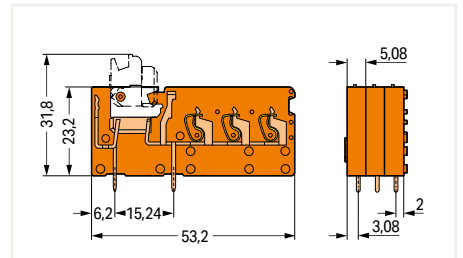
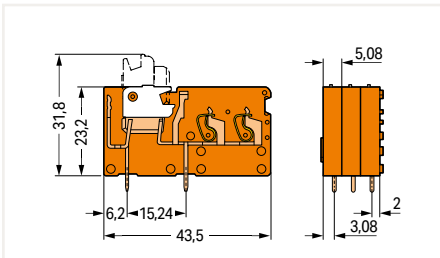
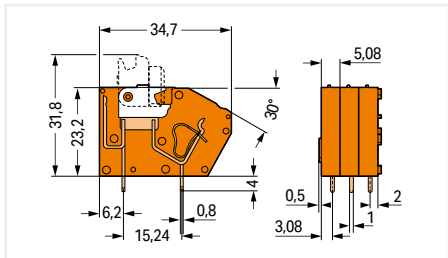


742-158

Color	Item No.	PU (SPU)
orange	742-106	384 (96)

Color	Item No.	PU
orange	742-156	200

Color	Item No.	PU
orange	742-158	100



Item-Specific Accessories



End plate; Width: 1.5 mm; snap-on type

Color	Item No.	PU (SPU)
orange	742-600	300 (100)

Item-Specific Accessories



End plate; Width: 1.5 mm; snap-on type

Color	Item No.	PU (SPU)
orange	742-650	300 (100)

Item-Specific Accessories



End plate; Width: 1.5 mm; snap-on type

Color	Item No.	PU (SPU)
orange	742-651	300 (100)

PU = Packaging Unit; SPU = Subpackaging Unit; Dimensions in mm

Stackable PCB terminal block ▶ 742 Series

Commoning option ▶ CAGE CLAMP® ▶ Actuation type: Operating tool ▶ 2.5 mm² ▶ Pin spacing: 5 mm / 0.197 inch

1



- Modular PCB terminal blocks with screwdriver-actuated CAGE CLAMP® connection
- Adjacent jumpers for multiplying and distributing potentials
- Disconnect and fuse PCB terminal blocks can be combined to form complex function assemblies
- Test socket for 2.0 mm and 2.3 mm Ø test plugs

Electrical Data						
Pin spacing	5 mm / 0.197 inch			5 mm / 0.197 inch		
Number of connection points	1			2		
Ratings per	IEC/EN 60664-1			IEC/EN 60664-1		
Overvoltage category	III	III	II	III	III	II
Pollution degree	3	2	2	3	2	2
Rated voltage	250 V	320 V	630 V	320 V	320 V	630 V
Rated impulse voltage	4 kV	4 kV	4 kV	4 kV	4 kV	4 kV
Rated current	16 A	16 A	16 A	16 A	16 A	16 A
Approbations per	UL 1059			UL 1059		
Use group	B	C	D	B	C	D
Rated voltage	300 V	-	300 V	300 V	-	300 V
Rated current	10 A	-	10 A	10 A	-	10 A
Approbations per	CSA			CSA		
Use group	B	C	D	B	C	D
Rated voltage	300 V	-	300 V	300 V	-	300 V
Rated current	16 A	-	10 A	10 A	-	10 A

Connection Data	
Connection technology	CAGE CLAMP®
Solid conductor	0.08 ... 2.5 mm ² / 28 ... 12 AWG
Fine-stranded conductor	0.08 ... 2.5 mm ² / 28 ... 12 AWG
Fine-stranded conductor; with insulated ferrule	0.25 ... 1.5 mm ²
Fine-stranded conductor; with uninsulated ferrule	0.25 ... 1.5 mm ²
Note (conductor cross-section)	12 AWG: THHN, THWN

Material Data	
Material group	I
Insulation material	Polyamide (PA66)
Flammability class per UL94	V0
Clamping spring material	Chrome nickel spring steel (CrNi)
Contact material	Electrolytic copper (E _{cu})
Contact plating	Tin-plated

Mechanical Data	
Solder pin arrangement	Within the terminal block (in-line)
Solder pin length	4 mm
Solder pin dimensions	1 x 0.8 mm
Drilled hole diameter with tolerance	1.4 ^(+0.1) mm

Environmental Requirements	
Limit temperature range	-60 ... +105 °C

Ferrule Page 879

Marking Page 862

Test and measurement Page 886

Tool Page 870

See technical section for further information

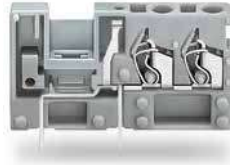
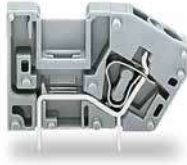
For approvals and corresponding ratings, visit www.wago.com

Stackable PCB terminal block ▶ 742 Series

Commoning option ▶ CAGE CLAMP® ▶ Actuation type: Operating tool ▶ 2.5 mm² ▶ Pin spacing: 5 mm / 0.197 inch

Conductor connection direction to PCB: 60° ▶ Number of connection points: 1 ▶ Strip length: 8 ... 9 mm / 0.31 ... 0.35 inch

Conductor connection direction to PCB: 90° ▶ Number of connection points: 2 ▶ Strip length: 6 ... 7 mm / 0.24 ... 0.28 inch

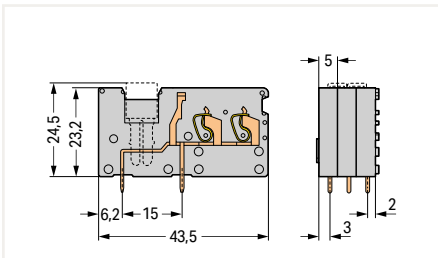
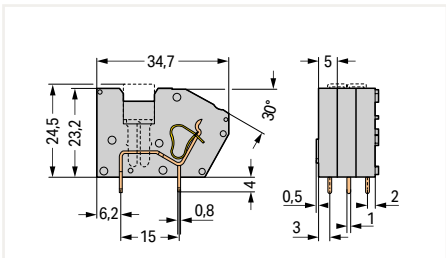


742-121

742-171

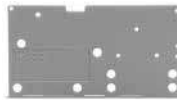
Color	Item No.	PU
gray	742-121	300
blue	742-124	300
green-yellow	742-128	300

Color	Item No.	PU
gray	742-171	200
blue	742-174	200
green-yellow	742-178	200



Item-Specific Accessories

Item-Specific Accessories



End plate; Width: 1.5 mm; snap-on type

Color	Item No.	PU (SPU)
gray	742-100	300 (100)
blue	742-400	300 (100)
green-yellow	742-800	300 (100)

End plate; Width: 1.5 mm; snap-on type

Color	Item No.	PU (SPU)
gray	742-150	300 (100)
blue	742-450	300 (100)
green-yellow	742-850	300 (100)

Accessories; for all products on this page



Adjacent jumper; Width: 5 mm; Rated current: 24 A

Color	Item No.	PU (SPU)
gray	280-402	200 (25)

PU = Packaging Unit; SPU = Subpackaging Unit; Dimensions in mm

Stackable PCB terminal block ▶ 742 Series

Commoning option ▶ CAGE CLAMP® ▶ Actuation type: Operating tool ▶ 2.5 mm² ▶ Pin spacing: 5.08 mm / 0.2 inch ▶ Color: orange

1



- Modular PCB terminal blocks with screwdriver-actuated CAGE CLAMP® connection
- Adjacent jumpers for multiplying and distributing potentials
- Disconnect and fuse PCB terminal blocks can be combined to form complex function assemblies
- Test socket for 2.0 mm and 2.3 mm Ø test plugs

Electrical Data						
Pin spacing	5.08 mm / 0.2 inch			5.08 mm / 0.2 inch		
Number of connection points	1			2		
Ratings per	IEC/EN 60664-1			IEC/EN 60664-1		
Overvoltage category	III	III	II	III	III	II
Pollution degree	3	2	2	3	2	2
Rated voltage	250 V	320 V	630 V	320 V	320 V	630 V
Rated impulse voltage	4 kV	4 kV	4 kV	4 kV	4 kV	4 kV
Rated current	16 A	16 A	16 A	16 A	16 A	16 A
Approbations per	UL 1059			UL 1059		
Use group	B	C	D	B	C	D
Rated voltage	300 V	-	300 V	300 V	-	300 V
Rated current	10 A	-	10 A	10 A	-	10 A
Approbations per	CSA			CSA		
Use group	B	C	D	B	C	D
Rated voltage	300 V	-	300 V	300 V	-	300 V
Rated current	16 A	-	10 A	10 A	-	10 A

Connection Data	
Connection technology	CAGE CLAMP®
Solid conductor	0.08 ... 2.5 mm ² / 28 ... 12 AWG
Fine-stranded conductor	0.08 ... 2.5 mm ² / 28 ... 12 AWG
Fine-stranded conductor; with insulated ferrule	0.25 ... 1.5 mm ²
Fine-stranded conductor; with uninsulated ferrule	0.25 ... 1.5 mm ²
Note (conductor cross-section)	12 AWG: THHN, THWN

Material Data	
Material group	I
Insulation material	Polyamide (PA66)
Flammability class per UL94	V0
Clamping spring material	Chrome nickel spring steel (CrNi)
Contact material	Electrolytic copper (E _{cu})
Contact plating	Tin-plated

Mechanical Data	
Solder pin arrangement	Within the terminal block (in-line)
Solder pin length	4 mm
Solder pin dimensions	1 x 0.8 mm
Drilled hole diameter with tolerance	1.4 ^(+0.1) mm

Environmental Requirements	
Limit temperature range	-60 ... +105 °C

Ferrule [Page 879](#)

Marking [Page 862](#)

Test and measurement [Page 886](#)

Tool [Page 870](#)

See technical section for further information

For approvals and corresponding ratings, visit www.wago.com

Stackable PCB terminal block ▶ 742 Series

Commoning option ▶ CAGE CLAMP® ▶ Actuation type: Operating tool ▶ 2.5 mm² ▶ Pin spacing: 5.08 mm / 0.2 inch ▶ Color: orange

Conductor connection direction to PCB: 60° ▶ Number of connection points: 1 ▶ Strip length: 8 ... 9 mm / 0.31 ... 0.35 inch

Conductor connection direction to PCB: 90° ▶ Number of connection points: 2 ▶ Strip length: 6 ... 7 mm / 0.24 ... 0.28 inch



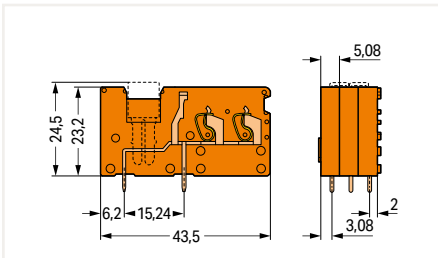
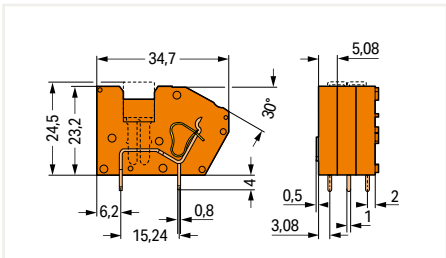
742-126



742-176

Color	Item No.	PU
orange	742-126	300

Color	Item No.	PU
orange	742-176	200



Item-Specific Accessories

Item-Specific Accessories



End plate; Width: 1.5 mm; snap-on type

Color	Item No.	PU (SPU)
orange	742-600	300 (100)

End plate; Width: 1.5 mm; snap-on type

Color	Item No.	PU (SPU)
orange	742-650	300 (100)

Accessories; for all products on this page



Adjacent jumper; Width: 5 mm; Rated current: 24 A

Color	Item No.	PU (SPU)
gray	280-402	200 (25)

PU = Packaging Unit; SPU = Subpackaging Unit; Dimensions in mm

Stackable PCB terminal block ▶ 742 Series

Fuse terminal block ▶ CAGE CLAMP® ▶ Actuation type: Operating tool ▶ 2.5 mm² ▶ Pin spacing: 5 mm / 0.197 inch ▶ Color: gray

1



- Modular PCB terminal blocks with screwdriver-actuated CAGE CLAMP® connection
- Quick, easy replacement of mini-automotive blade-style fuses in the event of a fault
- Test sockets on both sides of fuse for 2.0 mm or 2.3 mm Ø test plugs
- Observe protection against direct contact for voltages of 42 V and higher!
- 2- and 3-conductor PCB terminal blocks for distributing potentials independently of PCB

Electrical Data						
Pin spacing	5 mm / 0.197 inch			5 mm / 0.197 inch		
Number of connection points	1			2,3		
Individual arrangement						
Ratings per	IEC/EN 60664-1			IEC/EN 60664-1		
Overvoltage category	III	III	II	III	III	II
Pollution degree	3	2	2	3	2	2
Rated voltage	320 V	320 V	630 V	320 V	320 V	630 V
Rated impulse voltage	4 kV	4 kV	4 kV	4 kV	4 kV	4 kV
Rated current	15 A	15 A	15 A	15 A	15 A	15 A
Approbations per	UL 1059			UL 1059		
Use group	B	C	D	B	C	D
Rated voltage	300 V	-	300 V	300 V	-	300 V
Rated current	10 A	-	10 A	10 A	-	10 A
Approbations per	CSA			CSA		
Use group	B	C	D	B	C	D
Rated voltage	300 V	-	300 V	300 V	-	300 V
Rated current	16 A	-	10 A	10 A	-	10 A
Block arrangement						
Ratings per	IEC/EN 60664-1			IEC/EN 60664-1		
Overvoltage category	III	III	II	III	III	II
Pollution degree	3	2	2	3	2	2
Rated voltage	320 V	320 V	630 V	320 V	320 V	630 V
Rated impulse voltage	4 kV	4 kV	4 kV	4 kV	4 kV	4 kV
Rated current	10 A	10 A	10 A	10 A	10 A	10 A
Connection Data						
Connection technology	CAGE CLAMP®					
Solid conductor	0.08 ... 2.5 mm ² / 28 ... 12 AWG					
Fine-stranded conductor	0.08 ... 2.5 mm ² / 28 ... 12 AWG					
Fine-stranded conductor; with insulated ferrule	0.25 ... 1.5 mm ²					
Fine-stranded conductor; with uninsulated ferrule	0.25 ... 1.5 mm ²					
Note (conductor cross-section)	12 AWG: THHN, THWN					
Material Data						
Material group	I					
Insulation material	Polyamide (PA66)					
Flammability class per UL94	V0					
Clamping spring material	Chrome nickel spring steel (CrNi)					
Contact material	Electrolytic copper (E _{cu})					
Contact plating	Tin-plated					
Mechanical Data						
Solder pin arrangement	Within the terminal block (in-line)					
Solder pin length	4 mm					
Solder pin dimensions	1 x 0.8 mm					
Drilled hole diameter with tolerance	1.4 ^(+0.1) mm					
Environmental Requirements						
Limit temperature range	-60 ... +105 °C					

Ferrule	Page 879
Marking	Page 862
Test and measurement	Page 886
Tool	Page 870
See technical section for further information	
For approvals and corresponding ratings, visit www.wago.com	

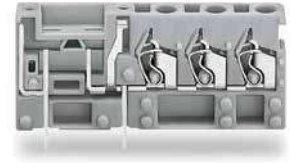
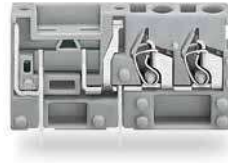
Stackable PCB terminal block ▶ 742 Series

Fuse terminal block ▶ CAGE CLAMP® ▶ Actuation type: Operating tool ▶ 2.5 mm² ▶ Pin spacing: 5 mm / 0.197 inch ▶ Color: gray

Conductor connection direction to PCB: 60° ▶ Number of connection points: 1 ▶ Strip length: 8 ... 9 mm / 0.31 ... 0.35 inch

Conductor connection direction to PCB: 90° ▶ Number of connection points: 2 ▶ Strip length: 6 ... 7 mm / 0.24 ... 0.28 inch

Conductor connection direction to PCB: 90° ▶ Number of connection points: 3 ▶ Strip length: 6 ... 7 mm / 0.24 ... 0.28 inch



742-111

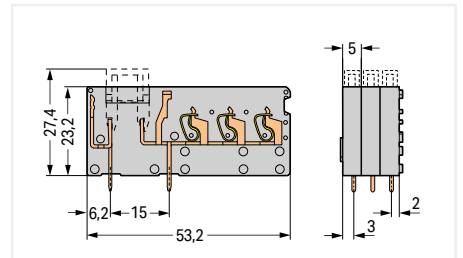
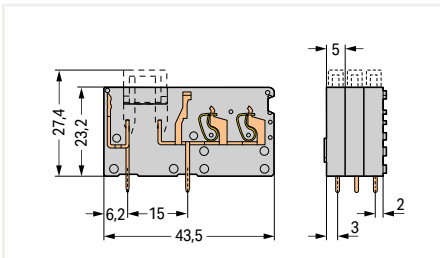
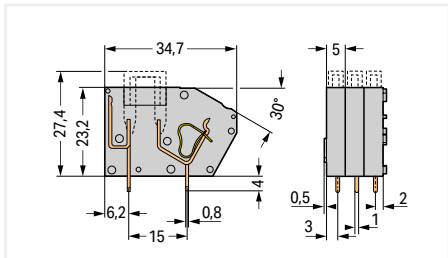
742-161

742-163

Color	Item No.	PU
● gray	742-111	300

Color	Item No.	PU
● gray	742-161	200

Color	Item No.	PU
● gray	742-163	100



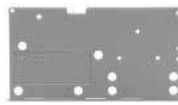
Item-Specific Accessories



End plate; Width: 1.5 mm; snap-on type

Color	Item No.	PU (SPU)
● gray	742-100	300 (100)

Item-Specific Accessories



End plate; Width: 1.5 mm; snap-on type

Color	Item No.	PU (SPU)
● gray	742-150	300 (100)

Item-Specific Accessories



End plate; Width: 1.5 mm; snap-on type

Color	Item No.	PU (SPU)
● gray	742-152	300 (100)

PU = Packaging Unit; SPU = Subpackaging Unit; Dimensions in mm

Stackable PCB terminal block ▶ 742 Series

Fuse terminal block ▶ CAGE CLAMP® ▶ Actuation type: Operating tool ▶ 2.5 mm² ▶ Pin spacing: 5.08 mm / 0.2 inch ▶ Color: orange

1



- Modular PCB terminal blocks with screwdriver-actuated CAGE CLAMP® connection
- Quick, easy replacement of mini-automotive blade-style fuses in the event of a fault
- Test sockets on both sides of fuse for 2.0 mm or 2.3 mm Ø test plugs
- Observe protection against direct contact for voltages of 42 V and higher!
- 2- and 3-conductor PCB terminal blocks for distributing potentials independently of PCB

Electrical Data						
Pin spacing	5.08 mm / 0.2 inch			5.08 mm / 0.2 inch		
Number of connection points	1			2,3		
Individual arrangement						
Ratings per	IEC/EN 60664-1			IEC/EN 60664-1		
Overvoltage category	III	III	II	III	III	II
Pollution degree	3	2	2	3	2	2
Rated voltage	320 V	320 V	630 V	320 V	320 V	630 V
Rated impulse voltage	4 kV	4 kV	4 kV	4 kV	4 kV	4 kV
Rated current	15 A	15 A	15 A	15 A	15 A	15 A
Approbations per	UL 1059			UL 1059		
Use group	B	C	D	B	C	D
Rated voltage	300 V	-	300 V	300 V	-	300 V
Rated current	10 A	-	10 A	10 A	-	10 A
Approbations per	CSA			CSA		
Use group	B	C	D	B	C	D
Rated voltage	300 V	-	300 V	300 V	-	300 V
Rated current	16 A	-	10 A	10 A	-	10 A
Block arrangement						
Ratings per	IEC/EN 60664-1			IEC/EN 60664-1		
Overvoltage category	III	III	II	III	III	II
Pollution degree	3	2	2	3	2	2
Rated voltage	320 V	320 V	630 V	320 V	320 V	630 V
Rated impulse voltage	4 kV	4 kV	4 kV	4 kV	4 kV	4 kV
Rated current	10 A	10 A	10 A	10 A	10 A	10 A
Connection Data						
Connection technology	CAGE CLAMP®					
Solid conductor	0.08 ... 2.5 mm ² / 28 ... 12 AWG					
Fine-stranded conductor	0.08 ... 2.5 mm ² / 28 ... 12 AWG					
Fine-stranded conductor; with insulated ferrule	0.25 ... 1.5 mm ²					
Fine-stranded conductor; with uninsulated ferrule	0.25 ... 1.5 mm ²					
Note (conductor cross-section)	12 AWG: THHN, THWN					
Material Data						
Material group	I					
Insulation material	Polyamide (PA66)					
Flammability class per UL94	V0					
Clamping spring material	Chrome nickel spring steel (CrNi)					
Contact material	Electrolytic copper (E _{cu})					
Contact plating	Tin-plated					
Mechanical Data						
Solder pin arrangement	Within the terminal block (in-line)					
Solder pin length	4 mm					
Solder pin dimensions	1 x 0.8 mm					
Drilled hole diameter with tolerance	1.4 ^(+0.1) mm					
Environmental Requirements						
Limit temperature range	-60 ... +105 °C					

Ferrule	Page 879
Marking	Page 862
Test and measurement	Page 886
Tool	Page 870
See technical section for further information	
For approvals and corresponding ratings, visit www.wago.com	

Stackable PCB terminal block ▶ 742 Series

Fuse terminal block ▶ CAGE CLAMP® ▶ Actuation type: Operating tool ▶ 2.5 mm² ▶ Pin spacing: 5.08 mm / 0.2 inch ▶ Color: orange

Conductor connection direction to PCB: 60° ▶ Number of connection points: 1 ▶ Strip length: 8 ... 9 mm / 0.31 ... 0.35 inch

Conductor connection direction to PCB: 90° ▶ Number of connection points: 2 ▶ Strip length: 6 ... 7 mm / 0.24 ... 0.28 inch

Conductor connection direction to PCB: 90° ▶ Number of connection points: 3 ▶ Strip length: 6 ... 7 mm / 0.24 ... 0.28 inch



742-116



742-166

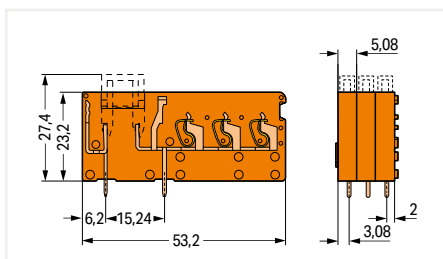
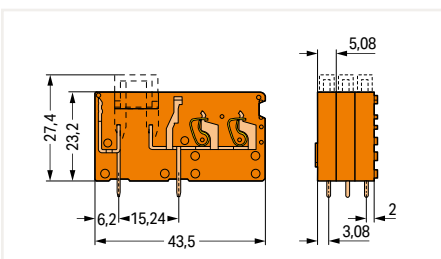
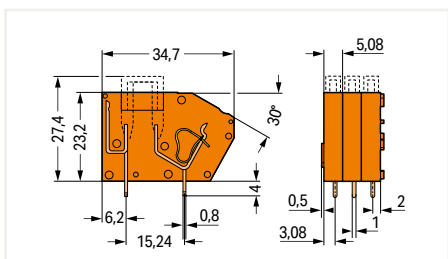


742-168

Color	Item No.	PU
orange	742-116	300

Color	Item No.	PU
orange	742-166	200

Color	Item No.	PU
orange	742-168	100



Item-Specific Accessories



End plate; Width: 1.5 mm; snap-on type

Color	Item No.	PU (SPU)
orange	742-600	300 (100)

Item-Specific Accessories



End plate; Width: 1.5 mm; snap-on type

Color	Item No.	PU (SPU)
orange	742-650	300 (100)

Item-Specific Accessories



End plate; Width: 1.5 mm; snap-on type

Color	Item No.	PU (SPU)
orange	742-651	300 (100)

PU = Packaging Unit; SPU = Subpackaging Unit; Dimensions in mm

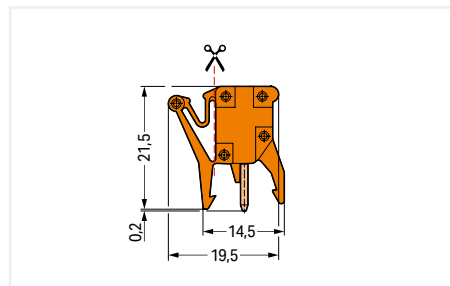
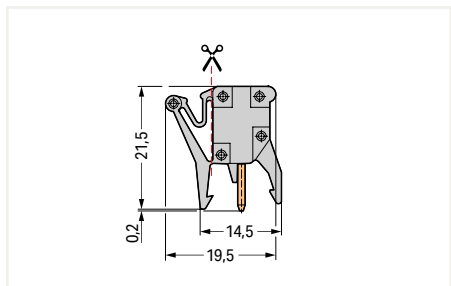
Test Plug Adapters for 255, 256 and 257 Series PCB Terminal Blocks

1



Test plug adapter; 1-pole; with socket for 2 mm and 2.3 mm Ø test plugs; modular; gray		
Pin spacing	Item No.	PU (SPU)
5 mm / 0.197 inch	249-110	100 (25)
7.5 mm / 0.295 inch	249-112	100 (25)
10 mm / 0.394 inch	249-114	100 (25)

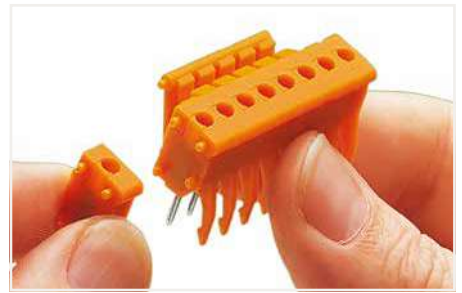
Test plug adapter; 1-pole; with socket for 2 mm and 2.3 mm Ø test plugs; modular; orange		
Pin spacing	Item No.	PU (SPU)
5.08 mm / 0.2 inch	249-111	100 (25)
7.62 mm / 0.3 inch	249-113	100 (25)
10.16 mm / 0.4 inch	249-115	100 (25)



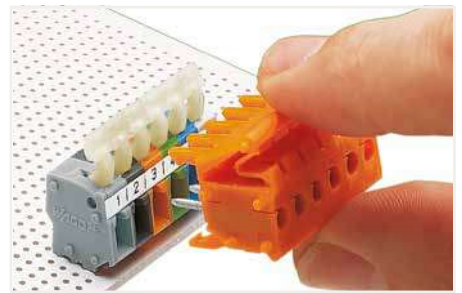
Cutting mark for separating the retaining clip and its snap-in mounting foot

Cutting mark for separating the retaining clip and its snap-in mounting foot

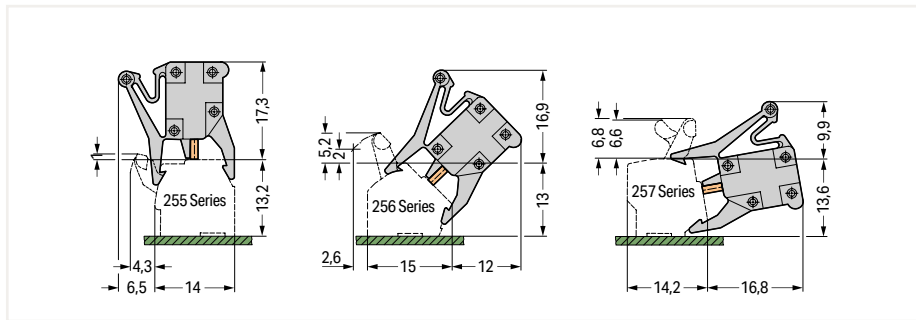
Electrical Data			
	Pin Spacing: 5/5.08 mm (0.197/0.2 inch)	Pin Spacing: 7.5/7.62 mm (0.295/0.3 inch)	Pin Spacing: 10/10.16 mm (0.394/0.4 inch)
Ratings per	IEC/EN 60664-1	IEC/EN 60664-1	IEC/EN 60664-1
Overvoltage category	III	III	III
Pollution degree	2	2	2
Rated voltage	320 V	320 V	320 V
Rated impulse voltage	4 kV	4 kV	4 kV



Assembling a multipole test plug adapter.



Inserting a 6-pole test plug adapter into a terminal strip.



Testing a wired PCB terminal strip.

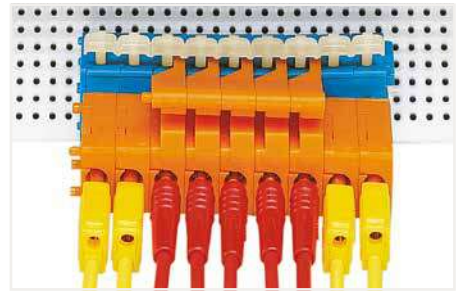
Adapters with snap-in mounting foot cut off assembled on both ends (7 to 9 poles)

Adapters with snap-in mounting foot cut off in center position (10 to 15 poles)

For lengths longer than 7 poles, the snap-in mounting foot with retaining clip should be cut off (see example below).

Adapters A: Snap-in mounting foot with retaining clip cut off

Adapters B: Standard version



9-pole test plug adapter with cut-off snap-in mounting feet and retaining clips on both ends

PU = Packaging Unit; SPU = Subpackaging Unit; Dimensions in mm

Comb-Style Jumper Bars for 745, 2706 and 2716 Series PCB Terminal Blocks



5 mm (0.197 inch) pin spacing; for 745 Series – 4 mm²

Jumper Type	Item No.	PU (SPU)
1 to 3	745-181	250 (50)
2-way	745-182	250 (50)
3-way	745-183	250 (50)
4-way	745-184	200 (50)
5-way	745-185	200 (50)
10-way	745-180	200 (50)

7.5 mm (0.295 inch) pin spacing; for 745 Series – 6 mm² and 2706 Series

Jumper Type	Item No.	PU (SPU)
1 to 3	745-381	250 (50)
2-way	745-382	250 (50)
3-way	745-383	250 (50)
4-way	745-384	200 (50)
5-way	745-385	200 (50)
10-way	745-380	200 (50)

10 mm (0.394 inch) pin spacing; for 745 Series – 16 mm² and 2716 Series

Jumper Type	Item No.	PU (SPU)
1 to 3	745-581	400 (50)
2-way	745-582	400 (50)
3-way	745-583	300 (50)
4-way	745-584	200 (50)
5-way	745-585	200 (50)

7.5 mm (0.295 inch) pin spacing; for 745 Series – 4 mm²

Jumper Type	Item No.	PU (SPU)
1 to 3	745-191	250 (50)
2-way	745-192	250 (50)
3-way	745-193	250 (50)
4-way	745-194	200 (50)
5-way	745-195	200 (50)
10-way	745-190	200 (50)

10 mm (0.394 inch) pin spacing; for 745 Series – 6 mm² and 2706 Series

Jumper Type	Item No.	PU (SPU)
1 to 3	745-391	250 (50)
2-way	745-392	250 (50)
3-way	745-393	250 (50)
4-way	745-394	200 (50)
5-way	745-395	200 (50)
10-way	745-390	200 (50)

15 mm (0.591 inch) pin spacing; for 745 Series – 16 mm² and 2716 Series

Jumper Type	Item No.	PU (SPU)
1 to 3	745-631	200 (50)
2-way	745-632	200 (50)
3-way	745-633	200 (50)
4-way	745-634	200 (50)
5-way	745-635	200 (50)

10 mm (0.394 inch) pin spacing; for 745 Series – 4 mm²

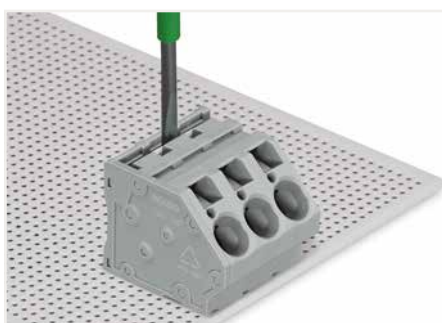
Jumper Type	Item No.	PU (SPU)
1 to 3	745-281	250 (50)
2-way	745-282	250 (50)
3-way	745-283	250 (50)
4-way	745-284	200 (50)
5-way	745-285	200 (50)
10-way	745-280	150 (50)

20 mm (0.787 inch) pin spacing; for 745 Series – 16 mm² and 2716 Series

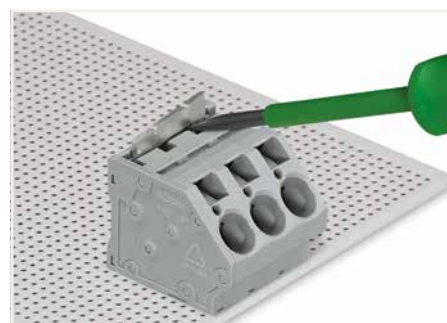
Jumper Type	Item No.	PU (SPU)
1 to 3	745-681	300 (50)
2-way	745-682	400 (50)
3-way	745-683	200 (50)
4-way	745-684	200 (50)
5-way	745-685	200 (50)



Inserting a comb-style jumper bar.



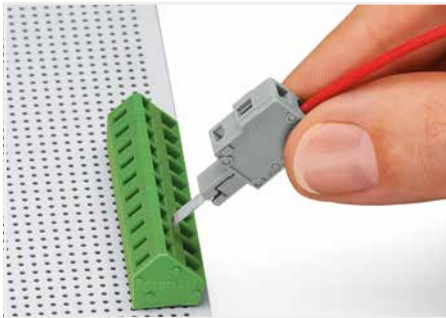
Push jumper bar down firmly using a screwdriver until it hits the backstop – 745 Series.



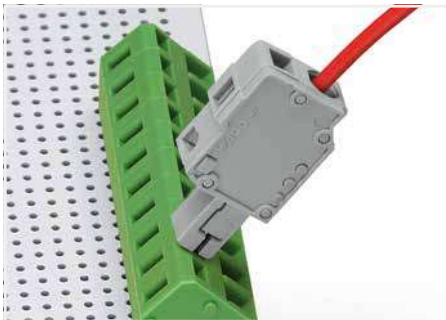
To remove the jumper bar, lift it up using a screwdriver – 745 Series.

Test Plug Modules; A-Type Contact; for 236, 736, 737 and 738 Series PCB Terminal Blocks (Testing unwired terminal blocks)

1



Inserting a test plug module into the operating slot.



Unwired terminal strip with inserted test plug module



Contact type A:
Testing only when unwired.

Test plug module; with 10 mm contact lug; for 236 Series; snaps together; gray

Pin spacing	Item No.	PU (SPU)
5 mm / 0.197 inch	231-127	100
7.5 mm / 0.295 inch	231-161	100

Test plug module; with 10 mm contact lug; for 236 Series; snaps together; orange

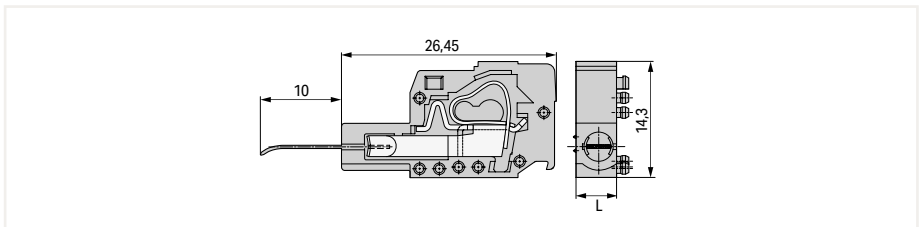
Pin spacing	Item No.	PU (SPU)
5.08 mm / 0.2 inch	231-128	100
7.62 mm / 0.3 inch	231-125	100

Test plug module; with 17 mm contact lug; for 280, 736, 737, 738 and 780 Series; snaps together; gray

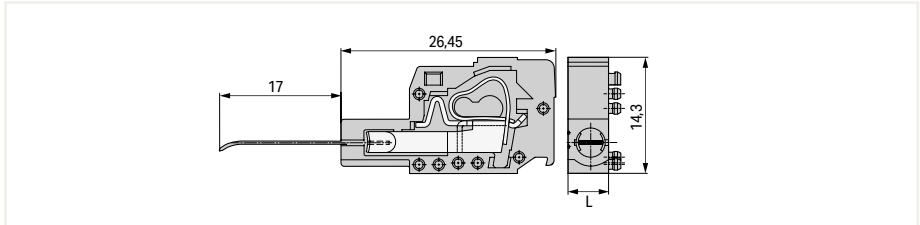
Pin spacing	Item No.	PU (SPU)
5 mm / 0.197 inch	231-126	100

Test plug module; with 17 mm contact lug; for 280, 736, 737, 738 and 780 Series; snaps together; orange

Pin spacing	Item No.	PU (SPU)
5.08 mm / 0.2 inch	231-426	100



L = Pin spacing



L = Pin spacing

Electrical Data	
Ratings per	IEC/EN 60664-1
Overvoltage category	III
Pollution degree	2
Rated voltage (III/2)	250 V*
Rated surge voltage (III / 2)	2,5 kV
Rated current	0,5 A

End plate	
Connection technology	CAGE CLAMP*
Strip length	12 ... 13 mm / 0.47 ... 0.51 inch
Solid conductor	0,08 ... 2,5 mm ² / 28 ... 12 AWG
Fine-stranded conductor	0,08 ... 2,5 mm ² / 28 ... 12 AWG

Accessories; for all products on this page



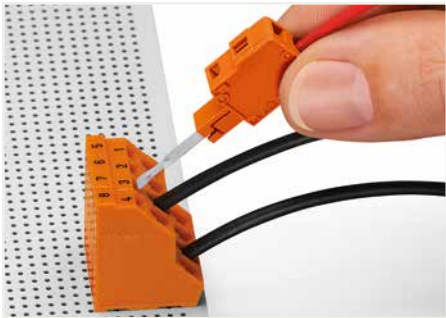
End plate		
Color	Item No.	PU (SPU)
○ gray	231-100	200

End plate		
Color	Item No.	PU (SPU)
● orange	231-300	200

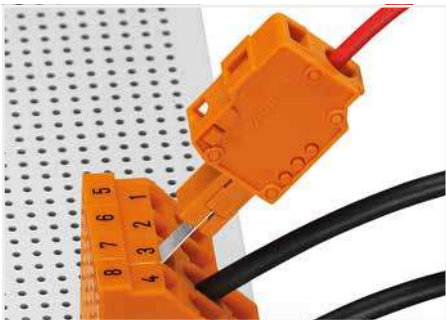
* (III / 2) ≙ Overvoltage category III / Pollution degree 2

PU = Packaging Unit; SPU = Subpackaging Unit; Dimensions in mm

Test Plug Modules; B-Type Contact, for 736, 737 and 738 Series PCB Terminal Blocks (Testing wired terminal blocks with 0.75 ... 1.5 mm² "f-st" or 0.5 mm² "sol." conductors)



Inserting a test plug module into the operating slot.



Wired terminal strip with inserted test plug module



Contact type B:
Testing only when wired –
0.75 ... 1.5 mm² "f-st" or 0.5 mm² "sol."

Test plug module, with 18 mm contact lug, for 280, 736, 737, 738 and 780 Series, snaps together, gray

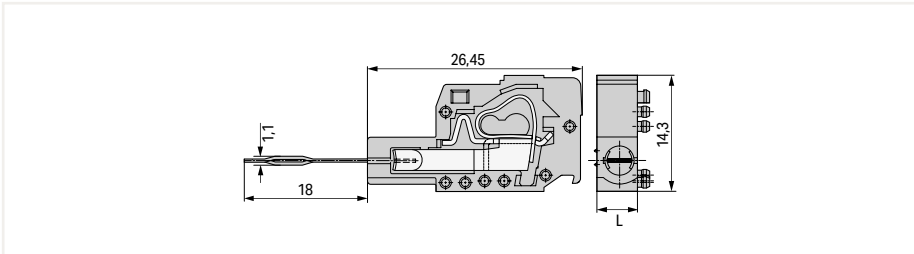
Pin spacing	Item No.	PU (SPU)
5 mm / 0.197 inch	231-155	100

Prüfsteckermodul; mit Kontaktzunge 18 mm; für Serien 736 und 737; anreihbar, grau

Pin spacing	Item No.	PU (SPU)
7.5 mm / 0.295 inch	231-456	100

Test plug module, with 18 mm contact lug, for 736, 737 and 738 Series, snaps together, orange

Pin spacing	Item No.	PU (SPU)
5.08 mm / 0.2 inch	231-455	100



L = Pin spacing

Electrical Data

Ratings per		IEC/EN 60664-1
Overvoltage category		III
Pollution degree		2
Rated voltage (III/2)		250 V*
Rated surge voltage (III / 2)		2,5 kV
Rated current		0,5 A

Connection Data

Connection technology	CAGE CLAMP*
Strip length	12 ... 13 mm / 0.47 ... 0.51 inch
Solid conductor	0.08 ... 2.5 mm ² / 28 ... 12 AWG
Fine-stranded conductor	0.08 ... 2.5 mm ² / 28 ... 12 AWG

Accessories; for all products on this page



End plate		
Color	Item No.	PU (SPU)
○ gray	231-100	200

End plate		
Color	Item No.	PU (SPU)
● orange	231-300	200

* (III / 2) ≙ Overvoltage category III / Pollution degree 2

PU = Packaging Unit; SPU = Subpackaging Unit; Dimensions in mm

Commoning Strips for PCB Terminal Strips 236, 255, 256, 257, 736, 737 and 738 Series

1

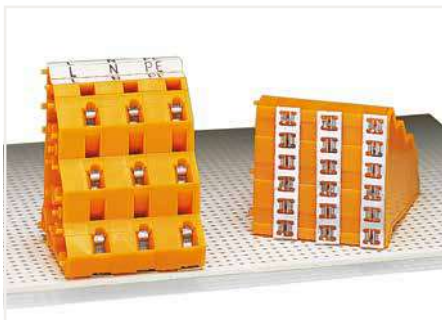


Horizontal commoning:

Connect adjacent potentials, e.g., as:

- "-" strip in connection modules for actuators with higher switching power
- Ground commoning strip for applications where the ground conductor shall not be looped over PCB tracks (max. short-time withstand current: 70 A/mm² for one second – observe the normative requirements of the end application!)

Note: Interruption of horizontal commoning reduces spacing to the adjacent solder pins.



Vertical commoning (only for 736 and 737 Series

starting from 7.5 mm/0.295 inch pin spacing):

Connect the (in-line) solder pins of a PCB terminal block to one potential, e.g., as:

- 3-conductor supply and distribution PCB terminal block (up to 10 A)
- Intelligent circuit modifications without changing the track layout are also possible.

WAGO's commoning strips allow PCB terminal strips to be commoned to suit customer requirements. Due to the many combination possibilities, the commoning strips can only be fitted onto the solder pins at the factory. Please refer to the order form on pages 1.70 and 1.71.

Furthermore, these commoning strips allow terminal blocks of a same potential to be created.

Commoning strips are available for the following pin spacing:

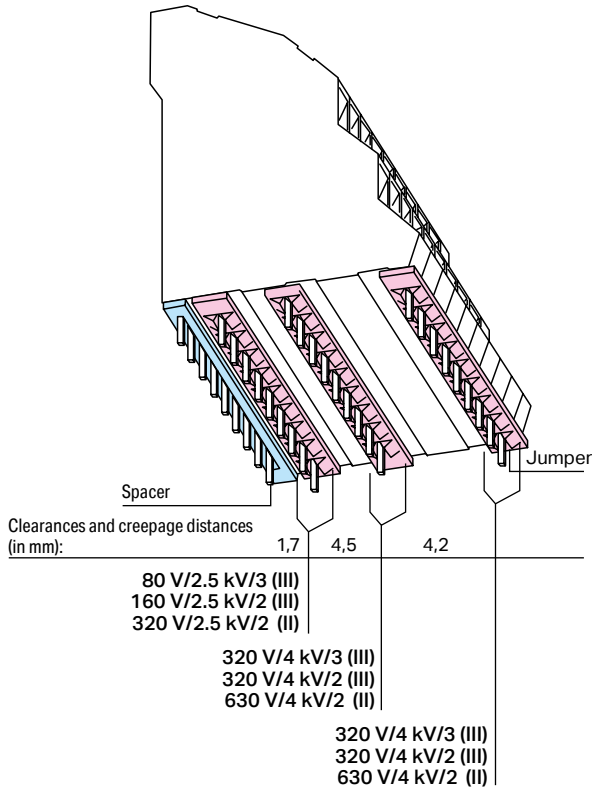
- 5 mm, 5.08 mm (up to 20 poles)
- 7.5 mm, 7.62 mm (up to 16 poles)
- 10 mm, 10.16 mm (up to 12 poles)

A spacer provides height compensation for the solder pins that are not commoned.

Technical Information on "Commoned PCB Terminal Strips"

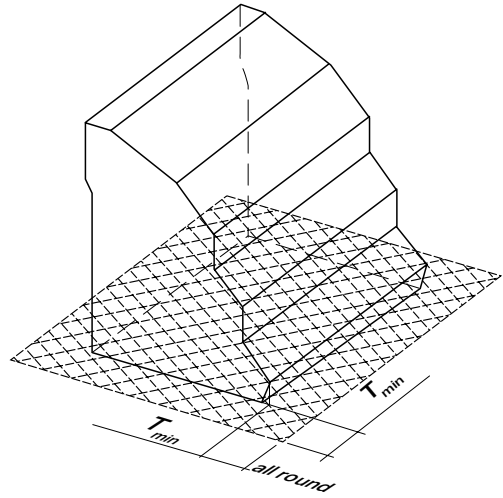
Use of commoning strips must account for both the specific conditions of the planned application, as well as relevant standards for the normal operating conditions in which operational failures (can) occur.

Horizontal commoning (236, 255, 256, 257, 736, 737, 738 Series)



- Pin spacing combination is only possible with 5 mm, 5.08 mm, 10 mm and 10.16 mm.
- In-line or staggered arrangement of solder pins (736, 737, 738 Series).
- 236 Series: Versions with only one solder pin cannot be commoned.
- In case of different potentials within one level, ensure that at least one interim terminal block must remain uncommoned in order to maintain the necessary creepage distances and clearances (see also the ordering example).

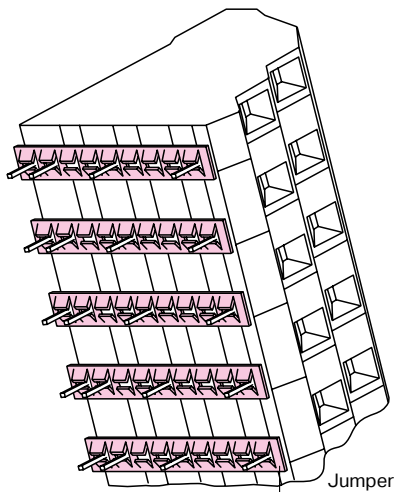
Distances to adjacent potentials



Recommendation: $T_{min} = 5 \text{ mm}$

Please note that the distance between the commoning strips and adjacent potentials must comply with requirements for the end application as specified in the relevant standard.

Vertical commoning (only possible with 736/737 Series Multilevel PCB Terminal Blocks)



Pin spacing:	Creepage distance (in mm):	Clearance (in mm):	Voltage:
7.5 mm, 7.62 mm	1,7	1,7	80 V/2.5 kV/3 (III)
	1,7	1,7	160 V/2.5 kV/2 (III)
			320 V/2.5 kV/2 (II)
10 mm, 10.16 mm	4,2	4,2	320 V/4 kV/3 (III)
	4,2	4,2	320 V/4 kV/2 (III)
			630 V/4 kV/2 (II)

- Not possible with 5 mm and 5.08 mm pin spacing
- Solder pins always arranged in line

Order Form "Commoned PCB Terminal Strips"

236, 255, 256, 257, 736
737, 738 Series

Company:

Drawing No.:

WAGO Item No.:

Change	5			
	4			
	3			
	2			
	1			
Original	Change Note	Date	Name	

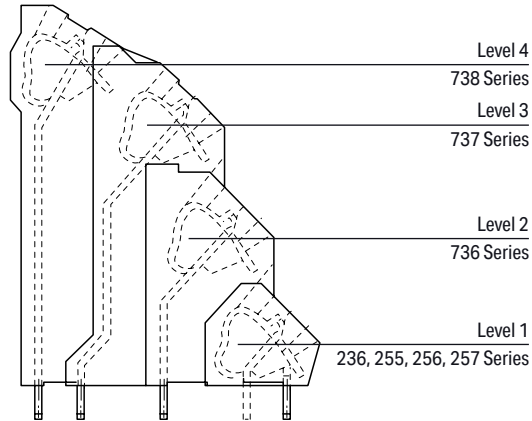
Page of

Release Note:

Ordering example: Horizontal commoning



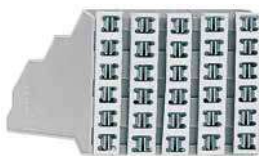
Terminal strip design



hier: Bei Klemmenleisten mit gemischten Rastermaßen ist für jede Einzelklemme

Änderungsstand Pos.	Bestellnr.	Rastermaß (mm)	Brückungsbild				Beschriftung
			Stockwerk				
Abschlussplatte: bei Serie 736, 737, 738			Längsbrückung <input type="checkbox"/>	Querbrückung <input checked="" type="checkbox"/>	Klemmenkennzeichnung in Leserichtung		
1	737-312	5					
2							
3							
4							
5							
6							
7							
8							
9							
10							
11							
12							
13							
14							
15							
16							
17							

Ordering example: Vertical commoning



hier: Bei Klemmenleisten mit gemischten Rastermaßen ist für jede Einzelklemme

Änderungsstand Pos.	Bestellnr.	Rastermaß (mm)	Brückungsbild				Beschriftung
			Stockwerk				
Abschlussplatte: bei Serie 736, 737, 738			Längsbrückung <input checked="" type="checkbox"/>	Querbrückung <input type="checkbox"/>	Klemmenkennzeichnung in Leserichtung		
1	737-504	7,5					
2							
3							
4							
5							
6							
7							
8							
9							
10							
11							
12							
13							
14							
15							
16							
17							

Spacers are always installed at the factory. For mixed-pin-spacing terminal strips, enter the pin spacing, not the item number of each individual terminal block.

Item Changed	Item Position	Item No.	Pin Spacing (mm)	Commoning				Marking					
				B = Jumper				Level					
				4	3	2	1	4	3	2	1		
End plate: for 736, 737, 738 Series				Vertical commoning <input type="checkbox"/>				Terminal block marking in read direction <input type="checkbox"/>					
1													
2													
3													
4													
5													
6													
7													
8													
9													
10													
11													
12													
13													
14													
15													
16													
17													
18													
19													
20													
21													
22													
23													
24													
25													
26													
27													
28													
29													
30													
31													
32													
33													

End plate: for 236, 255, 256, 257 Series