

# ACCESSORIES

## SAFETY

### MIRROR & DEVICE COLUMNS

### MISCELLANEOUS

#### KEY ADVANTAGES

##### MIRROR & DEVICE COLUMNS

- ✓ Multiple or single mirrors available
- ✓ Different heights available

##### MISCELLANEOUS

###### Relay

- ✓ Performance Level (PL) e and category 4 according to EN/ISO 13849-1
- ✓ Manual or automatic restart
- ✓ Short response time

###### Mounting Brackets

###### Top/bottom mounting brackets

- ✓ Synthetic mounting brackets
- ✓ Pair of brackets supplied with each bracket

###### Side/end mounting brackets

- ✓ Metal mounting brackets

###### Safety Filter

- ✓ Integrated RC filter for counter signal cut
- ✓ Possibility to connect sender and receiver unit on same connector

###### Laser alignment tool

- ✓ Easily clippable onto Safetinex YBB and YCA devices
- ✓ Range: up to 50 m



#### PRODUCT OVERVIEW

	Mirror and Device Columns	Relay	Mounting brackets	Safety filter	Laser alignment tool
Compatible with:					
	All light curtains	All light curtains and safety sensors	Extended Slim light curtains	All light curtains	All standard basic light curtains



# SAFETY ACCESSORIES DEVICE AND MIRROR COLUMNS

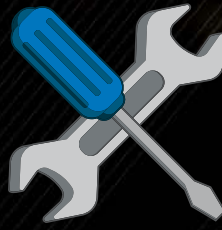
## OUTPUT

Column height  
in mm

YXC-[xxxx]-[xxx]

Column type  
[F00] Device (protection) column  
[M11] Single mirror column  
[M23] 3 mirror column  
[M24] 4 mirror column

Reference key on page 259



## SAFETY ACCESSORIES DEVICE AND MIRROR COLUMNS

## ACCESSORIES



**Relay**  
See page 256



**Top/bottom mounting bracket**  
For YBB & YCA  
See page 256



**Sliding T-nuts for side mounting**  
See page 256



**Mounting bracket No. 5**  
For YBBS & YBES  
See page 256



**Mounting bracket No. 6**  
For YBBS & YBES  
See page 256



**Mounting bracket No. 7**  
For YBBS & YBES  
See page 256



**Safety filter**  
See page 257

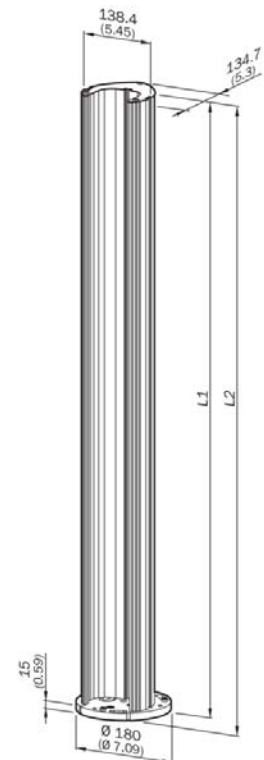


**Laser alignment tool**  
See page 257

Go to page 298 for details

FAMILY	COLUMN TYPE	PART REFERENCE
DEVICE AND MIRROR COLUMNS	Protective	YXC-0985-F00
	Protective	YXC-1285-F00
	Protective	YXC-1740-F00
	Protective	YXC-2040-F00
	Single mirror	YXC-1280-M11
	Single mirror	YXC-1715-M11
	Single mirror	YXC-2015-M11
	Single mirror	YXC-2215-M11
	Multiple mirror	YXC-1185-M23
	Multiple mirror	YXC-1285-M24

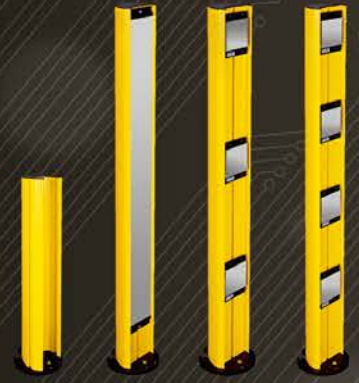
## PROTECTIVE COLUMN





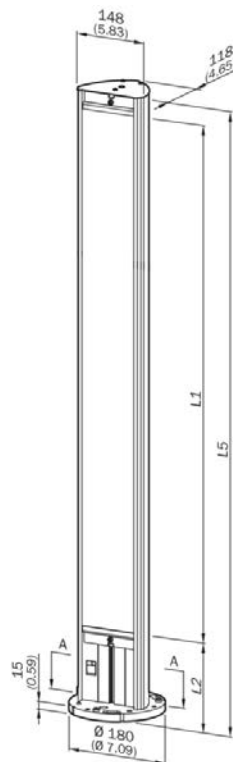
**KEY ADVANTAGES**

- ✓ Robust protective profile, attractive design
- ✓ Special spring elements automatically reset position in case of mechanical impact
- ✓ Complete assembly kit for both device and floor mounting included
- ✓ Easy to mount: vertical and axial adjustments can be quickly completed in just a few steps
- ✓ Single mirror or exchangeable and separately adjustable individual mirrors in accordance with EN 999

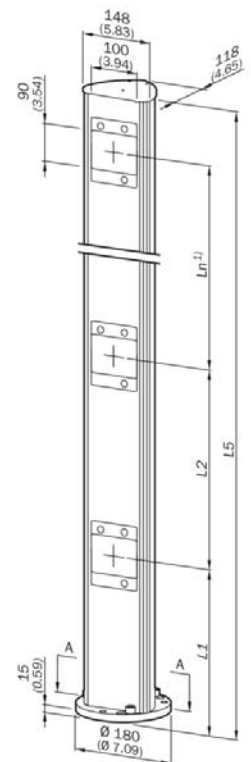


	LENGTH L1 (mm)	LENGTH L2 (mm)	LENGTH L3 (mm)	LENGTH L4 (mm)	LENGTH L5 (mm)
	965	985	-	-	-
	1,265	1,285	-	-	-
	1,720	1,740	-	-	-
	2,020	2,040	-	-	-
	1,082	-	-	-	1,281
	1,532	-	-	-	1,716
	1,682	-	-	-	2,016
	1,832	-	-	-	2,216
	300	400	400	-	1,185
	300	300	300	300	1,285

**SINGLE MIRROR  
COLUMN**



**MULTIPLE MIRROR  
COLUMN**



## RELAY



**YRB-4EML-31S**

TYPE	TYPICAL RESPONSE TIME	NUMBER OF CONTACTS	MAX. SWITCHING VOLTAGE	COMPATIBLE WITH	PART REFERENCE
SIL 3, PL e Cat 4	25 ms (manual start) / 100 ms (automatic start)	3 × NO / 1 × NC	250 V AC/DC	Light curtains and sensors	YRB-4EML-31S

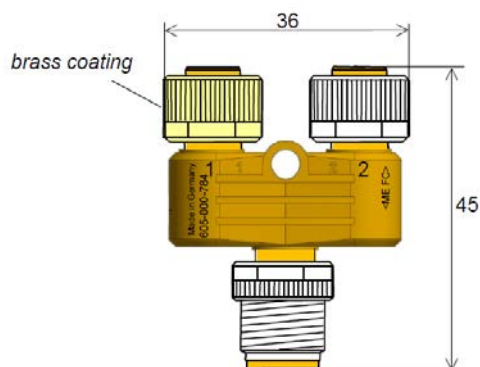
## MOUNTING BRACKETS



DESCRIPTION	MATERIAL	COMPATIBLE WITH	PART REFERENCE
Top/bottom mounting bracket	Plastic	YBB and YCA series	YXW-0001-000
Sliding T-Nut for side mounting	Metal	YBB and YCA series	YXW-0003-000
Top/bottom mounting brackets	Plastic	YBES and YBBS series	YXW-0005-000
Side/end mounting brackets	Metal	YBES and YBBS series	YXW-0006-000
Side/end mounting brackets	Metal	YBES and YBBS series	YXW-0007-000



## T-CONNECTOR SAFETY FILTER



CONNECTOR A SIDE	PINS	RC FILTER	CONNECTION B SIDE	PART REFERENCE
M12  M12	5 pins	✓	M12	YXF-0002-000

## LASER ALIGNMENT TOOL



RANGE	LASER BEAM SPOT SIZE	LASER CLASS	POWER SUPPLY	COMPATIBLE WITH	PART REFERENCE
≤ 50 m	< 10 mm	1 mV (class 2)	AA batteries	YBB and YCA series	YXL-0001-000

# SAFETY REFERENCE KEY

## LIGHT CURTAINS AND SAFETY SENSORS

### YBB-30S4-0800-G012

#### SAFETY PRODUCT Y

#### PRODUCT TYPE

Basic standard barrier (light curtain)	<b>BB</b>
Access control barrier (light curtain)	<b>CA</b>
Basic slim barrier	<b>BBS</b>
Extended slim barrier	<b>BES</b>
Magnetic sensor	<b>SM</b>
RFID sensor	<b>SR</b>

#### ADDITIONAL INFORMATION

<b>Resolution (YBB)</b>	
14 mm (finger)	<b>14</b>
30 mm (hand)	<b>30</b>
<b>Operating distance (YCA)</b>	
50 m	<b>50</b>
<b>Hole spacing (YSM, YSR)</b>	
22 mm	<b>22</b>
78 mm	<b>78</b>

#### MODULE

Receiver	<b>R</b>
Sender	<b>S</b>
Kit (sender + receiver)	<b>K</b>
Reed sensor	<b>R</b>
Read/write RFID sensor	<b>L</b>
Actuator	<b>A</b>

#### CONNECTION TYPE

Cable, 5 m, PVC	<b>C050</b>
M12 connector, 5 pins	<b>G012</b>
M12 Pigtail, 0.3 m, 5 or 8 pins	<b>P012</b>

#### ADDITIONAL INFORMATION

<b>Light curtain</b>	
Protective height rounded in mm	<b>###</b>
<b>Coding (safety sensor)</b>	
Random RFID	<b>R###</b>
Teachable RFID	<b>T###</b>
Magnetic	<b>T###</b>
<b>Distance (safety sensor)</b>	
Standard	<b>#S##</b>
Extended	<b>#E##</b>
<b>Actuation (safety sensor)</b>	
Frontal	<b>##F#</b>
90°	<b>##A#</b>
All sides	<b>##S#</b>
<b>Options (safety sensor)</b>	
No option	<b>N</b>
Restart button	<b>R</b>
EDM	<b>E</b>
with LED	<b>L</b>

#### CATEGORY

Category 2	<b>2</b>
Category 4	<b>4</b>



SAFETY ACCESSORIES

# YRB-4EML-241

**SAFETY PRODUCT** Y

**PRODUCT TYPE**

Basic relay	<b>RB</b>
Light curtain column	<b>XC</b>
Laser alignment tool	<b>XL</b>
Mounting brackets	<b>XW</b>
Filter	<b>XF</b>
Spacer	<b>XS</b>

**ADDITIONAL INFORMATION**

<b>Relay (YRB)</b>	
Standard functions, 3 NO, 1 NC contacts	<b>4EML</b>
Muting functions, 3 NO contacts	<b>0330</b>
<b>Column (YXC)</b>	
Column height in mm (e.g. 1,060 mm)	<b>1060</b>
<b>Laser alignment tool (YXL)</b>	
Standard <1 mW (class 2)	<b>0001</b>
<b>Filter (YXF)</b>	
Standard filter	<b>0001</b>
<b>Spacer (YXS)</b>	
For YSM-22 series	<b>2200</b>
For YSM-78 series	<b>7800</b>
<b>Mounting brackets (YXW)</b>	
Top/bottom brackets (YBB/YCA)	<b>0001</b>
Sliding T-nuts (YBB/YCA)	<b>0003</b>
Top/bottom brackets (YBBS/YBES)	<b>0005</b>
Side brackets (YBBS/YBES)	<b>0006</b>
Side/end brackets (YBBS/YBES)	<b>0006</b>

**MIRROR / DEVICE COLUMN**

Device (protection) column	<b>F00</b>
Single mirror column	<b>M11</b>
3 mirror column	<b>M23</b>
4 mirror column	<b>M24</b>

**STANDARD ACCESSORIES** 000

**RELAY**

2 channels, type 4, width 22.5 mm	<b>31S</b>
2 channels, type 4, width 45 mm	<b>242</b>